

2050 Processing Unit

S123-0420-4

PREFACE

This Illustrated Parts Catalog (IPC) contains listings and illustrations of all replaceable assemblies, subassemblies and detail parts released to Production Control on or before July 20, 1970, for the 2050 Processing Unit.

This 2050 Processing Unit Parts Catalog revision, Order No. S123-0420-4, obsoletes the previous level edition, Order No. 123-0420-3.

Requests for copies of IBM publications should be made to your IBM representative or to the IBM branch office serving your locality.

This manual has been prepared by the IBM Systems Development Division, Product Publications, Dept. B97-Parts Catalog Center, P.O. Box 390, Poughkeepsie, New York 12602

A form is provided at the back of this publication for reader's comments. If the form has been removed, comments may be sent to the above address.

HOW TO USE A PARTS CATALOG	iii	Figure	Page
VISUAL INDEXES			
I. COVERS (2 sheets)	v	V. POWER DISTRIBUTION FRAME -03 (10 sheets)	xiv
Figure	Page	Figure	Page
1 Cover and Shipping Groups (7 sheets)	1	29 Electrical Power Group -60 HZ	93
2 Console Tables, LH and RH	17	30 Electrical Power Group -50 HZ	96
II. C. E. PANELS (2 sheets)	vii	31 Line Loss Detection Assembly	99
4 1052 Adapter	19	31A Board Assembly-Line Loss Detection	100
5 C. E. Panel Assembly	21	32 Filter Box Assembly	101
6 Panel B Assembly	25	33 75 Amp Converter Inverter Assembly	103
7 Panel A Assembly	26	33A 75 Amp Converter Inverter Assembly	106
8 Panel G Assembly	29	33B 75 Amp Inverter Section Assembly (2 sheets)	109
9 Panel F Assembly	31	34 Upper Cover Resistor Assembly	113
10 Panel L Assembly	33	35 75 Amp Converter Assembly	114
11 Panel N Assembly	35	36 75 Amp Inverter Section Assembly (2 sheets)	118
12 Panel M Assembly	37	37 Tub and Liner Assembly	122
III. CPU FRAME -01 (2 sheets)	ix	38 Fan Assembly	123
13 CPU Final Assembly	40	39 Fan Assembly	125
14 Memory Assembly	43	40 50/60 HZ Fan Assemblies	126
15 CPU Frame Assembly	45	41 Final Assembly, Power Group 50/60 HZ (5 sheets)	128
16 Cooling Unit Assemblies	49	41A Emergency Power-Off Control Assembly	140
17 A Gate Assembly	51	42 Divider Assembly	142
18 B Gate Assembly	54	43 6 VDC at 2.5 Pwr Supply Assembly	144
19 C/D Gate Assembly	57	44 3V, 6V Overvoltage	147
20 E Gate Assembly	60	45 Terminal Board-Remote O/V-O/C	149
IV. MEMORY STORAGE FRAME -02 (3 sheets)	xi	46 Remote O/V-O/C Assembly	150
21 64K, 128K and 256K Core Storage Assemblies	63	47 3V at 40 Amp Magnetic Amplifier Assembly	151
22 Memory Assembly (2 sheets)	67	47A 3V at 40 Amp Magnetic Amplifier Assembly	154
23 Core Storage Housing Assembly	71	48 6V at 40 Amp Magnetic Amplifier Assembly	157
24 Array Assembly	73	49 6V at 40 Amp Magnetic Amplifier Assembly	160
24A 64K Array Assembly	75	50 18 VDC at 11 Amp and 30 VDC at 5 Amp Power Supply Assemblies	163
25 Logic Frame Assembly	78	51 3V at 20 Amp Magnetic Amplifier Assembly	167
26 Logic Cooling Housing Assembly	81		
27 CROSS and ROS Memory Storage Final Assembly (2 sheets)	83		
28 1 Fan Cooling Unit Assembly -60 HZ	89		
28A 1 Fan Cooling Unit Assembly -50 HZ	91		
16 Cooling Unit Assemblies	49		

CONTENTS (CONT)

Figure		Page	Figure		Page
51A	6V at 25 Amp Magnetic Amplifier Assembly	170	76	Relay Gate Assembly	234
52	56V at 4 Amp Magnetic Amplifier Assembly	173	77	Component Assembly	236
53	60V at 8 Amp Power Supply Assembly	176	78	50/60 HZ Fan Assemblies	237
54	12 P/M 6 VDC at 5A O/V-O/C Power Supply Assembly	179	67	Remote O/V-O/C Assembly	208
55	48V at 2 Amp Magnetic Amplifier Assembly	182	68	60V at 8 Amp Power Supply Assembly	209
56	Overvoltage Assembly	185	69	56V at 4 Amp Magnetic Amplifier Assembly	212
57	Overvoltage Power-Supply Assembly	187	70	Remote O/V-O/C Assembly	215
58	Gate Relay Assembly	188	71	18 VDC at 11 Amp Power Supply Assembly	216
59	5 Second Time Delay Assembly	190	72	3V at 40 Amp Magnetic Amplifier Assembly	219
60	I/O Interface Assembly	191	72A	3V at 40 Amp Magnetic Amplifier Assembly	222
61	Bell Assembly	192	73	Remote O/V-O/C Assembly	225
62	Relay Assembly	193	74	6V at 40 Amp Magnetic Amplifier Assembly	226
63	Connector Panel Assembly	194	79	Cable and Jumper Component Parts	239
64	Voltage Sense Assembly (2 sheets)	196			
70	Remote O/V-O/C Assembly	215		NUMERICAL INDEX	X-1
VI. 512K MEMORY FRAME -04					
	(2 sheets)	xxiv			
65	Frame 04 Final Assembly (2 sheets)	199			
66	512K Power Module Relay Panel Assembly	205			
67	Remote O/V-O/C Assembly	208			
68	60V at 8 Amp Power Supply Assembly	209			
69	56V at 4 Amp Magnetic Amplifier Assembly	212			
70	Remote O/V-O/C Assembly	215			
71	18 VDC at 11 Amp Power Supply Assembly	216			
72	3V at 40 Amp Magnetic Amplifier Assembly	219			
72A	3V at 40 Amp Magnetic Amplifier Assembly	222			
73	Remote O/V-O/C Assembly	225			
74	6V at 40 Amp Magnetic Amplifier Assembly	226			
VII. 512K MEMORY POWER FRAME -05					
	(3 sheets)	xxvi			
75	Frame 05 512K Final Assembly 50/60 HZ (2 sheets)	229			

HOW TO USE THIS ILLUSTRATED PARTS CATALOG (IPC)

PART I

To find parts quickly, a general understanding of the structure of this catalog is necessary. The catalog is divided into three major sections:

- The Visual Index, containing overall views of the machine, with call-outs pointing to detailed figures.
- The Catalog Section, containing a pictorial breakdown of assemblies and subassemblies.
- The Numerical Index, which is a numerical list of all parts used in the machine, with cross-references to the figure on which the part is found.

VISUAL INDEX

The Visual Index, located before the Catalog Section, contains a reduced illustration of every figure in the Catalog Section. The reduced illustrations are tied together with flow arrows to form a natural progression from large assemblies to small assemblies and possibly subassemblies. In effect, a visual table of contents is formed by the Visual Index illustrations.

CATALOG SECTION

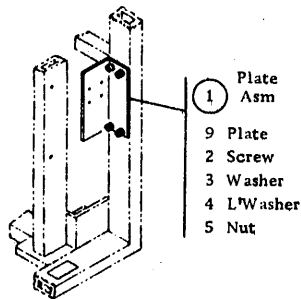
The Catalog Section contains the full-sized illustrations previously noted in the Visual Index. Index numbers on figures refer to corresponding entries in the Group Assembly Parts List accompanying each figure. Refer to part II for explanation of terms used in the Group Assembly Parts List.

NUMERICAL INDEX

The Numerical Index is located after the Catalog Section and contains a complete list, in numerical order, of all part numbers used on the machine. Listed with the part number is the index and figure number on which the part is illustrated. The numerical index makes it possible to locate a part when only the part number is known.

STACKED INDEX NUMBERS

Stacked Index numbers are used when showing a part and its attaching hardware. The sequence of a typical stack is shown at the right. The circled index number indicates the assembly is broken down within the figure.

ILLUSTRATION NOTES

Cross-reference notes are directly on the illustration. The illustration's next higher assembly reference, normally located in the upper left corner of the page will read: "For Parts Not Shown See Figure X". If an assembly is referenced to a lower level figure, the note located next to the index number will read: "See Figure X".

DOUBLE LINED DETAIL BOX

The double lined box differentiates between parts shown on the basic model and parts related to a level and/or feature difference. An explanation of the level or feature difference is given in the double lined box.

FINDING A PART

The Visual Index is the starting point for locating a part. The illustrations in the Visual Index are reduced versions of all illustrations in the Catalog Section; therefore, the illustrations can be used to find the assembly containing the desired part. Use references to the detailed figure in the Catalog Section, or to another Visual Index illustration, to determine location of part number.

Once the detailed figure in the catalog section is determined, finding the part on the figure and referring to the listing for the part number and description is all that is required in most cases. If the first catalog section figure referenced shows the assembly containing the required part, the index number for the assembly will reference a lower-level figure where the assembly is broken down to its component parts. If the figure referenced by the Visual Index contains neither the part nor an assembly containing the part, it is then necessary to go to the next higher assembly figure. This figure should then contain the part or an assembly containing the part; if not, an even higher level figure must be used. Refer back to the Visual Index for some other figure that could show the desired part.

Note: Many detailed parts are unavailable, because they are part of an inseparable assembly (two or more parts welded or bonded together), or because they are part of an assembly purchased as a unit. If parts are found on a welded or bonded assembly, the following note follows the description of the assembly: "Assembly components are not replaceable." If the part is found on a purchased assembly, and the detail parts of this assembly do not have IBM part numbers, the note following the assembly description will read: "Assembly components are not available." In either case, you need to obtain the part number of the assembly, rather than the detailed part.

EXAMPLE FOR ORDERING PARTS

			REF
4 -	5726422	FAN ASM-P/S ENCLOSURE FOR NEXT HIGHER ASSEMBLY SEE FIGURE 1-184 FOR ILLUSTRATION SEE FIGURE 4	
- 1	334921	TERMINAL RING - 18-22 AWG, #6 HOLE, INS	2
- 2	187854	SHIELD, TERMINAL BLOCK - 2 POS	1
- 3	210984	SCREW, RD HD MACH-8-32 X .250 LG	ATT PT 1
- 4	5357050	FAN ASM-NO CONNECTOR	1
- 5	32042	SCREW, MACH BIND. HD 10-32 X .375 LG	ATT PT 2
- 6	5357066	BLADE	1
- 7	5357067	MOTOR 208V/230V 60CY 220V 50CY	1
- 8	130434	SCREW, MACH-SLOTTED HEX HD 10-32 X .375 LG	ATT PT 2
- 9	56079	WASHER, LOCK-EXT T .195ID .410 OD	ATT PT 2
- 10	5726436	HEADER-POWER SUPPLY FAN	1

If the entire fan is required, part number 5726422 should be ordered (all one dot items will be received). If only the subassembly is required, part number 5357050 should be ordered (all two dot items will be received). Each part may be ordered individually.

HOW TO USE THIS ILLUSTRATED PARTS CATALOG (IPC)

PART II

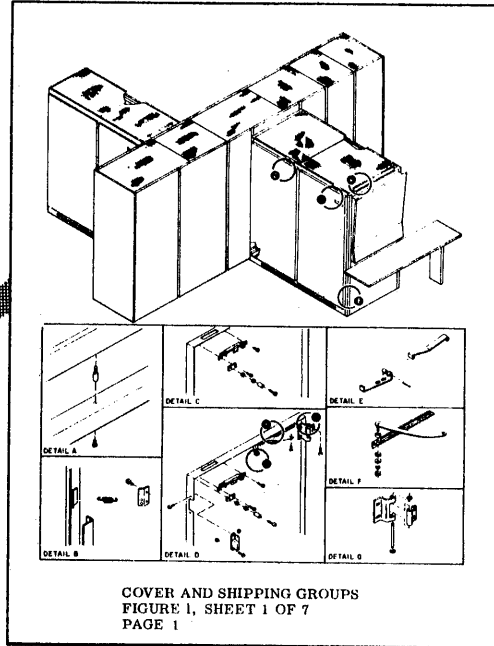
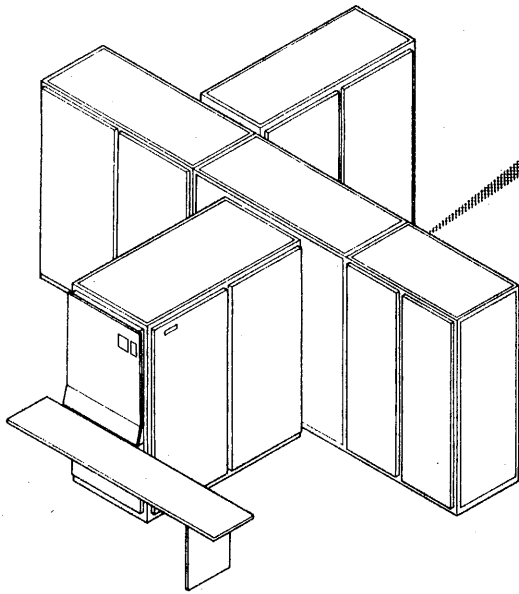
- ① **AR**
As Required (AR) in the units per assembly column denotes that the quantity is used as required.
- ② **ATT PT**
Attaching Parts: These parts are used to attach a subassembly to an assembly. The attaching parts are listed immediately following the part to be attached.
- ③ **COMM**
Commercial hardware: When this indication appears in the part number column, it denotes hardware procurable from normal commercial sources and not identified by an IBM part number.
- ④ **INDENTURE**
The relationship of a part to its next higher assembly is indicated by indentures. For example:

1	2	3	4
Unit			
·	Assemblies and Detail Parts of Unit		
·	Attaching Parts for Assemblies & Detail Parts		
·	·	Subassemblies	
·	·	Attaching Parts for Subassemblies	
·	·	Detail Parts for Subassemblies, etc.	
- ⑤ **□ LOZENGE**
The lozenge in the part number column denotes the part is procurable but not recommended for field replacement, and that the next higher assembly should be ordered.
- ⑥ **NP**
The entry NP in the part number column denotes the assembly is non-procurable and the detail parts should be ordered separately.

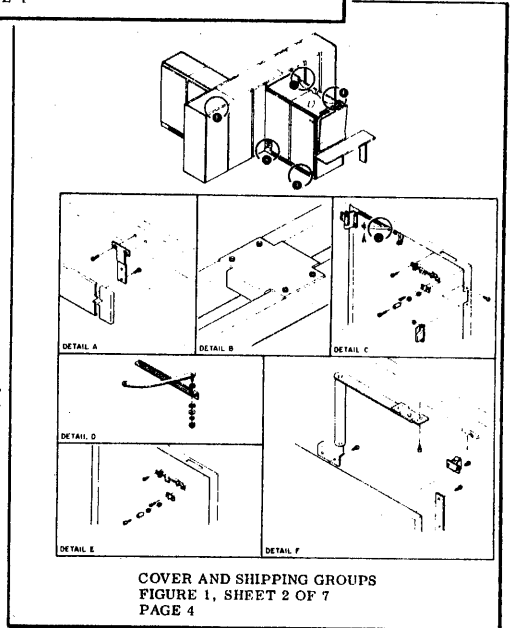
- ⑦ **NO NO.**
When this indication appears in the part number column, it denotes a group of parts for which no assembly part number has been assigned, and the detail parts should be ordered separately.
- ⑧ **REF**
This entry in the units per assembly column denotes an assembly which is completely assembled on a preceding illustration. Quantities for such items are found in its next higher assembly.
- ⑨ **SIMILAR ASSEMBLIES**
If two assemblies contain a majority of identical parts, they are broken down on the same list. Common parts are shown by one index number. Parts peculiar to one or the other of the assemblies are listed separately and identified by Usable On Code.
- ⑩ **USABLE ON CODE**
Part application and interchangeability is indicated by the usable on code. If this column is blank, the parts pertain to all equipment(s) covered. Two types of codes are used. The alphabetic code denotes similar assemblies and/or features; the numeric code denotes level. Refer to the beginning of each list for the explanation of the code(s).
- ⑪ **SUFFIX CODE**
The suffix code indicates the month (alphabetic) and the year (numeric) of the engineering change which affected interchangeability of the part.

EXAMPLE OF PARTS LIST

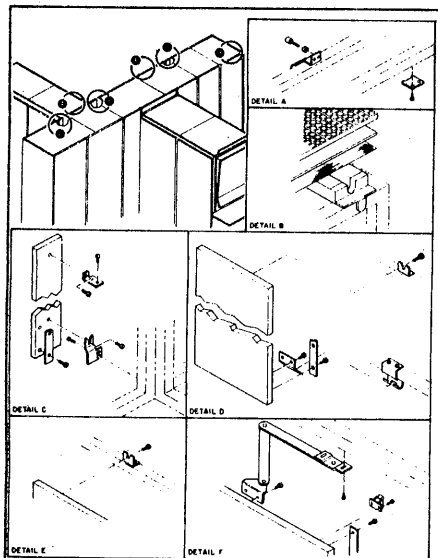
LIST AND INDEX NO.	PART NO.	DESCRIPTION				UNITS PER ASM.	USABLE ON CODE
		1	2	3	4		
		DRIVE MOTOR ASSEMBLY					
2-							
-	⑨ 2199376 NP ⑥			⑩	⑪	⑧	⑩
-	2199386 NP					REF	1A
-						REF	1B
- 1	2204176			④		①	A
- 1	2199255					1	B
- 2	79842					AR	
- 3	2204116 ⑦				②	1	A
- 4	NO NO. ⑦					1	B
- 5	5526					4	
- 6	2204082 ③				ATT PT	1	
- 7	2204033				ATT PT	1	
- 8	COMM					1	
- 8	2199258 ⑤					1	
- 9	2199401 □					1	A
- 9	2199402 □					1	B



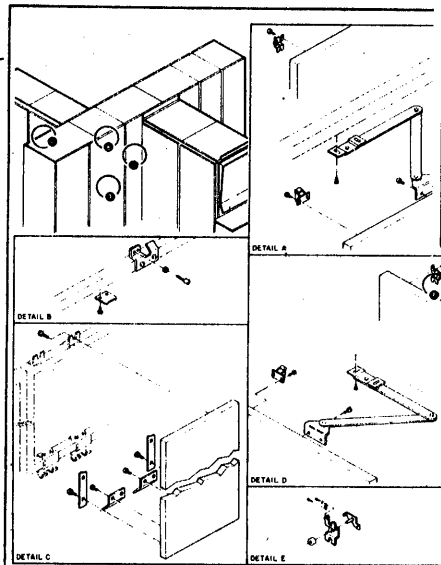
COVER AND SHIPPING GROUPS
FIGURE 1, SHEET 1 OF 7
PAGE 1



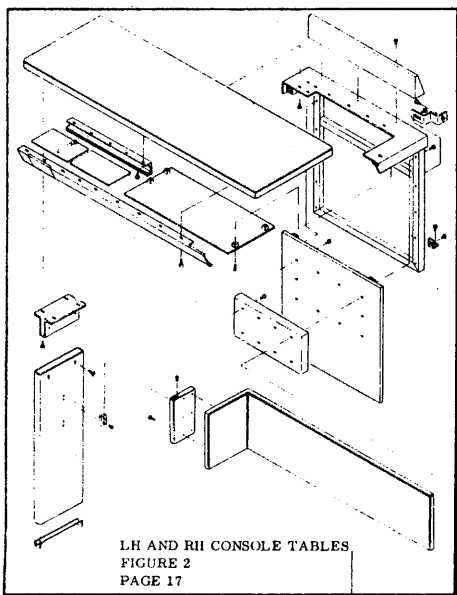
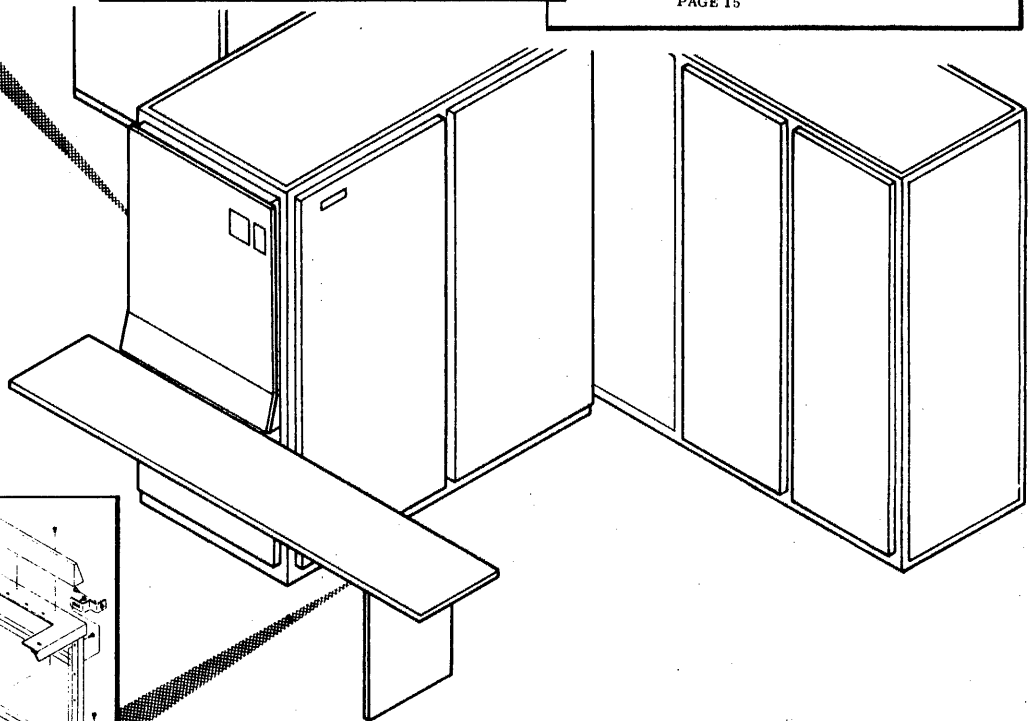
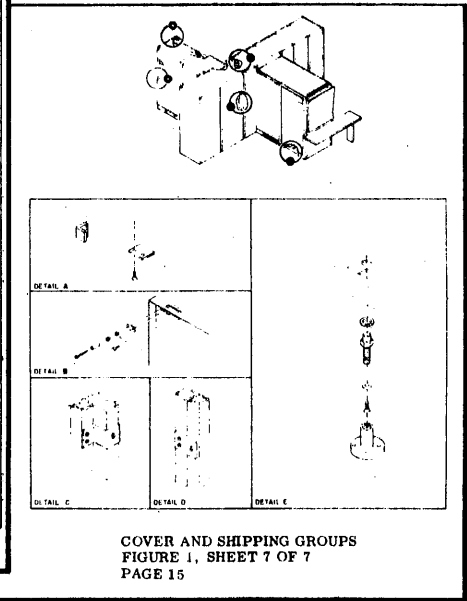
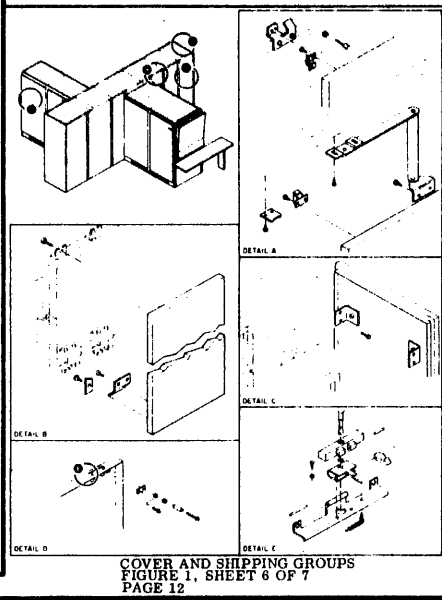
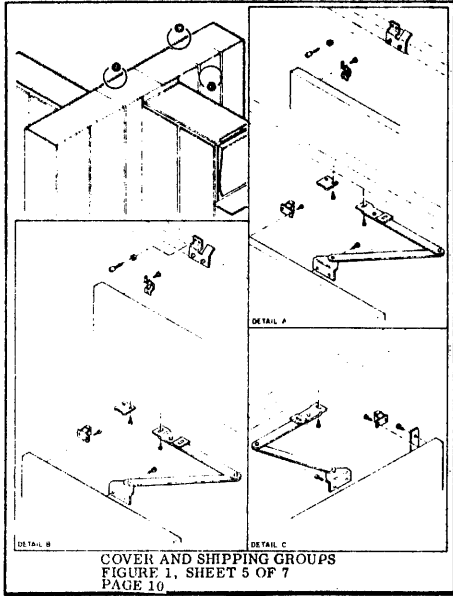
COVER AND SHIPPING GROUPS
FIGURE 1, SHEET 2 OF 7
PAGE 4

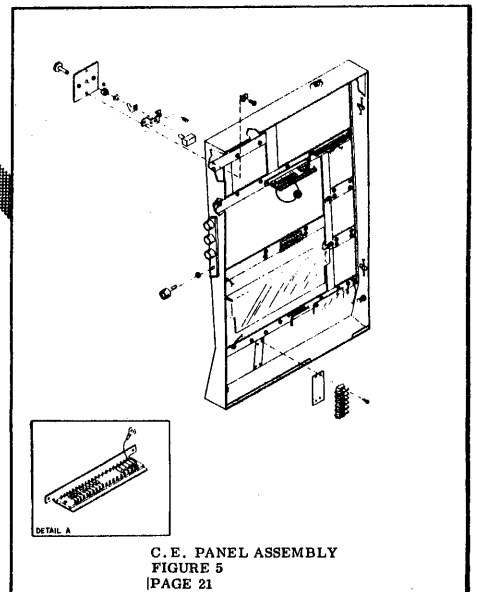
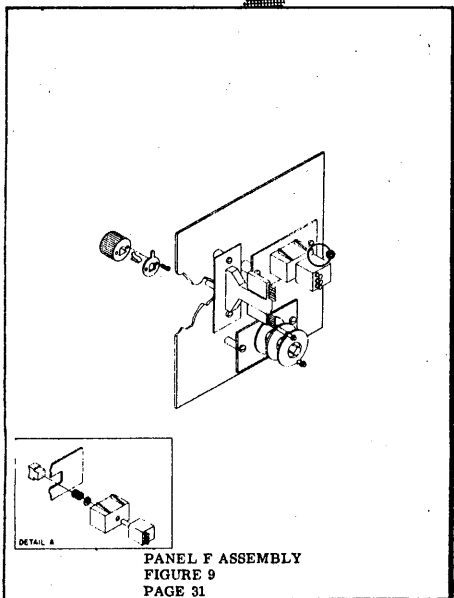
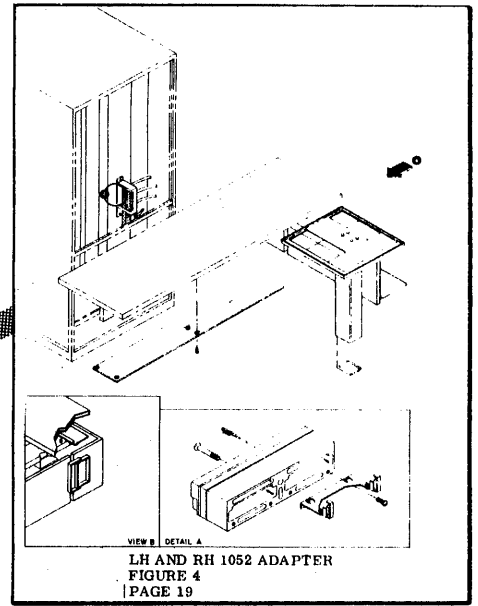
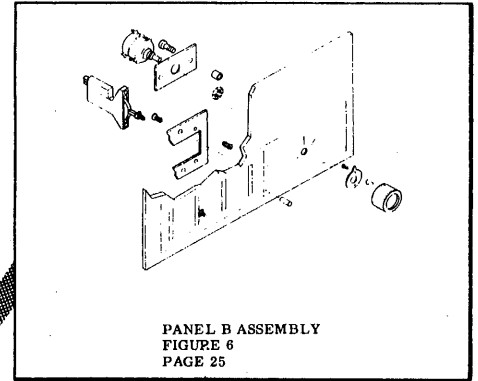
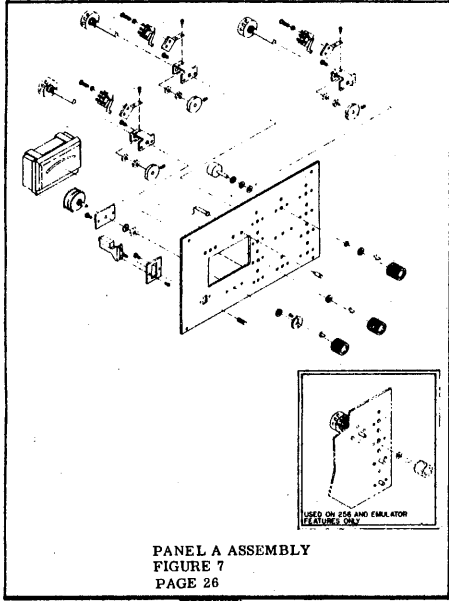


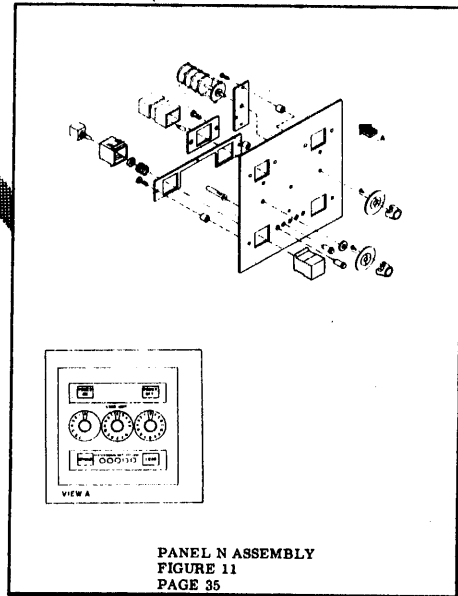
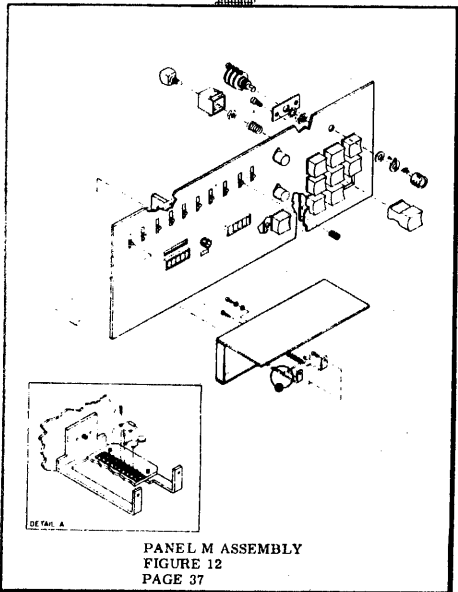
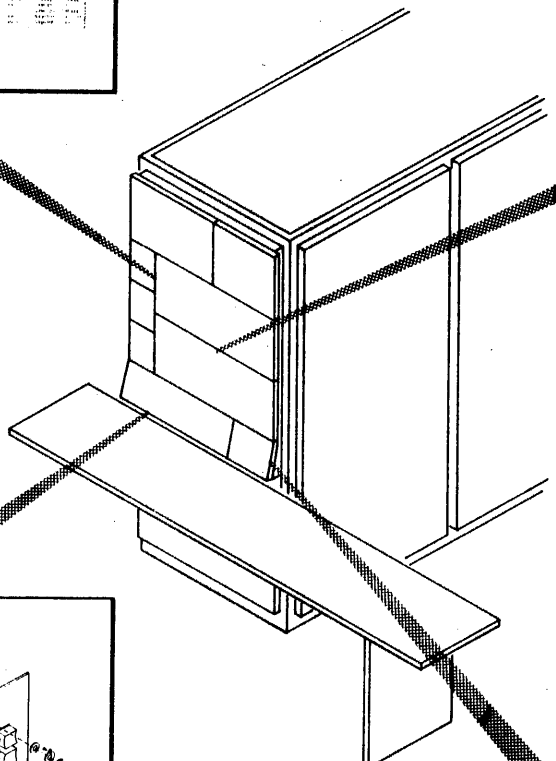
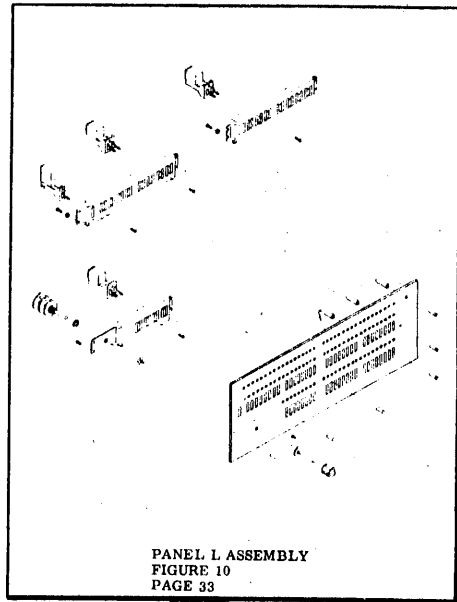
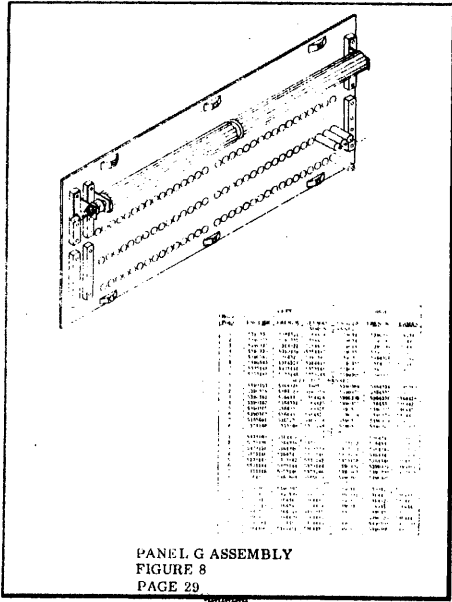
COVER AND SHIPPING GROUPS
FIGURE 1, SHEET 4 OF 7
PAGE 8

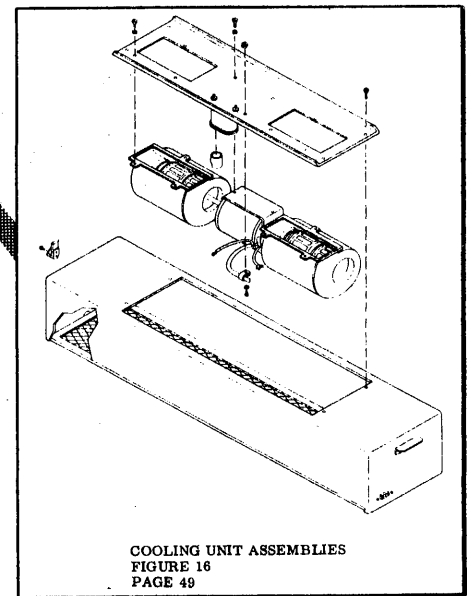
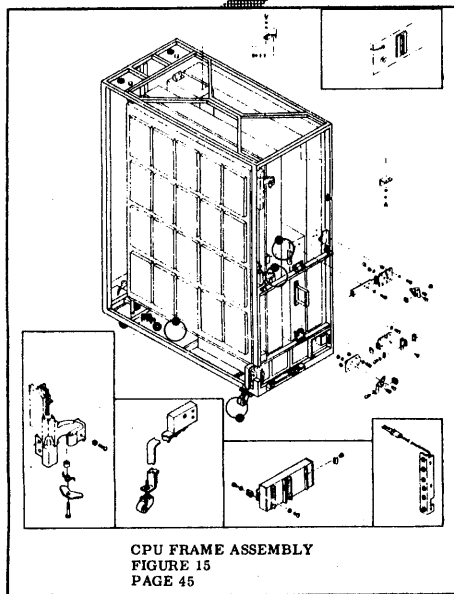
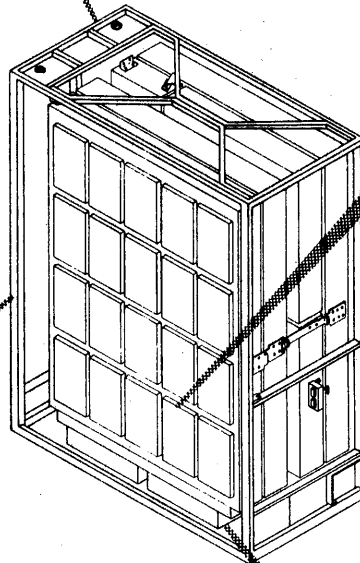
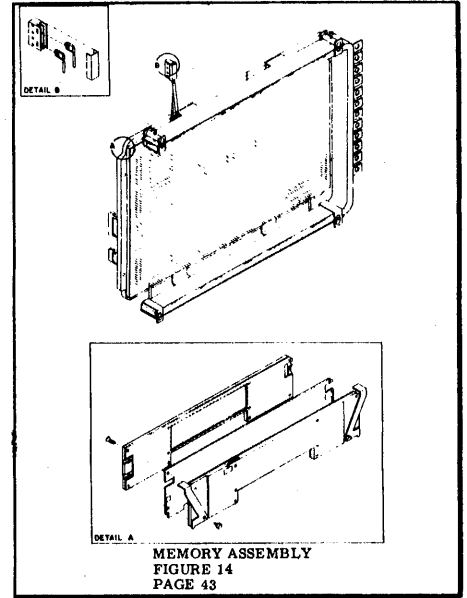
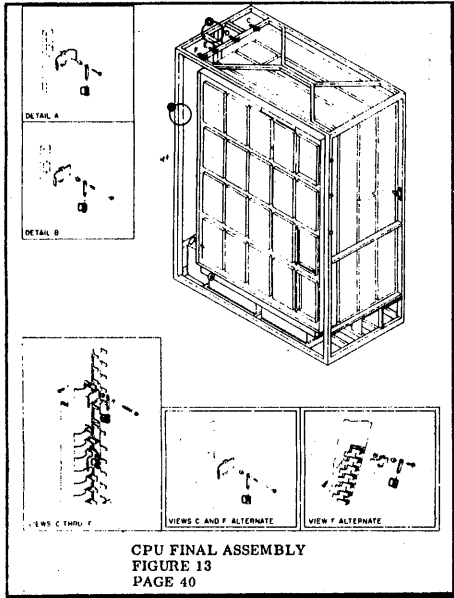


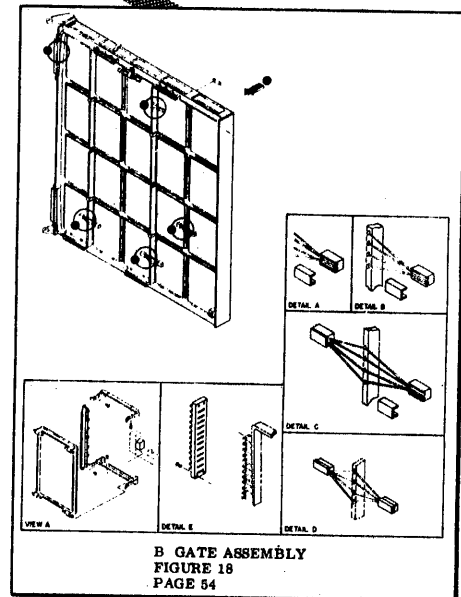
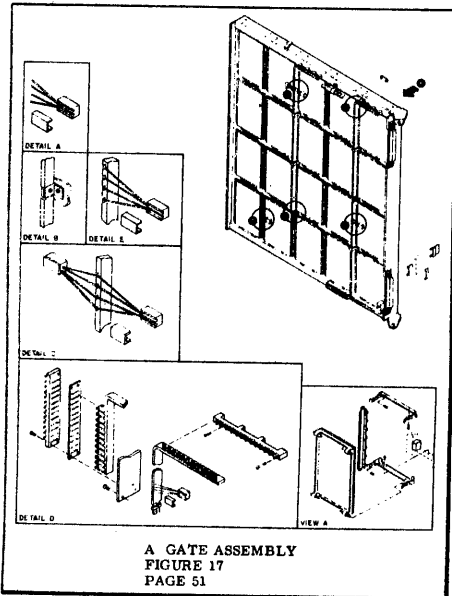
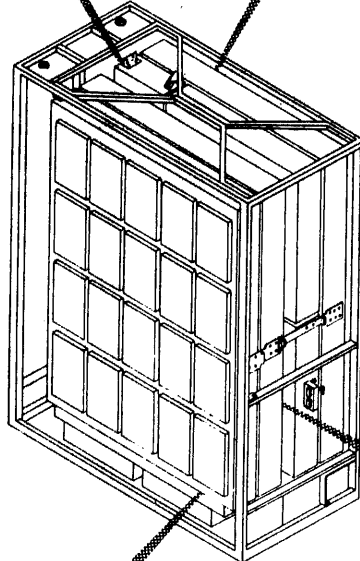
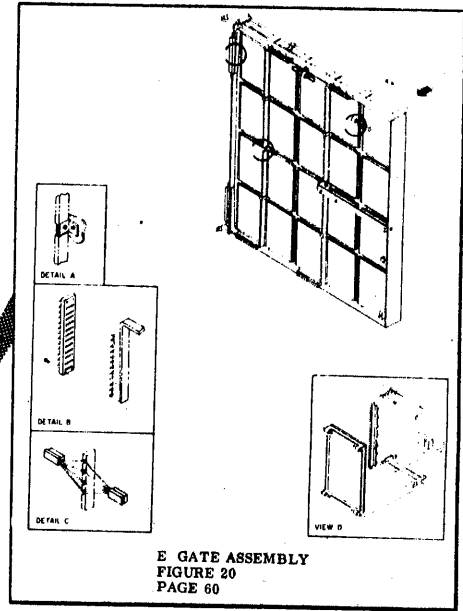
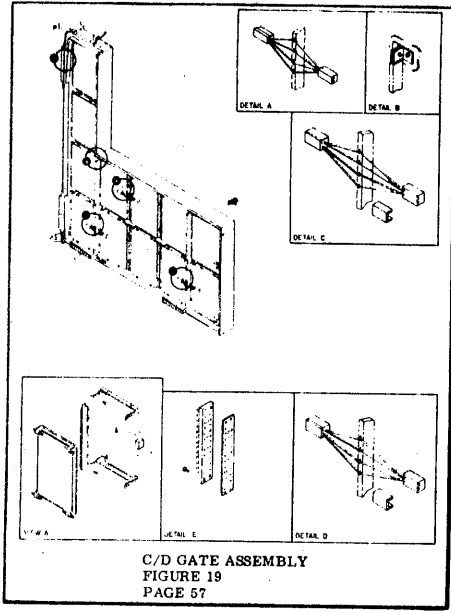
COVER AND SHIPPING GROUPS
FIGURE 1, SHEET 3 OF 7
PAGE 6

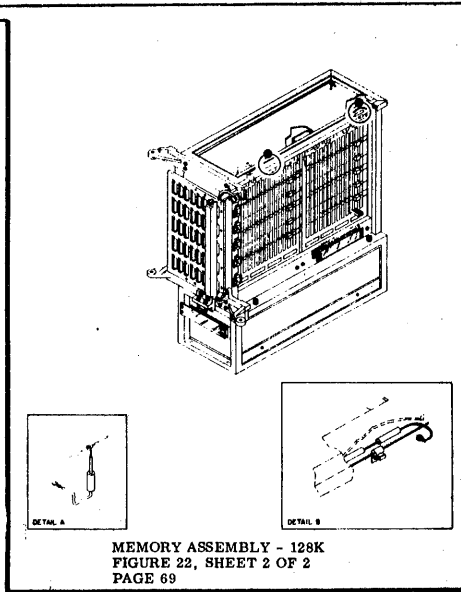
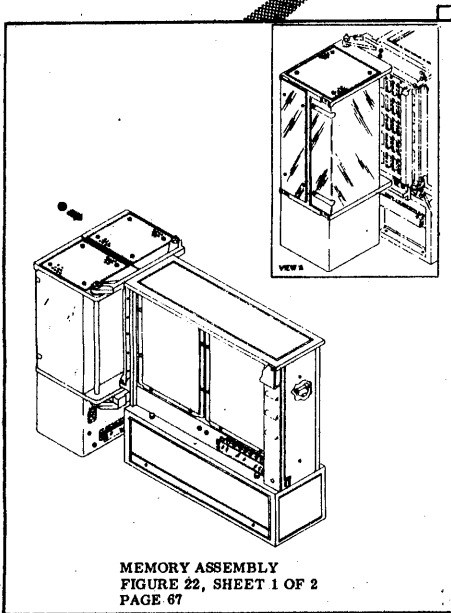
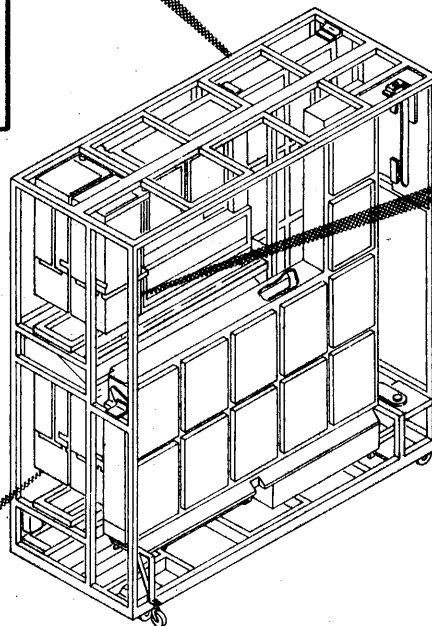
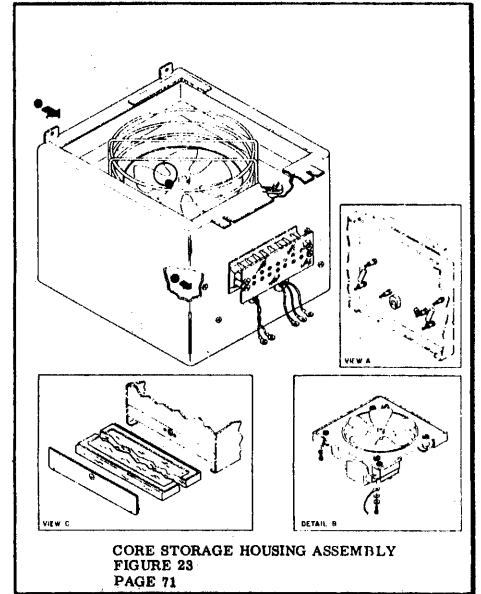
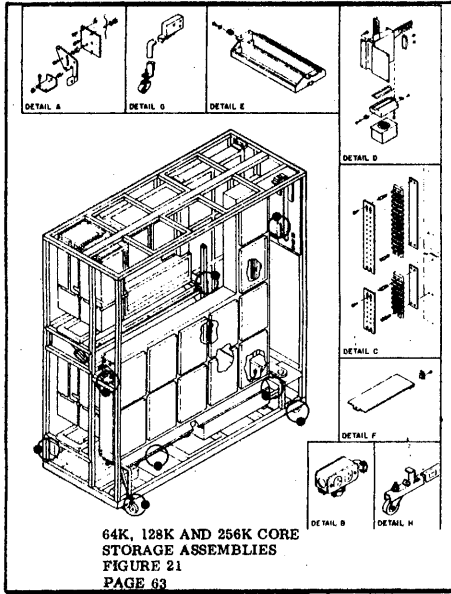


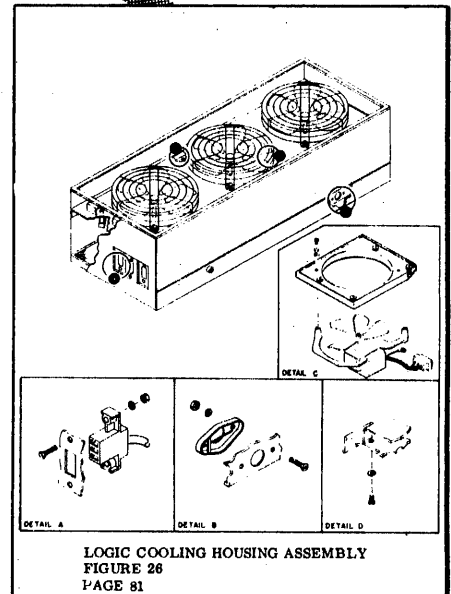
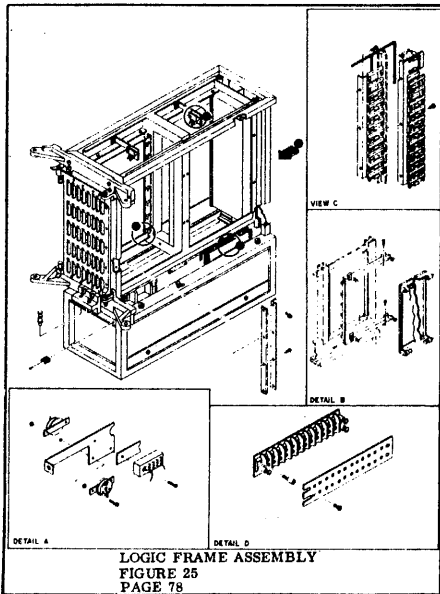
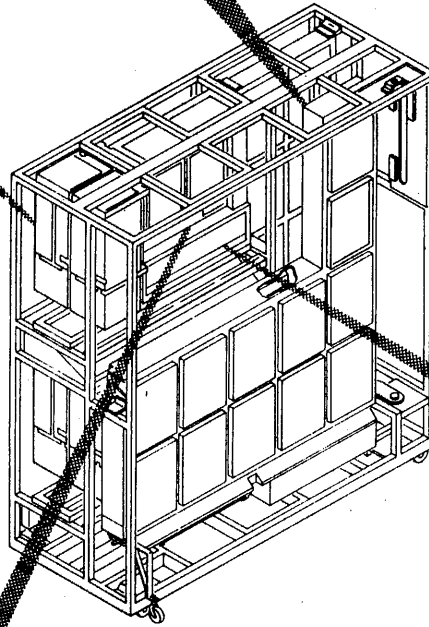
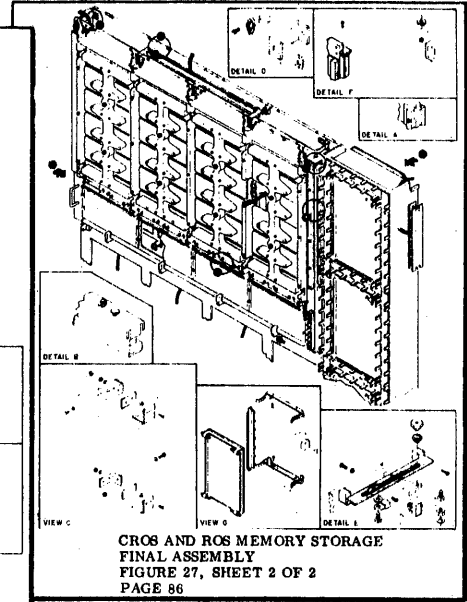
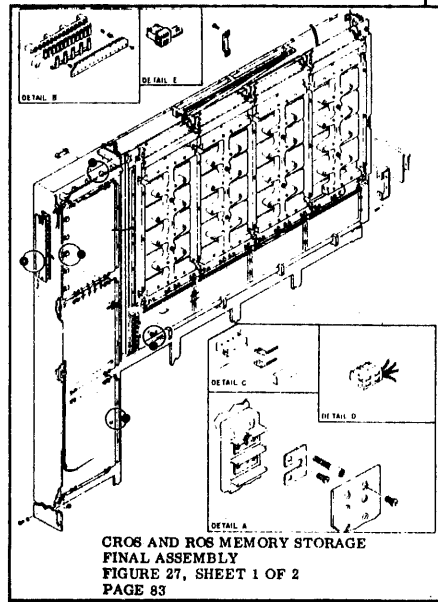
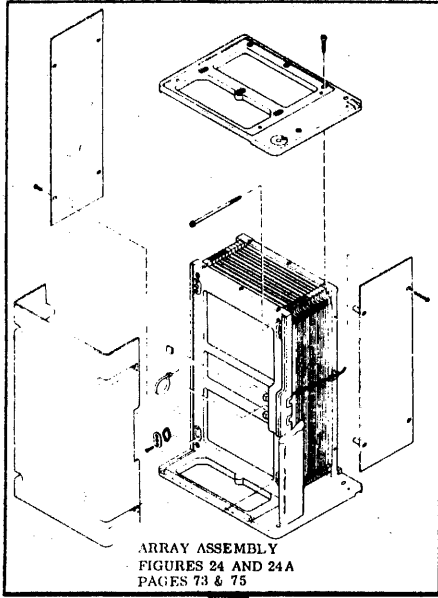


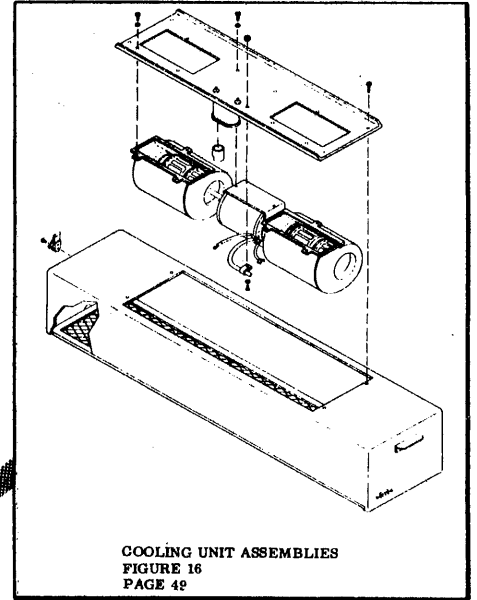
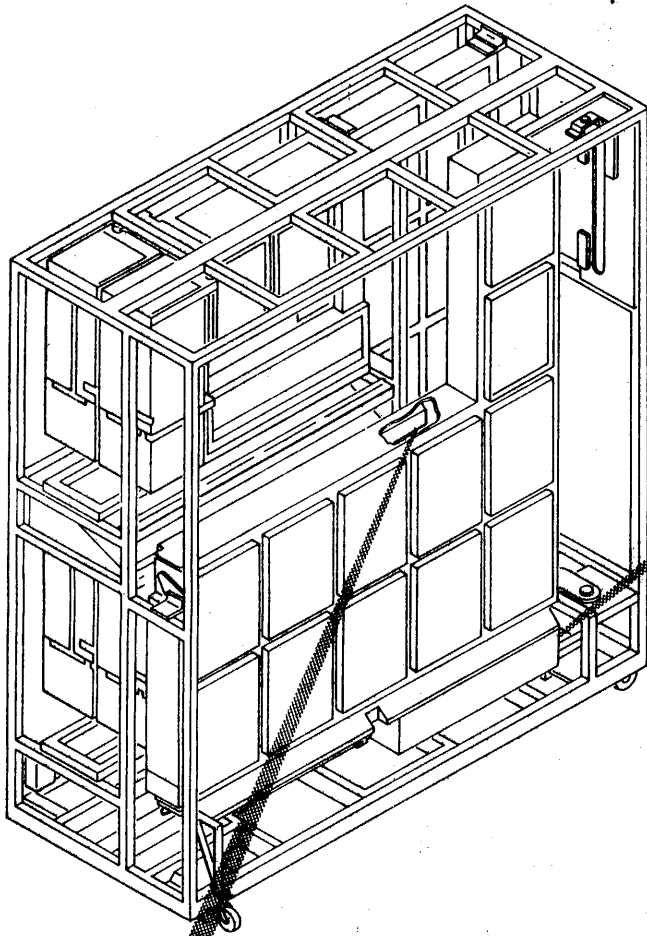




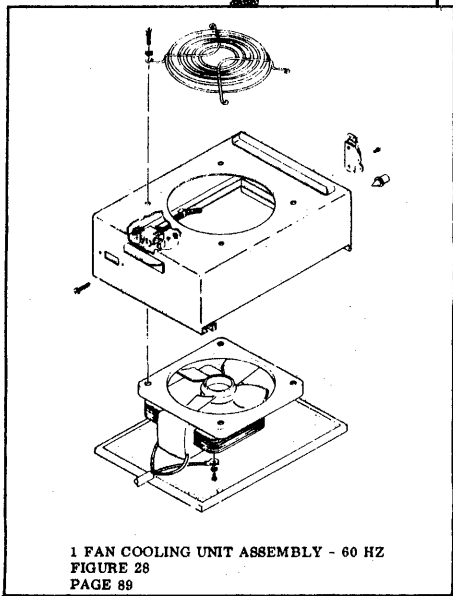




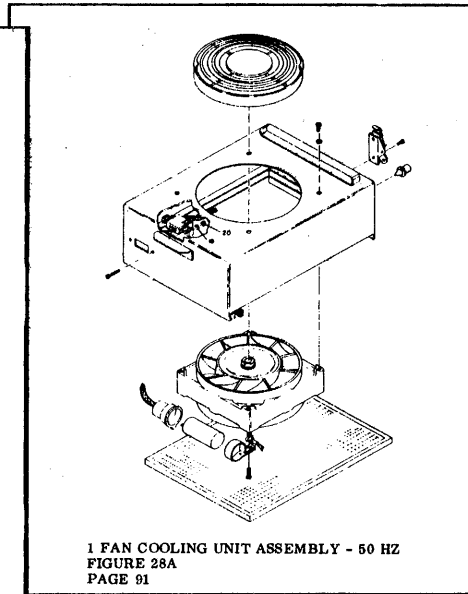




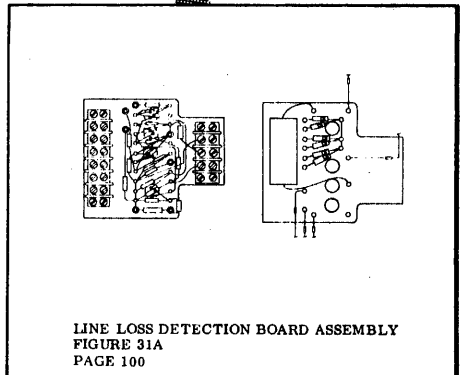
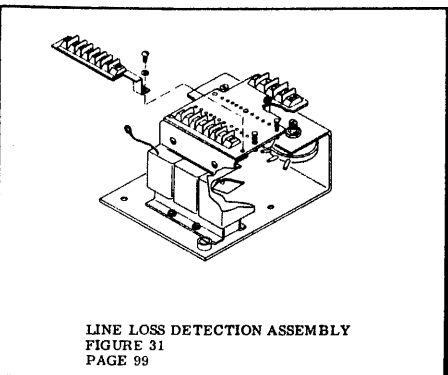
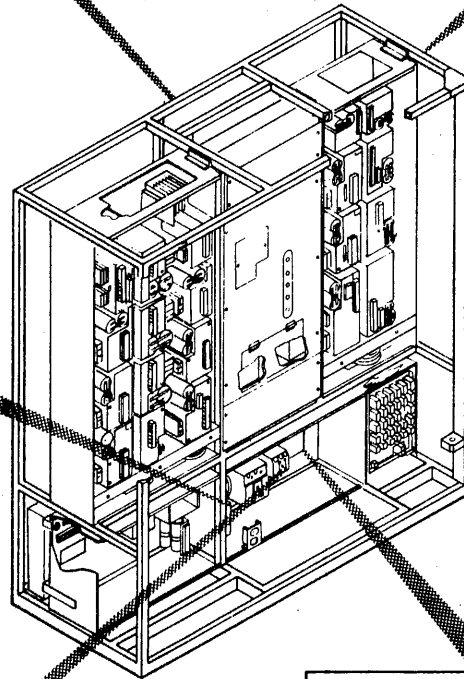
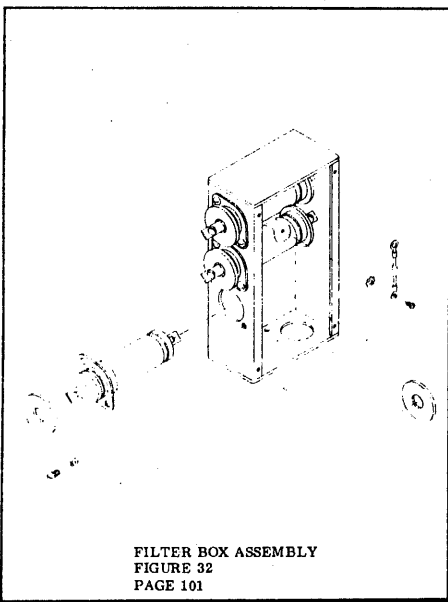
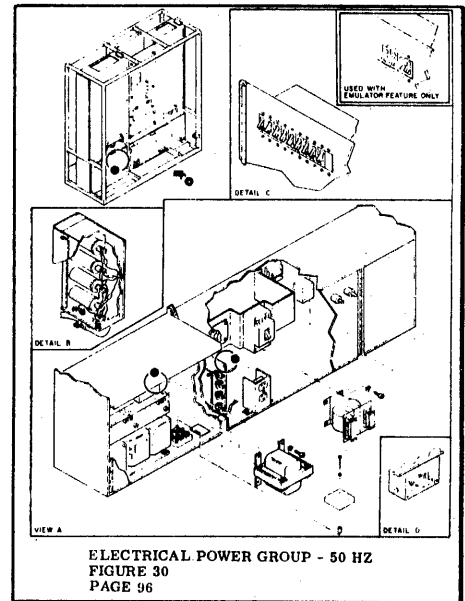
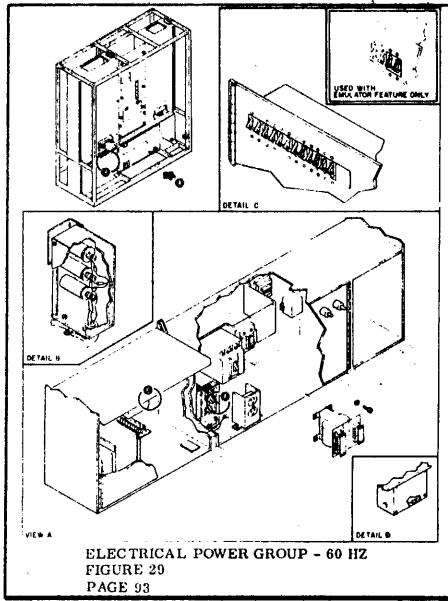
COOLING UNIT ASSEMBLIES
FIGURE 16
PAGE 48

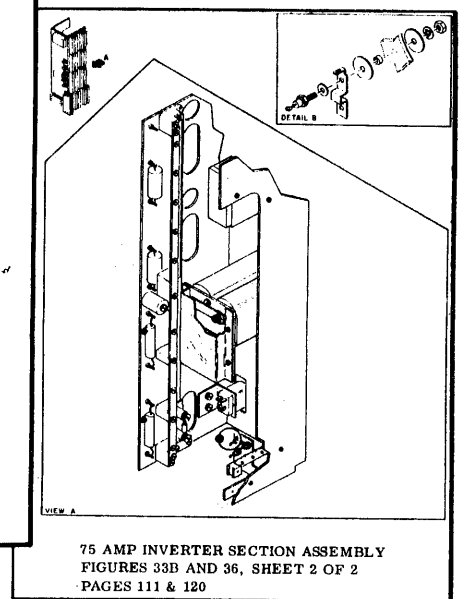
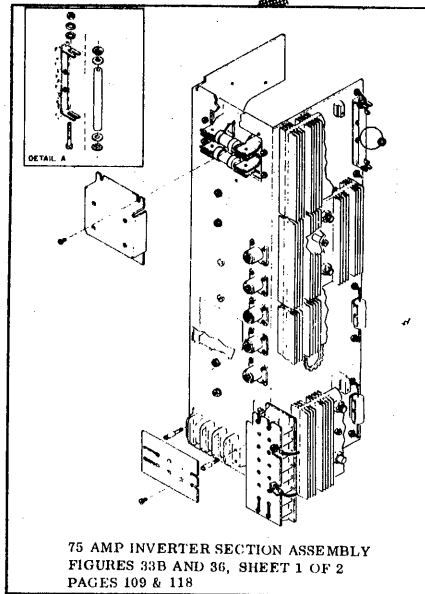
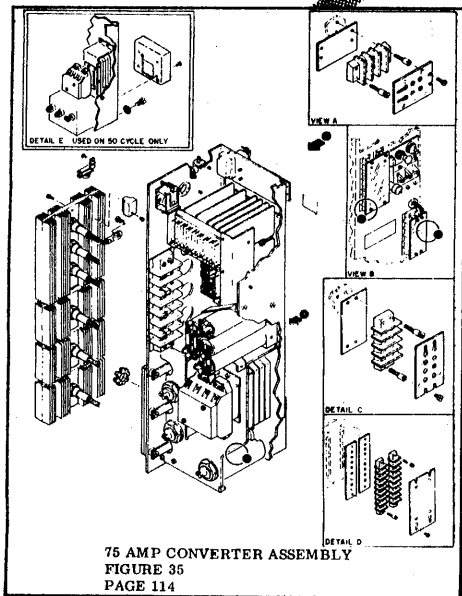
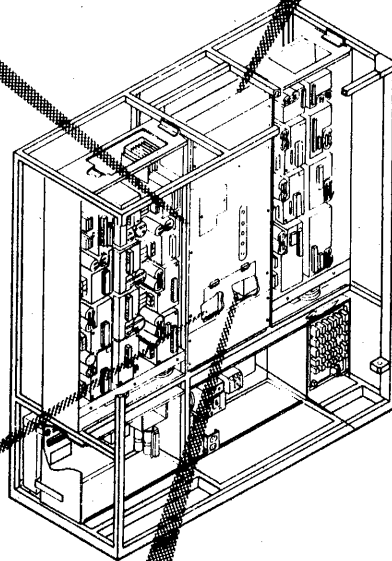
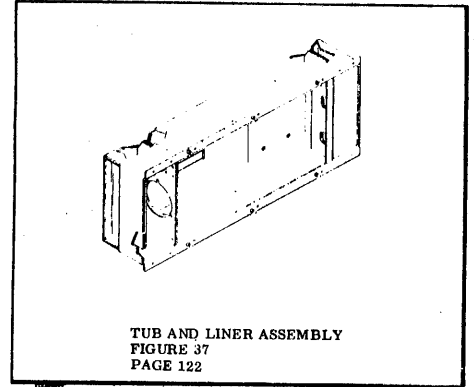
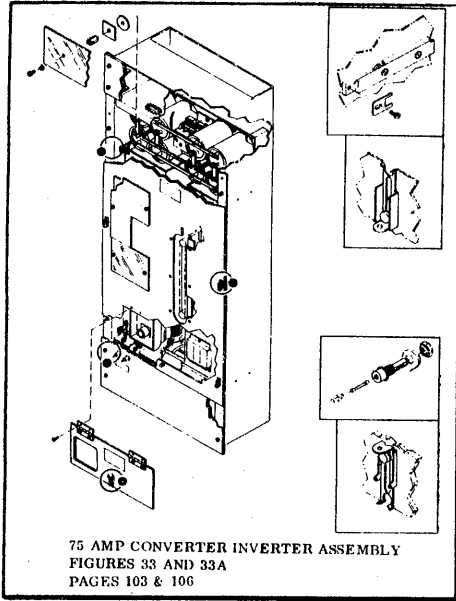


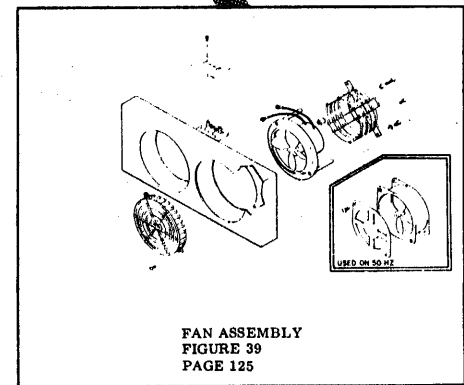
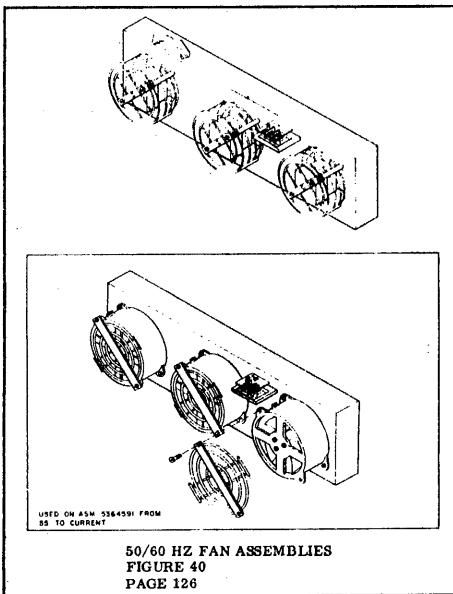
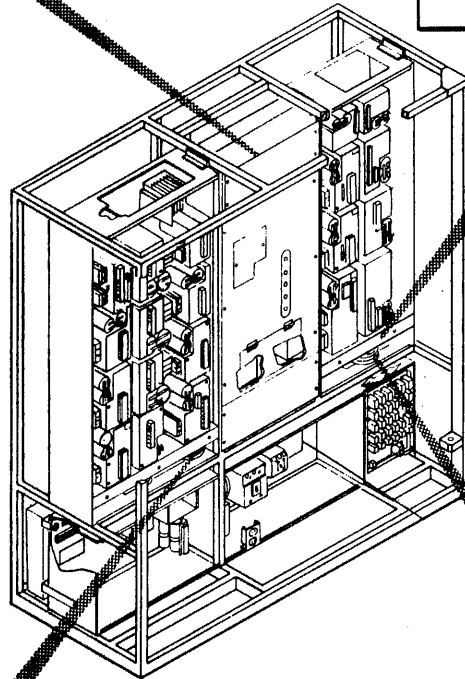
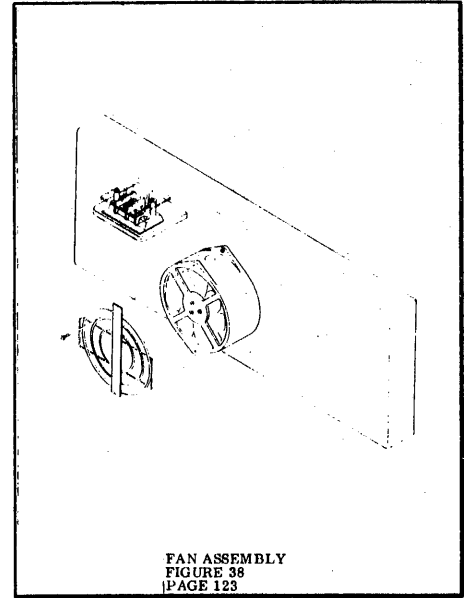
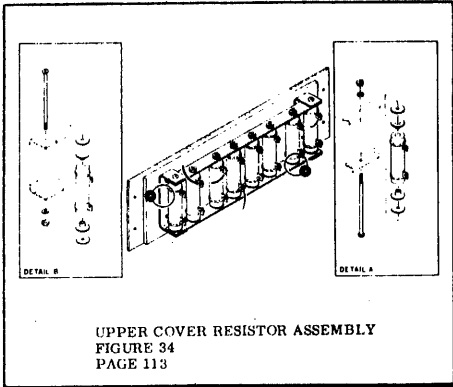
1 FAN COOLING UNIT ASSEMBLY - 60 HZ
FIGURE 28
PAGE 89

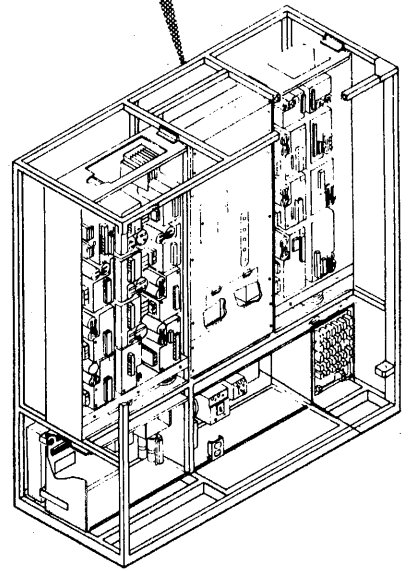
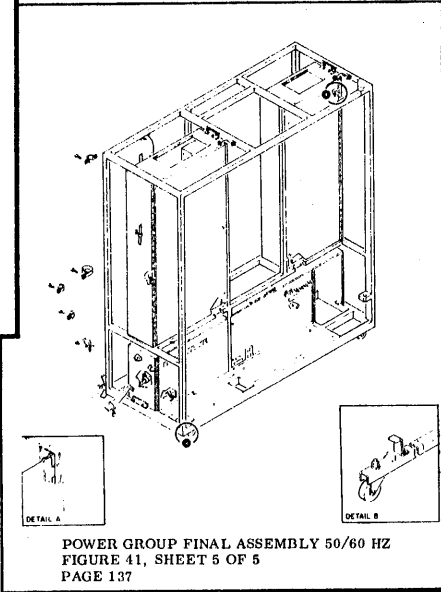
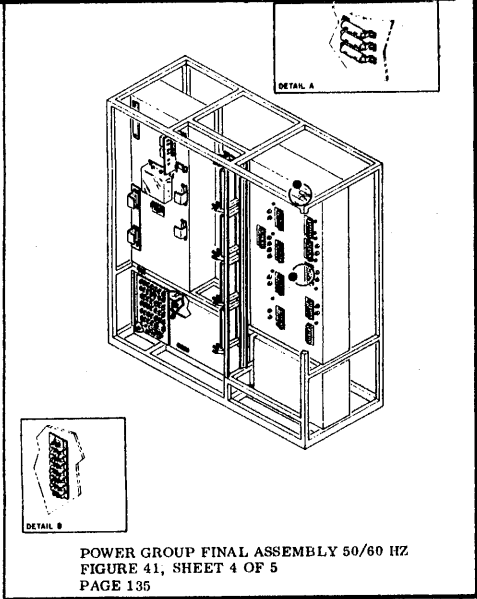
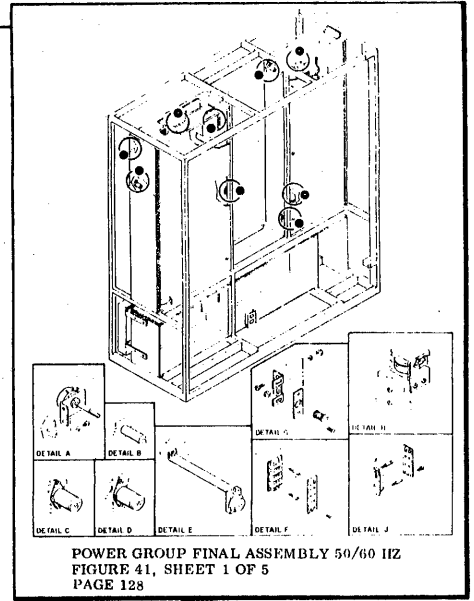
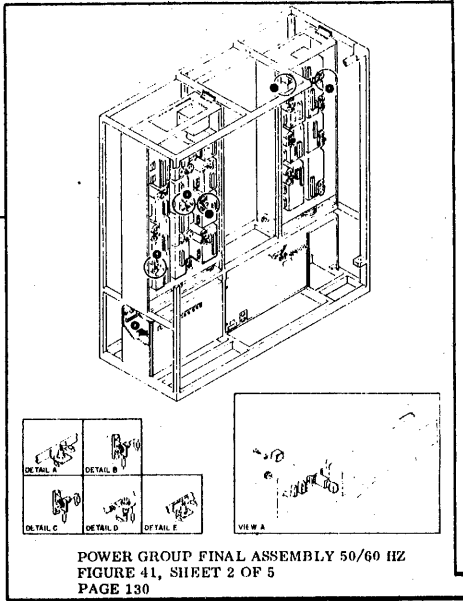
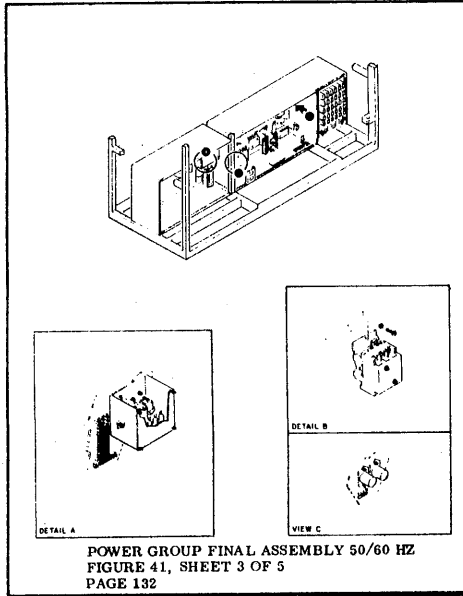


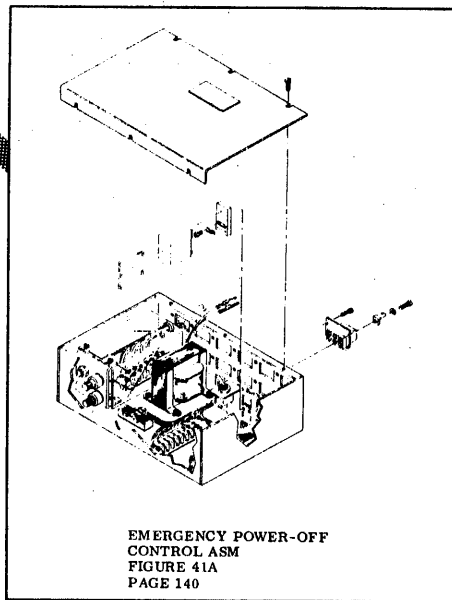
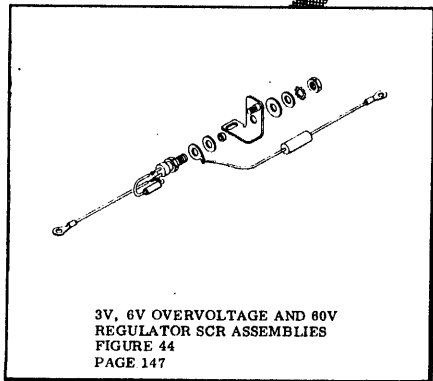
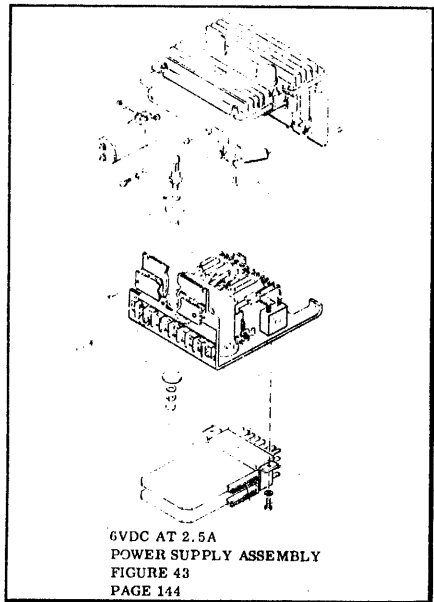
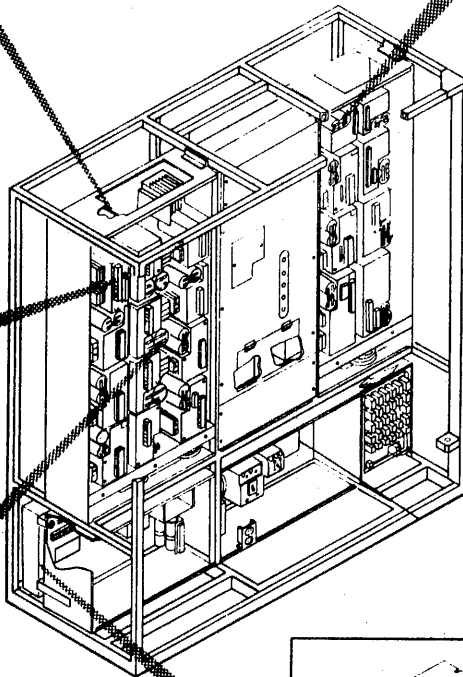
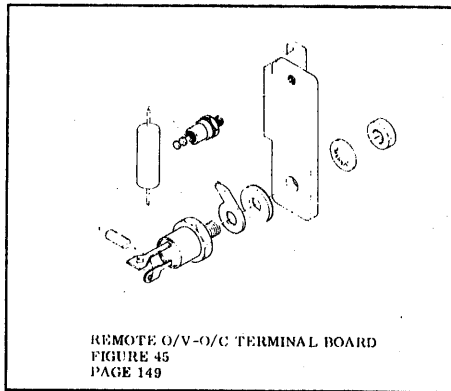
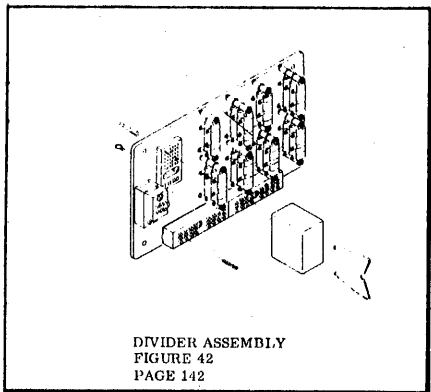
1 FAN COOLING UNIT ASSEMBLY - 50 HZ
FIGURE 28A
PAGE 91

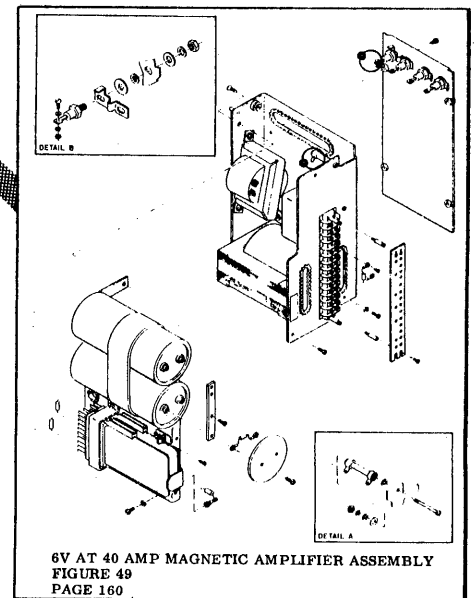
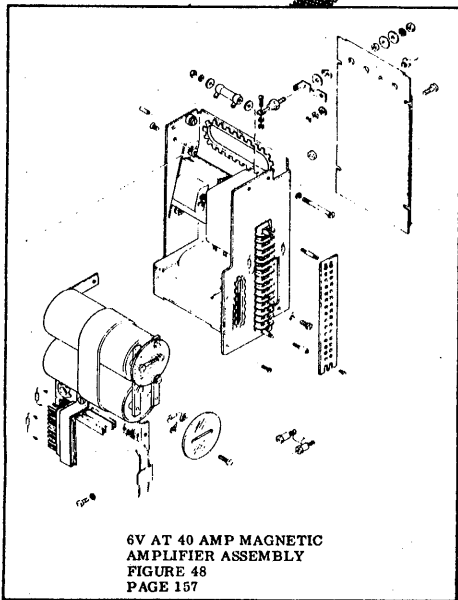
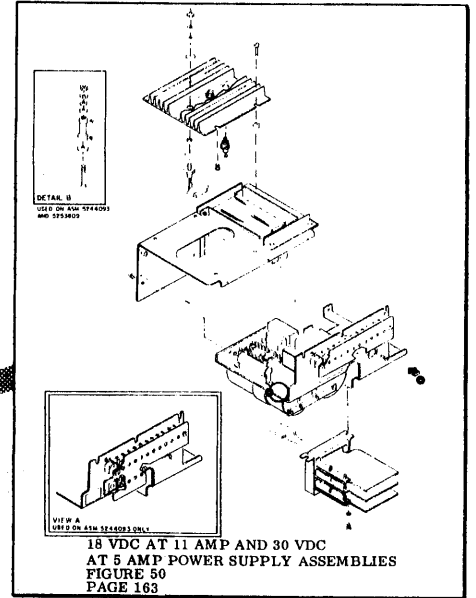
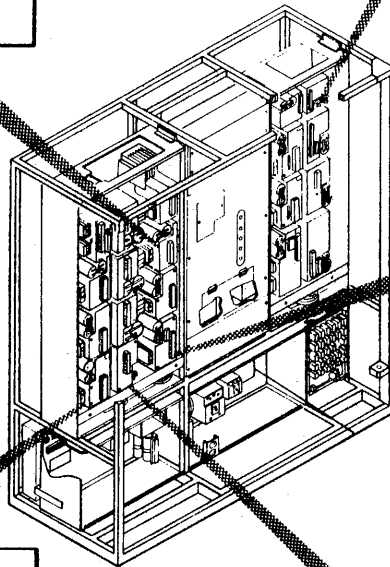
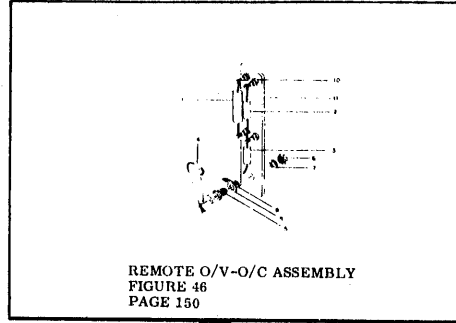
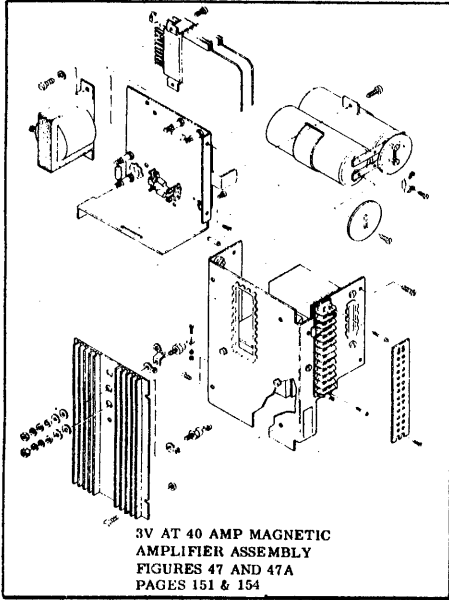


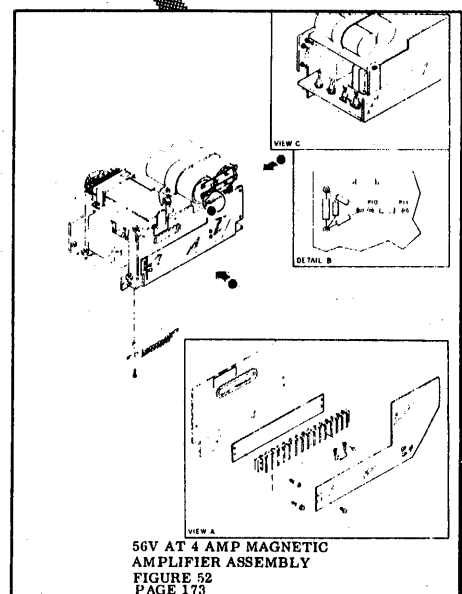
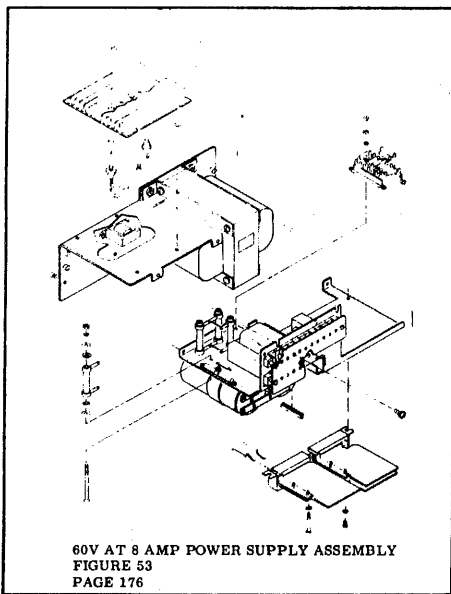
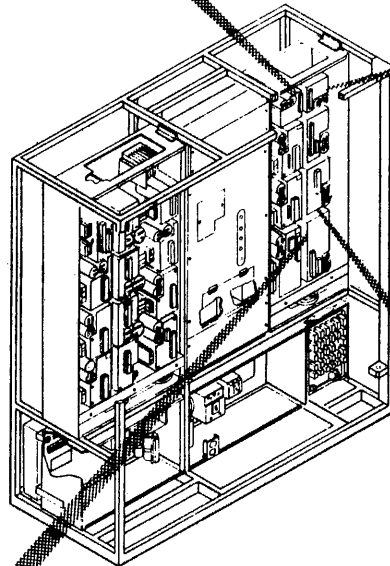
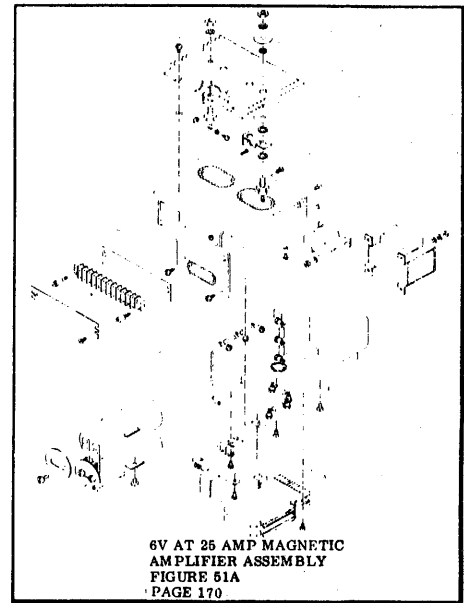
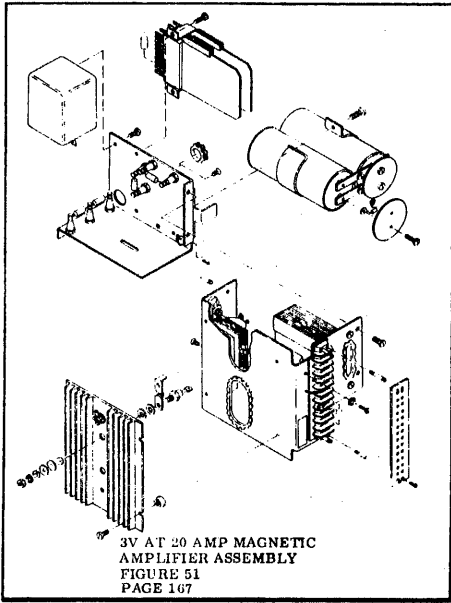


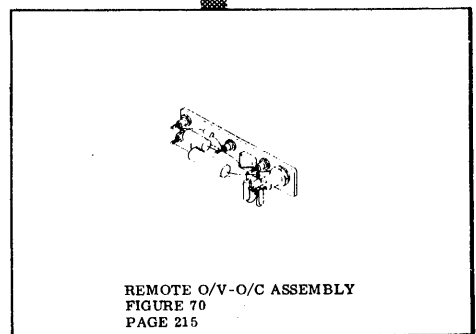
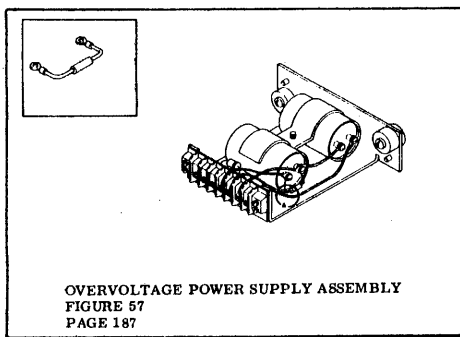
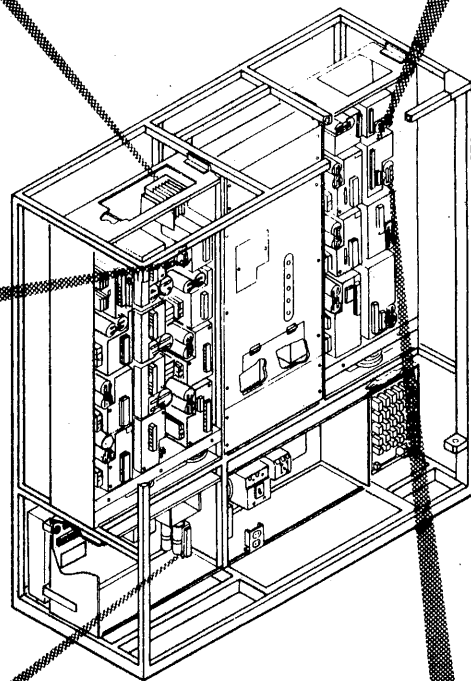
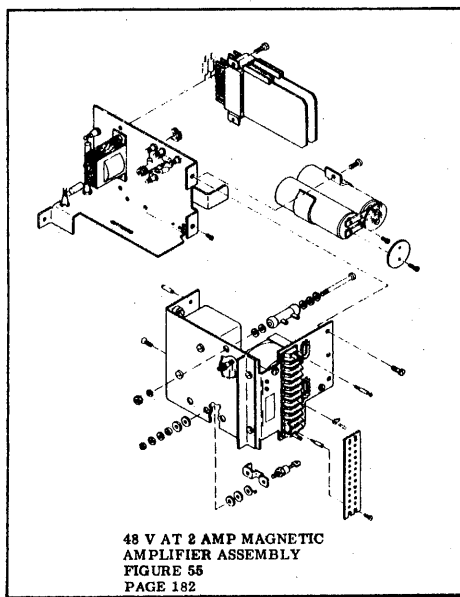
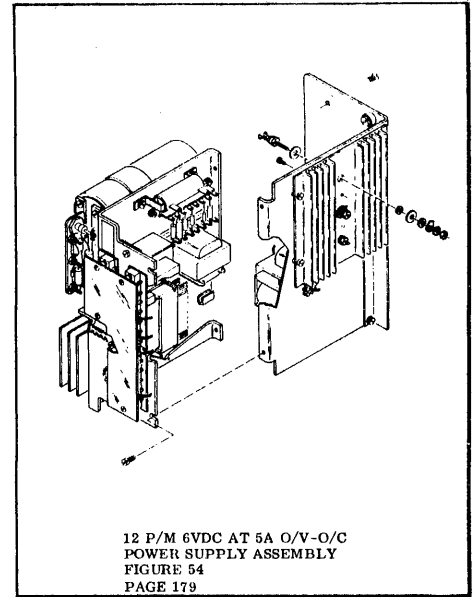
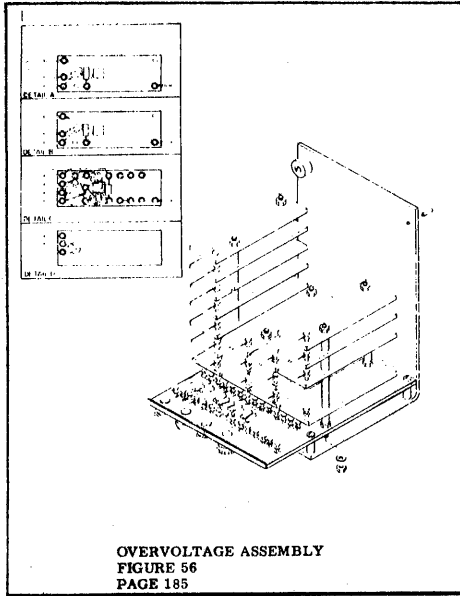


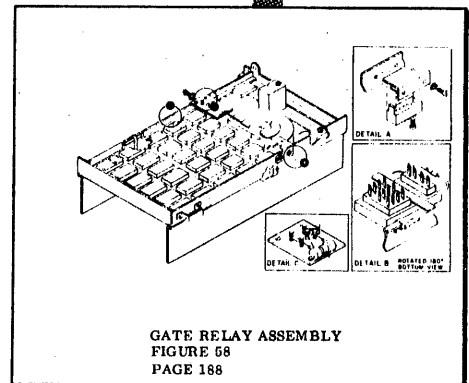
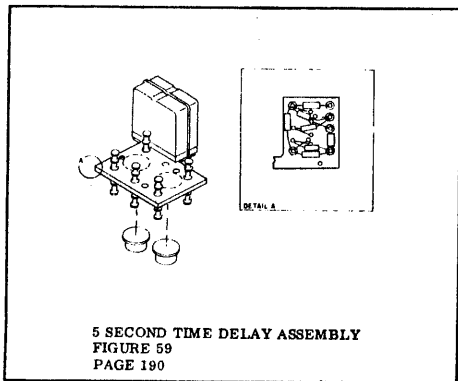
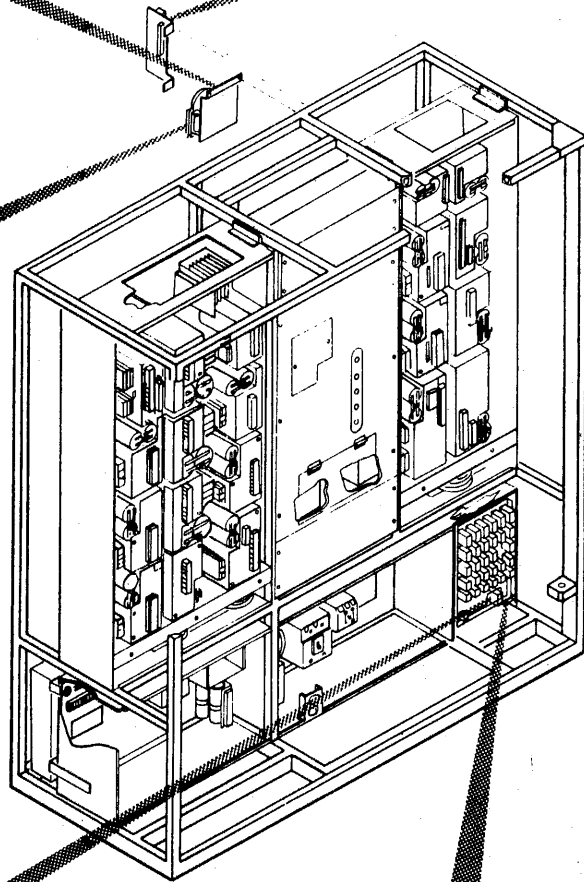
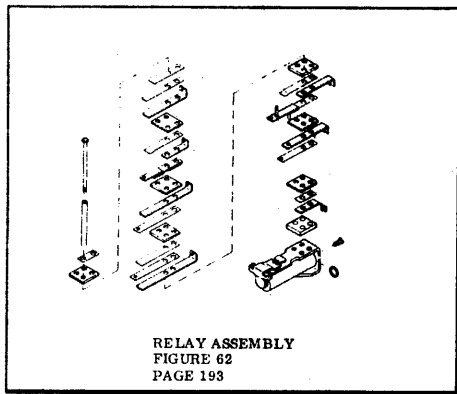
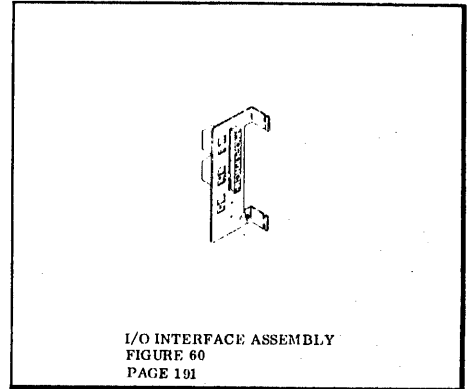
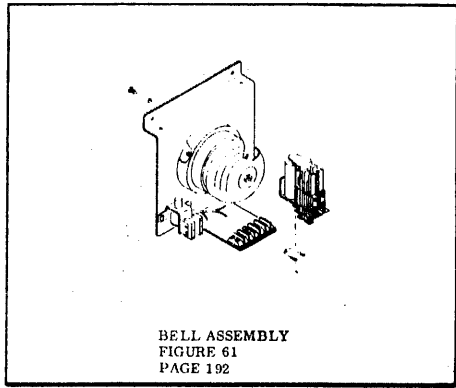


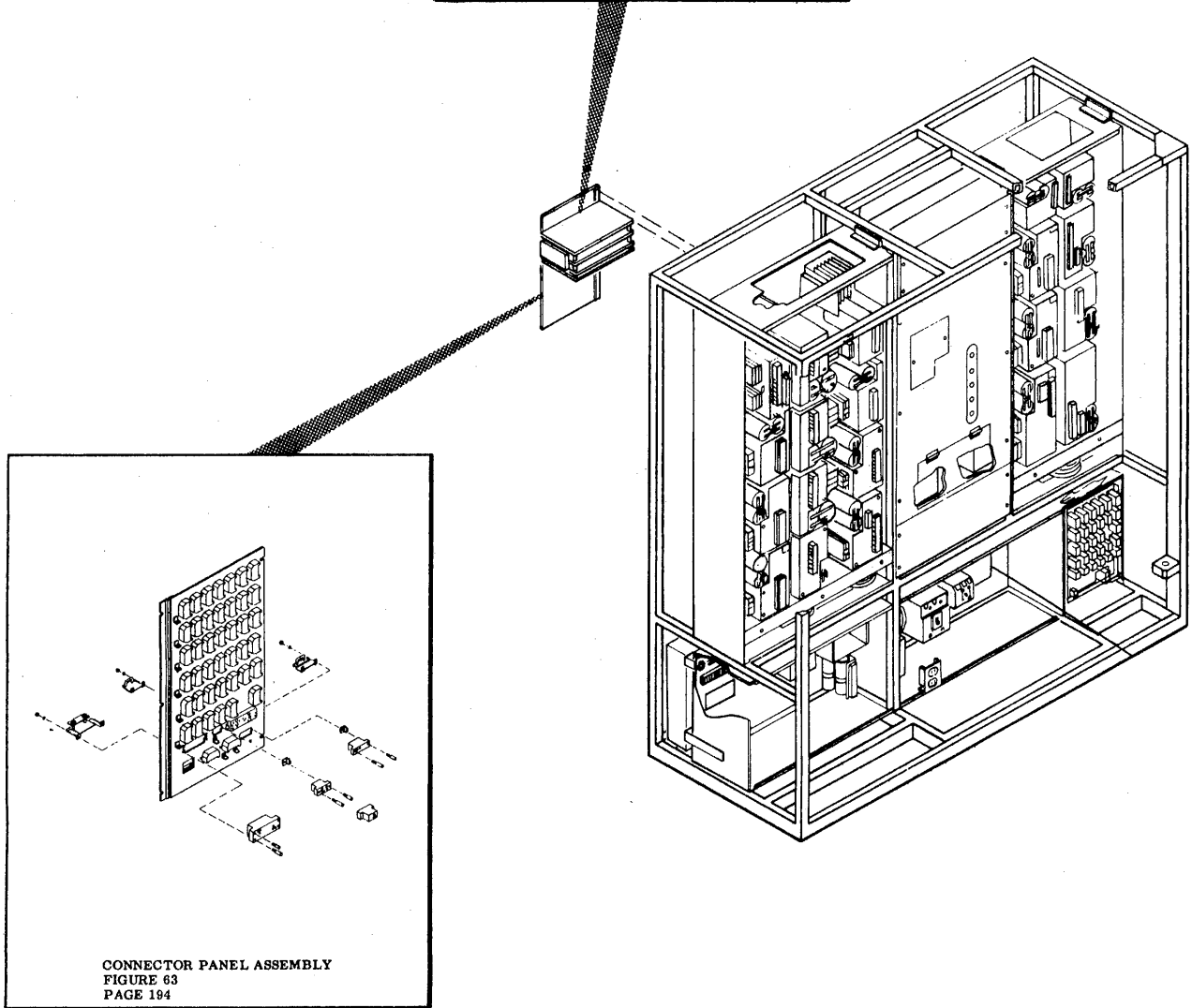
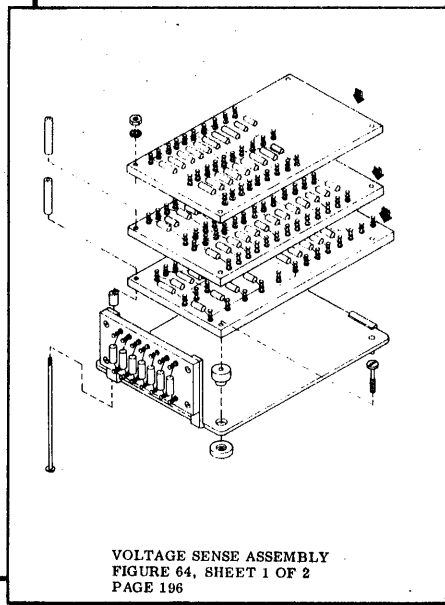
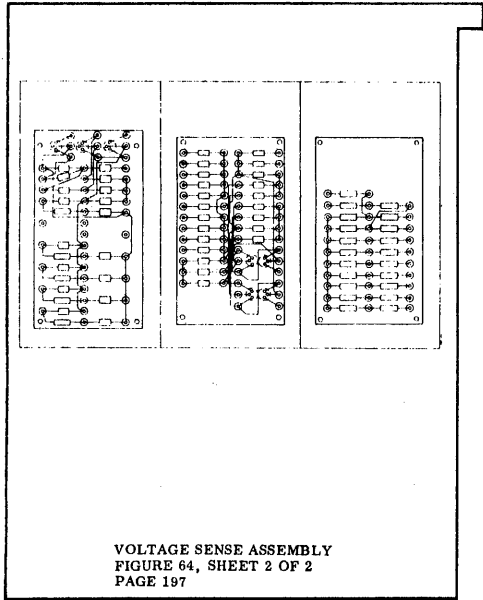


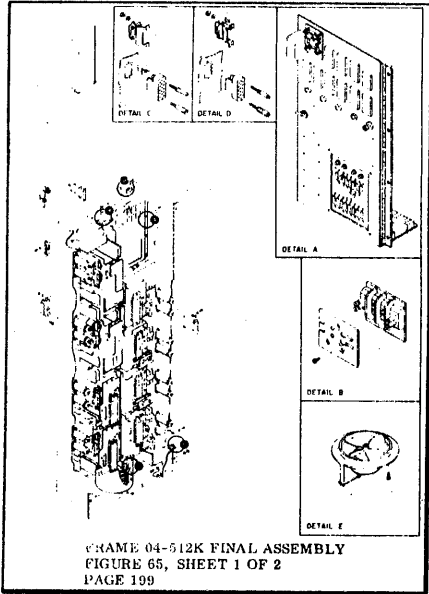




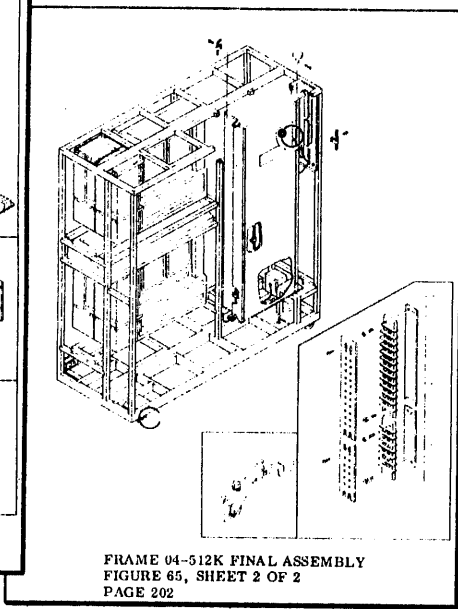




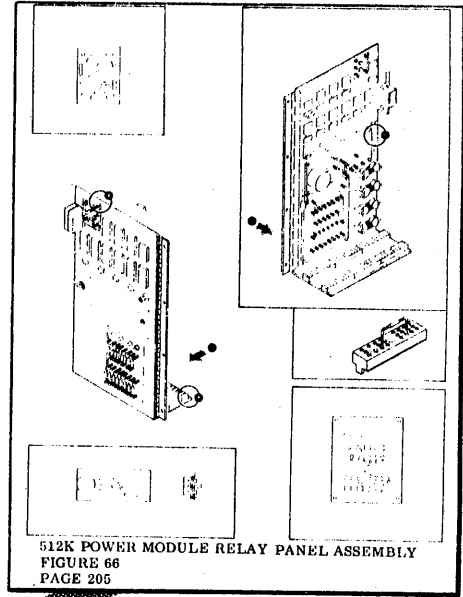




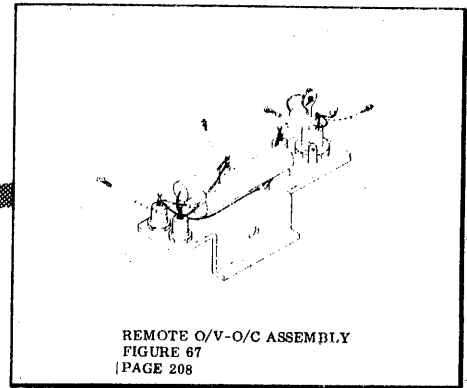
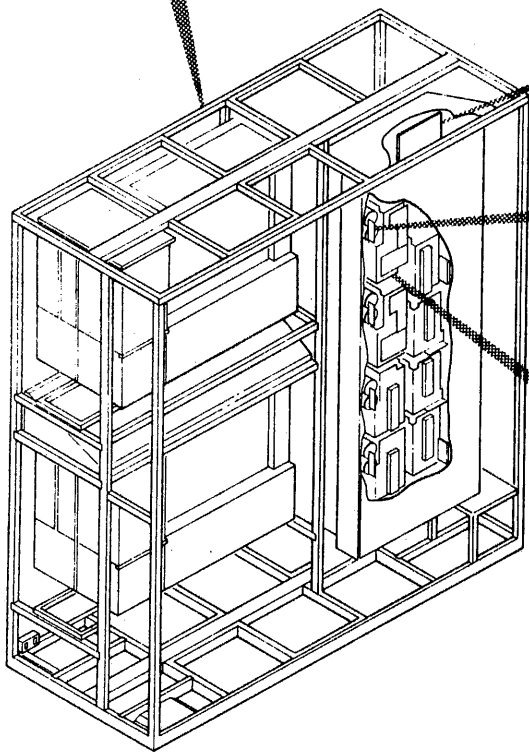
FRAME 04-512K FINAL ASSEMBLY
FIGURE 65, SHEET 1 OF 2
PAGE 199



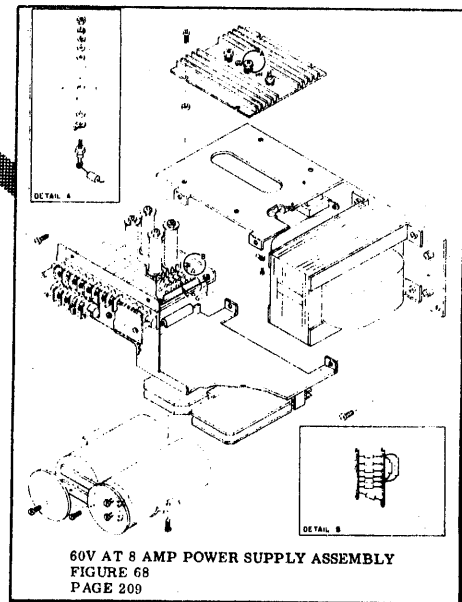
FRAME 04-512K FINAL ASSEMBLY
FIGURE 65, SHEET 2 OF 2
PAGE 202



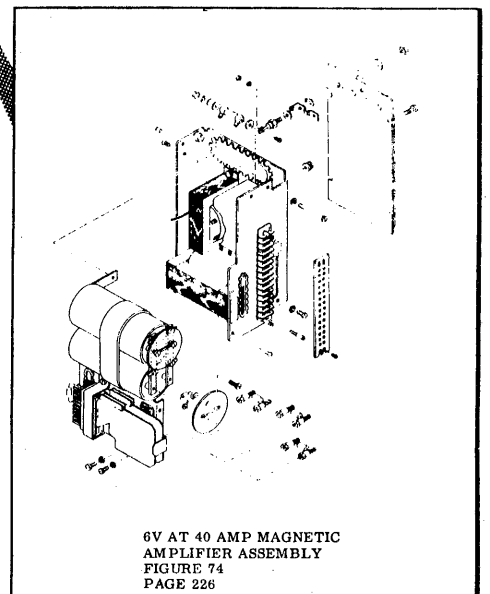
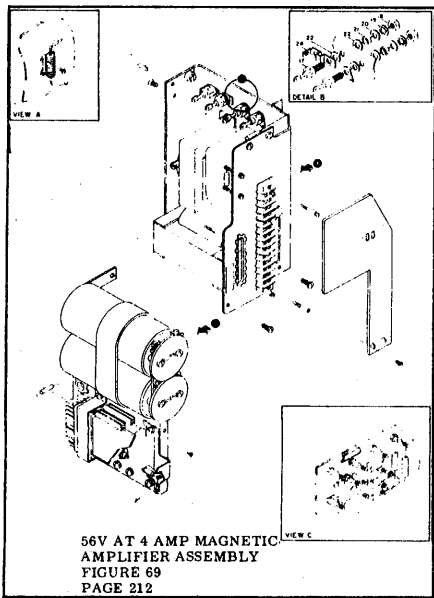
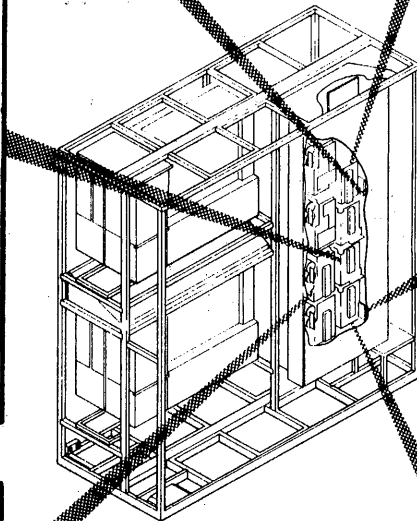
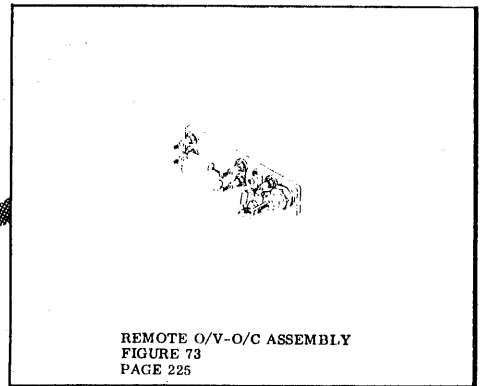
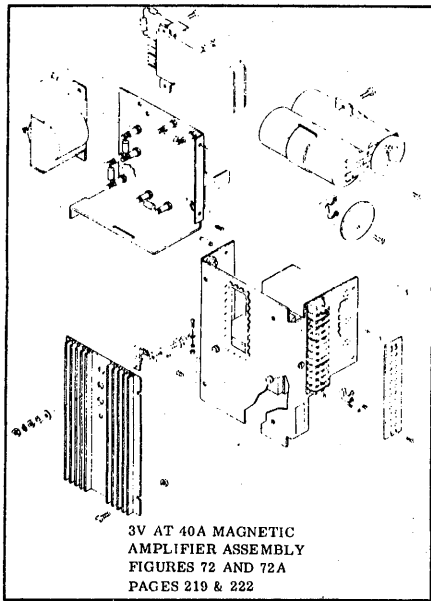
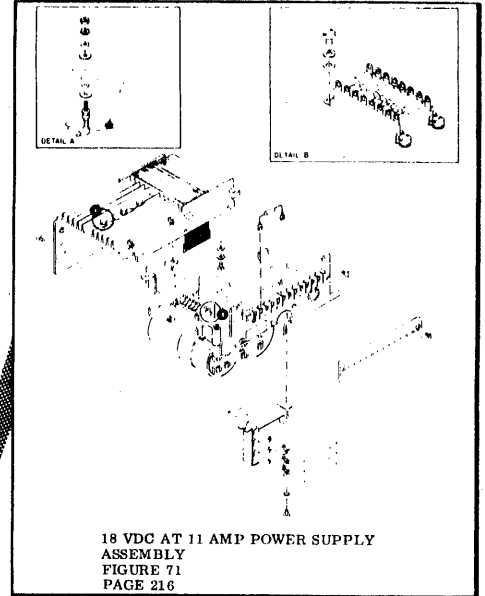
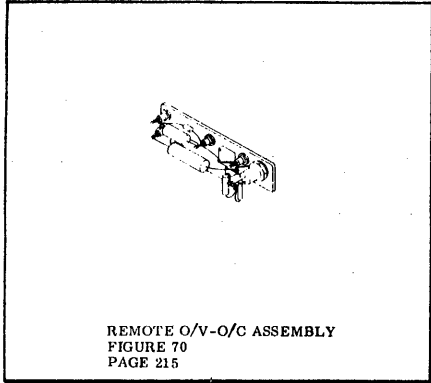
512K POWER MODULE RELAY PANEL ASSEMBLY
FIGURE 66
PAGE 205

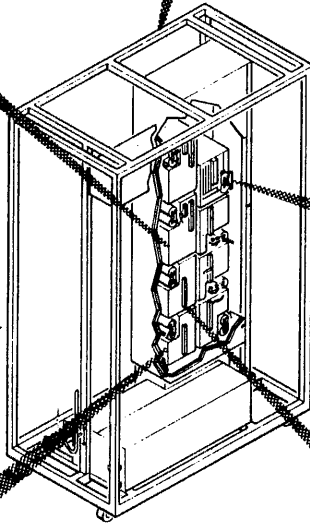
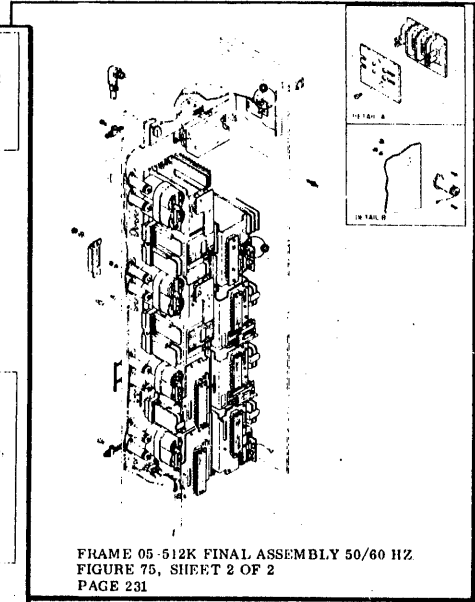
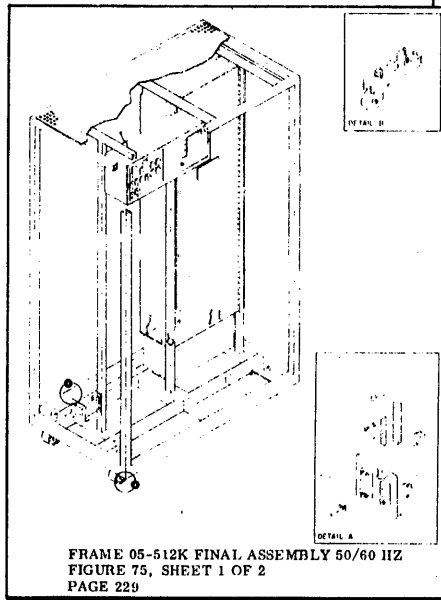
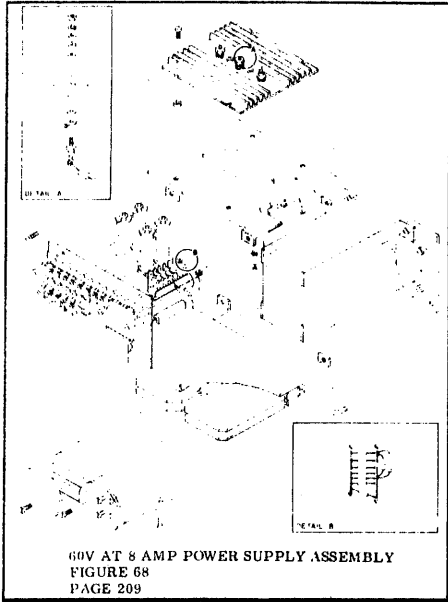


REMOTE O/V-O/C ASSEMBLY
FIGURE 67
PAGE 208

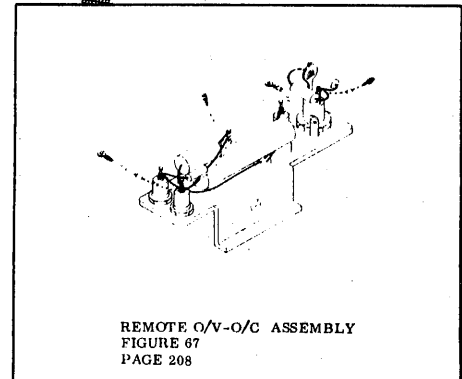
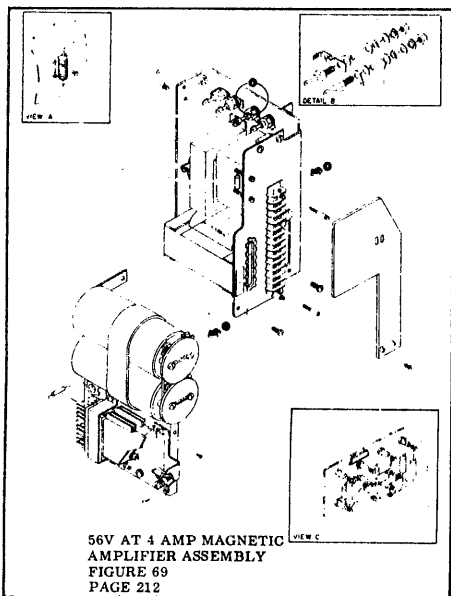
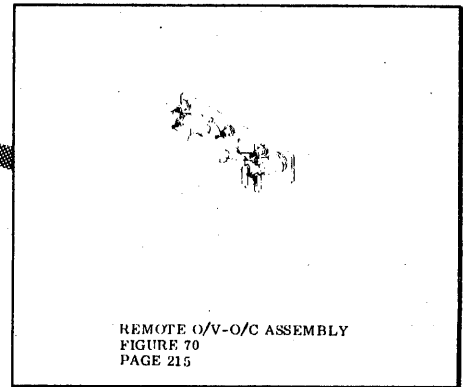


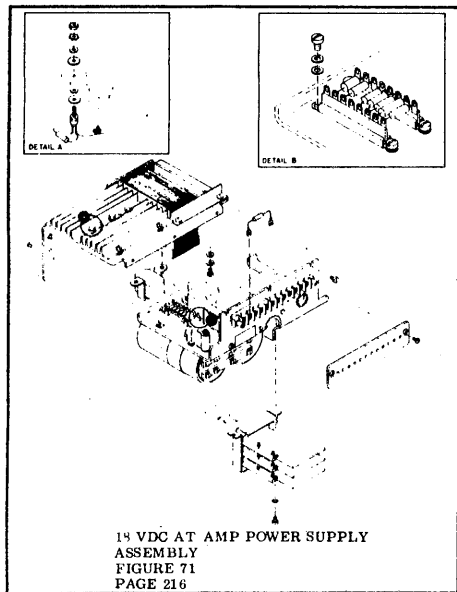
60V AT 8 AMP POWER SUPPLY ASSEMBLY
FIGURE 68
PAGE 209



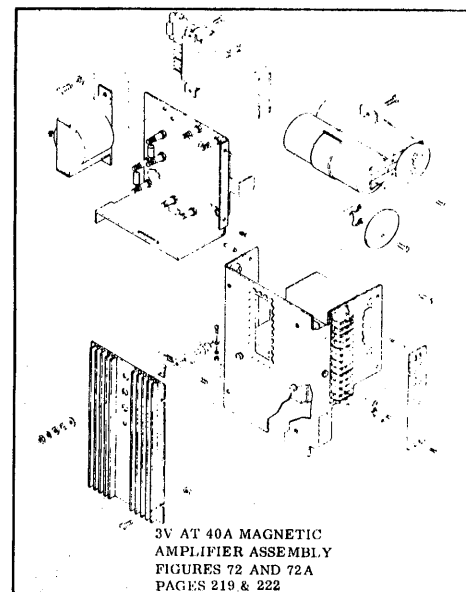


FRAME 05 NOT USED ON 384K AND 512K
FEATURES FOR SYSTEMS AT E. C. 258549
OR LATER (POWER COMPONENT REPACK-
AGED IN FRAME 04)



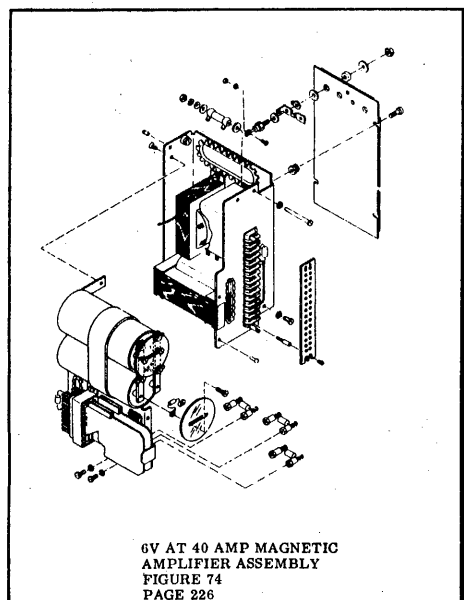
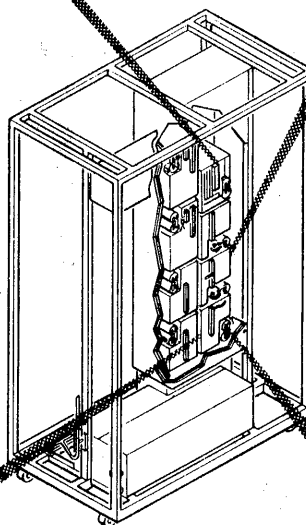


18 VDC AT AMP POWER SUPPLY
ASSEMBLY
FIGURE 71
PAGE 216

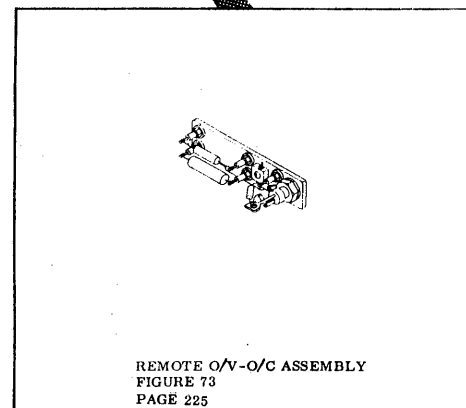


3V AT 40A MAGNETIC
AMPLIFIER ASSEMBLY
FIGURES 72 AND 72A
PAGES 219 & 222

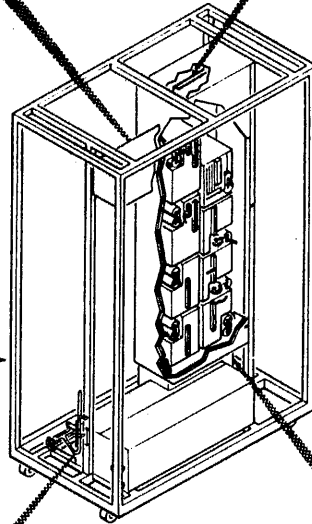
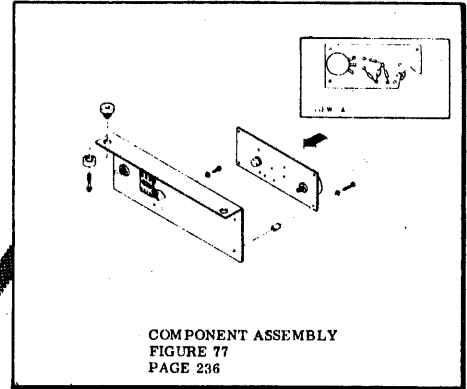
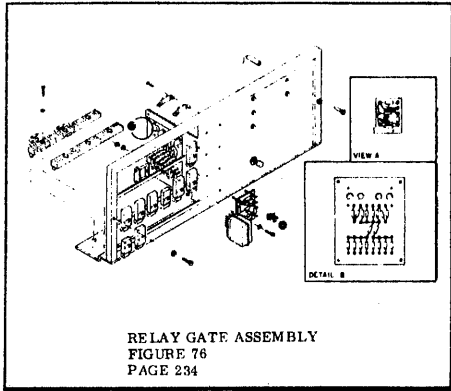
FRAME 05 NOT USED ON 384K AND 512K
FEATURES FOR SYSTEMS AT E. C. 258549
OR LATER (POWER COMPONENT REPACK-
AGED IN FRAME 04)



6V AT 40 AMP MAGNETIC
AMPLIFIER ASSEMBLY
FIGURE 74
PAGE 226

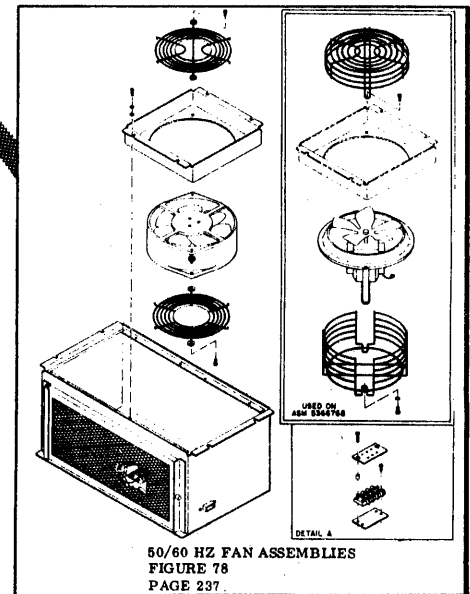


REMOTE O/V-O/C ASSEMBLY
FIGURE 73
PAGE 225



FRAME 05 NOT USED ON 384K AND 512K
FEATURES FOR SYSTEMS AT E. C. 258549
OR LATER (POWER COMPONENT REPACK-
AGED IN FRAME 04)

CABLE AND JUMPER ASSEMBLY
COMPONENT PARTS
FIGURE 79, SHEETS 1-6
PAGE 239



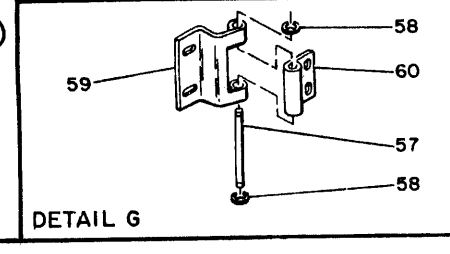
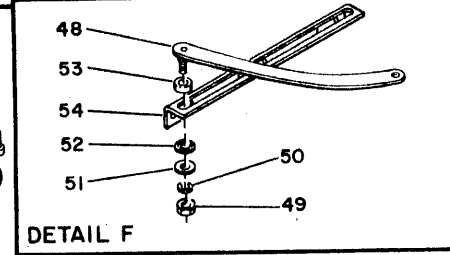
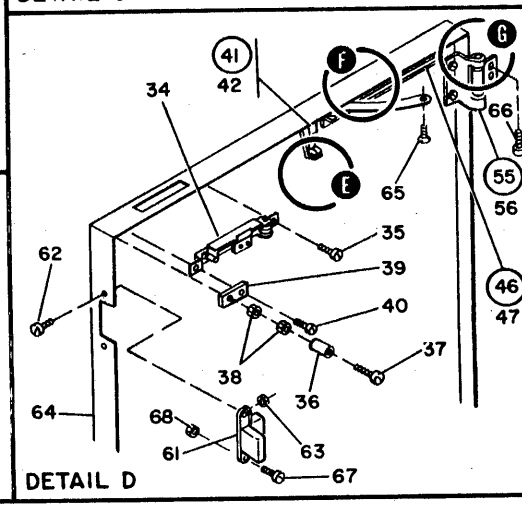
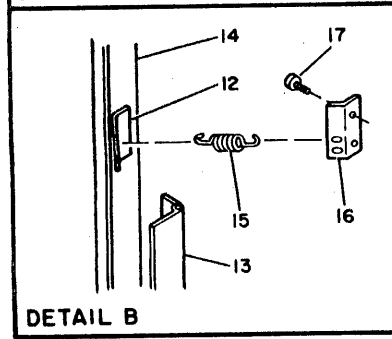
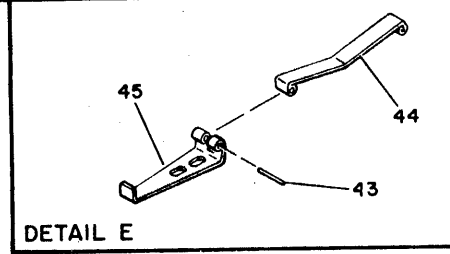
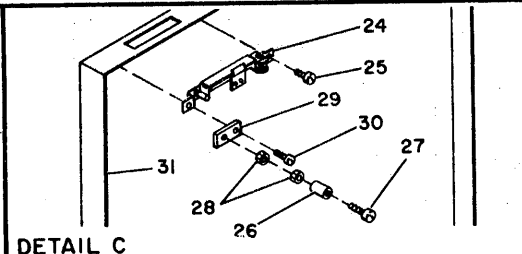
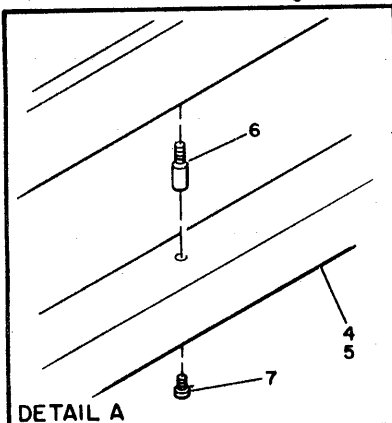
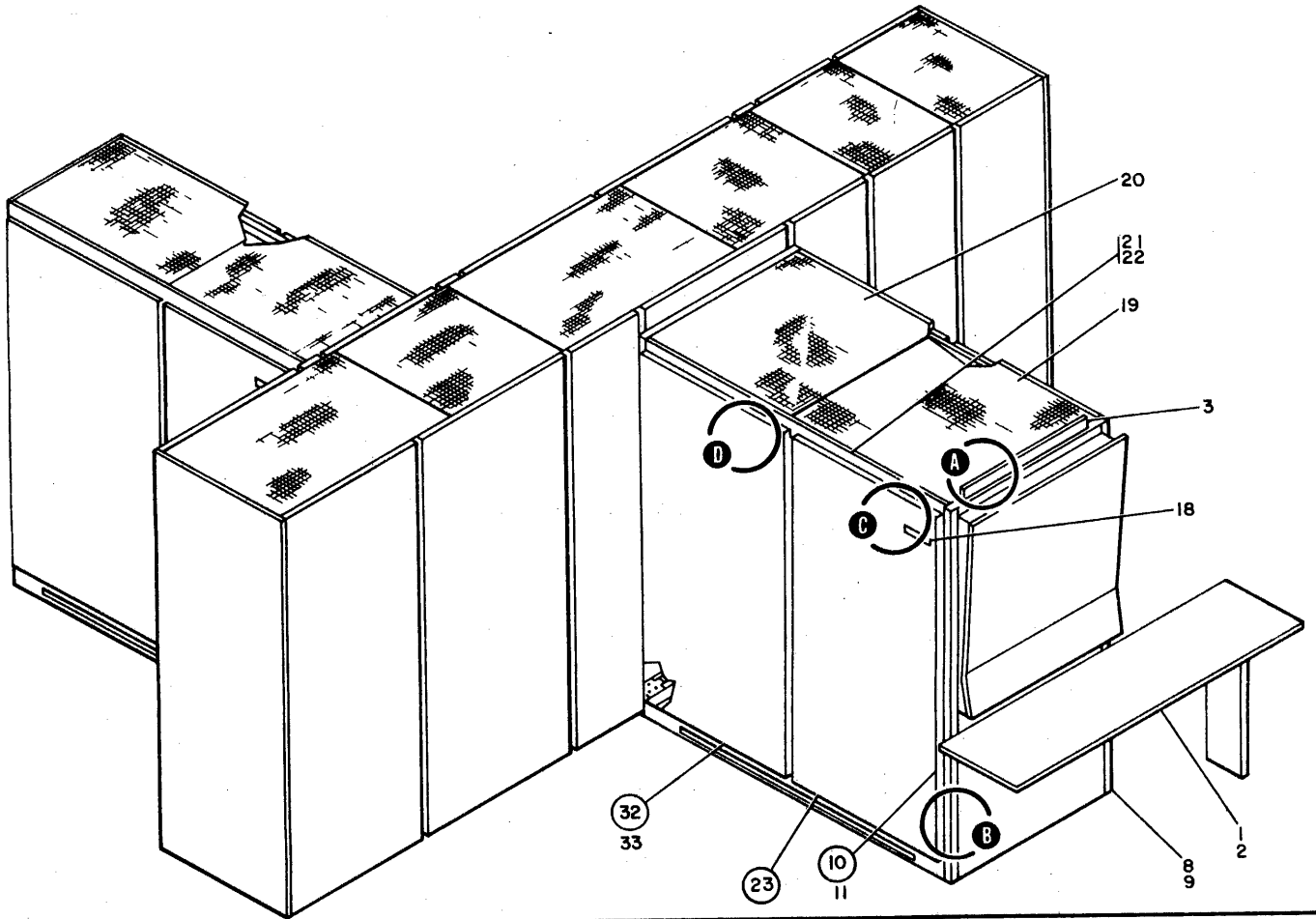


FIGURE 1. COVER AND SHIPPING GROUPS. SHEET 1 OF 7. INDEX NOS. 1-68. SEE LIST 1.

LIST AND INDEX NUMBER	PART NUMBER	DESCRIPTION				UNITS PER ASM.	USABLE ON CODE
		1	2	3	4		
		COVER AND SHIPPING GROUPS					
		CODE 1 USED ON ASM PRIOR TO K8 SUFFIX CODE 2 USED ON ASM FROM K8 TO CURRENT					
1 -	NO NO.	COVER AND SHIPPING GROUPS				REF	
- 1	5373130 NP	SEE FIG. 1 FOR ILLUSTRATION • CONSOLE TABLE, RH					
- 2	5373131 NP	SEE FIG. 2 FOR DETAIL BREAKDOWN • CONSOLE TABLE, LH SEE FIG. 2 FOR DETAIL BREAKDOWN					
- 3	5352156	• LABEL-ENGLISH AND GERMAN				1	
- 3	5352720	• LABEL-FRENCH				1	
- 4	5372905	• TRIM-UPPER				1	
- 5	731630	• SCREW, THD FORMING- 10-32 X 0.500 LG		ATT PT	7		
- 6	5349215	• STANDOFF				2	
- 7	34512	• SCREW, BIND. HD 8-32 X .375 LG		ATT PT	2		
- 8	5393226	• TRIM				1	1
- 8	5477962	• TRIM				1	2
- 9	731630	• SCREW, THD FORMING- 10-32 X 0.500 LG		ATT PT	4		
- 10	5393212	• HINGE AND TRIM ASM				1	
- 11	731630	• SCREW, THD FORMING- 10-32 X 0.500 LG		ATT PT	16		
- 12	5400612	• BRACKET-SPRING MTG				1	
- 13	5393211	• HINGE-TRIM				2	
- 14	5393213	• TRIM				1	
- 15	5400613	• SPRING-EXTENSION				2	
- 16	5400573	• BRACKET-TRIM SPRING				1	
- 17	58207	• SCREW, MACH-UNDRCT BIND HD 8-32 X 1/4 LG		ATT PT	2		
- 18	5364309	• LABEL-ENGLISH				1	
- 18	5364317	• LABEL-FRENCH				1	
- 18	5364319	• LABEL-GERMAN				1	
- 19	5373169	• COVER, TOP				1	
- 20	5373170	• COVER, TOP				1	
- 21	5372866	• TRIM				2	
- 22	731630	• SCREW, THD FORMING- 10-32 X 0.500 LG		ATT PT	10		
- 23	5400515	• COVER ASM-BLUE				1	
- 23	5400516	• COVER ASM-GREY				1	
- 23	5400517	• COVER ASM-RED				1	
- 23	5400518	• COVER ASM-YELLOW				1	
- 24	5372775	• LATCH ASSEMBLY				1	
- 25	34512	• SCREW, BIND. HD 8-32 X .375 LG		ATT PT	1		
- 26	597671	• BUMPER				2	
- 27	510379	• SCREW				2	
- 28	257187	• NUT, PLAIN, HEX- 6-32 X 3/8 FL W		ATT PT	2		
- 29	5373035	• BASE-BUMPER				2	
- 30	5528	• SCREW, MACH BIND HD 8-32 X .625 LG		ATT PT	2		
- 31	5403698	• COVER-BLUE				1	
- 32	5397712	• COVER ASSEMBLY-RED				1	
- 32	5397713	• COVER ASSEMBLY-YELLOW				1	
- 32	5397714	• COVER ASSEMBLY-BLUE				1	
- 32	5397715	• COVER ASSEMBLY-GRAY				1	
- 33	731630	• SCREW, THD FORMING- 10-32 X 0.500 LG		ATT PT	6		
- 34	5372775	• LATCH ASSEMBLY				1	
- 35	34512	• SCREW, BIND. HD 8-32 X .375 LG		ATT PT	1		
- 36	597671	• BUMPER				2	
- 37	510379	• SCREW				2	
- 38	257187	• NUT, PLAIN, HEX- 6-32 X 3/8 FL W		ATT PT	2		
- 39	5373035	• BASE-BUMPER				2	
- 40	5528	• SCREW, MACH BIND HD 8-32 X .625 LG		ATT PT	2		
- 41	5372895	• LOCK ASSEMBLY				1	
- 42	34512	• SCREW, BIND. HD 8-32 X .375 LG		ATT PT	2		
- 43	311462	• PIN, SPRING- 0.133 X 0.750 LG				1	
- 44	5372893	• CLIP				1	
- 45	5372894	• BRACKET				1	
- 46	5418257	• STAY MECHANISM ASSEMBLY-LEFT HAND				1	
- 47	34512	• SCREW, BIND. HD 8-32 X .375 LG		ATT PT	3		
- 48	5407558	• STAY ARM ASSEMBLY-L.H.				1	
- 49	257189	• NUT, HEX- 8-32				1	
- 50	1090873	• WASHER, LOCK, SPLIT RING- .168 ID, .296 OD				1	
- 51	22478	• WASHER, FL- 0.170 ID 0.375 OD 0.32 THK				1	
- 52	528287	• FELT-OIL LOWER				1	
- 53	5407562	• WASHER, FL- 5/16 ID X 5/8 OD X 1/8 THK				1	
- 54	5407559	• BRACKET ASSEMBLY, GUIDE-STAY MECHANISM				1	
- 55	5397716	• HINGE ASM-COVER				3	
- 56	32617	• SCREW, MACH-BIND HD 10-32 X 0.438 LG		ATT PT	6		
- 57	5372760	• PIN-HINGE				1	

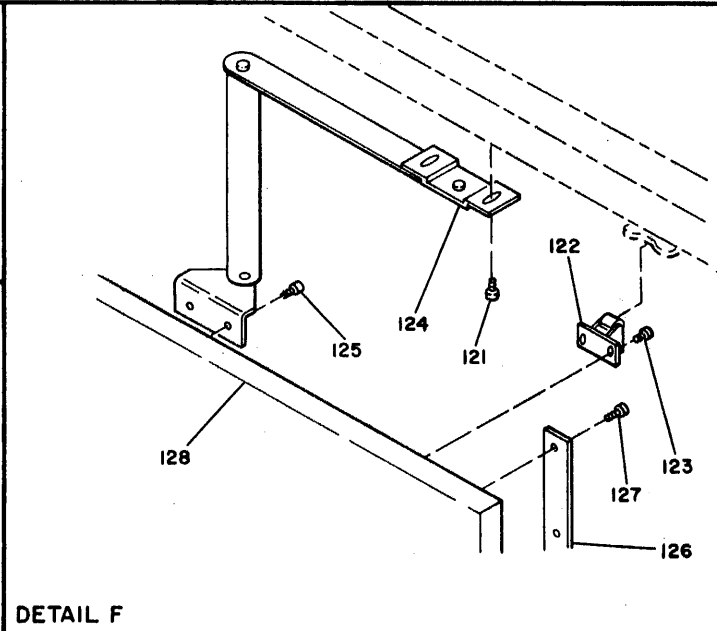
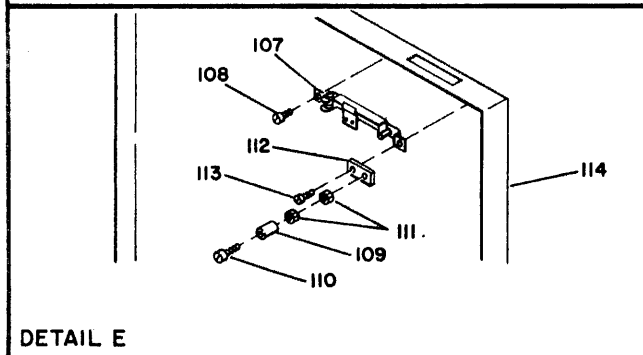
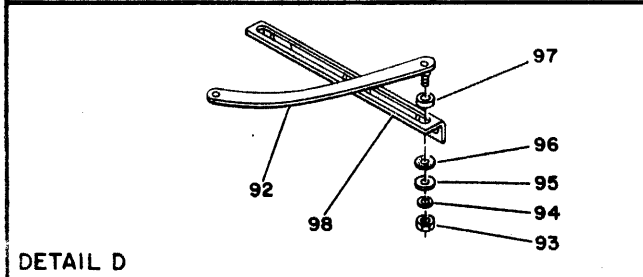
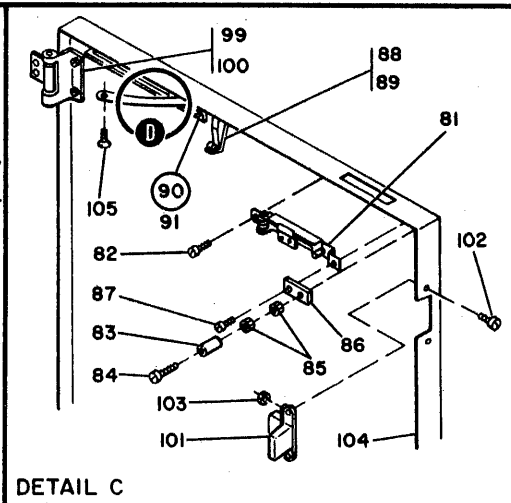
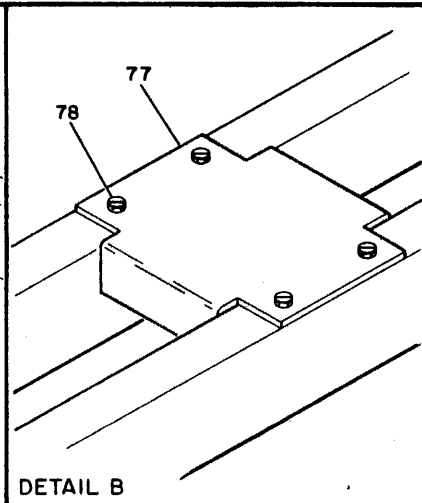
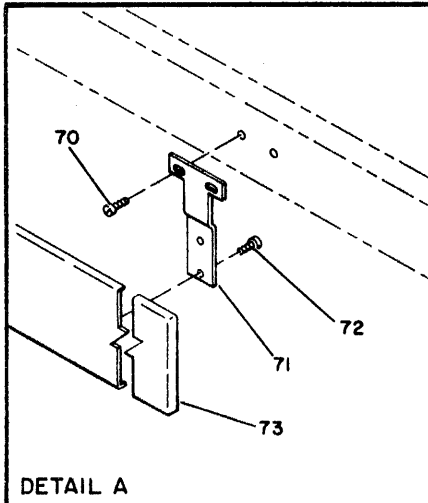
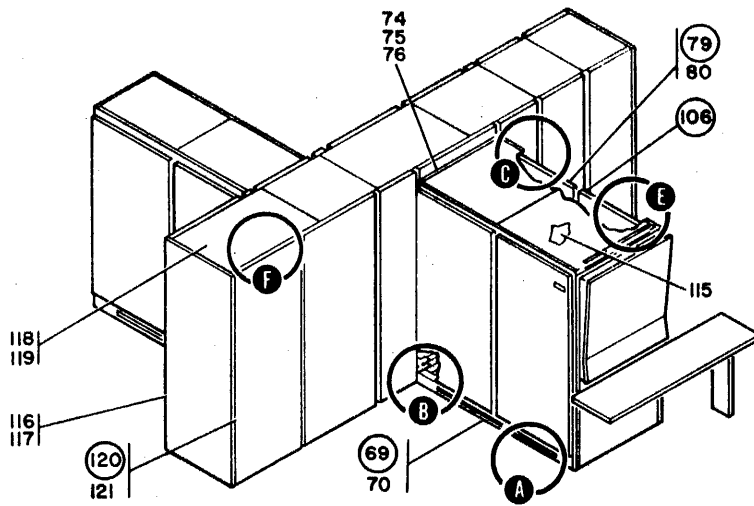


FIGURE 1. COVER AND SHIPPING GROUPS. SHEET 2 OF 7. INDEX NOS. 69-128. SEE LIST 1.

LIST AND INDEX NUMBER	PART NUMBER	DESCRIPTION	UNITS PER ASM.	USABLE ON CODE
1 - 69	5400448	• KICKPLATE ASSEMBLY	2	
- 70	731630	• SCREW, THD FORMING- 10-32 X 0.500 LG ATT PT	8	
- 71	5403879	• • BRACKET KICKPLATE MTG	2	
- 72	381741	• • SCREW, THREAD FORM-PAN HD 8-32 X 3/8 LG ATT PT	4	
- 73	5372831	• • KICKPLATE, SIDE	1	
- 74	5372987	• TRIM-CLOSURE RH	1	
- 75	5372986	• TRIM-CLOSURE LH	1	
- 76	731630	• SCREW, THD FORMING- 10-32 X 0.500 LG ATT PT	8	
- 77	5372797	• BRACKET	4	
- 78	5372858	• SCREW, HEX HD 10-32 X .50 LG ATT PT	16	
- 79	5397728	• COVER ASSEMBLY-RED	1	
- 79	5397729	• COVER ASSEMBLY-YELLOW	1	
- 79	5397731	• COVER ASSEMBLY-BLUE	1	
- 79	5397732	• COVER ASSEMBLY-GRAY	1	
- 80	731630	• SCREW, THD FORMING- 10-32 X 0.500 LG ATT PT	6	
- 81	5372775	• • LATCH ASSEMBLY	1	
- 82	34512	• SCREW, BIND. HD. 8-32 X .375 LG ATT PT	1	
- 83	597671	• • BUMPER	2	
- 84	510379	• • SCREW ATT PT	2	
- 85	257187	• • NUT, PLAIN, HEX- 6-32 X 3/8 FL W ATT PT	2	
- 86	5373035	• • BASE-BUMPER	2	
- 87	5528	• • SCREW, MACH BIND HD 8-32 X .625 LG ATT PT	2	
- 88	5372895	• • LOCK ASSEMBLY	1	
- 89	34512	SEE INDEX 41 FOR DETAIL BREAKDOWN	2	
- 90	5418258	• • SCREW, BIND. HD 8-32 X .375 LG ATT PT	1	
- 91	34512	• • STAY MECHANISM ASSEMBLY-RIGHT HAND	3	
- 92	5407558	• • SCREW, BIND. HD 8-32 X .375 LG ATT PT	1	
- 93	257189	• • • STAY ARM ASSEMBLY-L.H. ATT PT	1	
- 94	1090873	• • • NUT, HEX- 8-32	1	
- 95	22478	• • • WASHER, LOCK, SPLIT RING- .168 ID, .296 OD ATT PT	1	
- 96	528287	• • • WASHER, FL- 0.170 ID 0.375 OD 0.32 THK ATT PT	1	
- 97	5407562	• • • FELT-OIL LOWER	1	
- 98	5407559	• • • WASHER, FL- 5/16 ID X 5/8 OD X 1/8 THK	1	
- 99	5397716	• • • BRACKET ASSEMBLY, GUIDE-STAY MECHANISM	3	
- 99	5397716	• • • HINGE ASM-COVER	3	
-100	32617	SEE INDEX 55 FOR DETAIL BREAKDOWN	6	
-101	5373003	• • • SCREW, MACH-BIND HD 10-32 X 0.438 LG ATT PT	3	
-102	367	• • • HINGE	6	
-103	125930	• • • SCREW, MACH-FL CSK HD 10-32 X 5/8 LG ATT PT	6	
-104	5403690	• • • NUT-STOP, ELASTIC HEX 10-32 ATT PT	1	
-104	5403691	• • • COVER-BLUE	1	
-104	5403692	• • • COVER-GRAY	1	
-104	5403693	• • • COVER-RED	1	
-105	5407422	• • • COVER-YELLOW	1	
-106	5400510	• SCREW, SHOULDER 10- 32 X .020 OD	1	
-106	5400511	• COVER ASM-SOLID BLUE	1	
-106	5400512	• COVER ASM-SOLID GRAY	1	
-106	5400513	• COVER ASM-SOLID RED	1	
-107	5372775	• COVER ASM-SOLID YELLOW	1	
-108	34512	• • LATCH ASSEMBLY	1	
-109	597671	• • SCREW, BIND. HD 8-32 X .375 LG ATT PT	2	
-110	510379	• • BUMPER	2	
-111	257187	• • SCREW	2	
-112	5373035	• • NUT, PLAIN, HEX- 6-32 X 3/8 FL W ATT PT	2	
-113	5528	• • BASE-BUMPER	2	
-114	5403694	• • SCREW, MACH BIND HD 8-32 X .625 LG ATT PT	2	
-114	5403695	• • COVER-BLUE	1	
-114	5403696	• • COVER-GRAY	1	
-114	5403697	• • COVER-RED	1	
-115	5403763	• • COVER-YELLOW	1	
-116	5373004	• SCREEN	1	
-117	34512	• COVER END	4	
-118	5373176	• SCREW, BIND. HD 8-32 X .375 LG ATT PT	1	
-119	5403786	• COVER, TOP	2	
-120	5418145	• SUPPORT-GRID COVER	1	
-121	731630	• COVER ASM, VENTED, HINGED	10	
-122	513668	• SCREW, THD FORMING- 10-32 X 0.500 LG ATT PT	2	
-123	55726	• • CATCH, FRICTION LATCH	4	
-124	5372922	• • SCREW, MACH-BIND HD 6-32 X .188 LG ATT PT	1	
-125	58207	• • STAY MECHANISM ASM-LH	2	
-126	5373048	• • SCREW, MACH-UNDRCT BIND HD 8-32 X 1/4 LG ATT PT	1	
-127	58207	• • SEAL-VENTED COVER	7	
-128	5418146	• • SCREW, MACH-UNDRCT BIND HD 8-32 X 1/4 LG ATT PT	1	
		• • COVER, VENTED		

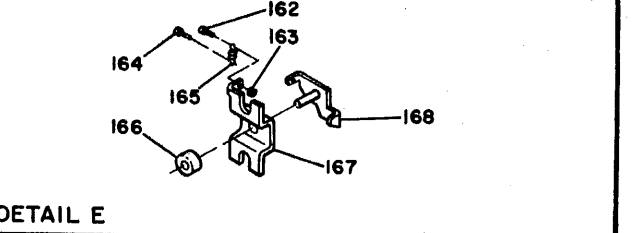
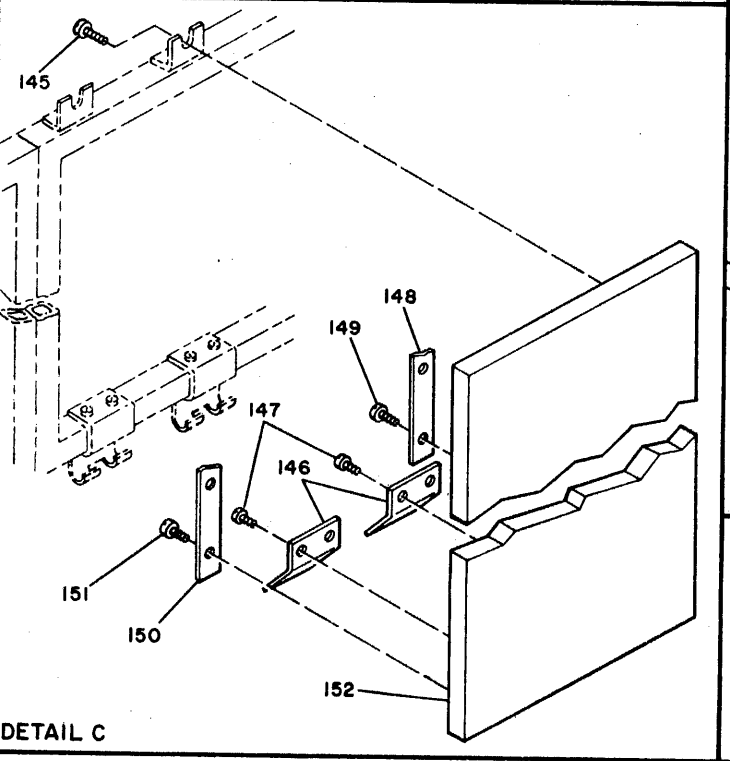
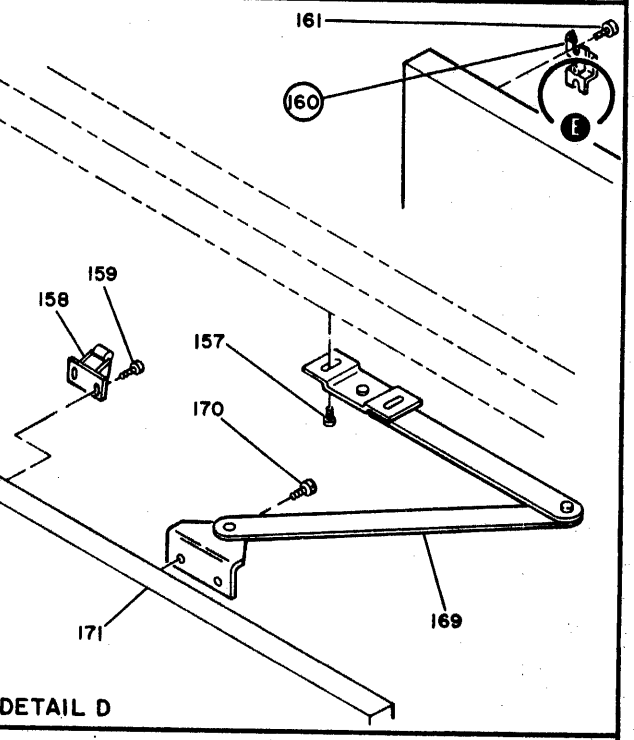
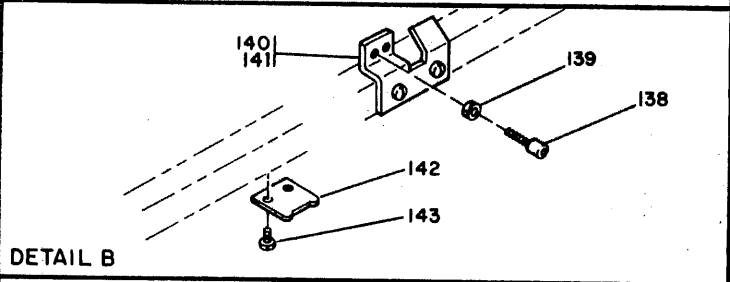
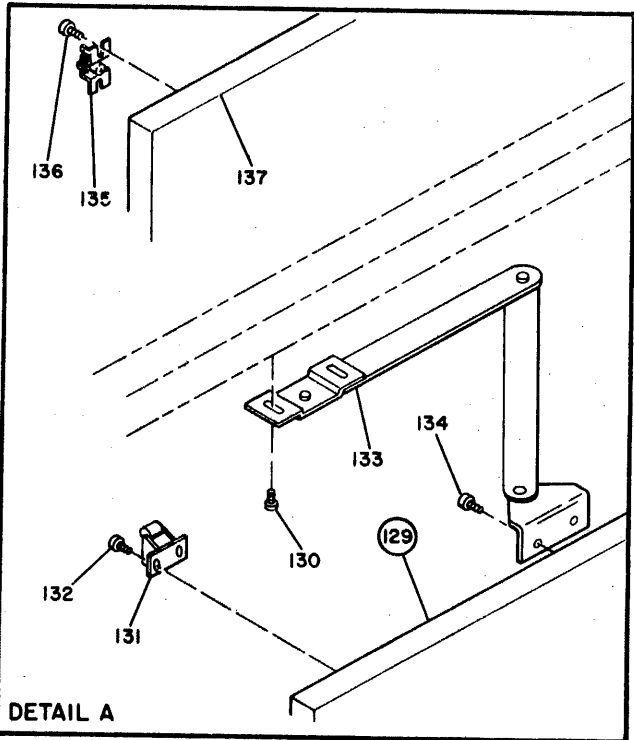
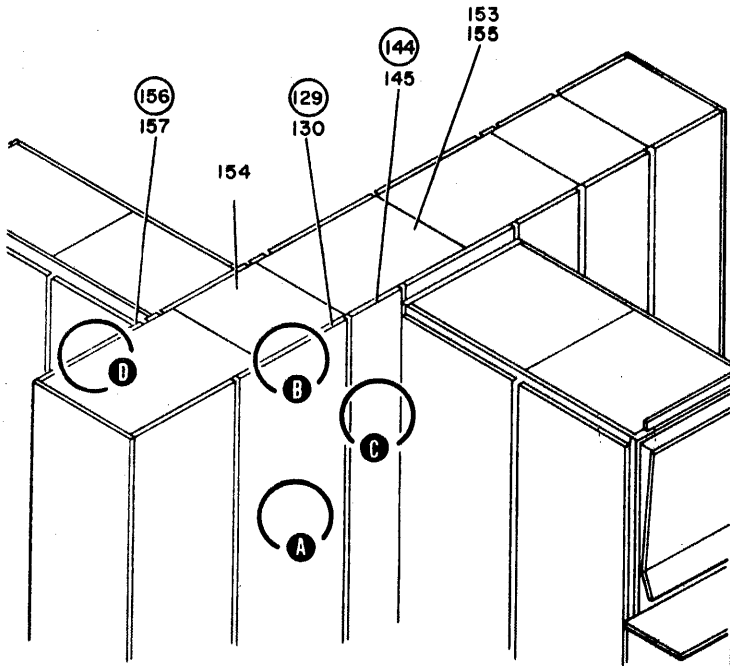


FIGURE 1. COVER AND SHIPPING GROUPS. SHEET 3 OF 7. INDEX NOS. 129-171. SEE LIST 1.

LIST AND INDEX NUMBER	PART NUMBER	DESCRIPTION	UNITS PER ASM.	USABLE ON CODE
1 -129	5420384	• COVER ASSEMBLY, MEMORY WALL FRONT USED FOR ABOVE FLOOR CABLING	AR	
-129	5418147	• COVER ASM, VENTED USED FOR BELOW FLOOR CABLING-DOMESTIC	AR	
-130	731630	• SCREW, THD FORMING- 10-32 X 0.500 LG ATT PT	10	
-131	513668	• • CATCH, FRICTION LATCH USED ON COVER ASM FOR ABOVE FLR CABLING	2	
-131	513668	• • CATCH, FRICTION LATCH USED ON COVER ASM FOR ABOVE FLR CABLING	1	
-132	55726	• • SCREW, MACH-BIND HD 6-32 X .188 LG ATT PT	4	
-133	5372921	• • MECHANISM ASSEMBLY, STAY	1	
-134	58207	• • SCREW, MACH-UNDRCT BIND HD 8-32 X 1/4 LG ATT PT	2	
-135	5407568	• • LATCH ASSEMBLY USED ON COVER ASM FOR ABOVE FLR CABLING	1	
-136	58207	SEE INDEX 161 FOR DETAIL BREAKDOWN		
-137	5418185	• • SCREW, MACH-UNDRCT BIND HD 8-32 X 1/4 LG ATT PT	2	
-137	5418185	• • COVER, VENTED USED ON COVER ASM FOR ABOVE FLR CABLING	1	
-137	5418148	• • COVER, VENTED USED ON COVER ASM FOR BELOW FLR CABLING	1	
-138	5418113	• BUMPER	2	
-139	257189	• NUT, HEX- 8-32 ATT PT	2	
-140	5407565	• STRIKE, LATCH	1	
-141	28413	• SCREW, MACH-BIND HD 10-32 X 5/16 LG ATT PT	2	
-142	513669	• STRIKE-FRICTION LATCH	1	
-143	731626	• SCREW, PAN HEAD, 6-32 X .25 LONG ATT PT	2	
-144	5400520	• COVER ASM-VENTED	1	
-145	34512	• SCREW, BIND HD 8-32 X .375 LG ATT PT	2	
-146	5373051	• • BRACKET-COVER	2	
-147	58207	• • SCREW, MACH-UNDRCT BIND HD 8-32 X 1/4 LG ATT PT	4	
-148	5373048	• • SEAL-VENTED COVER	1	
-149	58207	• • SCREW, MACH-UNDRCT BIND HD 8-32 X 1/4 LG ATT PT	7	
-150	5373063	• • PLATE SEAL	1	
-151	58207	• • SCREW, MACH-UNDRCT BIND HD 8-32 X 1/4 LG ATT PT	7	
-152	5373060	• • COVER-VENTED	1	
-153	5373176	• COVER, TOP	1	
-154	5373177	• COVER, TOP	2	
-155	5403786	• SUPPORT-GRID COVER ATT PT	6	
-156	5420385	• COVER ASSEMBLY, MEMORY WALL REAR USED FOR ABOVE FLOOR CABLING	1	
-156	5397802	• COVER-VENTED	1	
-157	731630	USED FOR BELOW FLOOR CABLING-DOMESTIC		
-157	731630	• SCREW, THD FORMING- 10-32 X 0.500 LG ATT PT	10	
-158	513668	• • CATCH, FRICTION LATCH	2	
-158	513668	USED ON COVER ASM FOR ABOVE FLR CABLING		
-158	513668	• • CATCH, FRICTION LATCH USED ON COVER ASM FOR BELOW FLR CABLING	1	
-159	55726	• • SCREW, MACH-BIND HD 6-32 X .188 LG ATT PT	4	
-160	5407568	• • LATCH ASSEMBLY USED ON COVER ASM FOR ABOVE FLR CABLING	1	
-161	58207	• • SCREW, MACH-UNDRCT BIND HD 8-32 X 1/4 LG ATT PT	2	
-162	186399	• • • SCREW, MACH-BIND HD 2-56 X 3/16 LG	1	
-163	47987	• • • NUT, PLAIN, HEX- 2-56 X 3/16 FL W	1	
-164	15887	• • • SCREW, MACH-BIND HD 2-56 X 1/8 LG	1	
-165	5418181	• • • SPRING, EXTENSION	1	
-166	5407564	• • • HUB, LATCH	1	
-167	5407566	• • • BRACKET, LATCH MOUNTING	1	
-168	5407563	• • • PLATE, LATCHING	1	
-169	5372921	• • MECHANISM ASSEMBLY, STAY	1	
-170	58207	• • SCREW, MACH-UNDRCT BIND HD 8-32 X 1/4 LG ATT PT	2	
-171	5418131	• • COVER, VENTED USED ON COVER ASM FOR ABOVE FLR CABLING	1	
-171	5372998	• • COVER-VENTED USED ON COVER ASM FOR BELOW FLR CABLING	1	

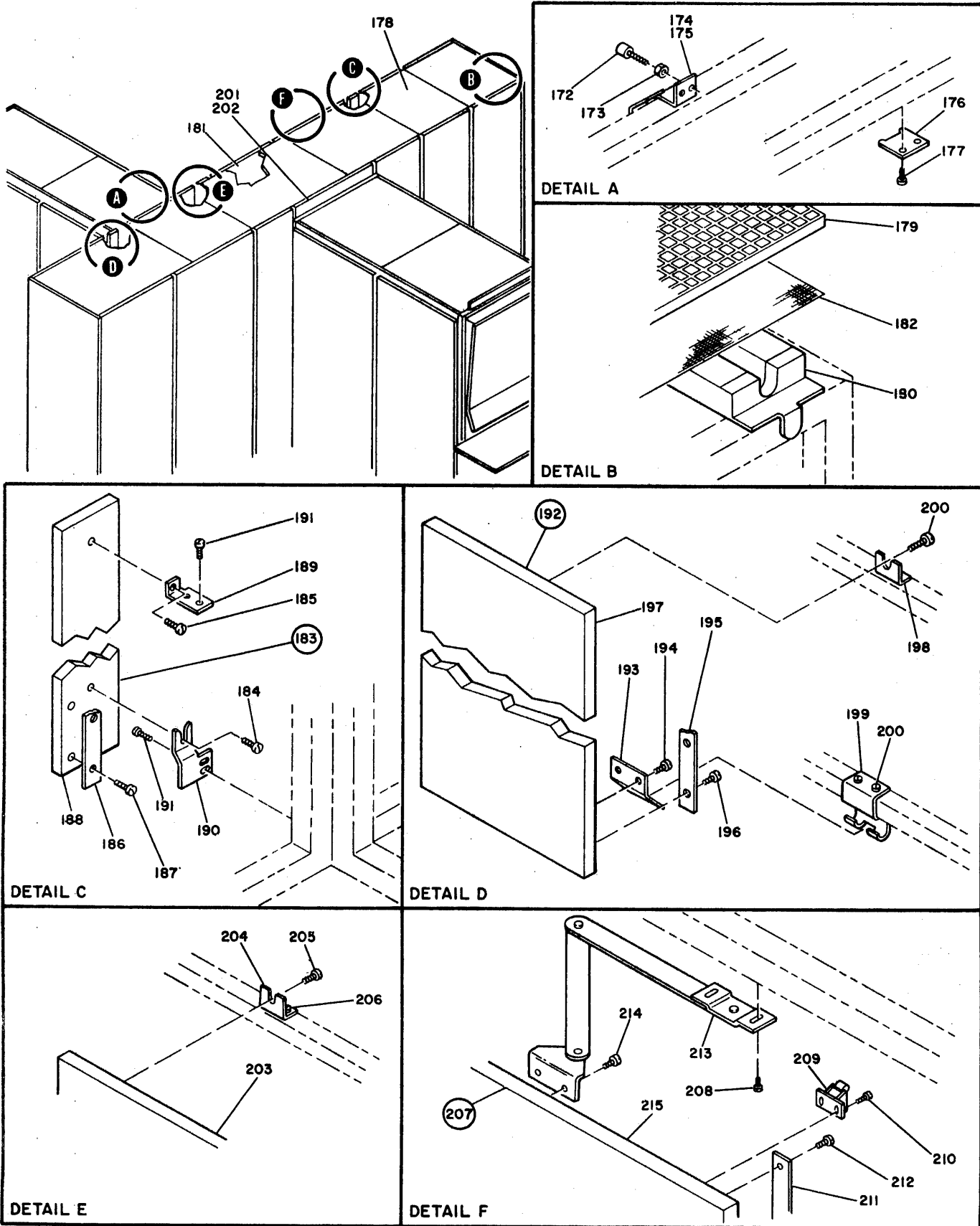


FIGURE 1. COVER AND SHIPPING GROUPS. SHEET 4 OF 7. INDEX NOS. 172-215. SEE LIST 1.

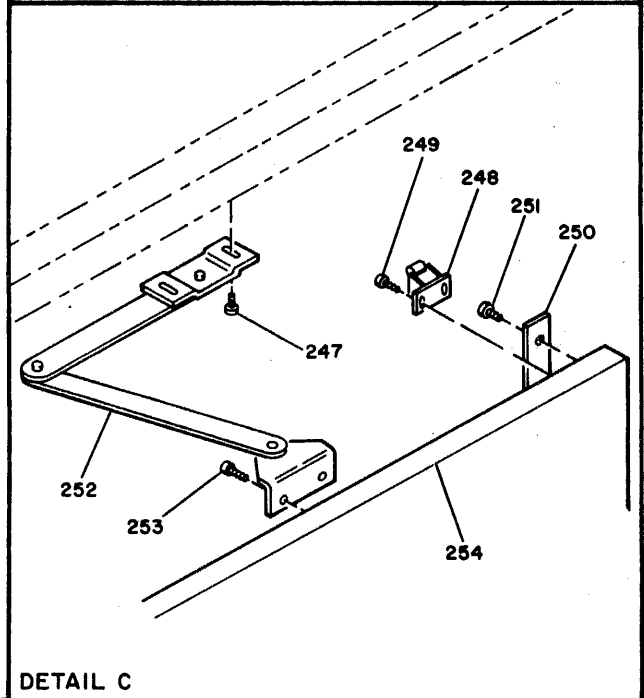
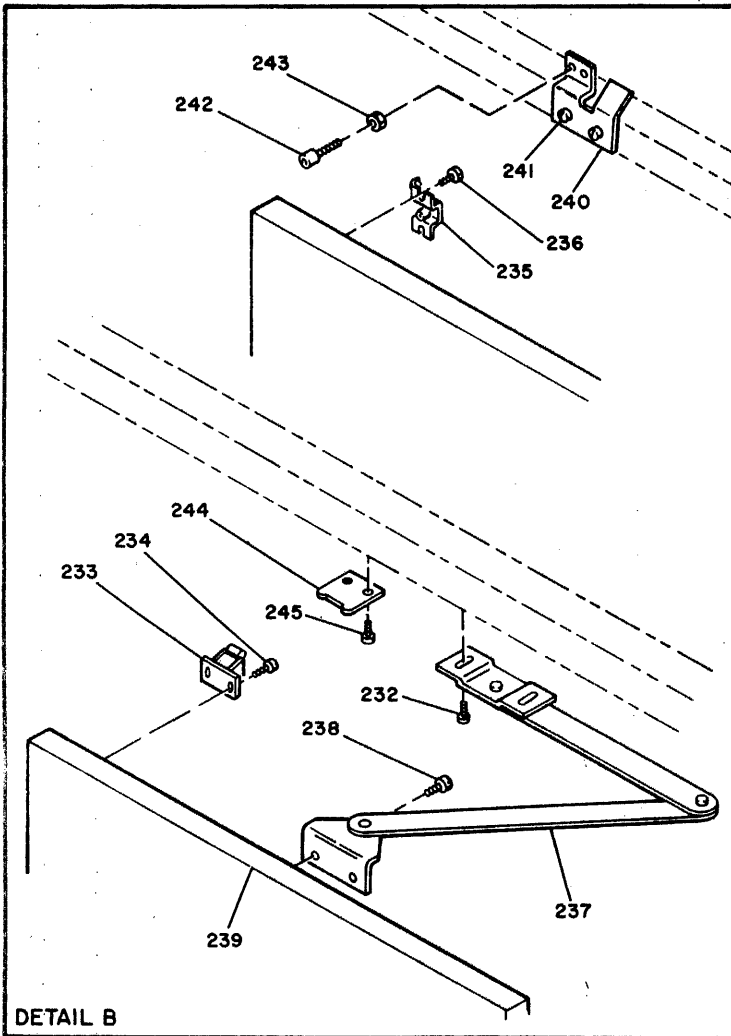
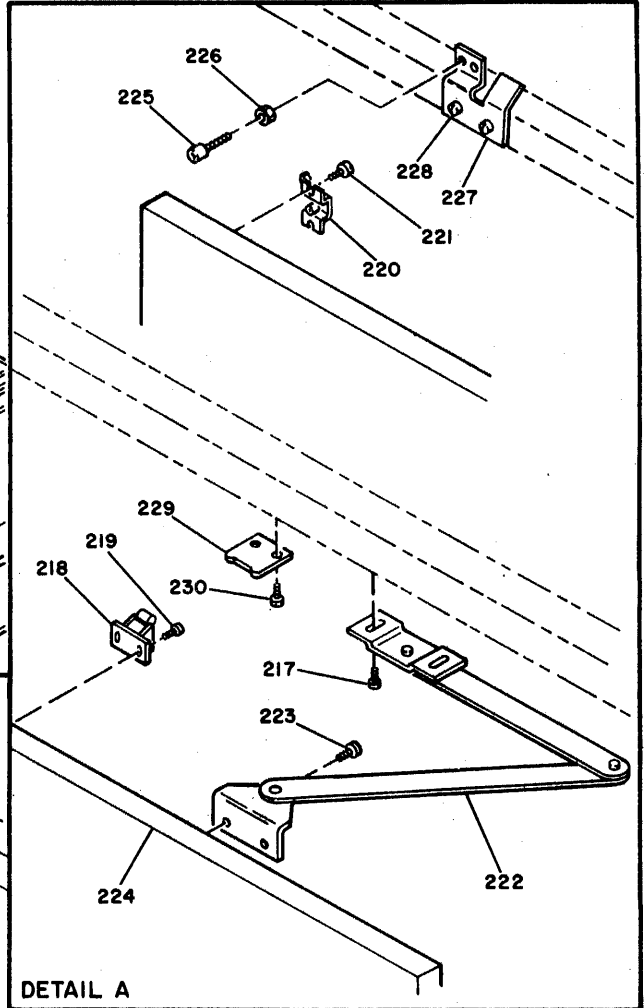
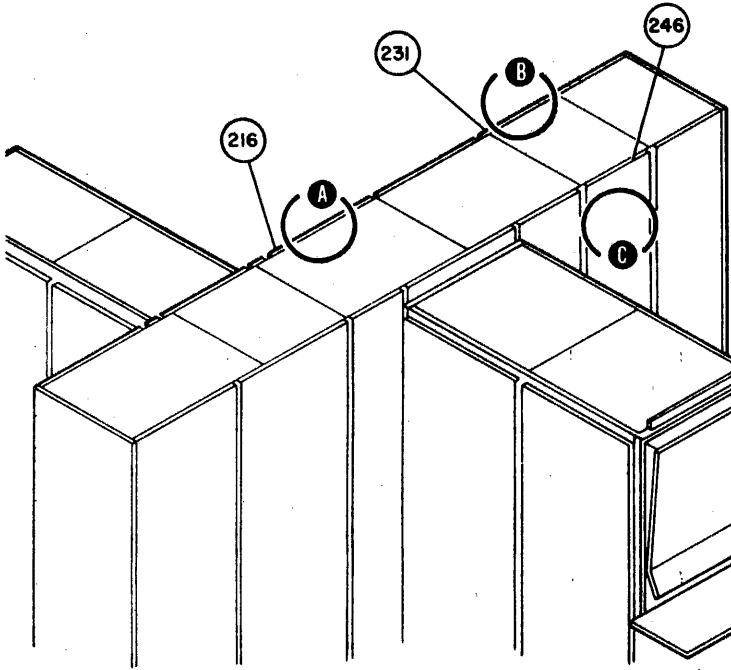


FIGURE 1. COVER AND SHIPPING GROUPS. SHEET 5 OF 7. INDEX NOS. 216-254. SEE LIST 1.

LIST AND INDEX NUMBER	PART NUMBER	DESCRIPTION	UNITS	USABLE
			PER ASM.	ON CODE
		1 2 3 4		
1 -216	5420386	• COVER ASSEMBLY, POWER WALL USED FOR ABOVE FLOOR CABLING	1	
-216	5400635	• COVER ASM-VENTED USED FOR BELOW FLOOR CABLING-DOMESTIC	1	
-217	731630	• SCREW, THD FORMING- 10-32 X 0.500 LG ATT PT	10	
-218	513668	• • CATCH, FRICTION LATCH USED ON COVER ASM FOR ABOVE FLR CABLING	1	
-218	513668	• • CATCH, FRICTION LATCH USED ON COVER ASM FOR BELOW FLR CABLING	2	
-219	55726	• • SCREW, MACH-BIND HD 6-32 X .188 LG ATT PT	4	
-220	5407568	• • LATCH ASSEMBLY USED ON COVER ASM FOR ABOVE FLR CABLING SEE INDEX 161 FOR DETAIL BREAKDOWN	1	
-221	58207	• • SCREW, MACH-UNDRCT BIND HD 8-32 X 1/4 LG ATT PT	2	
-222	5372921	• • MECHANISM ASSEMBLY, STAY	1	
-223	58207	• • SCREW, MACH-UNDRCT BIND HD 8-32 X 1/4 LG ATT PT	2	
-224	5418132	• • COVER, VENTED	1	
-224	5400633	• • COVER-VENTED USED ON COVER ASM FOR ABOVE FLR CABLING USED ON COVER ASM FOR BELOW FLR CABLING	1	
-225	5418113	• BUMPER	2	
-226	257189	• NUT, HEX- 8-32 ATT PT	2	
-227	5407565	• STRIKE, LATCH	1	
-228	28413	• SCREW, MACH-BIND HD 10-32 X 5/16 LG ATT PT	2	
-229	513669	• STRIKE-FRICTION LATCH	1	
-230	731626	• SCREW, PAN HEAD, 6-32 X .25 LONG ATT PT	2	
-231	5420450	• COVER ASSEMBLY, VENTED USED FOR WORLD TRADE	1	
-231	5418134	• COVER ASM, VENTED	1	
-232	731630	• SCREW, THD FORMING- 10-32 X 0.500 LG ATT PT	10	
-233	513668	• • CATCH, FRICTION LATCH USED ON COVER ASM-WORLD TRADE	1	
-233	513668	• • CATCH, FRICTION LATCH USED ON COVER ASM-DOMESTIC	2	
-234	55726	• • SCREW, MACH-BIND HD 6-32 X .188 LG ATT PT	4	
-235	5407568	• • LATCH ASSEMBLY USED ON COVER ASM-WORLD TRADE	1	
-236	58207	• • SCREW, MACH-UNDRCT BIND HD 8-32 X 1/4 LG ATT PT	2	
-237	5372921	• • MECHANISM ASSEMBLY, STAY	1	
-238	186759	• • SCREW, MACH-BIND HD 8-32 X 5/16 LG ATT PT	2	
-239	5420448	• • COVER, VENTED USED ON COVER ASM-WORLD TRADE	1	
-239	5418135	• • COVER, VENTED USED ON COVER ASM-DOMESTIC	1	
-240	5407565	• STRIKE, LATCH	1	
-241	28413	• SCREW, MACH-BIND HD 10-32 X 5/16 LG ATT PT	2	
-242	5418113	• BUMPER	2	
-243	257189	• NUT, HEX- 8-32 ATT PT	2	
-244	513669	• STRIKE-FRICTION LATCH	1	
-245	731626	• SCREW, PAN HEAD, 6-32 X .25 LONG ATT PT	2	
-246	5403741	• COVER ASSEMBLY, REAR, LH	2	
-247	731630	• SCREW, THD FORMING- 10-32 X 0.500 LG ATT PT	20	
-248	513668	• • CATCH, FRICTION LATCH	2	
-249	55726	• • SCREW, MACH-BIND HD 6-32 X .188 LG ATT PT	2	
-250	5373048	• • SEAL-VENTED COVER	1	
-251	58207	• • SCREW, MACH-UNDRCT BIND HD 8-32 X 1/4 LG ATT PT	7	
-252	5372922	• • STAY MECHANISM ASM-LH	1	
-253	58207	• • SCREW, MACH-UNDRCT BIND HD 8-32 X 1/4 LG ATT PT	2	
-254	5373001	• • COVER, VENTED, HINGED, LH	1	

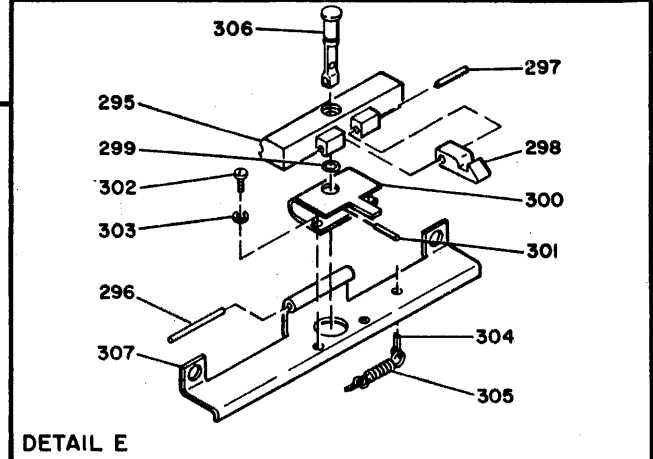
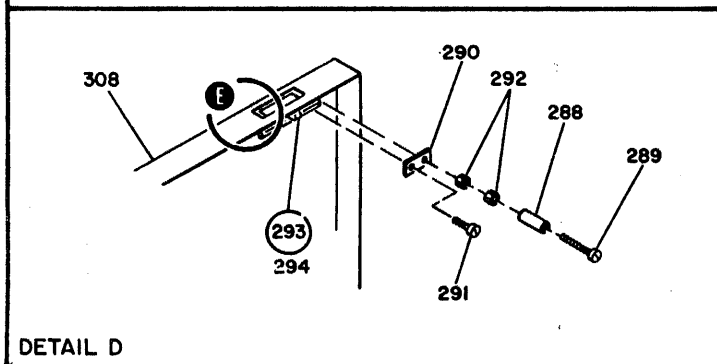
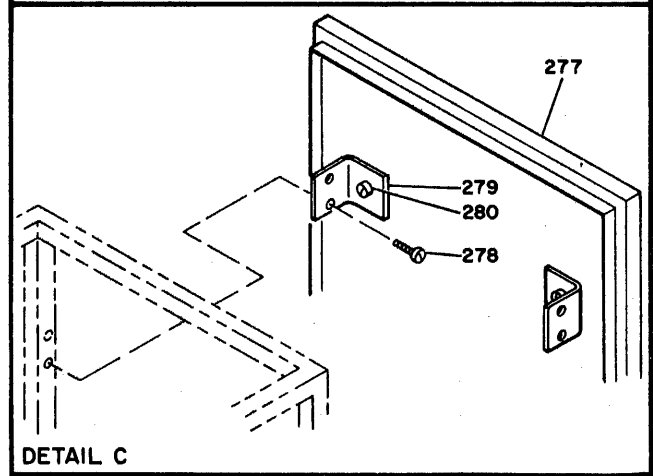
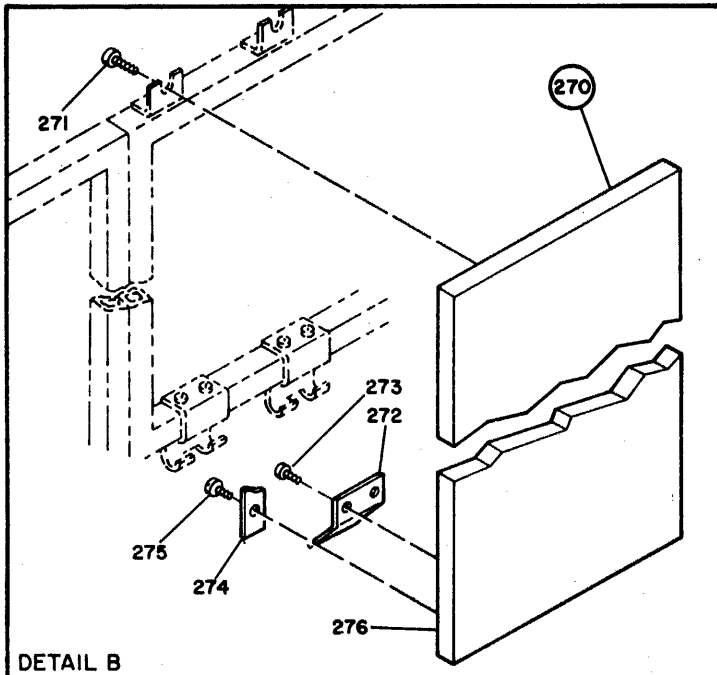
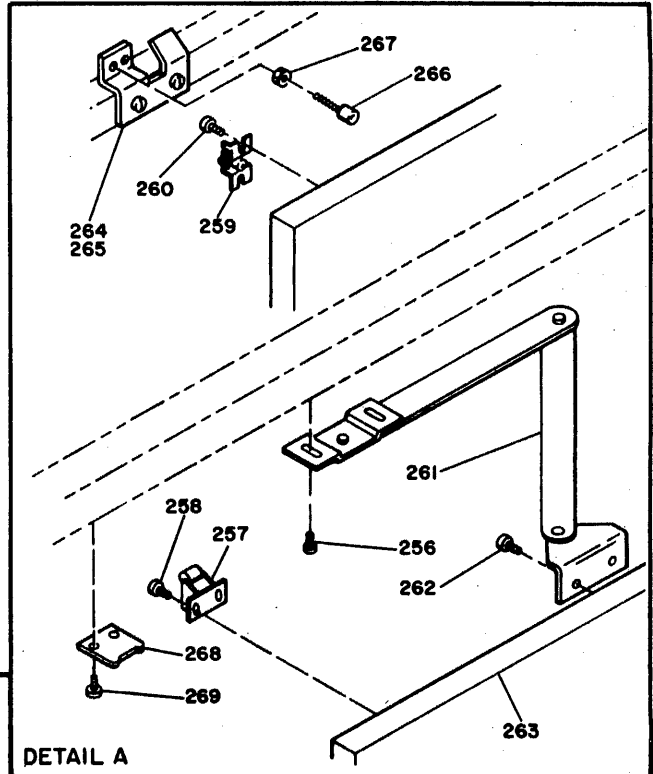
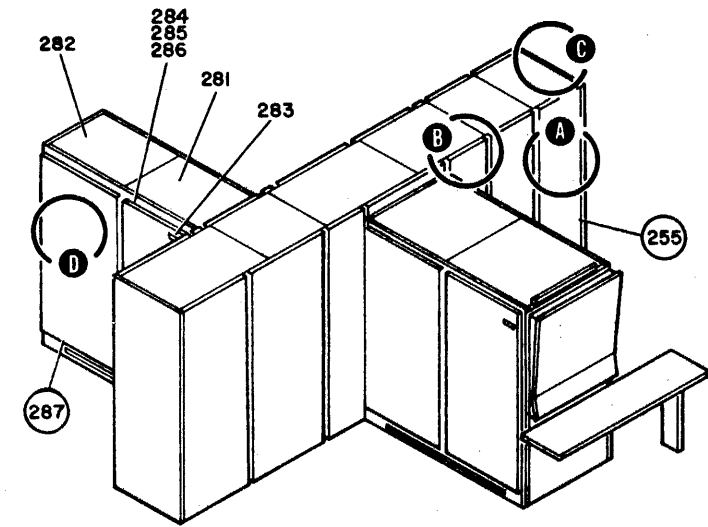


FIGURE 1. COVER AND SHIPPING GROUPS. SHEET 6 OF 7. INDEX NOS. 255-308. SEE LIST 1.

LIST AND INDEX NUMBER	PART NUMBER	DESCRIPTION	UNITS PER ASM.	USABLE ON CODE
1 -255	5420449	. COVER ASSEMBLY, VENTED USED FOR WORLD TRADE	1	
-255	5403472	. COVER ASSEMBLY, VENTED USED FOR DOMESTIC	1	
-256	731630	. SCREW, THD FORMING- 10-32 X 0.500 LG ATT PT	10	
-257	513668	. . CATCH, FRICTION LATCH USED ON COVER ASM-WORLD TRADE	1	
-257	513668	. . CATCH, FRICTION LATCH USED ON COVER ASM-DOMESTIC	2	
-258	55726	. . SCREW, MACH-BIND HD 6-32 X .188 LG ATT PT	2	
-259	5407568	. . LATCH ASSEMBLY	1	
-260	58207	USED ON COVER ASM-WORLD TRADE SEE INDEX 161 FOR DETAIL BREAKDOWN . . SCREW, MACH-UNDRCT BIND HD 8-32 X 1/4 LG ATT PT	2	
-261	5372921	. . MECHANISM ASSEMBLY, STAY	1	
-262	186759	. . SCREW, MACH-BIND HD 8-32 X 5/16 LG ATT PT	2	
-263	5420447	. . COVER, VENTED	1	
-263	5373000	USED ON COVER ASM-WORLD TRADE . . COVER, VENTED, HINGED, RH	1	
-264	5407565	. STRIKE, LATCH	1	
-265	28413	. SCREW, MACH-BIND HD 10-32 X 5/16 LG ATT PT	2	
-266	5418113	. BUMPER	2	
-267	257189	. NUT, HEX- 8-32 ATT PT	2	
-268	513669	. STRIKE-FRICTION LATCH	1	
-269	731626	. SCREW, PAN HEAD, 6-32 X .25 LONG ATT PT	2	
-270	5400519	. COVER ASM-VENTED	1	
-271	34512	. SCREW, BIND, HD 8-32 X .375 LG ATT PT	2	
-272	5373051	. BRACKET-COVER	2	
-273	58207	. . SCREW, MACH-UNDRCT BIND HD 8-32 X 1/4 LG ATT PT	4	
-274	5373048	. . SEAL-VENTED COVER	1	
-275	58207	. . SCREW, MACH-UNDRCT BIND HD 8-32 X 1/4 LG ATT PT	7	
-276	5373060	. . COVER-VENTED	1	
-277	5729268	. COVER	1	
-277	5373004	USED FOR ABOVE FLOOR CABLING . COVER END	1	
-278	731630	USED FOR BELOW FLOOR CABLING . SCREW, THD FORMING- 10-32 X 0.500 LG ATT PT	8	
-279	5372883	. BRACKET-TOP	4	
-280	34512	. SCREW, BIND, HD 8-32 X .375 LG ATT PT	4	
-281	5373177	. COVER, TOP	1	
-282	5373176	. COVER, TOP	1	
-283	5364309	. LABEL-ENGLISH	1	
-283	5364317	. LABEL-FRENCH	1	
-283	5364319	. LABEL-GERMAN	1	
-284	5397728	. COVER ASSEMBLY-RED	1	
-284	5397729	. COVER ASSEMBLY-YELLOW	1	
-284	5397731	. COVER ASSEMBLY-BLUE	1	
-284	5397732	. COVER ASSEMBLY-GRAY	1	
-285	731630	. SCREW, THD FORMING- 10-32 X 0.500 LG ATT PT	6	
-286	5407422	. SCREW, SHOULDER 10- 32 X .020 OD ATT PT	1	
-287	5400510	. COVER ASM-SOLID BLUE	1	
-287	5400511	. COVER ASM-SOLID GRAY	1	
-287	5400512	. COVER ASM-SOLID RED	1	
-287	5400513	. COVER ASM-SOLID YELLOW	1	
-287	5420375	USED FOR DOMESTIC SEE INDEX 106 FOR DETAIL BREAKDOWN . COVER ASSEMBLY-BLUE	1	
-287	5420376	. COVER ASSEMBLY-GREY	1	
-287	5420377	. COVER ASSEMBLY-RED	1	
-287	5420378	. COVER ASSEMBLY-YELLOW	1	
-288	597671	. . BUMPER	2	
-289	5644	. . SCREW, MACH-FIL H 6-32 X 5/8 LG ATT PT	2	
-290	5373035	. . BASE-BUMPER	2	
-291	5528	. . SCREW, MACH BIND HD 8-32 X .625 LG ATT PT	2	
-292	257187	. . NUT, PLAIN, HEX- 6-32 X 3/8 FL W ATT PT	4	
-293	5418270	. . LATCH ASSEMBLY, LOCKING	1	
-294	34512	. . SCREW, BIND, HD 8-32 X .375 LG ATT PT	1	
-295	5420367	. . . BODY-LATCH	1	
-296	5420373	. . . BODY, PIN	1	
-297	5420372	. . . PIN-CATCH	1	
-298	5420369	. . . CATCH	1	
-299	332747	. . . RING, RETAINING-EXT 0.207 ID X 0.025 THK	1	
-300	5420370	. . . SPRING	1	

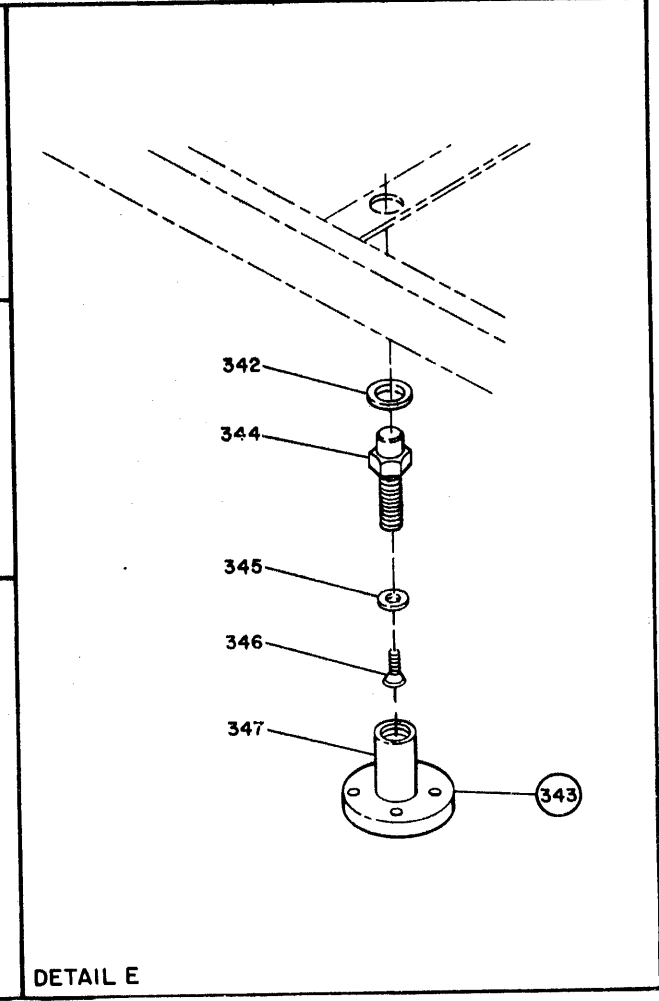
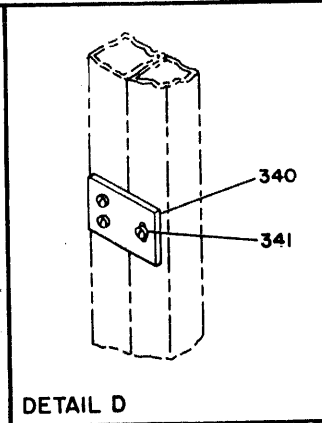
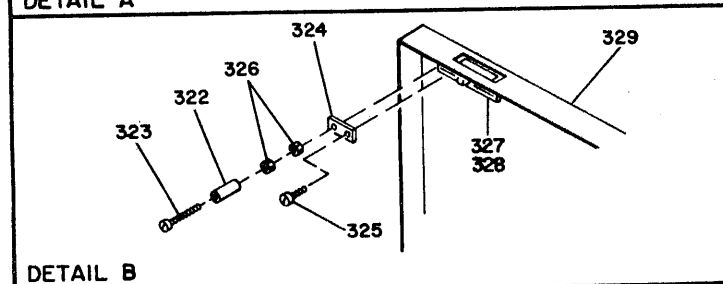
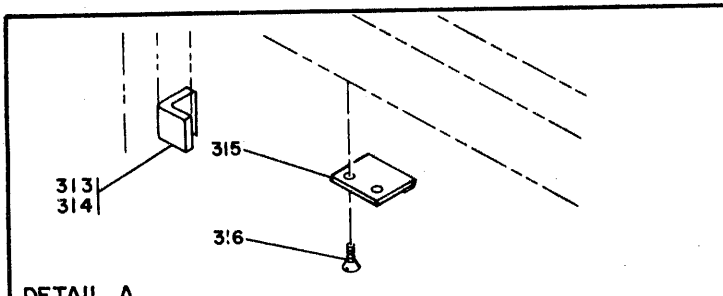
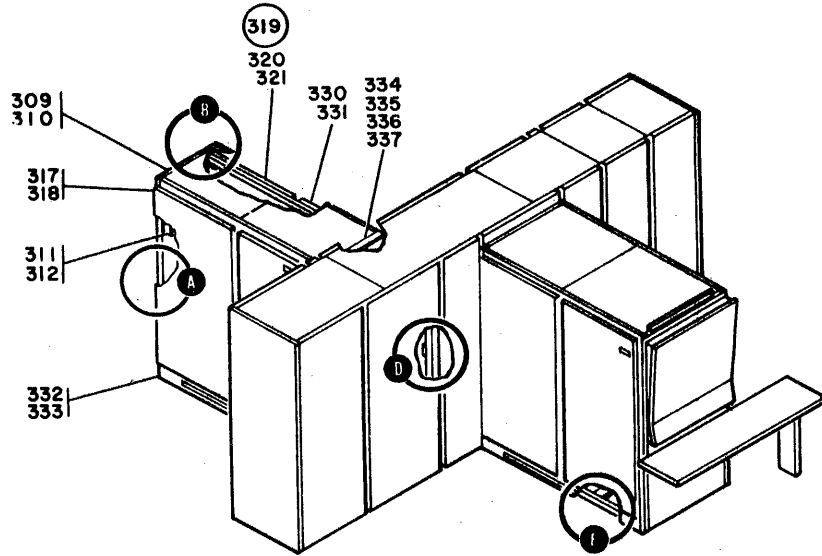


FIGURE 1. COVER AND SHIPPING GROUPS. SHEET 7 OF 7. INDEX NOS. 309-347. SEE LIST 1.

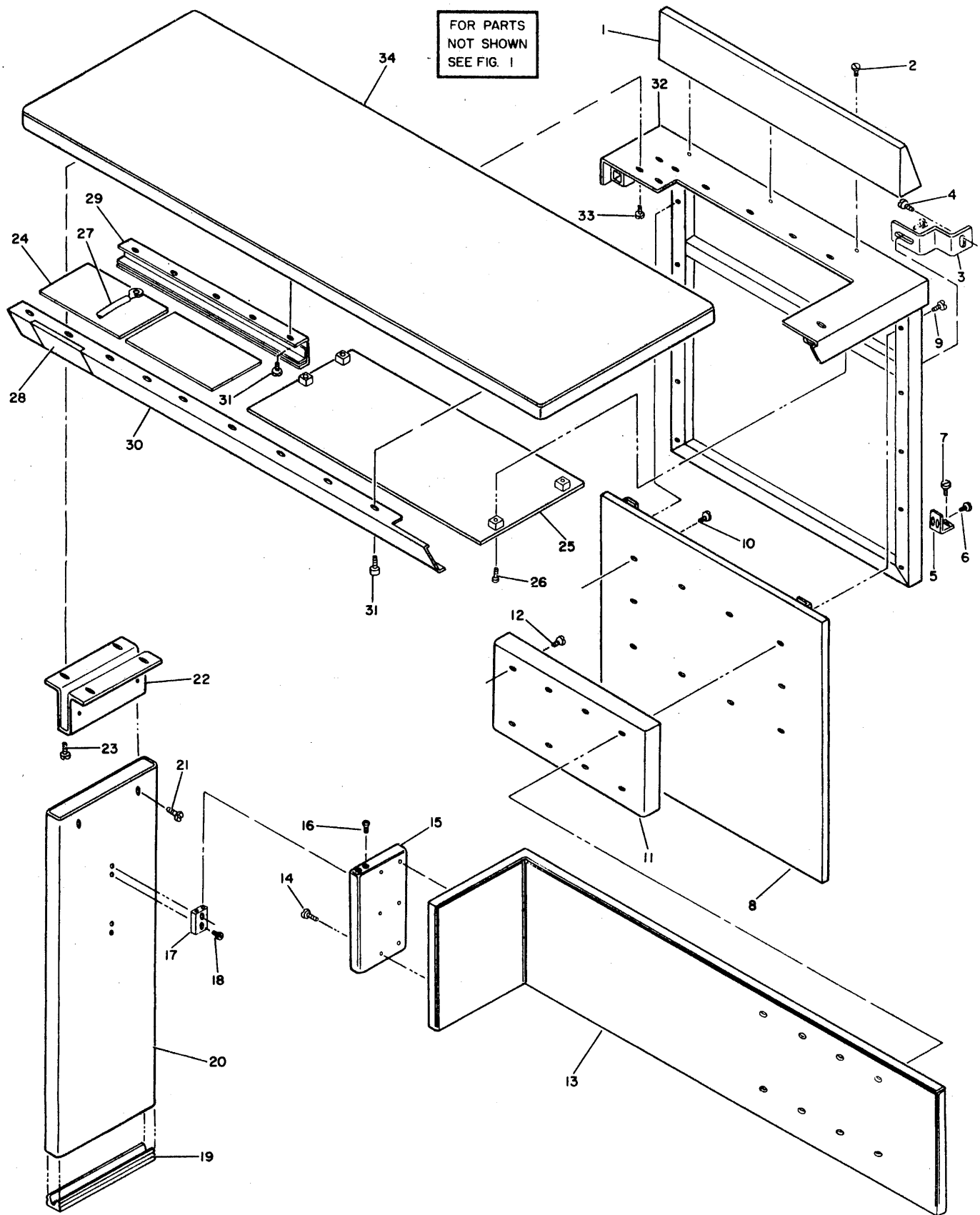
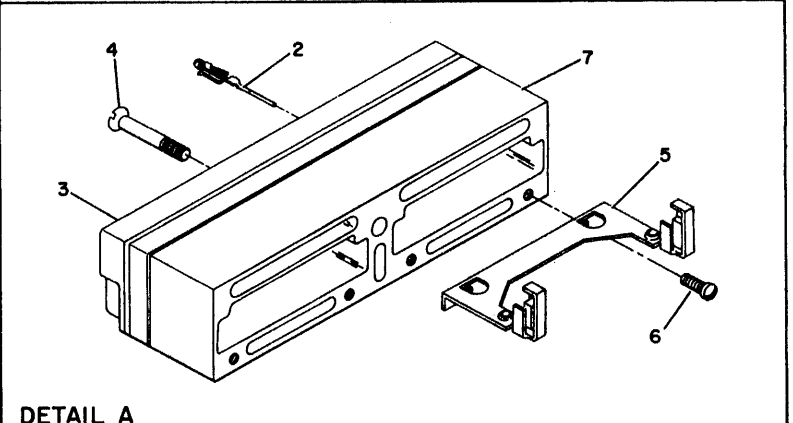
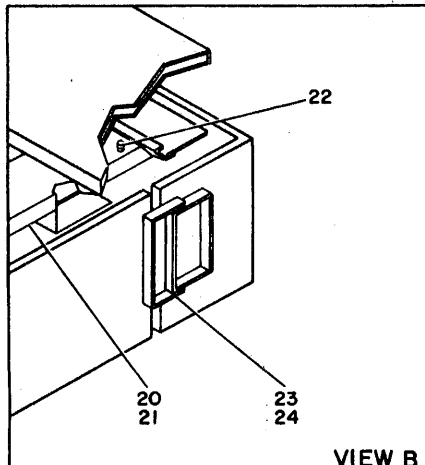
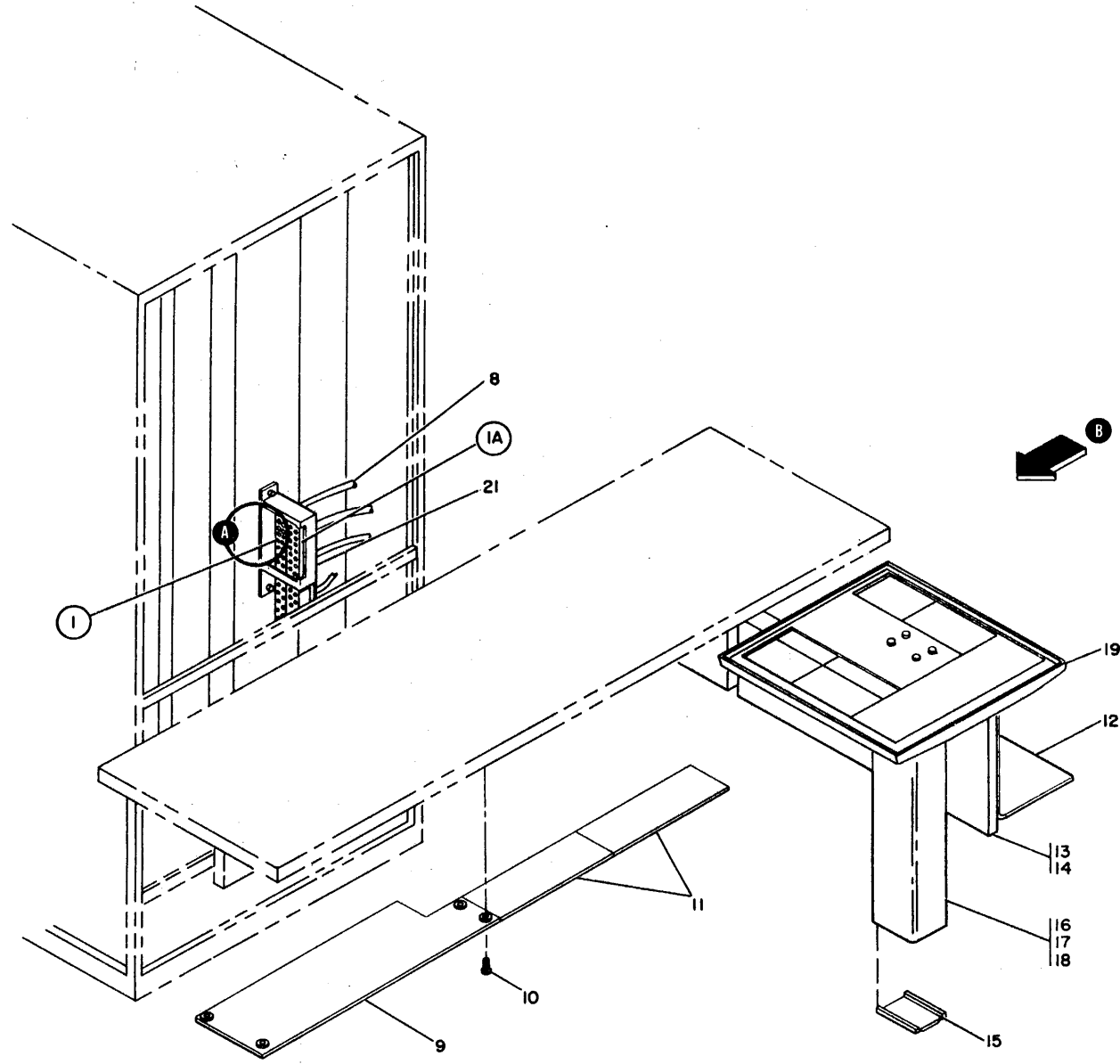


FIGURE 2. LH AND RH CONSOLE TABLES. SEE LIST 2.

LIST AND INDEX NUMBER	PART NUMBER	DESCRIPTION	UNITS PER ASM.	USABLE ON CODE
		LH AND RH CONSOLE TABLES		
2 -	5373131 NP	CONSOLE TABLE, LH SEE FIG. 1-2 FOR NEXT HIGHER ASSEMBLY AND FIG. 2 FOR ILLUSTRATION		
-	5373130 NP	CONSOLE TABLE, RH SEE FIG. 1-1 FOR NEXT HIGHER ASSMEBLY AND FIG. 2 FOL ILLUSTRATION		
- 1	5443261	• COVER, CONSOLE	1	
- 2	32042	• SCREW, MACH BIND. HD 10-32 X 3/8 LG.	3	
- 3	5373134	• BRACKET	2	
- 4	32042	• SCREW, MACH BIND. HD 10-32 X 3/8 LG.	4	
- 5	5373097	• BRACKET	2	
- 6	28413	• SCREW, MACH-BIND HD 10-32 X 5/16 LG	4	
- 7	32042	• SCREW, MACH BIND. HD 10-32 X 3/8 LG.	2	
- 8	5373128	• COVER-LOWER CONSOLE	1	
- 9	32042	• SCREW, MACH BIND. HD 10-32 X 3/8 LG.	10	
- 10	601185	• SCREW, PAN HEAD- 10-16 X 1/2 LG	10	
- 11	5443252	• SPACER, FRONT	1	
- 12	83606	• SCREW, THD CTG-BIND HD 10-32 X 5/16 LG	8	
- 13	5443265	• PANEL MODESTY-LH	1	
- 13	5443266	• PANEL MODESTY- RH	1	
- 14	83606	• SCREW, THD CTG-BIND HD 10-32 X 5/16 LG	6	
- 15	5443262	• SPACER, SHORT END	1	
- 16	749089	• SCREW, MACH-FH CROSS TIE 10-32 X 1/2 LG	4	
- 17	5349118	• BLOCK-MTG	2	
- 18	5677	• SCREW, MACH-BIND HD 10-32 X 3/4 LG	4	
- 19	5349125	• GLIDE LEG	1	
- 20	5349116	• LEG-CONSOLE	1	
- 21	32042	• SCREW, MACH BIND. HD 10-32 X 3/8 LG.	2	
- 22	5349115	• BRACKET-MTG	1	
- 23	32042	• SCREW, MACH BIND. HD 10-32 X 3/8 LG.	4	
- 24	5349152	• COVER, RACEWAY	2	
- 25	5443256	• COVER, RACEWAY-LH	1	
- 25	5443255	• COVER, RACEWAY- RH	1	
- 26	5677	• SCREW, MACH-BIND HD 10-32 X 3/4 LG	4	
- 27	594234	• JUMPER ASSEMBLY SEE FIG. 79-48 FOR COMPONENT PARTS	2	
- 28	5349195	• COVER-RAIL- LH	1	
- 28	5349174	• COVER, RAIL- RH	1	
- 29	5443253	• RAIL, COVER MOUNTING-LH	1	
- 29	5443254	• RAIL, COVER MOUNTING- RH	1	
- 30	5443263	• RAIL, RACEWAY COVER MOUNTING-LH	1	
- 30	5443264	• RAIL, RECEWAY COVER MOUNTING- RH	1	
- 31	32042	• SCREW, MACH BIND. HD 10-32 X 3/8 LG.	14	
- 32	5373129	• FRAME-LH CONSOLE	1	
- 32	5373126	• FRAME- RH CONSOLE	1	
- 33	32042	• SCREW, MACH BIND. HD 10-32 X 3/8 LG.	12	
- 34	5349192	• TABLE-TOP- LH	1	
- 34	5349114	• TABLE-TOP- RH	1	
		LIST 3 DELETED		



VIEW B DETAIL A

FIGURE 4. LH AND RH 1052 ADAPTER. SEE LIST 4.

LIST AND INDEX NUMBER	PART NUMBER	DESCRIPTION				UNITS PER ASM.	USABLE ON CODE
		1	2	3	4		
		LH AND RH 1052 ADAPTER					
4 -		CODE A USED ON LH ADAPTER CODE B USED ON RH ADAPTER					
-	5363826 NP	1052 ADAPTER, LH					
-	5363827 NP	1052 ADAPTER, RH					
-		SEE FIG. 4 FOR ILLUSTRATION					
- 1	5362304	. CONNECTOR ASSEMBLY, A STYLE				2	
- 1A	5362305	. CONNECTOR ASSEMBLY, B STYLE				2	
- 2	5362303	. . CONTACT AND PIN ASSEMBLY				48	
- 3	5353867	. . BLOCK, CONNECTOR-A STYLE USED ON CONNECTOR ASM 5362304				1	
- 3	5353868	. . BLOCK, CONNECTOR-B STYLE USED ON CONNECTOR ASM 5362305				1	
- 4	109918	. . SCREW, THD CUTTING-FLAT HD 4-40 X 1/2 LG ATT PT				2	
- 5	5353895	. . BRACKET ASSEMBLY				2	
- 6	112628	. . SCREW, THREAD FORMING, BIND HD, 3/8 IN. LG ATT PT				4	
- 7	5353902	. . PIN GUIDE				1	
- 8	5277303	. CABLE ASSEMBLY-POWER ELECTRICAL SEE FIG. 79-22,-25,-35,-42F,-74,-76,-77, -79,-80,-89,-90,-91,-92,-93,-94 AND -95 FOR COMPONENT PARTS				AR	
- 8	5277305	. CABLE ASSEMBLY-POWER ELECTRICAL SEE FIG. 79-22,-25,-29,-34,-35,-42F,-74, -76,-77,-79,-80,-89,-96,-97,-98 AND -99 FOR COMPONENT PARTS				AR	
- 8	5277307	. CABLE ASSEMBLY-POWER ELECTRICAL SEE FIG. 79-22,-71,-74,-76,-77,-82,-83, -89,-92,-93,-95 AND -96 FOR COMPONENT PARTS				AR	
- 8	5364014	. CABLE ASM-KEYBD I/F-LOGIC TO TAIL GATE SEE FIG. 79-59,-74,-77,-90 AND -127 FOR COMPONENT PARTS				AR	
- 8	5364015	. CABLE ASM-PRINTER I/F-LOGIC TO TAIL GATE SEE FIG. 79-59,-74,-77,-96 AND -127 FOR COMPONENT PARTS				AR	
- 8	5364041	. CABLE ASSEMBLY-1052 POWER SEE FIG. 79-25,-40,-50 AND -61 FOR COMPONENT PARTS				AR	
- 8	5364048	. CABLE ASSEMBLY-OPERATOR CONSOLE SEE FIG. 79-59,-60,-74,-77 AND -90 FOR COMPONENT PARTS				AR	
- 8	5364073	. CABLE ASSEMBLY-TAIL GATE JUMPER SEE FIG. 79-74,-76,-77,-89,-90 AND -90A FOR COMPONENT PARTS				AR	
- 8	5364077	. CABLE ASSEMBLY-1052 ALARM SEE FIG. 79-11,-38,-54 AND -59 FOR COMPONENT PARTS				AR	
- 9	5443256	. COVER, RACEWAY-LH				1	A
- 9	5443255	. COVER, RACEWAY-RH				1	B
- 10	5677	. SCREW, MACH-BIND HD 10-32 X 3/4 LG ATT PT				4	
- 11	5349152	. COVER, RACEWAY				2	
- 12	5349429	. TRAY, R.H.				1	
- 13	5443250	. SKIRT, MODESTY-LH				1	A
- 13	5443249	. SKIRT, MODESTY-RH				1	B
- 14	55901	. WASHER, LOCK-EXT TEETH NO. 8 X 0.381 OD ATT PT				6	
- 15	5348453	. GLIDE-LEG				1	
- 16	5348452	. LEG-1052 TABLE				1	
- 17	232	. SCREW, MACH-FIL HD 10-32 X 1/2 LG ATT PT				4	
- 18	55901	. WASHER, LOCK-EXT TEETH NO. 8 X 0.381 OD ATT PT				4	
- 19	5443257	. TRAY, PRINTER AND KEYBOARD-LH				1	A
- 19	5443258	. TRAY, PRINTER AND KEYBOARD-RH				1	B
- 20	5443260	. COVER				1	
- 21	10170	. SCREW, MACH-BIND HD 6-32 X 1/4 LG ATT PT				4	
- 22	149695	. SCREW, CAP, SOC HD- 10-32 X 1 LG				6	
- 23	5443259	. ADAPTER, SPACER				1	
- 24	5350006	. SCREW, SELF TAPPING, 6-32 X .250 LONG ATT PT				3	

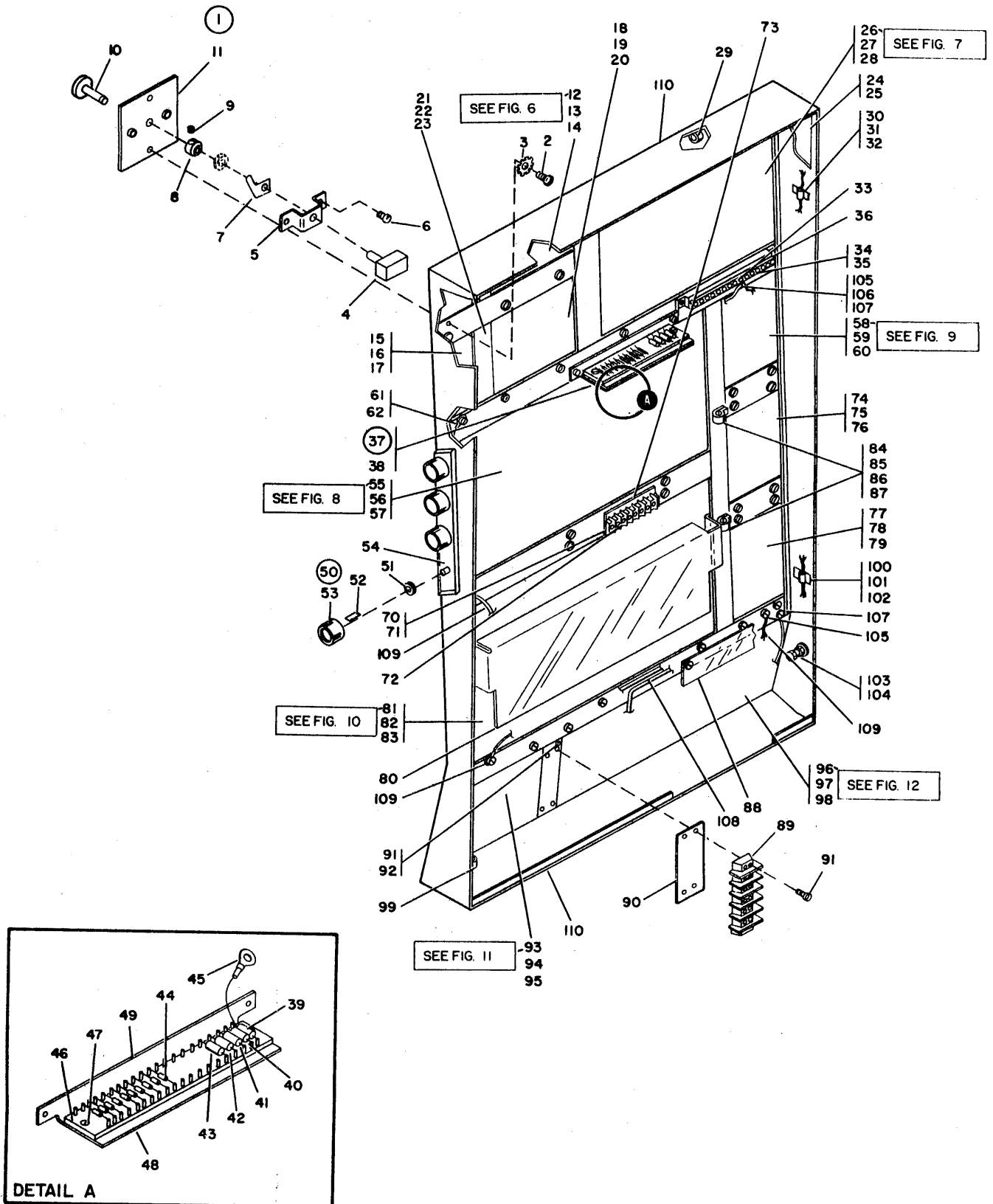


FIGURE 5. C.E. PANEL ASSEMBLY. SEE LIST 5.

LIST AND INDEX NUMBER	PART NUMBER	DESCRIPTION	UNITS PER ASM.	USABLE ON CODE
		1 2 3 4		
		C.E. PANEL ASSEMBLY		
5 -	5365100 NP	C.E. PANEL ASSEMBLY-ENGLISH		
-	5364400 NP	C.E. PANEL ASSEMBLY-FRENCH		
-	5364500 NP	C.E. PANEL ASSEMBLY-GERMAN		
		SEE FIG. 5 FOR ILLUSTRATION		
- 1	5364018	. PANEL C-ENGLISH		1
- 1	5364361	. PANEL C-FRENCH		1
- 1	5364458	. PANEL C-GERMAN		1
- 2	34512	. SCREW,BIND.HD 8-32 X .375 LG ATT PT		2
- 3	55901	. WASHER,LOCK-EXT TEETH NO. 8 X 0.381 OD ATT PT		2
- 4	482219	. . SWITCH,PUSH PULL-DPDT		1
- 5	5363971	. . BRACKET-SWITCH MTG		1
- 6	186759	. . SCREW,MACH-BIND HD 8-32 X 5/16 LG ATT PT		2
- 7	479999	. . SPRING, SAFETY		1
- 8	482188	. . COLLAR-PULL SWITCH DETENT		1
- 9	257965	. . SETSCREW-SPLINE DR CUP PT 4-40 X 3/8 LG ATT PT		1
- 10	482192	. . STEM AND FLANGE ASSEMBLY-ENGLISH		1
- 10	5352111	. . STEM AND FLANGE ASSEMBLY-FRENCH		1
- 10	5352128	. . STEM AND FLANGE ASSEMBLY-GERMAN		1
- 11	5363909	. . PANEL C-CONSOLE		1
- 12	5364017	. PANEL B ASM-ENGLISH		1
- 12	5364357	. PANEL B ASM-FRENCH		1
- 12	5364455	. PANEL B ASM-GERMAN		1
		SEE FIG. 6 FOR DETAIL BREAKDOWN		
- 13	34512	. SCREW,BIND.HD 8-32 X .375 LG ATT PT		4
- 14	55901	. WASHER,LOCK-EXT TEETH NO. 8 X 0.381 OD ATT PT		4
- 15	5363861	. PANEL E		1
- 16	34512	. SCREW,BIND.HD 8-32 X .375 LG ATT PT		2
- 17	55901	. WASHER,LOCK-EXT TEETH NO. 8 X 0.381 OD ATT PT		2
- 18	5364312	. PANEL D-ENGLISH		1
- 18	5365616	. PANEL D-FRENCH		1
- 18	5365614	. PANEL D-GERMAN		1
- 19	34512	. SCREW,BIND.HD 8-32 X .375 LG ATT PT		4
- 20	55901	. WASHER,LOCK-EXT TEETH NO. 8 X 0.381 OD ATT PT		4
- 21	5393915	. PANEL D/E-ENGLISH		1
- 21	5364362	. PANEL D/E-FRENCH		1
- 21	5364460	. PANEL D/E-GERMAN		1
- 22	34512	. SCREW,BIND.HD 8-32 X .375 LG ATT PT		4
- 23	55901	. WASHER,LOCK-EXT TEETH NO. 8 X 0.381 OD ATT PT		4
- 24	5365452	. COVER,DUST		1
- 25	10170	. SCREW,MACH-BIND HD 6-32 X 1/4 LG ATT PT		4
- 26	5364016	. PANEL A ASM-ENGLISH		1
- 26	5364357	. PANEL A ASM-FRENCH		1
- 26	5364455	. PANEL A ASM-GERMAN		1
		SEE FIG. 7 FOR DETAIL BREAKDOWN		
- 27	34512	. SCREW,BIND.HD 8-32 X .375 LG ATT PT		6
- 28	55901	. WASHER,LOCK-EXT TEETH NO. 8 X 0.381 OD ATT PT		6
- 29	532393	. CLAMP-ADJUSTABLE CABLE		2
- 30	2114111	. CRADLE,CABLE		1
- 31	2114110	. CLIP		1
- 32	186758	. SCREW,MACH-BIND HD 8-32 X 0.438 ATT PT		1
- 33	58207	. SCREW,MACH-UNDRCT BIND HD 8-32 X 1/4 LG		11
- 34	5235293	. BUS BAR		1
- 35	25627	. SCREW-BD. HD 8-32 X .500 LG ATT PT		4
- 36	5364028	. INSULATOR		1
- 37	5364033	. RESISTOR BOARD ASM		1
- 38	25627	. SCREW-BD. HD 8-32 X .500 LG ATT PT		2
- 39	5350096	. . RESISTOR,PRECISION,WV-99.9K P/M .02% 1/2W		1
- 40	5350095	. . RESISTOR,PRECISION,WV-49.9K P/M .02% 1/2W		1
- 41	5350094	. . RESISTOR,PRECISION,WV-9.9K P/M .02% 1/2W		1
- 42	5350093	. . RESISTOR,PRECISION,WV-4.9K P/M .02% 1/2W		1
- 43	5364079	. . RESISTOR,FXD,WV- 19.9K P/M .02% 1/2W		1
- 44	216448	. . RESISTOR,FIXED-COMP 1.3K P/M 5% 1/4W		10
- 45	92784	. . TERMINAL-RING,18-20 AWG #8 HOLE,INS		1
- 46	5364031	. . TERMINAL BOARD ASM		1
- 47	10170	. . SCREW,MACH-BIND HD 6-32 X 1/4 LG ATT PT		2
- 48	5364032	. . INSULATOR		1
- 49	5364029	. . BRACKET-TERM BOARD MTG		1
- 50	482221	. KNOB ASSEMBLY,ROTARY		4
- 51	5349203	. SPACER- 0.625 OD X 0.06 THK		4
- 52	482195	. . SPRING-CONTROL KNOB		1
- 53	482217	. . KNOB ASSEMBLY,ROTARY		1
- 54	5364024	. PANEL K-ENGLISH-INSTRUCTION		1
- 54	5364396	. PANEL K-FRENCH-INSTRUCTION		1
- 54	5364491	. PANEL K-GERMAN-INSTRUCTION		1

LIST AND INDEX NUMBER	PART NUMBER	DESCRIPTION	UNITS PER ASM.	USABLE ON CODE
5 - 55	5363883	• PANEL G ASM-ENGLISH	1	
- 55	5364374	• PANEL G ASM-FRENCH	1	
- 55	5364487	• PANEL G ASM-GERMAN	1	
- 56	34512	SEE FIG. 8 FOR DETAIL BREAKDOWN • SCREW,BIND.HD 8-32 X .375 LG ATT PT	6	
- 57	55901	• WASHER,LOCK-EXT TEETH NO. 8 X 0.381 OD ATT PT	6	
- 58	5364019	• PANEL F ASM-ENGLISH	1	
- 58	5364368	• PANEL F ASM-FRENCH	1	
- 58	5364464	• PANEL F ASM-GERMAN	1	
- 59	34512	SEE FIG. 9 FOR DETAIL BREAKDOWN • SCREW,BIND.HD 8-32 X .375 LG ATT PT	4	
- 60	55901	• WASHER,LOCK-EXT TEETH NO. 8 X 0.381 OD ATT PT	4	
- 61	615674	• JUMPER ASSEMBLY SEE FIG. 79-42B AND -126 FOR COMPONENT PARTS	AR	
- 62	55901	• WASHER,LOCK-EXT TEETH NO. 8 X 0.381 OD ATT PT	5	
- 70	5364099	• BUS BAR	1	
- 71	25627	• SCREW-BD. HD 8-32 X .500 LG ATT PT	4	
- 72	58207	• SCREW,MACH-UNDRCT BIND HD 8-32 X 1/4 LG	5	
- 73	5364098	• INSULATOR,BUS BAR	1	
- 74	5363866	• PANEL 4	1	
- 75	34512	• SCREW,BIND.HD 8-32 X .375 LG ATT PT	4	
- 76	55901	• WASHER,LOCK-EXT TEETH NO. 8 X 0.381 OD ATT PT	4	
- 77	5363879	• PANEL J-ENGLISH	1	
- 77	5364408	• PANEL J-FRENCH	1	
- 77	5364489	• PANEL J-GERMAN	1	
- 78	34512	• SCREW,BIND.HD 8-32 X .375 LG ATT PT	4	
- 79	55901	• WASHER,LOCK-EXT TEETH NO. 8 X 0.381 OD ATT PT	4	
- 80	5365454	• COVER,DUST	1	
- 81	5363881	• PANEL L ASM-ENGLISH	1	
- 81	5364403	• PANEL L ASM-FRENCH	1	
- 81	5364467	• PANEL L ASM-GERMAN	1	
- 82	34512	SEE FIG. 10 FOR DETAIL BREAKDOWN • SCREW,BIND.HD 8-32 X .375 LG ATT PT	6	
- 83	55901	• WASHER,LOCK-EXT TEETH NO. 8 X 0.381 OD ATT PT	6	
- 84	327923	• CLAMP,CABLE	2	
- 85	34512	• SCREW,BIND.HD 8-32 X .375 LG ATT PT	2	
- 86	1090873	• WASHER,LOCK,SPLIT RING- .168 ID, .296 OD ATT PT	2	
- 87	36883	• SPACER- 8-32 EXT AND INT THD 1-3/8 LG ATT PT	2	
- 88	5365453	• COVER,DUST	1	
- 89	2101338	• STRIP-TERMINAL,5 POS	1	
- 90	2101358	• MARKER-TERMINAL,5 POS	1	
- 91	322550	• SCREW	5	
- 92	56722	• WASHER,LOCK-EXT TEETH NO. 6	1	
- 93	5364023	• PANEL N ASM-ENGLISH	1	
- 93	5364395	• PANEL N ASM-FRENCH	1	
- 93	5364486	• PANEL N ASM-GERMAN	1	
- 94	34512	SEE FIG. 11 FOR DETAIL BREAKDOWN • SCREW,BIND.HD 8-32 X .375 LG ATT PT	4	
- 95	55901	• WASHER,LOCK-EXT TEETH NO. 8 X 0.381 OD ATT PT	4	
- 96	5363884	• PANEL M ASM-ENGLISH	1	
- 96	5364387	• PANEL M ASM-FRENCH	1	
- 96	5364479	• PANEL M ASM-GERMAN	1	
- 97	34512	SEE FIG. 12 FOR DETAIL BREAKDOWN • SCREW,BIND.HD 8-32 X .375 LG ATT PT	6	
- 98	55901	• WASHER,LOCK-EXT TEETH NO. 8 X 0.381 OD ATT PT	6	
- 99	532393	• CLAMP-ADJUSTABLE CABLE	2	
-100	2114111	• CRADLE,CABLE	1	
-101	349902	• CLIP	1	
-102	186758	• SCREW,MACH-BIND HD 8-32 X 0.438 ATT PT	1	
-103	149908	• SCREW,CAP,SOC HD- 1/4-20 X 1 LG	1	
-104	3960	• NUT,PLAIN,HEX- 1/4-20 X 7/16 FL W	1	
-105	257189	• NUT,HEX- 8-32	3	
-106	55901	• WASHER,LOCK-EXT TEETH NO. 8 X 0.381 OD	3	
-107	58207	• SCREW,MACH-UNDRCT BIND HD 8-32 X 1/4 LG	3	
-108	5363922	• CABLE ASSEMBLY SEE FIG. 79-28,-42B,-100 AND -102 FOR COMPONENT PARTS	AR	
-108	5363974	• CABLE ASSEMBLY-MARG. CHECK SEE FIG. 79-28,-28A,-30,-72,-84,-134 FOR COMPONENT PARTS	AR	
-108	5363980	• CABLE ASSEMBLY-AC CONT. SEE FIG. 79-22,-28,-28A,-30,-38,-42C,-45,-55A,-59,-72,-84,-109,-110 AND -134 FOR COMPONENT PARTS	AR	
-108	5363981	• CABLE ASSEMBLY	AR	

FOR PARTS
NOT SHOWN
SEE FIG. 5

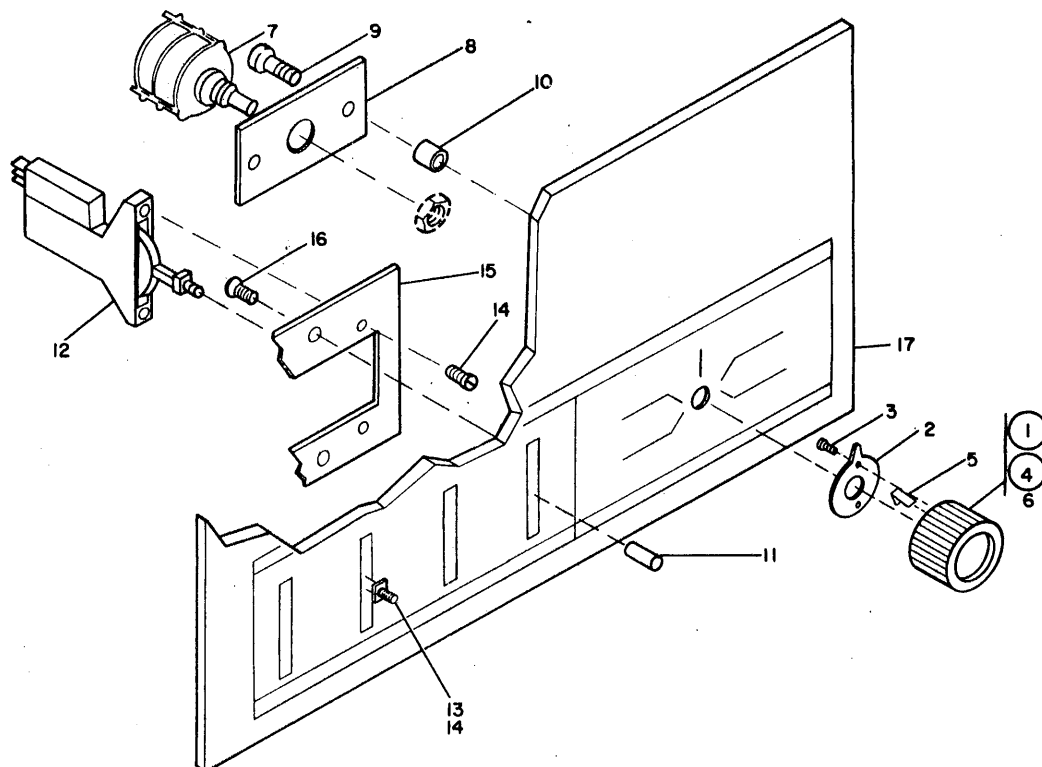


FIGURE 6. PANEL B ASSEMBLY. SEE LIST 6.

LIST AND INDEX NUMBER	PART NUMBER	DESCRIPTION				UNITS PER ASM.	USABLE ON CODE
		1	2	3	4		
		PANEL B ASSEMBLY					
6 -	5364017	PANEL B ASM-ENGLISH				REF	
-	5364357	PANEL B ASM-FRENCH				REF	
-	5364455	PANEL B ASM-GERMAN				REF	
		SEE FIG. 5-12 FOR NEXT HIGHER ASSEMBLY AND FIG. 6 FOR ILLUSTRATION					
- 1	727454	• KNOB ASSEMBLY-MODE SWITCH				1	
- 2	725379	• • POINTER				1	
- 3	1090623	• • • SCREW-Self TAPPING, 3/16 LG. ATT PT				2	
- 4	482221	• • • KNOB ASSEMBLY, ROTARY				1	
- 5	482195	• • • • SPRING-CONTROL KNOB				1	
- 6	482217	• • • • KNOB ASSEMBLY, ROTARY				1	
- 7	5363967	• SWITCH, ROTARY-6 POS				1	
- 8	5363947	• BRACKET-ROTARY SWITCH MTG				1	
- 9	186759	• SCREW, MACH-BIND HD 8-32 X 5/16 LG ATT PT				2	
- 10	5349203	• SPACER- 0.625 OD X 0.06 THK				1	
- 11	5362315	• KNOB-WHITE				4	
- 12	5700640	• SWITCH-LEVER				3	
- 13	5349002	• SWITCH, LEVER				1	
- 14	186712	• SCREW, MACH-BIND HD 3-48 X 3/16 LG ATT PT				8	
- 15	5363944	• PLATE				1	
- 16	186759	• SCREW, MACH-BIND HD 8-32 X 5/16 LG ATT PT				4	
- 17	5363907	• PANEL ASM-ENGLISH				1	
- 17	5364354	• PANEL ASM-FRENCH				1	
- 17	5364454	• PANEL ASM-GERMAN				1	

FOR PARTS
NOT SHOWN
SEE FIG. 5

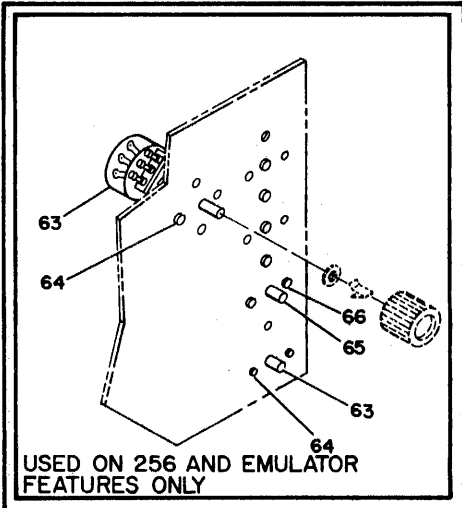
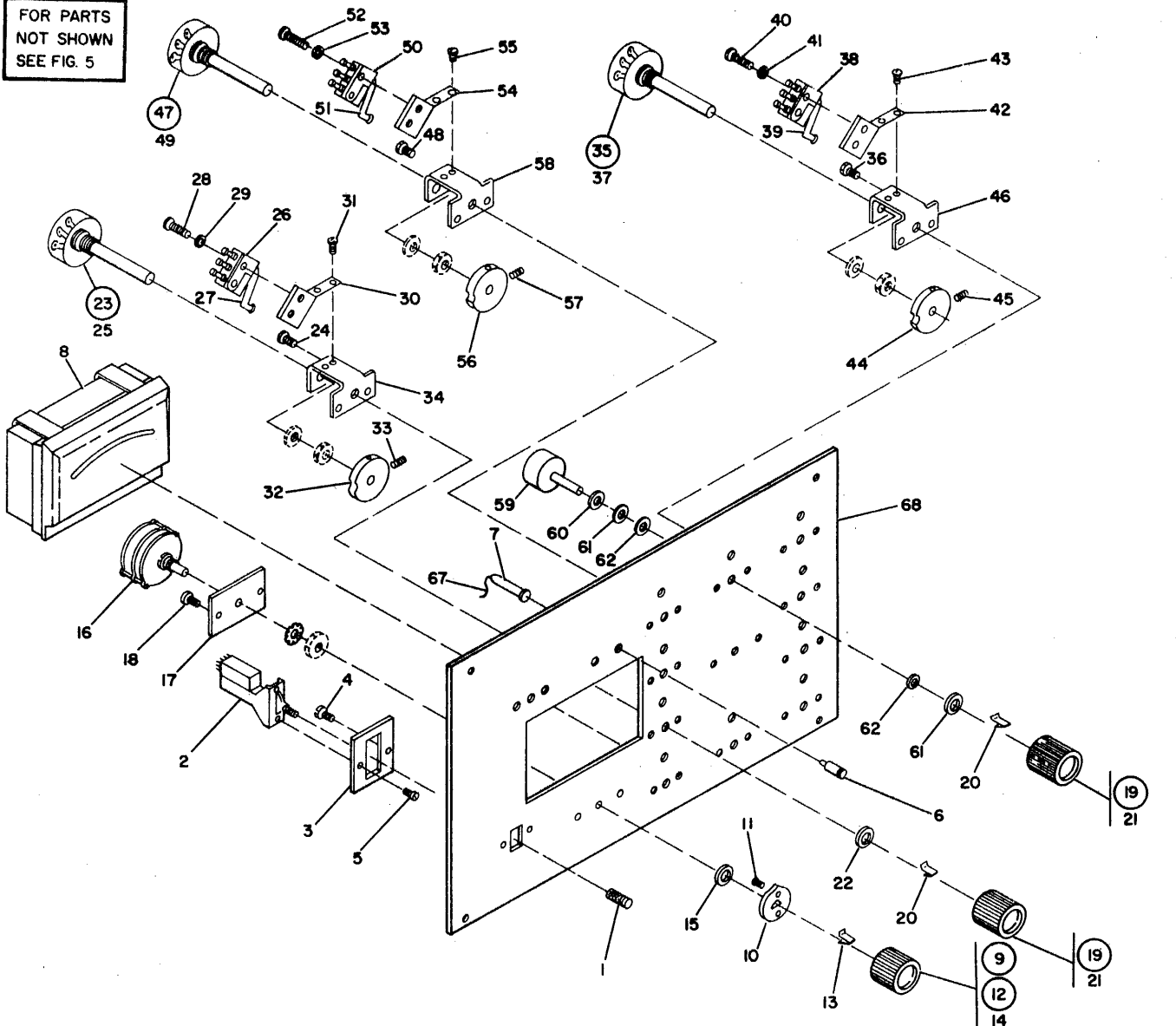
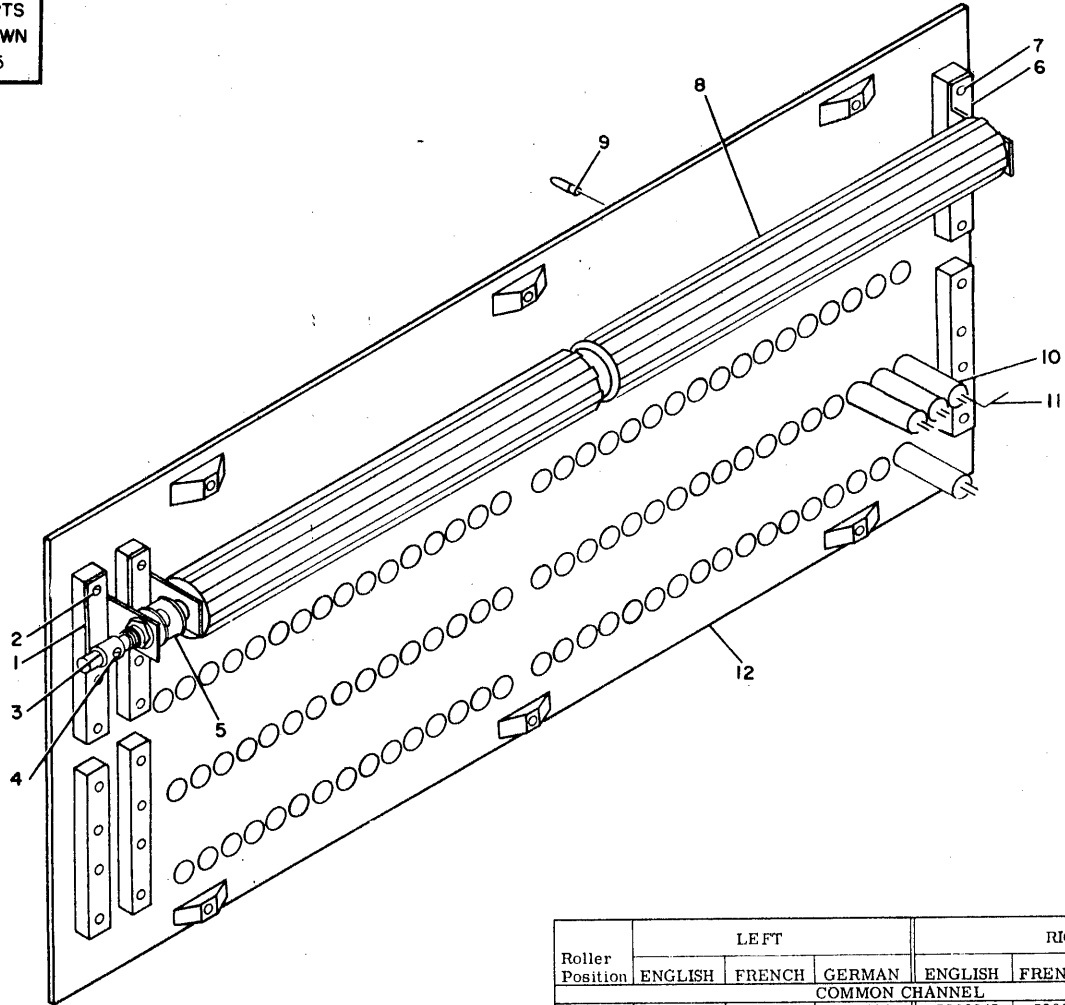


FIGURE 7. PANEL A ASSEMBLY. SEE LIST 7.

LIST AND INDEX NUMBER	PART NUMBER	DESCRIPTION				UNITS PER ASM.	USABLE ON CODE
		1	2	3	4		
		PANEL A ASSEMBLY					
7 -	5364016	PANEL A ASM-ENGLISH				REF	
-	5364353	PANEL A ASM-FRENCH				REF	
-	5364452	PANEL A ASM-GERMAN				REF	
		SEE FIG. 5-26 FOR NEXT HIGHER ASSEMBLY AND FIG. 7 FOR ILLUSTRATION					
- 1	5362315	. KNOB-WHITE				1	
- 2	5700640	. SWITCH-LEVER				1	
- 3	5363949	. PLATE-LEVER SWITCH				1	
- 4	221790	. SCREW,MACH-BIND HD 8-32 X 3/16 LG ATT PT				2	
- 5	186712	. SCREW,MACH-BIND HD 3-48 X 3/16 LG				2	
- 6	5353890	. INDICATOR ASM-RED-3 VOLT				16	
- 7	5353888	. HOUSING				16	
- 8	5363830	. METER				1	
- 9	727454	. KNOB ASSEMBLY-MODE SWITCH				2	
- 10	725379	. . POINTER				1	
- 11	1090623	. . SCREW-SELF TAPPING, 3/16 LG. ATT PT				2	
- 12	482221	. . KNOB ASSEMBLY,ROTARY				1	
- 13	482195	. . . SPRING-CONTROL KNOB				1	
- 14	482217	. . . KNOB ASSEMBLY,ROTARY				1	
- 15	5349203	. SPACER- 0.625 OD X 0.06 THK				2	
- 16	5363961	. SWITCH,ROTARY-14 POS				2	
- 17	5363943	. BRACKET-ROTARY SWITCH MTG				2	
- 18	186759	. SCREW,MACH-BIND HD 8-32 X 5/16 LG ATT PT				4	
- 19	482220	. ROTARY KNOB ASM				10	
- 20	482195	. . SPRING-CONTROL KNOB				1	
- 21	482215	. . ROTARY KNOB ASM				1	
- 22	5349203	. SPACER- 0.625 OD X 0.06 THK				10	
- 23	5363941	. DASHPOT-CAM AND SWITCH				3	
- 24	186759	. SCREW,MACH-BIND HD 8-32 X 5/16 LG ATT PT				6	
- 25	5363940	. . RESISTOR,VAR-COMP 2K P/M 10% 2W				1	
- 26	808369	. . SWITCH,PRECISION-JAM DETECT				1	
- 27	5363960	. . ACTUATOR,SWITCH-INCLUDES HDWE AND INSUL				1	
- 28	NO NO.	. . SCREW,MACH 2-56 ATT PT				2	
- 29	NO NO.	. . WASHER,LOCK NO. 2 ATT PT				2	
- 30	5363939	. . BRACKET				1	
- 31	251970	. . SCREW-MACH BD. HD. 4-40 X 1/4 LG ATT PT				2	
- 32	5363937	. . CAM-MAR CHECK				1	
- 33	257959	. . SETSCREW-SPLINE DR CUP PT 4-40 X 3/16 LG ATT PT				2	
- 34	5363938	. . BRACKET-DASHPOT MTG				1	
- 35	5363969	. DASHPOT-CAM AND SWITCH				2	
- 36	186759	. SCREW,MACH-BIND HD 8-32 X 5/16 LG ATT PT				4	
- 37	5363955	. . RESISTOR,VAR-COMP 1K P/M 10% 2W				1	
- 38	808369	. . SWITCH,PRECISION-JAM DETECT				1	
- 39	5363960	. . ACTUATOR,SWITCH-INCLUDES HDWE AND INSUL				1	
- 40	NO NO.	. . SCREW,MACH 2-56 ATT PT				2	
- 41	NO NO.	. . WASHER,LOCK NO. 2 ATT PT				2	
- 42	5363939	. . BRACKET				1	
- 43	251970	. . SCREW-MACH BD. HD. 4-40 X 1/4 LG ATT PT				2	
- 44	5363937	. . CAM-MAR CHECK				1	
- 45	257959	. . SETSCREW-SPLINE DR CUP PT 4-40 X 3/16 LG ATT PT				2	
- 46	5363938	. . BRACKET-DASHPOT MTG				1	
- 47	5363968	. DASHPOT-CAM AND SWITCH				2	
- 48	186759	. SCREW,MACH-BIND HD 8-32 X 5/16 LG ATT PT				4	
- 49	5363954	. . RESISTOR,VAR-COMP 200 OHMS P/M 10% 2W				1	
- 50	808369	. . SWITCH,PRECISION-JAM DETECT				1	
- 51	5363960	. . ACTUATOR,SWITCH-INCLUDES HDWE AND INSUL				1	
- 52	NO NO.	. . SCREW,MACH 2-56 ATT PT				2	
- 53	NO NO.	. . WASHER,LOCK NO. 2 ATT PT				2	
- 54	5363939	. . BRACKET				1	
- 55	251970	. . SCREW-MACH BD. HD. 4-40 X 1/4 LG ATT PT				2	
- 56	5363937	. . CAM-MAR CHECK				1	
- 57	257959	. . SETSCREW-SPLINE DR CUP PT 4-40 X 3/16 LG ATT PT				2	
- 58	5363938	. . BRACKET-DASHPOT MTG				1	
- 59	5349132	. ADAPTER-ROTARY SWITCH				1	
- 60	3550	. WASHER,FL- 1/4 X 9/16 OD X 0.050 THK				1	
- 61	5349203	. SPACER- 0.625 OD X 0.06 THK				2	
- 62	18004	. WASHER,FLAT- .257 ID X .344 OD X .062THK				2	
- 63	5363969	. DASHPOT-CAM AND SWITCH				2	
		SEE INDEX 35 FOR DETAIL BREAKDOWN USED ON 256K AND EMULATOR FEATURES ONLY					
- 64	186759	. SCREW,MACH-BIND HD 8-32 X 5/16 LG ATT PT				4	
- 65	5363941	. DASHPOT-CAM AND SWITCH				1	
		SEE INDEX 23 FOR DETAIL BREAKDOWN USED ON 256K ONLY					

FOR PARTS
NOT SHOWN
SEE FIG. 5



Roller Position	LEFT			RIGHT		
	ENGLISH	FRENCH	GERMAN	ENGLISH	FRENCH	GERMAN
COMMON CHANNEL						
1	5390333	5364321	5364414	5390345	5390345	5390345
2	5390335	5390335	5364415	5390347	5390347	5364419
3	5390337	5364322	5364416	5390349	5390349	5364420
4	5390339	5390339	5364417	5390351	5390351	5364421
5	5390341	5364323	5390341	5390353	5364326	5364422
6	5390343	5364324	5364418	5390355	5364327	5364423
7	5373146	5373146	5373146	5390303	5390303	5390303
8	5373148	5373148	5373148	5390305	5390305	5390305
SELECTOR CHANNEL						
1	5390357	5364328	5390357	5390369	5364334	5390369
2	5390359	5364329	5390359	5390371	5364335	5390371
3	5390361	5364330	5364424	5390373	5364336	5364428
4	5390363	5364331	5364425	5390375	5364337	5364429
5	5390365	5364332	5364426	5390377	5390377	5364430
6	5390367	5364333	5364427	5390379	5390379	5364431
7	5365601	5365235	5365038	5390303	5390303	5390303
8	5373148	5373148	5373148	5390305	5390305	5390305
CPU NO. 1						
1	5373103	5364338	5373103	5373150	5364342	5373150
2	5373136	5364339	5373136	5373152	5364343	5373152
3	5373138	5364340	5373138	5373154	5364344	5373154
4	5373140	5364341	5373140	5373156	5364345	5373156
5	5373142	5373142	5373142	5373158	5364346	5364432
6	5373144	5373144	5373144	5390301	5390301	5390301
7	5373146	5373146	5373146	5390303	5390303	5390303
8	5364399	5365604	5365609	5390305	5390305	5390305
CPU NO. 2						
1	5390307	5390307	5390307	5390319	5390319	5390319
2	5390309	5390309	5390309	5390321	5364412	5364438
3	5390311	5364347	5364433	5390323	5364325	5364439
4	5390313	5364348	5364434	5390325	5364413	5364440
5	5390315	5364349	5390315	5390327	5390327	5390327
6	5390317	5364409	5364435	5390329	5390329	5364441
7	5390381	5364410	5364436	5390303	5390303	5390303
8	5364406	5364411	5364437	5390305	5390305	5390305

FIGURE 8. PANEL G ASSEMBLY. SEE LIST 8.

FOR PARTS
NOT SHOWN
SEE FIG. 5

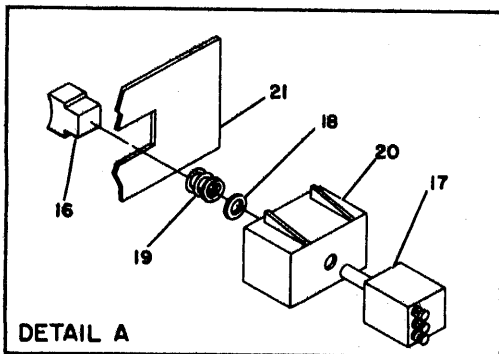
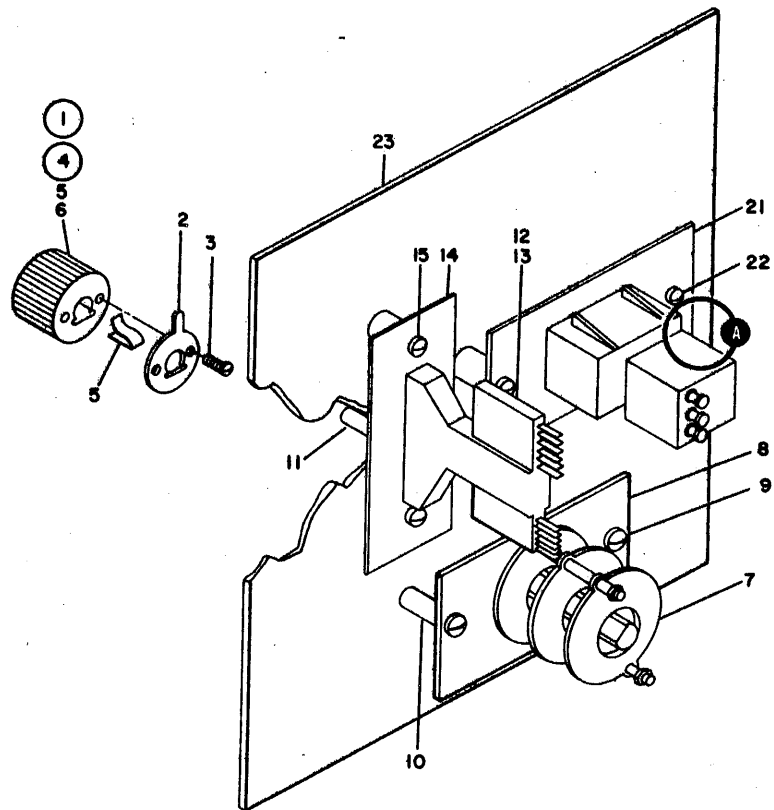


FIGURE 9. PANEL F ASSEMBLY. SEE LIST 9.

LIST AND INDEX NUMBER	PART NUMBER	DESCRIPTION				UNITS PER ASM.	USABLE ON CODE
		1	2	3	4		
		PANEL F ASSEMBLY					
9 -	5364019	PANEL F ASM-ENGLISH				REF	
-	5364368	PANEL F ASM-FRENCH				REF	
-	5364464	PANEL F ASM-GERMAN				REF	
		SEE FIG. 5-58 FOR NEXT HIGHER ASSEMBLY AND FIG. 9 FOR ILLUSTRATION					
- 1	727454	• KNOB ASSEMBLY-MODE SWITCH				1	
- 2	725379	• • POINTER				1	
- 3	1090623	• • SCREW-SELF TAPPING, 3/16 LG. ATT PT				2	
- 4	482221	• • KNOB ASSEMBLY, ROTARY				1	
- 5	482195	• • • SPRING-CONTROL KNOB				1	
- 6	482217	• • • KNOB ASSEMBLY, ROTARY				1	
- 7	5363967	• SWITCH, ROTARY-6 POS				1	
- 8	5363947	• BRACKET-ROTARY SWITCH MTG				1	
- 9	186759	• SCREW, MACH-BIND HD 8-32 X 5/16 LG ATT PT				2	
- 10	5349203	• SPACER- 0.625 OD X 0.06 THK				1	
- 11	5362315	• KNOB-WHITE				1	
- 12	5363982	• SWITCH, LEVER				1	
- 13	186712	• SCREW, MACH-BIND HD 3-48 X 3/16 LG ATT PT				2	
- 14	5363946	• PLATE				1	
- 15	10170	• SCREW, MACH-BIND HD 6-32 X 1/4 LG ATT PT				2	
- 16	5363965	• BUTTON-ENGLISH				1	
- 16	5364364	• BUTTON-FRENCH				1	
- 16	824567	• BUTTON-GERMAN				1	
- 17	553380	• SWITCH, PUSH-DPDT				1	
- 18	5311437	• NUT, SWITCH 0.469-32				1	
- 19	5311440	• SPRING, BUTTON				1	
- 20	5311415	• HOUSING, SWITCH AND LIGHT				1	
- 21	5363987	• PLATE-SWITCH				1	
- 22	186759	• SCREW, MACH-BIND HD 8-32 X 5/16 LG ATT PT				2	
- 23	5363919	• PANEL ASM-ENGLISH				1	
- 23	5364365	• PANEL ASM-FRENCH				1	
- 23	5364463	• PANEL ASM-GERMAN				1	

FOR PARTS
NOT SHOWN
SEE FIG. 5

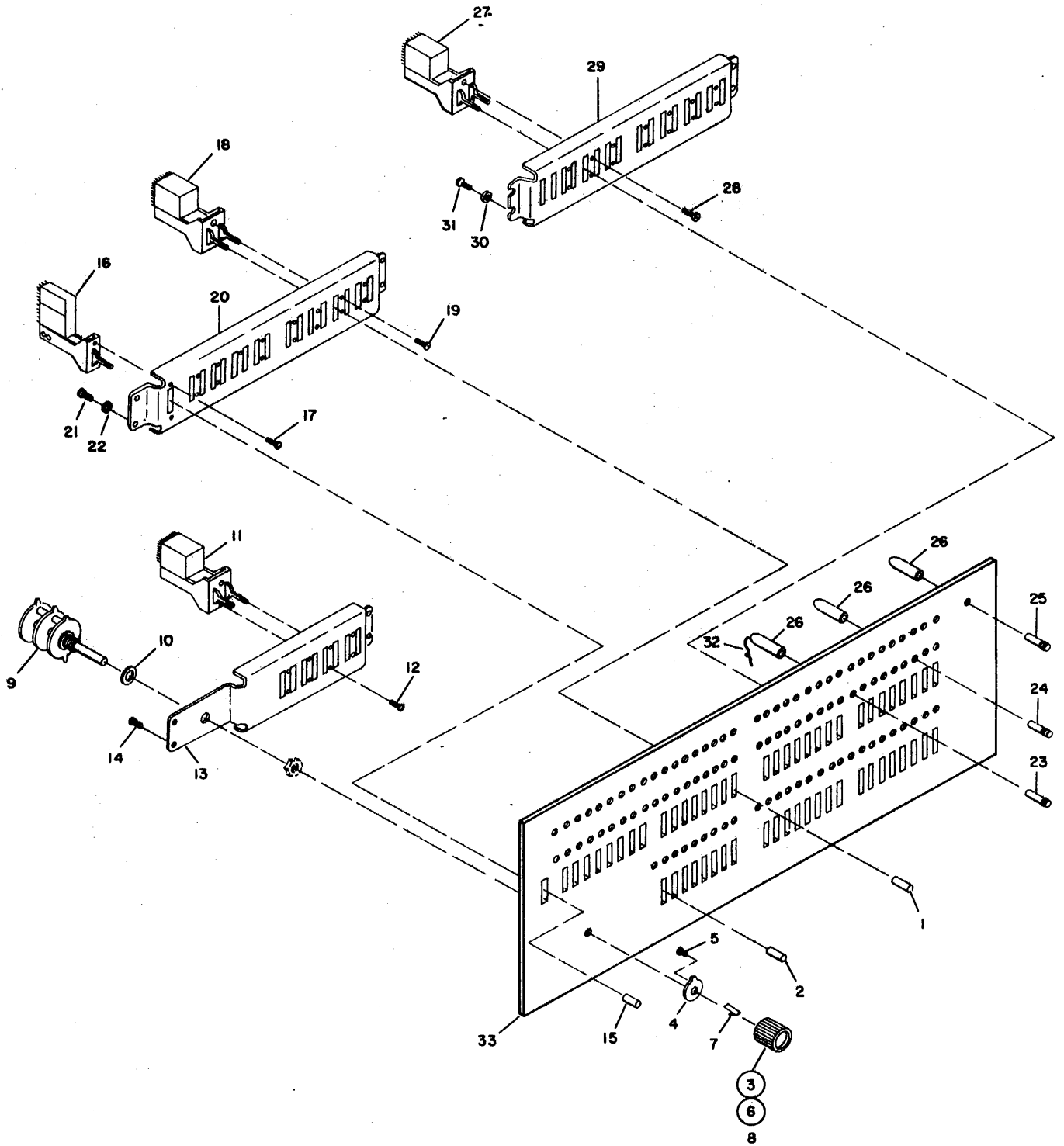


FIGURE 10. PANEL L ASSEMBLY. SEE LIST 10.

LIST AND INDEX NUMBER	PART NUMBER	DESCRIPTION				UNITS PER ASM.	USABLE ON CODE
		1	2	3	4		
		PANEL L ASSEMBLY					
10 -	5363881	PANEL L ASM-ENGLISH				REF REF REF	
-	5364403	PANEL L ASM-FRENCH					
-	5364467	PANEL L ASM-GERMAN					
		SEE FIG. 5-81 FOR NEXT HIGHER ASSEMBLY AND FIG. 10 FOR ILLUSTRATION					
- 1	5362314	. KNOB-BLACK				28	
- 2	5362315	. KNOB-WHITE				28	
- 3	727454	. KNOB ASSEMBLY-MODE SWITCH				1	
- 4	725379	. . POINTER				1	
- 5	1090623	. . SCREW-SELF TAPPING, 3/16 LG.		ATT PT	2		
- 6	482221	. . . KNOB ASSEMBLY, ROTARY				1	
- 7	482195 SPRING-CONTROL KNOB				1	
- 8	482217 KNOB ASSEMBLY, ROTARY				1	
- 9	5363967	. SWITCH, ROTARY-6 POS				1	
- 10	5349203	. SPACER- 0.625 OD X 0.06 THK				1	
- 11	5349003	. SWITCH, LEVER-3 POLE DT				4	
- 12	186712	. SCREW, MACH-BIND HD 3-48 X 3/16 LG		ATT PT	8		
- 13	5373107	. SUB PANEL				1	
- 14	81693	. SCREW, MACH-BIND HD 6-32 X 3/8 LG		ATT PT	4		
- 15	5362315	. KNOB-WHITE				1	
- 16	5364054	. SWITCH, LEVER				1	
- 17	186712	. SCREW, MACH-BIND HD 3-48 X 3/16 LG		ATT PT	2		
- 18	5349003	. SWITCH, LEVER-3 POLE DT				8	
- 19	186712	. SCREW, MACH-BIND HD 3-48 X 3/16 LG		ATT PT	16		
- 20	5373108	. SUB PANEL				1	
- 21	81693	. SCREW, MACH-BIND HD 6-32 X 3/8 LG		ATT PT	4		
- 22	257986	. WASHER, FLAT NO. 6				2	
- 23	5353883	. INDICATOR ASM-AMBER-3 VOLT				7	
- 24	5353889	. INDICATOR ASM, CLEAR				90	
- 25	5353890	. INDICATOR ASM-RED-3 VOLT				3	
- 26	5353888	. HOUSING				100	
- 27	5349003	. SWITCH, LEVER-3 POLE DT				16	
- 28	186712	. SCREW, MACH-BIND HD 3-48 X 3/16 LG		ATT PT	32		
- 29	5383174	. SUB PANEL				2	
- 30	81693	. SCREW, MACH-BIND HD 6-32 X 3/8 LG		ATT PT	8		
- 31	257986	. WASHER, FLAT NO. 6				2	
- 32	5364442	. JUMPER ASSEMBLY-27 TERMINAL				AR	
- 32	5364443	. JUMPER ASSEMBLY				AR	
- 32	5364444	. JUMPER ASSEMBLY-37 TERMINAL				AR	
		SEE FIG. 79-22, -22A AND -81 FOR COMPONENT PARTS					
- 33	5363869	. PANEL ASM-ENGLISH				1	
- 33	5364402	. PANEL ASM-FRENCH				1	
- 33	5364466	. PANEL ASM-GERMAN				1	

FOR PARTS
NOT SHOWN
SEE FIG. 5

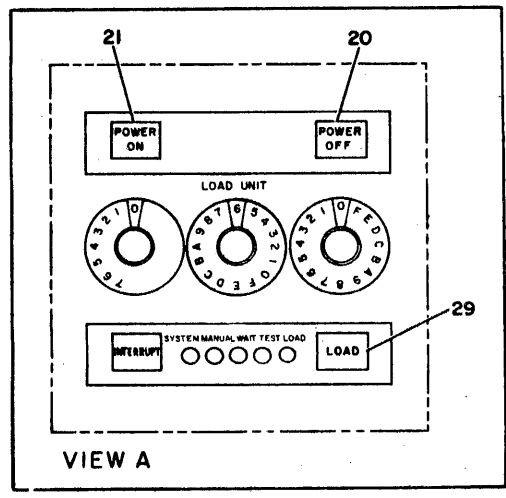
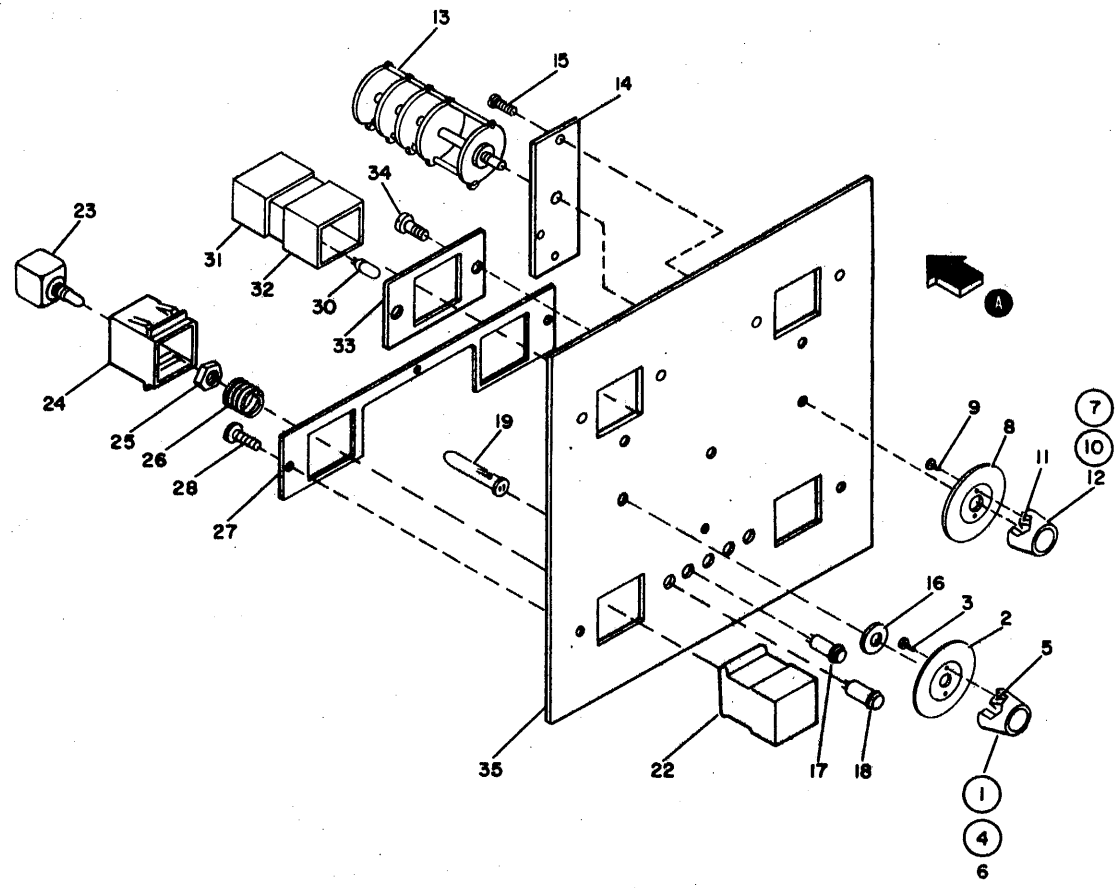


FIGURE 11. PANEL N ASSEMBLY. SEE LIST 11.

LIST AND INDEX NUMBER	PART NUMBER	DESCRIPTION	UNITS PER ASM.	USABLE ON CODE
		1 2 3 4		
		PANEL N ASSEMBLY		
11 -	5364023	PANEL N ASM-ENGLISH	REF	
-	5364395	PANEL N ASM-FRENCH	REF	
-	5364486	PANEL N ASM-GERMAN	REF	
		SEE FIG. 5-93 FOR NEXT HIGHER ASSEMBLY AND FIG. 11 FOR ILLUSTRATION		
- 1	5349220	. KNOB AND DIAL ASSEMBLY	1	
- 2	5349218	. . DIAL, 8 POS	1	
- 3	1090623	. . SCREW-SELF TAPPING, 3/16 LG. ATT PT	2	
- 4	482221	. . KNOB ASSEMBLY, ROTARY	1	
- 5	482195	. . . SPRING-CONTROL KNOB	1	
- 6	482217	. . . KNOB ASSEMBLY, ROTARY	1	
- 7	5349219	. KNOB AND DIAL ASSEMBLY	2	
- 8	5349217	. . DIAL, 16 POS	1	
- 9	1090623	. . SCREW-SELF TAPPING, 3/16 LG. ATT PT	2	
- 10	482221	. . KNOB ASSEMBLY, ROTARY	1	
- 11	482195	. . . SPRING-CONTROL KNOB	1	
- 12	482217	. . . KNOB ASSEMBLY, ROTARY	1	
- 13	5270179	. SWITCH, ROTARY-16 POS	3	
- 14	5363991	. BRACKET-SWITCH MTG	3	
- 15	186759	. SCREW, MACH-BIND HD 8-32 X 5/16 LG ATT PT	6	
- 16	5349203	. SPACER- 0.625 OD X 0.06 THK	3	
- 17	5353883	. INDICATOR ASM-AMBER-3 VOLT	1	
- 18	5353889	. INDICATOR ASM, CLEAR	4	
- 19	5353888	. HOUSING	5	
- 20	824476	. BUTTON-ENGLISH	1	
- 20	5351632	. BUTTON-FRENCH	1	
- 20	824569	. BUTTON-GERMAN	1	
- 21	719117	. BUTTON-ENGLISH	1	
- 21	5351638	. BUTTON-FRENCH	1	
- 21	824580	. BUTTON-GERMAN	1	
- 22	824478	. BUTTON-ENGLISH	1	
- 22	824478	. BUTTON-FRENCH	1	
- 22	824562	. BUTTON-GERMAN	1	
- 23	553380	. SWITCH, PUSH-DPDT	3	
- 24	5311415	. HOUSING, SWITCH AND LIGHT	3	
- 25	5311437	. NUT, SWITCH 0.469-32	3	
- 26	5311440	. SPRING, BUTTON	3	
- 27	5363988	. BRACKET-SWITCH MTG	1	
- 28	186759	. SCREW, MACH-BIND HD 8-32 X 5/16 LG ATT PT	3	
- 29	824477	. BUTTON-ENGLISH	1	
- 29	5351635	. BUTTON-FRENCH	1	
- 29	824560	. BUTTON-GERMAN	1	
- 30	2391279	. LAMP, INCANDESCENT- 28V 0.04 AMP	2	
- 31	719551	. SWITCH, SENSITIVE- 2 SPDT 125V AC 0.2 AMP	1	
- 32	473629	. HOUSING-SWITCH AND LAMP	1	
- 33	5363987	. PLATE-SWITCH	2	
- 34	186759	. SCREW, MACH-BIND HD 8-32 X 5/16 LG ATT PT	4	
- 35	5363935	. PANEL ASM-ENGLISH	1	
- 35	5364392	. PANEL ASM-FRENCH	1	
- 35	5364485	. PANEL ASM-GERMAN	1	

FOR PARTS
NOT SHOWN
SEE FIG. 5

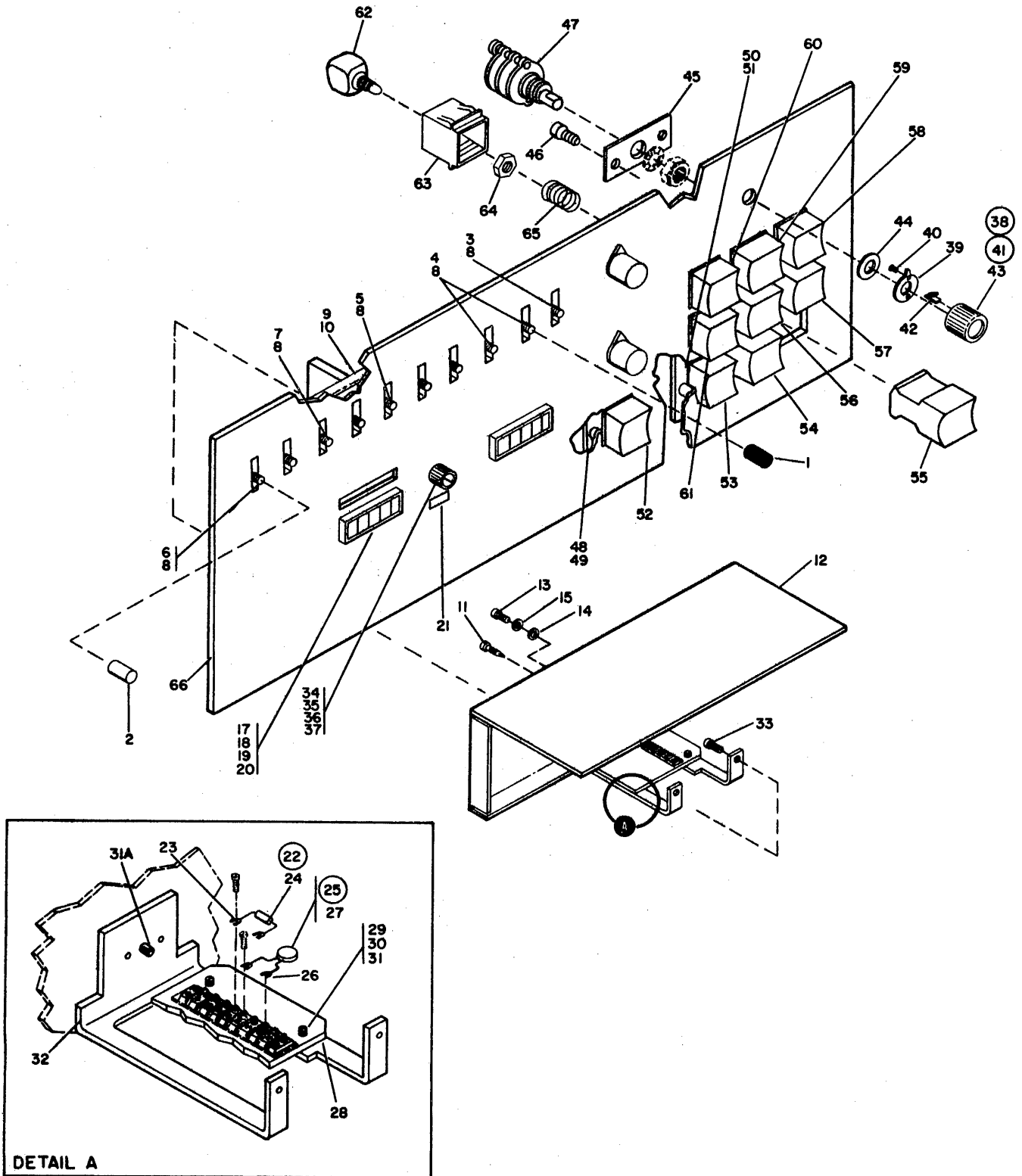


FIGURE 12. PANEL M ASSEMBLY. SEE LIST 12.

LIST AND INDEX NUMBER	PART NUMBER	DESCRIPTION				UNITS PER ASM.	USABLE ON CODE
		1	2	3	4		
		PANEL M ASSEMBLY					
12 -	5363884	PANEL M ASM-ENGLISH				REF	
-	5364387	PANEL M ASM-FRENCH				REF	
-	5364479	PANEL M ASM-GERMAN				REF	
		SEE FIG. 5-96 FOR NEXT HIGHER ASSEMBLY AND FIG. 12 FOR ILLUSTRATION					
- 1	5362314	. KNOB-BLACK				5	
- 2	5362315	. KNOB-WHITE				5	
- 3	5364056	. SWITCH, LEVER				1	
- 4	5363963	. SWITCH, LEVER				2	
- 5	5364055	. SWITCH, LEVER				1	
- 6	5270177	. SWITCH, LEVER				1	
- 7	5349002	. SWITCH, LEVER				5	
- 8	186712	. SCREW, MACH-BIND HD 3-48 X 3/16 LG				ATT PT	20
- 9	5383169	. BRACKET-SUB PANEL					1
- 10	186759	. SCREW, MACH-BIND HD 8-32 X 5/16 LG				ATT PT	4
- 11	740489	. RETAINER-COVER					1
- 12	5363875	. COVER					1
- 13	34512	. SCREW, BIND. HD 8-32 X .375 LG				ATT PT	2
- 14	22478	. WASHER, FL- 0.170 ID 0.375 OD 0.32 THK				ATT PT	2
- 15	1090873	. WASHER, LOCK, SPLIT RING- .168 ID, .296 OD				ATT PT	2
- 17	740503	. METER-60 HZ					2
- 17	740608	. METER-50 HZ					2
- 18	25627	. SCREW-BD. HD 8-32 X .500 LG				ATT PT	4
- 19	22478	. WASHER, FL- 0.170 ID 0.375 OD 0.32 THK				ATT PT	4
- 20	1090873	. WASHER, LOCK, SPLIT RING- .168 ID, .296 OD				ATT PT	4
- 21	5371671	. LABEL					1
- 22	5363851	. RESISTOR ASM					1
- 23	313361	. . TERMINAL-SPADE, 20-24 AWG, #4 HOLE, NON INS					2
- 24	317428	. . RESISTOR, FXD, COMP- 330 OHMS P/M 5% 1/2W					1
- 25	5363859	. CAPACITOR ASM					1
- 26	313361	. . TERMINAL-SPADE, 20-24 AWG, #4 HOLE, NON INS					2
- 27	472639	. . CAPACITOR, FXD, CERAMIC- 0.01 MFD P/M 20%					1
- 28	372688	. CARD ASM-TSTR, METER					1
- 29	34512	. SCREW, BIND. HD 8-32 X .375 LG				ATT PT	2
- 30	257986	. WASHER, FLAT NO. 6				ATT PT	2
- 31	6364	. WASHER, LOCK-SPLIT NO. 6 X 1/4 OD				ATT PT	2
- 31A	740491	. CLIP-TUBULAR, PERMANENT LOCK					1
- 32	5363874	. BRACKET-COVER					1
- 33	186759	. SCREW, MACH-BIND HD 8-32 X 5/16 LG				ATT PT	2
- 34	740513	. SWITCH, PUSH-OPDT 250V AC 1 AMP					1
- 35	81693	. SCREW, MACH-BIND HD 6-32 X 3/8 LG				ATT PT	2
- 36	257986	. WASHER, FLAT NO. 6				ATT PT	2
- 37	6364	. WASHER, LOCK-SPLIT NO. 6 X 1/4 OD				ATT PT	2
- 38	727454	. KNOB ASSEMBLY-MODE SWITCH					3
- 39	725379	. . POINTER					1
- 40	1090623	. . SCREW-SELF TAPPING, 3/16 LG.				ATT PT	2
- 41	482221	. . KNOB ASSEMBLY, ROTARY					1
- 42	482195	. . . SPRING-CONTROL KNOB					1
- 43	482217	. . . KNOB ASSEMBLY, ROTARY					1
- 44	5349203	. SPACER- 0.625 OD X 0.06 THK					3
- 45	5363947	. BRACKET-ROTARY SWITCH MTG					3
- 46	186759	. SCREW, MACH-BIND HD 8-32 X 5/16 LG				ATT PT	6
- 47	5363967	. SWITCH, ROTARY-6 POS					3
- 48	5363987	. PLATE-SWITCH					1
- 49	186759	. SCREW, MACH-BIND HD 8-32 X 5/16 LG				ATT PT	2
- 50	5363945	. BRACKET-SWITCH MTG					1
- 51	186759	. SCREW, MACH-BIND HD 8-32 X 5/16 LG				ATT PT	4
- 52	5350020	. BUTTON-ENGLISH					1
- 52	5351639	. BUTTON-FRENCH					1
- 52	5350020	. BUTTON-GERMAN					1
- 53	749033	. BUTTON-STOP					1
- 54	5311420	. BUTTON, BLANK					1
- 55	5276187	. BUTTON-ENGLISH					1
- 55	5351630	. BUTTON-FRENCH					1
- 55	5352144	. BUTTON-GERMAN					1
- 56	824467	. BUTTON-ENGLISH					1
- 56	5351634	. BUTTON-FRENCH					1
- 56	824567	. BUTTON-GERMAN					1
- 57	824466	. BUTTON-ENGLISH					1
- 57	5351633	. BUTTON-FRENCH					1
- 57	5352147	. BUTTON-GERMAN					1
- 58	824471	. BUTTON-ENGLISH					1
- 58	5351631	. BUTTON-FRENCH					1
- 58	5352145	. BUTTON-GERMAN					1

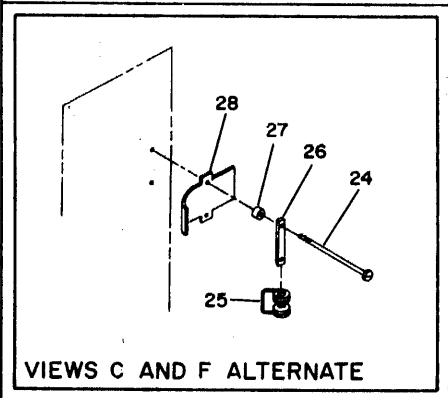
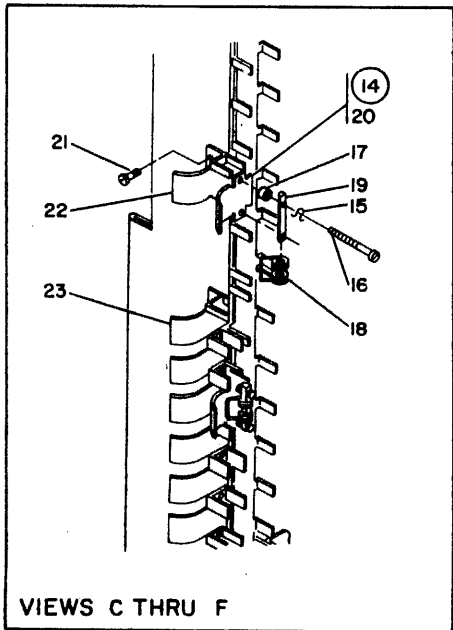
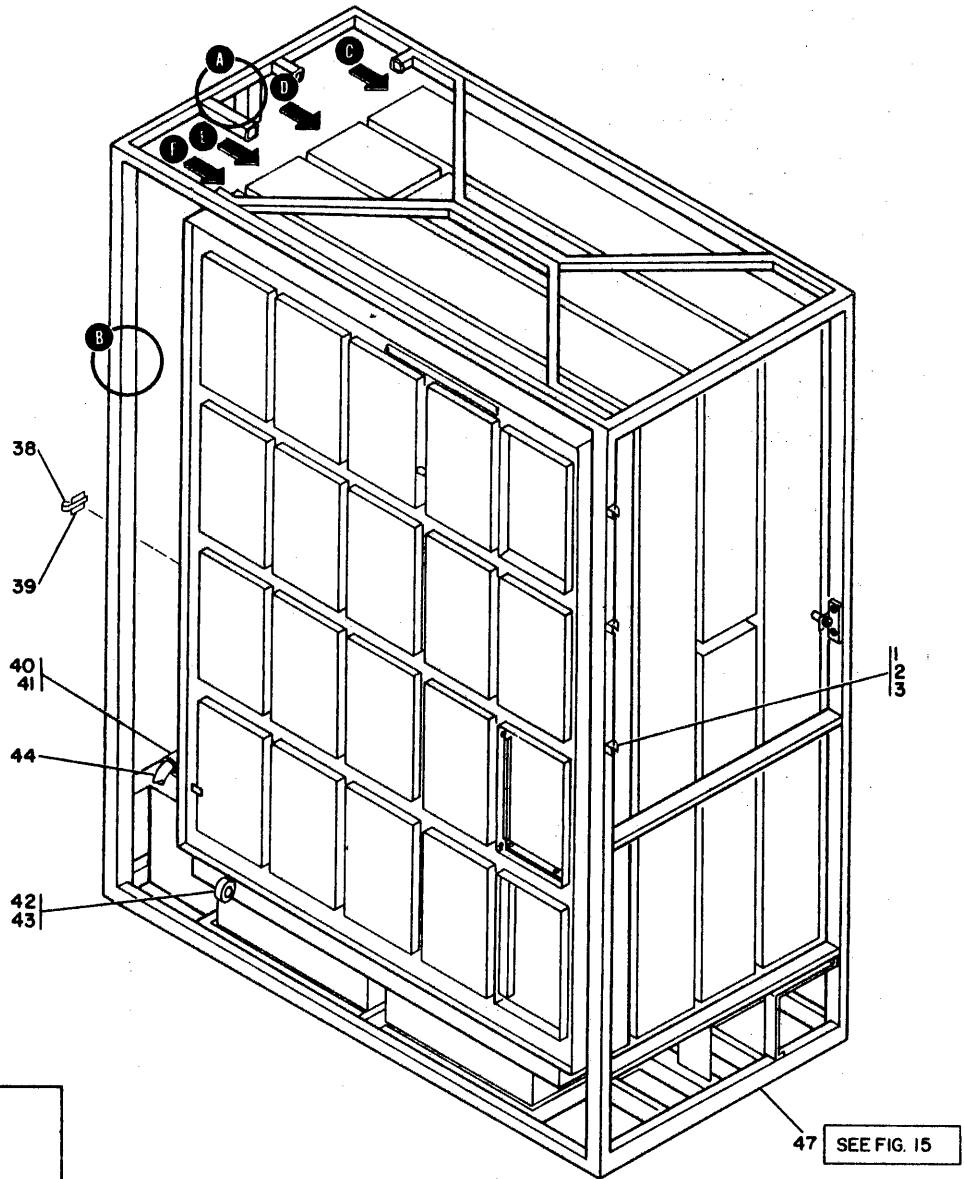
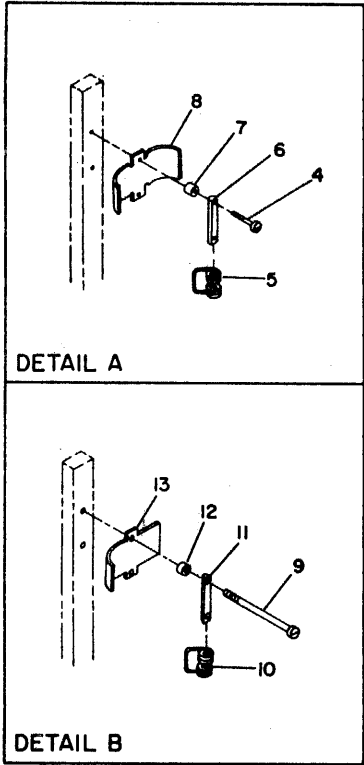


FIGURE 13. CPU FINAL ASSEMBLY. SEE LIST 13.

LIST AND INDEX NUMBER	PART NUMBER	DESCRIPTION	UNITS PER ASM.	USABLE ON CODE
		CPU FINAL ASSEMBLY		
13 -	5364000 NP	FINAL ASSEMBLY-CPU SEE FIG. 13 FOR ILLUSTRATION		
- 1	2114110	. CLIP	3	
- 2	2114111	. CRADLE,CABLE	3	
- 3	186758	. SCREW,MACH-BIND HD 8-32 X 0.438	3	ATT PT
- 4	266	. SCREW,MACH-FIL H 10-32 X 1 LG	AR	
- 5	813321	. SPRING,TORSION- 2 RH AND 2 LH FULL TURNS	AR	
- 6	813318	. BAR	AR	
- 7	813678	. SPACER- 0.260 ID 0.310 OD 0.204 LG	AR	
- 8	5372742	. FRONTPLATE	AR	
- 9	287502	. SCREW, MACH-FIL HD. 10-32 X 2.250 LG	AR	
- 10	813321	. SPRING,TORSION- 2 RH AND 2 LH FULL TURNS	AR	
- 11	813318	. BAR	AR	
- 12	813678	. SPACER- 0.260 ID 0.310 OD 0.204 LG	AR	
- 13	813319	. FRONTPLATE-CABLE CLAMP	AR	
- 14	815225	. PLATE-FRONT	AR	
- 14	815224	. PLATE ASSEMBLY,CABLE CLAMP-FRONT	AR	
- 14	815226	. PLATE ASM	AR	
- 15	815210	. RING, RETAINING	2	
- 16	815174	. SCREW, CLAMP USED ON CLAMP PN 815225	2	
- 16	815173	. SCREW USED ON CLAMP PN 815224	2	
- 16	815175	. SCREW, MACH USED ON CLAMP PN 815226	2	
- 17	815219	. SPACER	2	
- 18	813321	. SPRING,TORSION- 2 RH AND 2 LH FULL TURNS	1	
- 19	815220	. BAR	1	
- 20	815217	. BACKPLATE,CLAMP	1	
- 21	813706	. SCREW,SELF TAPPING- WASH HD 10-32 X 3/8	AR	
- 22	815167	. PLATE-BACK	AR	
- 22	815171	. BACKPLATE, CABLE CLAMP	AR	
- 22	815214	. PLATE-BACK	AR	
- 23	815166	. PLATE	AR	
- 23	815169	. BACKPLATE,CABLE CLAMP	AR	
- 24	287502	. SCREW, MACH-FIL HD. 10-32 X 2.250 LG	AR	
- 25	813321	. SPRING,TORSION- 2 RH AND 2 LH FULL TURNS	AR	
- 26	813318	. BAR	AR	
- 27	813678	. SPACER- 0.260 ID 0.310 OD 0.204 LG	AR	
- 28	813319	. FRONTPLATE-CABLE CLAMP	AR	
- 38	524519	. CABLE TIE,SELF CLINCHING	AR	
- 39	5412548	. BASE	AR	
- 39	5412547	. BASE	AR	
- 40	524515	. CLAMP-ADJUSTABLE CABLE	2	
- 41	4636	. SCREW,MACH-FL CSK HD 8-32 X 3/8 LG	1	ATT PT
- 42	533289	. CLAMP, CABLE	8	
- 43	734483	. SCREW,PAN HD- 6-32 X 0.380 LG	8	ATT PT
- 44	5363922	. CABLE ASM		
- 44	5363923	SEE FIG. 79-28,-42B,-100 AND -102 FOR COMPONENT PARTS . CABLE ASM-CONNECTOR GATE AC	AR	
- 44	5364013	SEE FIG. 79-10,-28,-42C AND -54 FOR COMPONENT PARTS . CABLE ASM-VOLTAGE SENSE	AR	
- 44	5364073	SEE FIG. 79-2,-27,-28,-29,-30,-34,-36, -38,-55,-59 AND 107 FOR COMPONENT PARTS . CABLE ASM-TAIL GATE JUMPER	AR	
- 44	5364075	SEE FIG. 79-74,-76,-77,-89,-90 AND -90A FOR COMPONENT PARTS . CABLE ASM-CONVENIENCE OUTLET	AR	
- 44	5364076	SEE FIG. 79-31 AND -42E FOR COMPONENT PARTS . CABLE ASM-CONVENIENCE OUTLET	AR	
- 44	5364143	SEE FIG. 79-42E FOR COMPONENT PARTS . CABLE ASM-AC PWR TO LOGIC GATE BLOWER	AR	
- 44	5364144	. CABLE ASM-AC PWR TO LOGIC GATE BLOWER	AR	
- 44	5364562	SEE FIG. 79-17,-20A,-28,-42C AND -42D FOR COMPONENT PARTS . CABLE ASM-SELECTOR CHANNEL I	AR	
- 44	5364564	. CABLE ASM-SELECTOR CHANNEL III SEE FIG. 79-7,-8,-28,-28M AND -42M FOR COMPONENT PARTS	AR	
- 44	5365428	. CABLE ASM-COAX CHAN TO CHAN FEATURE	AR	
- 44	5365429	. CABLE ASM-COAX CHAN TO CHAN FEATURE	AR	

LIST AND INDEX NUMBER	PART NUMBER	DESCRIPTION				UNITS PER ASM.	USABLE ON CODE
		1	2	3	4		
		SEE FIG. 79-38,-74,-77,-90,-108 AND -131 FOR COMPONENT PARTS					
13 - 44	5440636	. CABLE ASM-PWR TBS GATE A AND GATE E SEE FIG. 79-106 FOR COMPONENT PARTS				AR	
- 44	5802225	. CABLE ASM-20 SIG				AR	
- 44	5802425	SEE FIG. 79-28V,-63B,-120A AND -121A FOR COMPONENT PARTS				AR	
- 44	5802426	. CABLE ASM-20 SIG				AR	
- 44	5802427	SEE FIG. 79-28V,-63E,-120A AND -121A FOR COMPONENT PARTS				AR	
- 44	5802428	. CABLE ASM-9 SIG /T-T/ SEE FIG. 79-28V,-63G,-115 AND -117 FOR COMPONENT PARTS				AR	
- 44	5802429	. CABLE ASM-9 SIG /B-T/ SEE FIG. 79-28V,-63G,-63H,-115,-117 AND -118 FOR COMPONENT PARTS				AR	
- 44	5802430	. CABLE ASM-8 SIG /B-B/ SEE FIG. 79-28V,-63K,-115,-117 AND -118 FOR COMPONENT PARTS				AR	
- 44	5802431	. CABLE ASM-7 SIG /T-T/ SEE FIG. 79-28V,-63J-115 AND -117 FOR COMPONENT PARTS				AR	
- 44	5802434	. CABLE ASM-17 SIG SEE FIG. 79-28V,-63F,-120A AND -121A FOR COMPONENT PARTS				AR	
- 44	5802435	. CABLE ASM-7 SIG /T-B/ SEE FIG. 79-28V,-63H,-63J,-115,-117 AND -118 FOR COMPONENT PARTS				AR	
- 44	5802436	. CABLE ASM-8 SIG /T-B/ SEE FIG. 79-28V,-63G,-63K,-115,-117 AND -118 FOR COMPONENT PARTS				AR	
- 44	5802437	. CABLE ASM-7 SIG /B-T/ SEE FIG. 79-28V,-63H,-63J,-115,-117 AND -118 FOR COMPONENT PARTS				AR	
- 44	5802439	. CROSSOVER ASM SEE FIG. 79-63H,-117 AND -118 FOR COMPONENT PARTS				AR	
- 44	5802440	. CROSSOVER ASM SEE FIG. 79-63G,-115 AND -117 FOR COMPONENT PARTS				AR	
- 44	5802441	. CROSSOVER ASM SEE FIG. 79-63E,-120A AND 121A FOR COMPONENT PARTS				AR	
- 44	5802924	. CABLE ASM SEE FIG. 79-28V,-63L,-120 AND -121 FOR COMPONENT PARTS				AR	
- 44	5802945	. CABLE ASM SEE FIG. 79-28V,-63C,-120A AND -121A FOR COMPONENT PARTS				AR	
- 44	5802946	. CABLE ASM SEE FIG. 79-28V,-63C,-63D,-120A AND -121A FOR COMPONENT PARTS				AR	
- 47	5353209	. FRAME ASSEMBLY-CPU SEE FIG. 15 FOR DETAIL BREAKDOWN				1	

FOR PARTS
NOT SHOWN
SEE FIG. 17

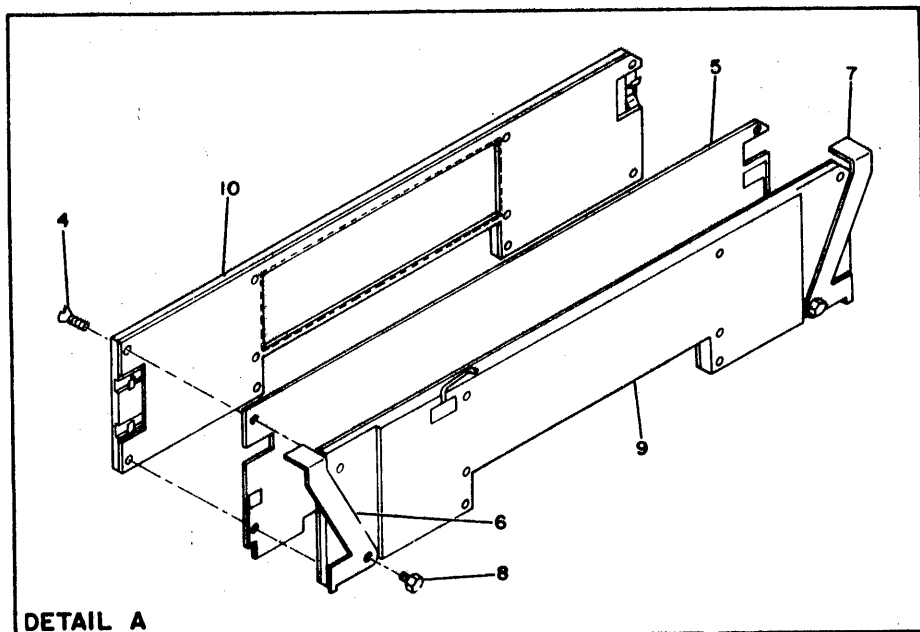
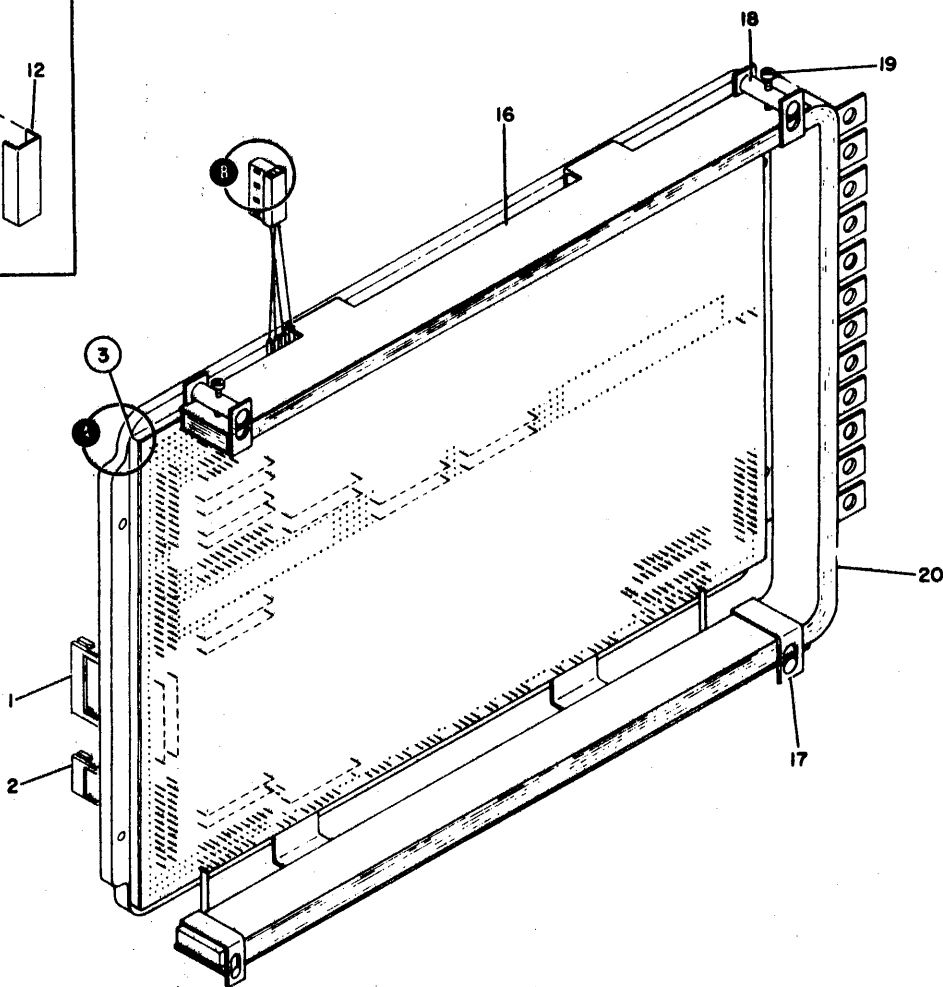
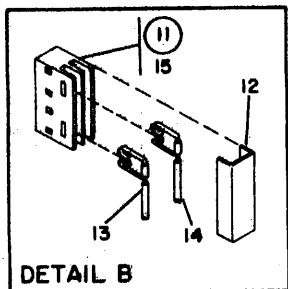


FIGURE 14. MEMORY ASSEMBLY. SEE LIST 14.

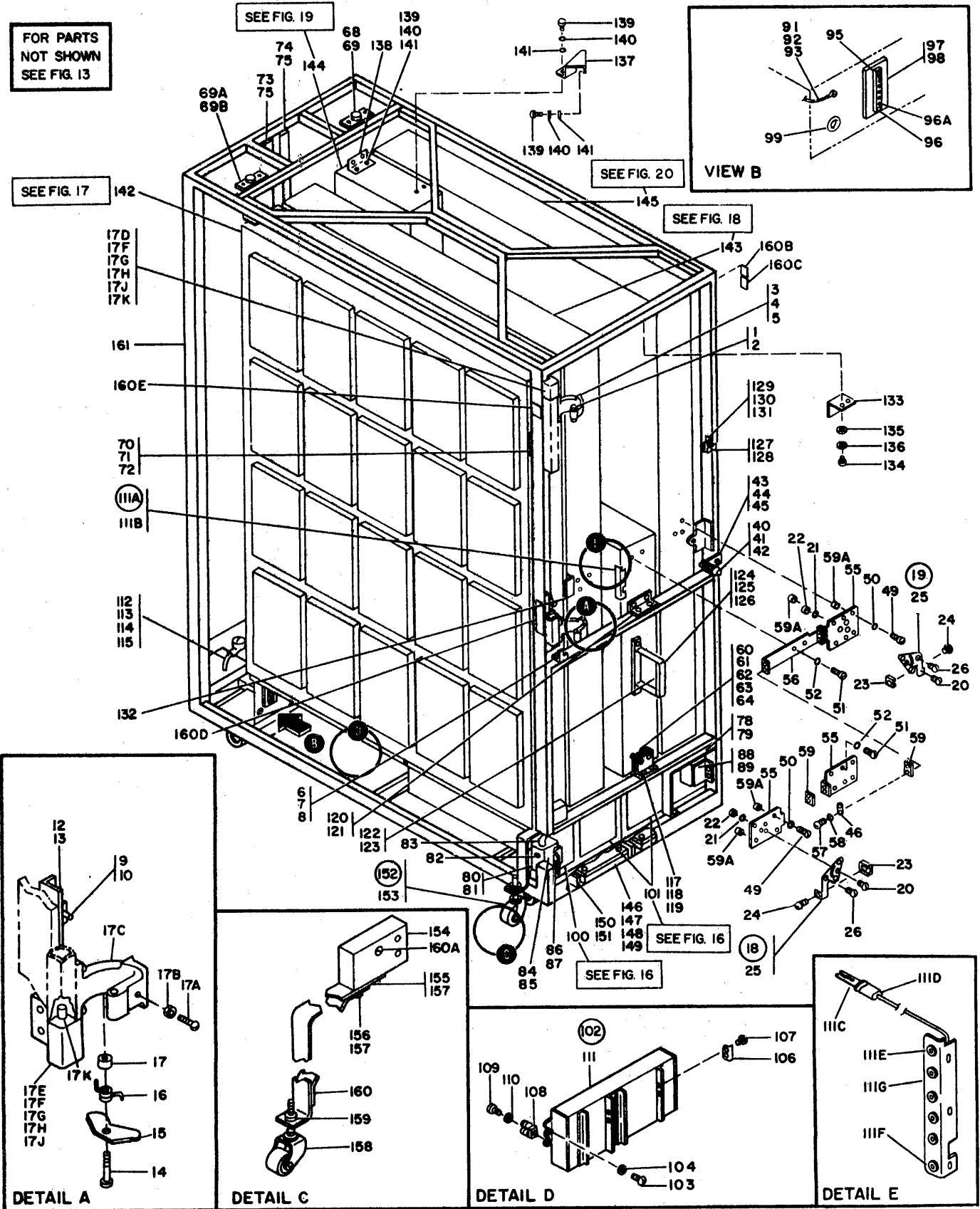


FIGURE 15. CPU FRAME ASSEMBLY. SEE LIST 15.

LIST AND INDEX NUMBER	PART NUMBER	DESCRIPTION	UNITS PER ASM.	USABLE ON CODE
		CPU FRAME ASSEMBLY		
		CODE 1 USED ON ASM PRIOR TO K8 SUFFIX CODE 2 USED ON ASM FROM K8 TO CURRENT		
15 -	5353209	FRAME ASSEMBLY-CPU SEE FIG.13-47 FOR NEXT HIGHER ASSEMBLY AND FIG.15 FOR ILLUSTRATION	REF	
- 1	5393203	• PIN,HINGE	2	
- 2	120211	• SCREW,MACH-HEX HD 10-32 X 1/2 LG	2	
- 3	5393222	• HINGE,CE PANEL	2	
- 4	4553	• SCREW,HEX HEAD- 3/8-16 X 3/4 LG	4	
- 5	10309	• LOCKWASHER	4	
- 6	5400502	• BRACKET,CAM CATCH	1	
- 7	322029	• SCREW,MACH-BIND HD 1/4-20 X 1/2 LG	2	
- 8	6935	• WASHER,LOCK-SPLIT 1/4 X 0.493 OD	2	
- 9	5403816	• ROLLER ASM-LATCH	2	
- 10	24107	• NUT,PLAIN,HEX- 3/8 X 9/16 FL W	2	
- 12	5353247	• BRACKET-STUD MTG	2	
- 13	332620	• SCREW,MACH BIND HD 10-32 X 1/2 LG	4	
- 14	5400500	• PIN PIVOT,CATCH	1	
- 15	5400503	• CATCH,PANEL	1	
- 16	5400501	• SPRING	1	
- 17	139326	• SPACER- .251 ID X 5/8 OD X .310 THK	1	
- 17A	322061	• SCREW,MACH-BIND HD 10-32 X 1-1/4 LG	1	
- 17B	11598	• NUT,PLAIN-HEX 10-32 X 3/8 FL W	1	
- 17C	5393210	• HINGE,CE PANEL	1	1
- 17D	5400639	• HINGE BLOCK ASSEMBLY-TOP	1	2
- 17D	5474858	• HINGE ASSEMBLY-TOP	1	
- 17E	5400640	• HINGE BLOCK ASSEMBLY-BOTTOM	1	1
- 17E	5474859	• HINGE ASSEMBLY-BOTTOM	1	2
- 17F	37935	• SCREW,MACH-HEX HD 3/8-16 X 1 LG	4	1
- 17F	5474861	• SCREW,CAP-HEX SOC HD 3/8-16 X 3-1/4 LG	4	2
- 17G	453	• WASHER,FL- 3/8 X 13/16 OD X 1/16 THK	2	1
- 17G	10309	• WASHER,LOCK-SPLIT 3/8	4	2
- 17H	10309	• LOCKWASHER	4	1
- 17H	22349	• NUT,PLAIN,HEX- 3/8-16	4	2
- 17J	5418142	• SHIM,HINGE ADJUSTING	4	
- 17K	5400603	• BEARING,HINGE TRIM	AR	
- 18	5353340	• HANDLE ASM-GATE LATCH LH	4	
- 19	5353334	• HANDLE ASM-GATE LATCH RH	1	
- 20	5403812	• SCREW,SHOULDER- 10-32 X 3/8 THD	4	
- 21	9092	• WASHER-LOCK,SPLIT RING, .194 ID .337OD	4	
- 22	11598	• NUT,PLAIN-HEX 10-32 X 3/8 FL W	4	
- 23	5353336	• . . KNOB-LATCH	1	
- 24	119	• . . SCREW,MACH-FL CSK HD 8-32 X 1/2 LG	1	
- 25	5353028	• . . HANDLE-GATE LATCH	1	
- 25	5353335	USED ON HANDLE-GATE LATCH LH • . . HANDLE-GATE LATCH,RH USED ON HANDLE-GATE LATCH RH	1	
- 26	5353337	• . . SCREW-GATE HANDLE CPU- 70	3	
- 40	333064	• CAP,BOLT	2	
- 41	59648	• SCREW-LOWER BRACKET	2	
- 42	3960	• NUT,PLAIN,HEX- 1/4-20 X 7/16 FL W	4	
- 43	5474733	• BRACKET,PANEL BUMPER	2	
- 44	55918	• SCREW,MACH-BIND HD 10-32 X 5/8 LG	4	
- 45	9092	• WASHER-LOCK,SPLIT RING, .194 ID .337OD	4	
- 46	5353107	• BUMPER, GATE	3	
- 49	234344	• SCREW,ASMD WASHER-FIL HD 1/4-20 X 1 LG	8	
- 50	3550	• WASHER,FL- 1/4 X 9/16 OD X 0.050 THK	8	
- 51	234340	• SCREW,ASM WASH-HEX HD SLOT 1/4-20 X 1/2	6	
- 52	3550	• WASHER,FL- 1/4 X 9/16 OD X 0.050 THK	6	
- 55	5353246	• PLATE LATCH	3	
- 56	5353249	• BRACKET-BUMPER	1	
- 57	25627	• SCREW-BD. HD 8-32 X .500 LG	8	
- 58	22478	• WASHER,FL- 0.170 ID 0.375 OD 0.32 THK	8	
- 59	5353251	• SHIM-BUMPER	AR	
- 59A	5353252	• SPACER-LATCH PLATE	8	
- 60	5703003	• SPACER	1	
- 61	5703002	• BUSHING	2	
- 62	322028	• SCREW,MACH-BIND HD 1/4-20 X 3/4 LG	2	
- 63	6935	• WASHER,LOCK-SPLIT 1/4 X 0.493 OD	2	
- 64	55586	• NUT,CHECK,HEX-1/4-20 X 1/8 FL W	2	
- 68	236570	• CLIP	1	
- 69	5372795	• PIN,HINGE	4	
- 69A	5820770	• PLATE	2	

LIST AND INDEX NUMBER	PART NUMBER	DESCRIPTION				UNITS PER ASM.	USABLE ON CODE
		1	2	3	4		
15 - 698	58207	• SCREW,MACH-UNDRCT BIND HD 8-32 X 1/4 LG				ATT PT	4
- 70	5400504	• STOP,HINGE					1
- 71	322029	• SCREW,MACH-BIND HD 1/4-20 X 1/2 LG				ATT PT	2
- 72	6935	• WASHER,LOCK-SPLIT 1/4 X 0.493 OD				ATT PT	2
- 73	5393036	• RACEWAY,FRAME B					4
- 74	5393037	• RACEWAY,FRAME C					4
- 75	472729	• SCREW,MACH-FL CSK HD 4-40 X 3/8 LG				ATT PT	24
- 78	5353199	• BRACKET-GATE SUPPORT					1
- 79	731630	• SCREW,THD FORMING- 10-32 X 0.500 LG				ATT PT	3
- 80	206421	• COVER,CONVENIENCE OUTLET BOX					2
- 81	53287	• SCREW,MACH-OVAL HD 6-32 X 3/4 LG				ATT PT	2
- 82	418835	• OUTLET-CONVENIENCE,220V USED ON 50 HZ ONLY					2
- 82	5213803	• OUTLET,CONVENIENCE- 125V USED ON 60 HZ ONLY					2
- 83	61486	• CONNECTOR-ELBOW					3
- 84	194355	• BOX-OUTLET					2
- 85	25627	• SCREW-BD. HD 8-32 X .500 LG				ATT PT	8
- 86	5397869	• BRACKET					1
- 87	322620	• SCREW,MACH-BIND HD 10-32 X 1/2 LG				ATT PT	2
- 88	5397869	• BRACKET					1
- 89	332620	• SCREW,MACH-BIND HD 10-32 X 1/2 LG				ATT PT	2
- 91	518614	• JUMPER ASSEMBLY-GROUND					AR
- 92	28413	SEE FIG. 79-65 FOR COMPONENT PARTS					
- 93	56079	• SCREW,MACH-BIND HD 10-32 X 5/16 LG				ATT PT	1
- 95	352121	• WASHER,LOCK-EXT T .195 ID .410 OD				ATT PT	1
- 96	32042	• BUS BAR- 6 POS					1
- 96A	236849	• SCREW, MACH BIND. HD 10-32 X 3/8 LG.				ATT PT	2
- 97	5331015	• SCREW,MACH-BIND HD 10-32 X 0.250 LG				ATT PT	6
- 98	438601	• INSULATOR					1
- 99	334012	• SCREW,MACH-UNDRCT BIND HD 10-32 X 7/8 LG				ATT PT	2
-100	5357003	• CHANNEL-RUBBER					1
-100	5357002	• COOLING UNIT ASSEMBLY- 50 HZ					2
-101	5357001	• COOLING UNIT ASSEMBLY- 50 HZ					2
-101	5357002	SEE FIG. 16 FOR DETAIL BREAKDOWN					
-102	5357036	• COOLING UNIT ASSEMBLY- 60 HZ					6
-103	34512	• COOLING UNIT ASSEMBLY- 50 HZ					6
-104	22478	SEE FIG. 16 FOR DETAIL BREAKDOWN					
-106	5349887	• HEADER ASSEMBLY					4
-107	5357136	• SCREW,BIND.HD 8-32 X .375 LG				ATT PT	16
-108	472168	• WASHER,FL- 0.170 ID 0.375 OD 0.32 THK				ATT PT	16
-109	112628	• STRIKE-FAN HOUSING					2
-110	338169	• SCREW,PAN HD-SELF TAP 4-40 X .187 LG				ATT PT	4
-111	5357040	• CLAMP-CABLE					1
-111A	5422644	• SCREW,THREAD FORMING,BIND HD,3/8 IN. LG				ATT PT	1
-111B	221790	• WASHER,LOCK-EXT TEETH NO. 4 X .260 OD				ATT PT	1
-111C	813195	• HEADER 5 BD					1
-111D	813197	• BRACKET ASSEMBLY,SYNC					1
-111E	313735	• SCREW,MACH-BIND HD 8-32 X 3/16 LG				ATT PT	3
-111F	321397	• CONNECTOR, DISCRETE 26-24-22 AWG					6
-111G	5422643	• HOUSING-TERMINAL					6
-112	5236967	• JACK					5
-113	5236966	• JACK					1
-114	32042	• BRACKET,SYNC					1
-115	56079	• JUMPER ASM-GRN/YEL 6 IN. 10AWG 1 LUG EA					AR
-117	38688	• JUMPER ASM-GRN/YEL 10 IN. 10AWG 1 LUG EA					AR
-118	3550	SEE FIG. 79-42E FOR COMPONENT PARTS					
-119	6935	• SCREW, MACH BIND. HD 10-32 X 3/8 LG.				ATT PT	8
-120	5353253	• WASHER,LOCK-EXT T .195 ID .410 OD				ATT PT	8
-121	234340	• SCREW-SUPPORT & TRIM MOUNTING .750 LONG					4
-122	5372749	• WASHER,FL- 1/4 X 9/16 OD X 0.050 THK					4
-123	5319854	• WASHER,LOCK-SPLIT 1/4 X 0.493 OD					4
-124	5372748	• BRACKET-STA GATE					1
-125	234340	• SCREW,ASM WASH-HEX HD SLOT 1/4-20 X 1/2				ATT PT	2
-126	3960	• BALL-SIDE					2
-127	5353343	• SCREW,THD CUTTING-HEX HD 8-32 X 0.375 LG				ATT PT	2
-128	236849	• FRAME-CONSOLE					1
-129	5474736	• SCREW,ASM WASH-HEX HD SLOT 1/4-20 X 1/2				ATT PT	2
-130	32042	• NUT,PLAIN,HEX- 1/4-20 X 7/16 FL W				ATT PT	2
-131	45690	• LATCH-SPRING					1
-132	5372878	• SCREW,MACH-BIND HD 10-32 X 0.250 LG				ATT PT	2
-133	5372821	• BRACKET-LATCH SUPPORT					1
		• SCREW, MACH BIND. HD 10-32 X 3/8 LG.				ATT PT	2
		• WASHER, FL - NO.10 X 7/16 OD X 1/32 THK				ATT PT	2
		• HANDLE-B GATE					1
		• BRACKET-R.O.S. MTG					1

FOR PARTS
NOT SHOWN
SEE FIG. 15, 21

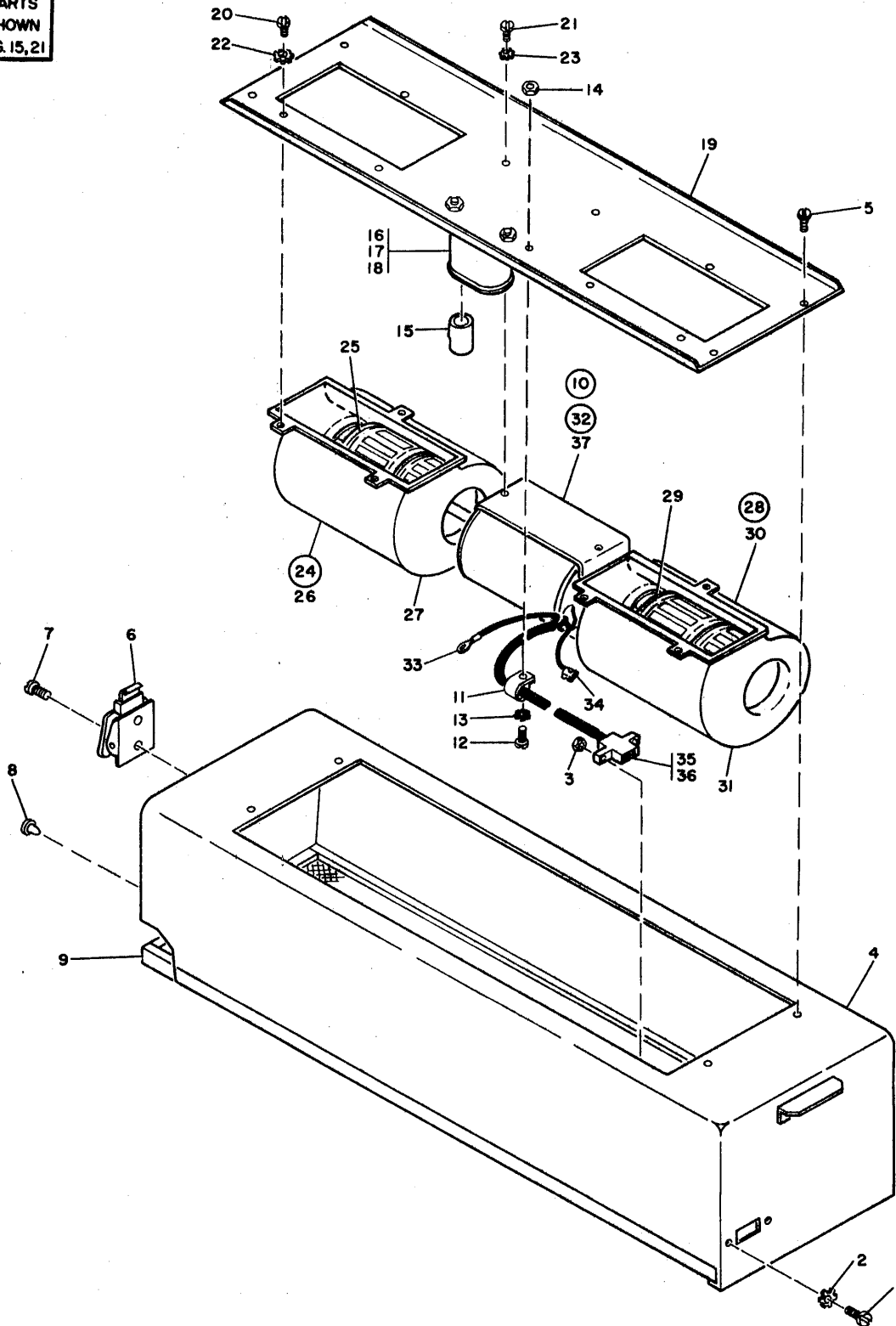


FIGURE 16. COOLING UNIT ASSEMBLIES. SEE LIST 16.

LIST AND INDEX NUMBER	PART NUMBER	DESCRIPTION	UNITS PER ASM.	USABLE ON CODE
		1 2 3 4		
		COOLING UNIT ASSEMBLIES		
16 -	5357001	COOLING UNIT ASSEMBLY- 60 HZ SEE FIG. 21-99 AND 15-100 FOR NEXT HIGHER ASSEMBLY	REF	
-	5357002	AND FIG. 16 FOR ILLUSTRATION COOLING UNIT ASSEMBLY- 50 HZ SEE FIG. 21-99, 15-100 AND 15-101 FOR NEXT HIGHER ASSEMBLY	REF	
-	5357003	AND FIG. 16 FOR ILLUSTRATION COOLING UNIT ASSEMBLY- 50 HZ SEE FIG. 15-100 FOR NEXT HIGHER ASSEMBLY	REF	
		AND FIG. 16 FOR ILLUSTRATION		
- 1	322065	. SCREW,MACH-BIND HD 6-32 X 5/8 LG	2	
- 2	56722	. WASHER,LOCK-EXT TEETH NO. 6	2	
- 3	257187	. NUT,PLAIN,HEX- 6-32 X 3/8 FL W	2	
- 4	5357011	. HOUSING-DUPLEX BLOWER	1	
- 5	740501	. SCREW,MACH-HEX HD 6-32 X 0.250 LG	4	ATT PT
- 6	5349888	. LATCH	1	
- 7	5357136	. SCREW,PAN HD-SELF TAP 4-40 X .187 LG	2	ATT PT
- 8	5357135	. CATCH	1	
- 9	5357013	. FILTER,AIR	1	
- 10	5357004	. BLOWER ASSEMBLY-60 HZ USED ON COOLING UNIT ASM P/N 5357001	1	
- 10	5357005	. BLOWER ASSEMBLY-50 HZ USED ON COOLING UNIT ASM P/N 5357002	1	
- 10	5357006	. BLOWER ASSEMBLY-50 HZ USED ON COOLING UNIT ASM P/N 5357003	1	
- 11	804109	. . CLAMP,LOOP- 3/8 ID 0.173 DIA MTG HOLE	1	
- 12	81693	. . SCREW,MACH-BIND HD 6-32 X 3/8 LG	1	ATT PT
- 13	56722	. . WASHER,LOCK-EXT TOOTH 0.150 OD X 0.320	1	ATT PT
- 14	257187	. . NUT,PLAIN,HEX- 6-32 X 3/8 FL W	1	ATT PT
- 15	526378	. . CAP-INSULATION	1	
- 16	5357137	. . CAPACITOR,P DIELEC- 3UUF P/M 10% 370V AC	1	
- 17	11598	. . NUT,PLAIN-HEX 10-32 X 3/8 FL W	2	ATT PT
- 18	56079	. . WASHER,LOCK-EXT T 0.195 ID X 0.410 OD	2	ATT PT
- 19	5357012	. . PLATE-DUPLEX MOUNTING	1	
- 20	81693	. . SCREW,MACH-BIND HD 6-32 X 3/8 LG	6	ATT PT
- 21	130434	. . SCREW-MACH,SLOTTED HEX HD NO.10-32 X.375	2	ATT PT
- 22	56722	. . WASHER,LOCK-EXT TEETH NO. 6	6	ATT PT
- 23	56079	. . WASHER,LOCK-EXT T .195 ID .410 OD	2	ATT PT
- 24	5357143	. . SCROLL AND WHEEL ASSEMBLY- 2.5 RIGHT USED ON 60 HZ ASM 5357004	1	
- 24	5357145	. . SCROLL AND WHEEL ASSEMBLY, RIGHT HAND USED ON 50 HZ ASM 5357005	1	
- 24	5357147	. . SCROLL AND WHEEL ASSEMBLY USED ON 50 HZ ASM 5357006	1	
- 25	5357016	. . . WHEEL ASSEMBLY-BLOWER FAN USED ON ASM 5357143	1	
- 25	5357024	. . . WHEEL ASSEMBLY-BLOWER FAN USED ON ASM 5357145	1	
- 25	5357027	. . . WHEEL,BLOWER USED ON ASM 5357147	1	
- 26	5357140	. . . SCROLL	1	
- 27	5357141	. . . BELL MOUTH-SCROLL MOUNTING	1	
- 28	5357142	. . SCROLL AND WHEEL ASSEMBLY- 2.5 LEFT USED ON 60 HZ ASM P/N 5357004	1	
- 28	5357144	. . SCROLL AND WHEEL ASSEMBLY, LEFT HAND USED ON 50 HZ ASM P/N 5357005	1	
- 28	5357146	. . SCROLL AND WHEEL ASSEMBLY USED ON 50 HZ ASM P/N 5357006	1	
- 29	5357017	. . . WHEEL ASSEMBLY-BLOWER FAN USED ON ASM 5357142	1	
- 29	5357025	. . . WHEEL ASSEMBLY-BLOWER FAN USED ON ASM 5357144	1	
- 29	5357028	. . . WHEEL ASSEMBLY-BLOWER FAN USED ON ASM 5357146	1	
- 30	5357140	. . . SCROLL	1	
- 31	5357141	. . . BELL MOUTH-SCROLL MOUNTING	1	
- 32	5357020	. . MOTOR AND CONNECTOR ASSEMBLY	1	
- 33	253740	. . . TERMINAL-RING,10-12 AWG,#6 HOLE,INS	1	
- 34	517913	. . . TERMINAL,SLIP ON-18-16 AWG	3	
- 35	5353853	. . . HOUSING	1	
- 36	5353854	. . . CONTACT, MALE 16-20 WIRE	3	
- 37	5357021	. . . MOTOR ASM- 3350 RPM 0.06 HP SP 50/60 HZ	1	

FOR PARTS
NOT SHOWN
SEE FIG. 15

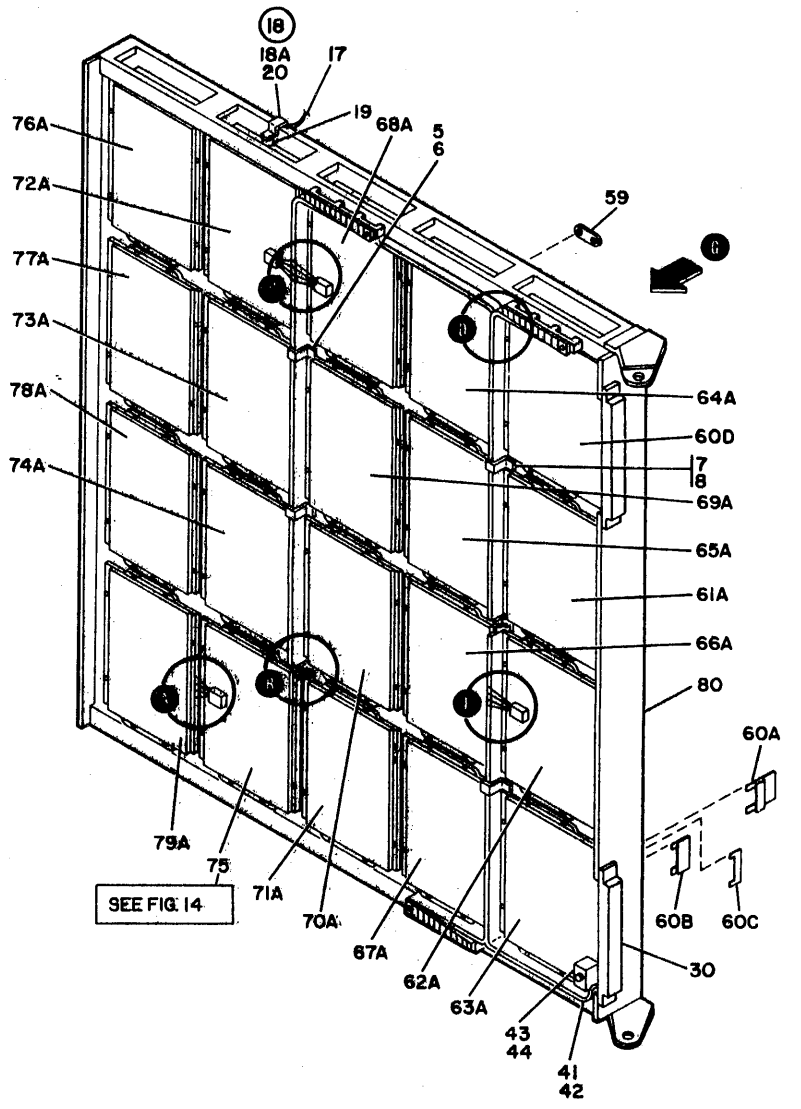
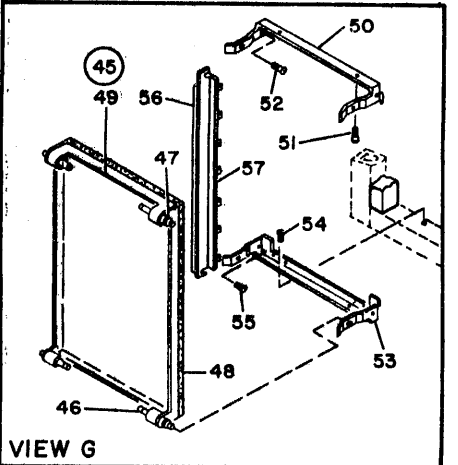
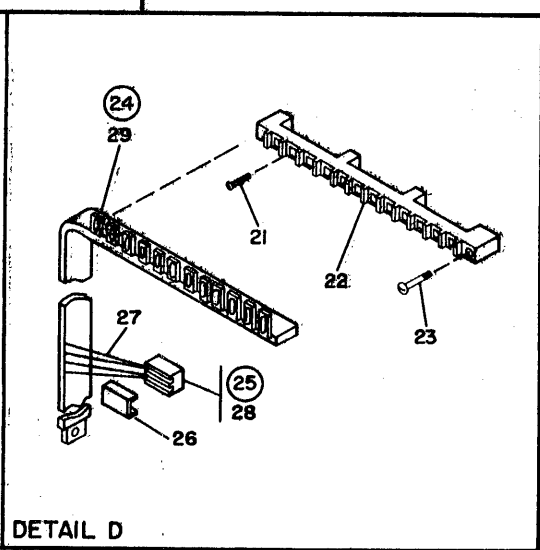
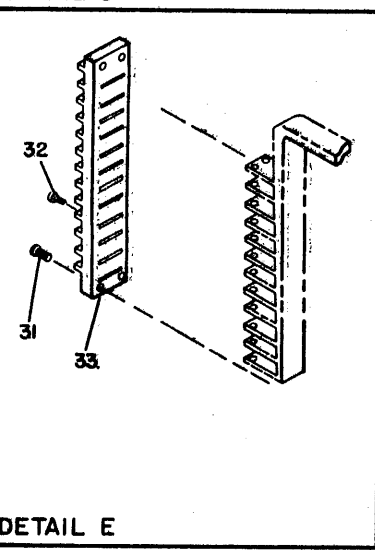
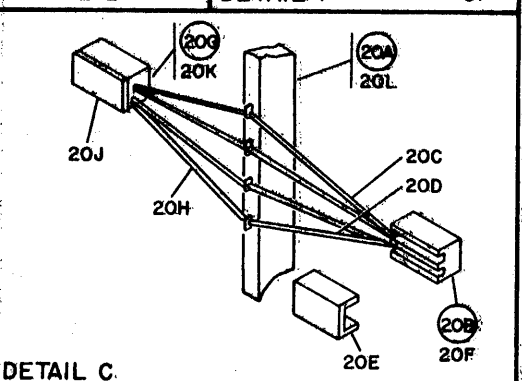
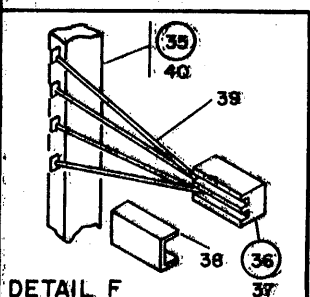
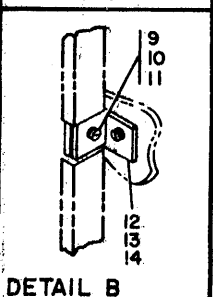
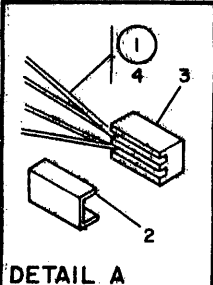


FIGURE 17. A GATE ASSEMBLY. SEE LIST 17.

LIST AND INDEX NUMBER	PART NUMBER	DESCRIPTION	UNITS PER ASM.	USABLE ON CODE
		A GATE ASSEMBLY		
17 -	NO NO.	GATE ASSEMBLY-A SEE FIG. 15-142 FOR NEXT HIGHER ASM AND FIG. 17 FOR ILLUSTRATION	NP	
- 1	811482	• CROSSOVER ASSEMBLY,VOLTAGE	20	
- 2	813802	• • COVER	2	
- 3	813801	• • HOUSING	2	
- 4	811484	• • CONTACT ASSEMBLY	4	
- 5	815946	• STRAP ASSEMBLY-BUS	2	
- 6	811426	• SCREW,MACH-PAN HD 6-32 X 3/8 IN. LG ATT PT	4	
- 7	815942	• BRACKET ASM	2	
- 8	811426	• SCREW,MACH-PAN HD 6-32 X 3/8 IN. LG ATT PT	4	
- 9	5356580	• SCREW,MACH-BIND HD 4-40 X 1/2 LG	2	
- 10	815039	• WASHER,FL-NO 4 X 1/8 ID X 1/4 OD	2	
- 11	5373223	• NUT,PLAIN,HEX- 4-40 X 0.250 FL W	2	
- 12	811742	• SUPPORT	2	
- 13	811426	• SCREW,MACH-PAN HD 6-32 X 3/8 IN. LG ATT PT	2	
- 14	2129550	• WASHER,FLAT- 5/16 OD 5/32 ID 1/32 THK ATT PT	2	
- 17	5357088	• CABLE ASM-THERMAL	1	
- 18	5428339	SEE FIG. 79-11,-33A AND -54 FOR COMPONENT PARTS		
- 18A	734483	• THERMAL SWITCH ASSEMBLY	2	
- 19	5428337	• SCREW,PAN HD- 6-32 X 0.380 LG ATT PT	2	
- 20	5428338	• • THERMAL SWITCH	1	
- 20A	5364042	• • BRACKET-MOUNTING	1	
- 20B	811483	• • CROSSOVER ASM	1	
- 20C	811485	• • CONTACT ASSEMBLY	5	
- 20D	811495	• • CONTACT ASM	2	
- 20E	811494	• • CONTACT ASSEMBLY	2	
- 20F	811486	• • COVER- 4 PIN BLK FOR HOUSING P/N 811486	1	
- 20G	811621	• • HOUSING- 4 PIN NAT USES COVER P/N 811494	1	
- 20H	811496	• • CROSSOVER ASSEMBLY	10	
- 20J	811494	• • CONTACT ASSEMBLY	4	
- 20K	811486	• • COVER- 4 PIN BLK FOR HOUSING P/N 811486	2	
- 20L	811530	• • HOUSING- 4 PIN NAT USES COVER P/N 811494	2	
- 21	811481	• • BUS ASSEMBLY, VERT., 3 BOARD	1	
- 22	811476	• SCREW,MACH- 6-32 X 1/4 LG	48	
- 23	38391	• TERMINAL BLOCK,BUS TO BUS	4	
- 24	5428141	• SCREW MACHINE,FIL HD ATT PT	8	
- 25	811621	• BUS AND CROSSOVER ASSEMBLY,VERTICAL	1	
- 26	811486	• • CROSSOVER ASSEMBLY	10	
- 27	811494	• • HOUSING- 4 PIN NAT USES COVER P/N 811494	2	
- 28	811496	• • COVER- 4 PIN BLK FOR HOUSING P/N 811486	2	
- 29	815125	• • CONTACT ASSEMBLY	4	
- 30	811509	• • BUS ASSEMBLY	1	
- 31	811422	• BUS ASSEMBLY,HORIZONTAL	1	
- 32	815151	• SCREW,HEX H- 8-32 X 0.625 LG ATT PT	4	
- 33	811474	• • SCREW-MACH NO. 8-32 X .2	1	
- 35	5428142	• • TERMINAL BLOCK ASSEMBLY	1	
- 36	811621	• BUS AND CROSSOVER ASSEMBLY,VERTICAL	1	
- 37	811486	• • CROSSOVER ASSEMBLY	10	
- 38	811494	• • HOUSING- 4 PIN NAT USES COVER P/N 811494	2	
- 39	811496	• • COVER- 4 PIN BLK FOR HOUSING P/N 811486	2	
- 40	815125	• • CONTACT ASSEMBLY	4	
- 41	811507	• • BUS ASSEMBLY	1	
- 42	811422	• BUS ASSEMBLY,HORIZONTAL	1	
- 43	813179	• SCREW,HEX H- 8-32 X 0.625 LG ATT PT	4	
- 44	811417	• CLAMP-BOARD	160	
- 45	811869	• SCREW,HEX SOCKET H- 6-32 X 1/2 LG ATT PT	160	
- 46	815963	• COVER ASSEMBLY-CARD	20	
- 47	815964	• • CATCH-PULL	4	
- 48	815263	• • SPACER-HINGE	4	
- 49	811868	• • BACKING, FOAM	AR	
- 50	811855	• • COVER-CARD	1	
- 51	734483	• BRACKET-HINGE	20	
- 52	55726	• SCREW,PAN HD- 6-32 X 0.380 LG ATT PT	40	
- 53	811854	• SCREW,MACH-BIND HD 6-32 X .188 LG ATT PT	40	
- 54	734483	• BRACKET-HINGE	20	
- 55	55726	• SCREW,PAN HD- 6-32 X 0.380 LG ATT PT	40	
- 56	811442	• SCREW,MACH-BIND HD 6-32 X .188 LG ATT PT	40	
- 57	811881	• SEAL	40	
- 59	811427	• RETAINER ASSEMBLY	37	
- 60	5357729 NP	• STRAP,CABLE	220	
- 60A	811363	• BOARD ASM-01A-A1		
- 60B	811802	• • EXTENDER, CARD, 6 PAC	AR	
		• • GUIDE-CARD	AR	

LIST AND INDEX NUMBER	PART NUMBER	DESCRIPTION				UNITS PER ASM.	USABLE ON CODE
		1	2	3	4		
17 - 60C	811804	• • GUIDE, CARD				AR	1
- 60D	5357728	• • BOARD ASSEMBLY-CUSTOMIZED					
- 61	5357731 NP	• BOARD ASM-01A-A2				1	
- 61A	5357730	• • BOARD ASSEMBLY-CUSTOMIZED					
- 62	5357733 NP	• BOARD ASM-01A-A3				1	
- 62A	5357732	• • BOARD ASSEMBLY-CUSTOMIZED					
- 63	5357735 NP	• BOARD ASM-01A-A4				1	
- 63A	5357734	• • BOARD ASSEMBLY-CUSTOMIZED					
- 64	5357737 NP	• BOARD ASM-01A-B1				1	
- 64A	5357736	• • BOARD ASSEMBLY-CUSTOMIZED					
- 65	5357739 NP	• BOARD ASM-01A-B2				1	
- 65A	5357738	• • BOARD ASSEMBLY-CUSTOMIZED					
- 66	5357741 NP	• BOARD ASM-01A-B3				1	
- 66A	5357740	• • BOARD ASSEMBLY-CUSTOMIZED					
- 67	5357743 NP	• BOARD ASM-01A-B4				1	
- 67A	5357742	• • BOARD ASSEMBLY-CUSTOMIZED					
- 68	5357745 NP	• BOARD ASM-01A-C1				1	
- 68A	5357744	• • BOARD ASSEMBLY-CUSTOMIZED					
- 69	5357747 NP	• BOARD ASM-01A-C2				1	
- 69A	5357746	• • BOARD ASSEMBLY-CUSTOMIZED					
- 70	5357749 NP	• BOARD ASM-01A-C3				1	
- 70A	5357748	• • BOARD ASSEMBLY-CUSTOMIZED					
- 71	5357751 NP	• BOARD ASM-01A-C4				1	
- 71A	5357750	• • BOARD ASSEMBLY-CUSTOMIZED					
- 72	5357753 NP	• BOARD ASM-01A-D1				1	
- 72A	5357752	• • BOARD ASSEMBLY-CUSTOMIZED					
- 73	5357755 NP	• BOARD ASM-01A-D2				1	
- 73A	5357754	• • BOARD ASSEMBLY-CUSTOMIZED					
- 74	5357757 NP	• BOARD ASM-01A-D3				1	
- 74A	5357756	• • BOARD ASSEMBLY-CUSTOMIZED					
- 75	5262000	• MEMORY ASSEMBLY-S9				1	
		SEE FIG. 14 FOR DETAIL BREAKDOWN				1	
- 76	5357761 NP	• BOARD ASM-01A-E1				1	
- 76A	5357760	• • BOARD ASSEMBLY-CUSTOMIZED					
- 77	5357763 NP	• BOARD ASM-01A-E2				1	
- 77A	5357762	• • BOARD ASSEMBLY-CUSTOMIZED					
- 78	5357765 NP	• BOARD ASM-01A-E3				1	
- 78A	5357764	• • BOARD ASSEMBLY-CUSTOMIZED					
- 79	5357767 NP	• BOARD ASM-01A-E4				1	
- 79A	5357766	• • BOARD ASSEMBLY-CUSTOMIZED					
- 80	5353206	• GATE ASM				1	

FOR PARTS
NOT SHOWN
SEE FIG. 15

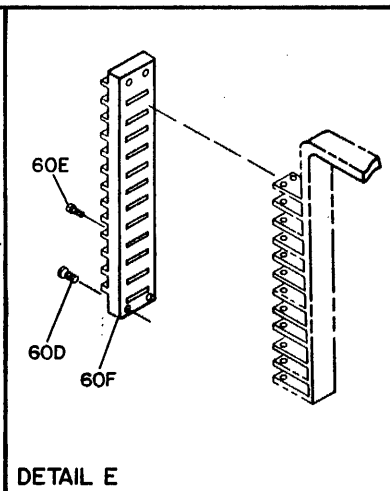
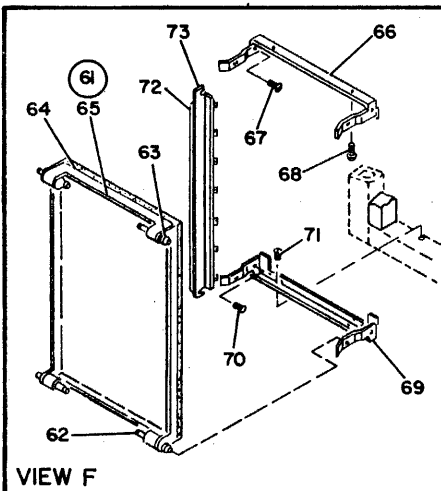
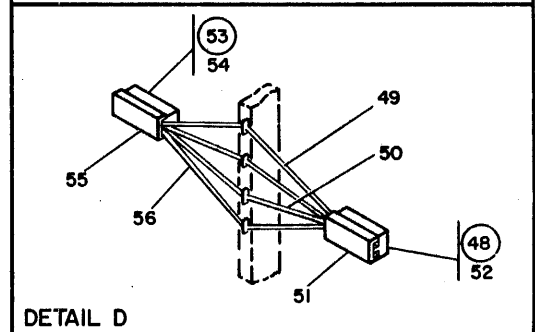
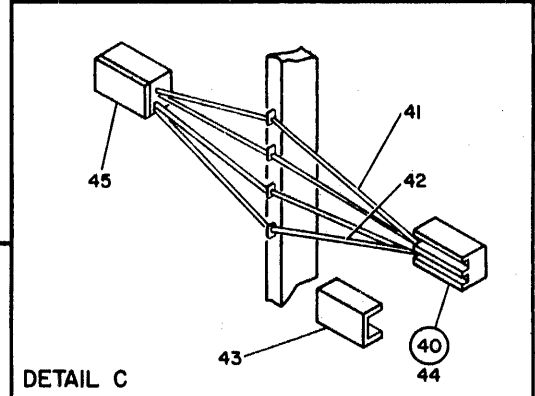
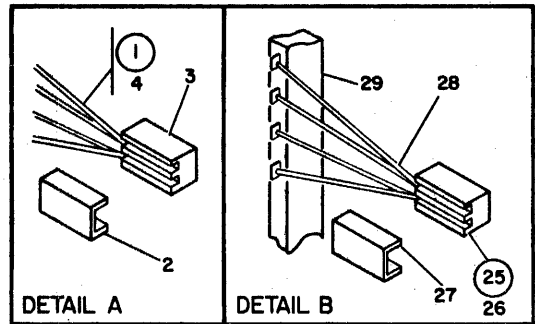
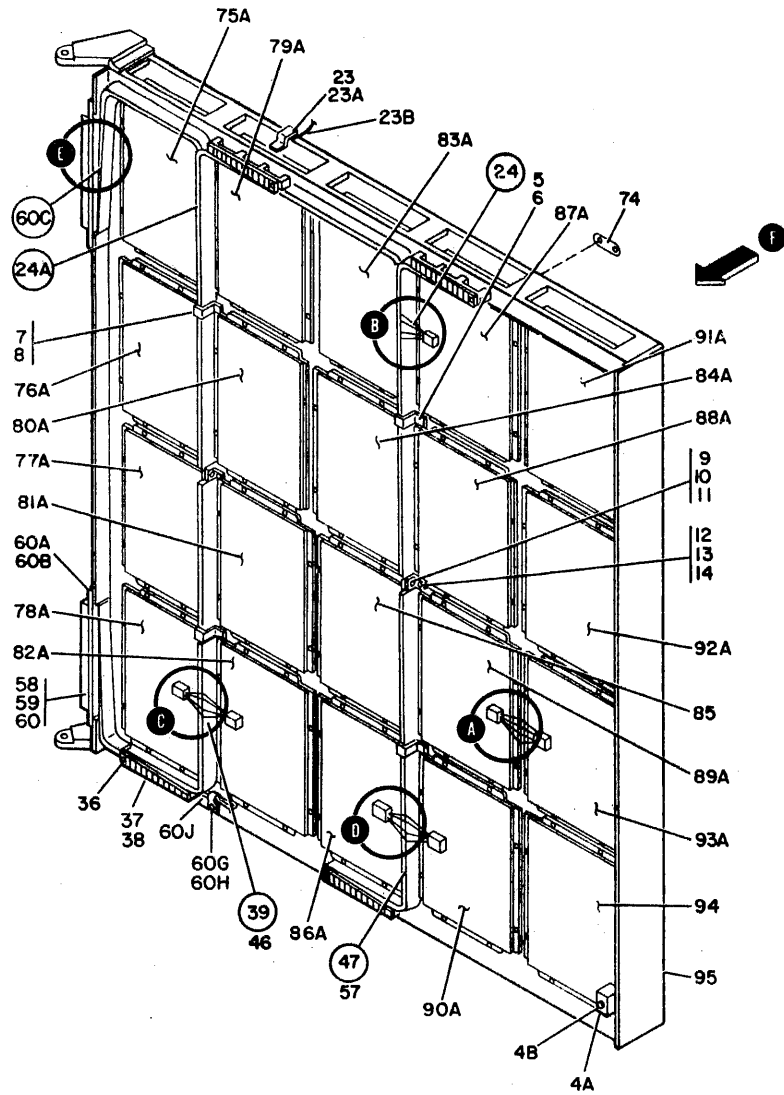


FIGURE 18. B GATE ASSEMBLY. SEE LIST 18.

LIST AND INDEX NUMBER	PART NUMBER	DESCRIPTION	UNITS PER ASM.	USABLE ON CODE
		B GATE ASSEMBLY		
18 -	NO NO.	GATE ASSEMBLY-B SEE FIG. 15-143 FOR NEXT HIGHER ASM SEE FIG. 18 FOR ILLUSTRATION	NP	
- 1	811482	. CROSSOVER ASSEMBLY,VOLTAGE	20	
- 2	813802	. . COVER	2	
- 3	813801	. . HOUSING	2	
- 4	811484	. . CONTACT ASSEMBLY	4	
- 4A	813179	. CLAMP-BOARD	AR	
- 4B	811417	. SCREW,HEX SOCKET H- 6-32 X 1/2 LG ATT PT	AR	
- 5	815946	. STRAP ASSEMBLY-BUS	2	
- 6	811426	. SCREW,MACH-PAN HD 6-32 X 3/8 IN. LG ATT PT	4	
- 7	815942	. BRACKET ASM	2	
- 8	811426	. SCREW,MACH-PAN HD 6-32 X 3/8 IN. LG ATT PT	4	
- 9	5356580	. SCREW,MACH-BIND HD 4-40 X 1/2 LG	2	
- 10	815039	. WASHER,FL-NO 4 X 1/8 ID X 1/4 OD	2	
- 11	5373223	. NUT,PLAIN,HEX- 4-40 X 0.250 FL W	2	
- 12	811742	. SUPPORT	2	
- 13	811426	. SCREW,MACH-PAN HD 6-32 X 3/8 IN. LG ATT PT	2	
- 14	2129550	. WASHER,FLAT- 5/16 OD 5/32 ID 1/32 THK ATT PT	2	
- 23	5428339	. THERMAL SWITCH ASSEMBLY	2	
- 23A	734483	. SCREW,PAN HD- 6-32 X 0.380 LG ATT PT	2	
- 23B	5357088	. CABLE ASM-THERMAL SEE FIG. 79-11,-33A AND -54 FOR COMPONENT PARTS	1	
- 24	5364053	. CROSSOVER ASM	1	
- 24A	5428141	. BUS AND CROSSOVER ASSEMBLY,VERTICAL	1	
- 25	811621	. . CROSSOVER ASSEMBLY	10	
- 26	811486	. . . HOUSING- 4 PIN NAT USES COVER P/N 811494	2	
- 27	811494	. . . COVER- 4 PIN BLK FOR HOUSING P/N 811486	2	
- 28	811496	. . . CONTACT ASSEMBLY	4	
- 29	811520	. . BUS ASSEMBLY, VERT., 2 BOARD	1	
- 29	815125	. USED ON CROSSOVER ASM-5364053 . . BUS ASSEMBLY USED ON CROSSOVER ASM-5428141	1	
- 36	811481	. SCREW,MACH- 6-32 X 1/4 LG	48	
- 37	811476	. TERMINAL BLOCK,BUS TO BUS	4	
- 38	38391	. SCREW MACHINE,FIL HD ATT PT	8	
- 39	5364498	. BUS AND CROSSOVER ASSEMBLY,VERTICAL	1	
- 40	811483	. . CROSSOVER ASSEMBLY	5	
- 41	811485	. . . CONTACT ASM	2	
- 42	811495	. . . CONTACT ASSEMBLY	2	
- 43	811494	. . . COVER- 4 PIN BLK FOR HOUSING P/N 811486	1	
- 44	811486	. . . HOUSING- 4 PIN NAT USES COVER P/N 811494	1	
- 45	5365471	. . CROSSOVER ASSEMBLY	5	
- 46	811520	. . BUS ASSEMBLY, VERT., 2 BOARD	1	
- 47	5449014	. BUS AND CROSSOVER ASSEMBLY,VERTICAL	1	
- 48	811483	. . CROSSOVER ASSEMBLY	5	
- 49	811485	. . . CONTACT ASM	2	
- 50	811495	. . . CONTACT ASSEMBLY	2	
- 51	811494	. . . COVER- 4 PIN BLK FOR HOUSING P/N 811486	1	
- 52	811486	. . . HOUSING- 4 PIN NAT USES COVER P/N 811494	1	
- 53	811621	. . CROSSOVER ASSEMBLY	5	
- 54	811486	. . . HOUSING- 4 PIN NAT USES COVER P/N 811494	2	
- 55	811494	. . . COVER- 4 PIN BLK FOR HOUSING P/N 811486	2	
- 56	811496	. . . CONTACT ASSEMBLY	4	
- 57	815125	. . BUS ASSEMBLY	1	
- 58	320451	. TERMINAL BOARD- 10 DBL SCREW TERMINALS	1	
- 59	25627	. SCREW-BD. HD 8-32 X .500 LG ATT PT	4	
- 60	510186	. INSULATOR,STRIP	1	
- 60A	5462020	. BRACKET,TB MOUNTING	1	
- 60B	34512	. SCREW,BIND.HD 8-32 X .375 LG ATT PT	4	
- 60C	811507	. BUS ASSEMBLY,HORIZONTAL	1	
- 60D	811422	. SCREW,HEX H- 8-32 X 0.625 LG ATT PT	4	
- 60E	815151	. . SCREW-MACH NO. 8-32 X .2	24	
- 60F	811474	. . TERMINAL BLOCK ASSEMBLY	1	
- 60G	327922	. CLAMP, CABLE-.625 DIAMETER	3	
- 60H	32042	. SCREW, MACH BIND. HD 10-32 X 3/8 LG. ATT PT	3	
- 60J	5440639	. CABLE ASM-TB GATE B	1	
- 60J	5462363	. CABLE ASM-TB GATE B SEE FIG. 79-22 AND -106 FOR COMPONENT PARTS	1	
- 61	811869	. COVER ASSEMBLY-CARD	AR	
- 62	815963	. . CATCH-PULL	4	
- 63	815964	. . SPACER-HINGE	4	
- 64	815263	. . BACKING, FOAM	AR	

LIST AND INDEX NUMBER	PART NUMBER	DESCRIPTION				UNITS PER ASM.	USABLE ON CODE
		1	2	3	4		
18 - 65	811868	. . COVER-CARD				1	
- 66	811855	. BRACKET-HINGE				AR	
- 67	734483	. SCREW,PAN HD- 6-32 X 0.380 LG				AR	
- 68	55726	. SCREW,MACH-BIND HD 6-32 X .188 LG				AR	
- 69	811854	. BRACKET-HINGE				AR	
- 70	734483	. SCREW,PAN HD- 6-32 X 0.380 LG				AR	
- 71	55726	. SCREW,MACH-BIND HD 6-32 X .188 LG				AR	
- 72	811442	. SEAL				40	
- 73	811881	. RETAINER ASSEMBLY				20	
- 74	811427	. STRAP,CABLE				220	
- 75	5357769 NP	. BOARD ASM-01B-A1					
- 75A	5357768	. . BOARD ASSEMBLY-CUSTOMIZED				1	
- 76	5357771 NP	. BOARD ASM-01B-A2					
- 76A	5357770	. . BOARD ASSEMBLY-CUSTOMIZED				1	
- 77	5357781 NP	. BOARD ASM-01B-A3					
- 77A	5357780	. . BOARD ASSEMBLY-CUSTOMIZED				1	
- 78	5357783 NP	. BOARD ASM-01B-A4					
- 78A	5357782	. . BOARD ASSEMBLY-CUSTOMIZED				1	
- 79	5357777 NP	. BOARD ASM-01B-B1					
- 79A	5357776	. . BOARD ASSEMBLY-CUSTOMIZED				1	
- 80	5357779 NP	. BOARD ASM-01B-B2					
- 80A	5357778	. . BOARD ASSEMBLY-CUSTOMIZED				1	
- 81	5357789 NP	. BOARD ASM-01B-B3					
- 81A	5357788	. . BOARD ASSEMBLY-CUSTOMIZED				1	
- 82	5357791 NP	. BOARD ASM-01B-B4					
- 82A	5357790	. . BOARD ASSEMBLY-CUSTOMIZED				1	
- 83	5357785 NP	. BOARD ASM-01B-C1					
- 83A	5357784	. . BOARD ASSEMBLY-CUSTOMIZED				1	
- 84	5357787 NP	. BOARD ASM-01B-C2					
- 84A	5357786	. . BOARD ASSEMBLY-CUSTOMIZED				1	
- 85	811066	. BOARD,DUMMY				1	
- 86	5357799 NP	. BOARD ASM-01B-C4					
- 86A	5357798	. . BOARD ASSEMBLY-CUSTOMIZED				1	
- 87	5357793 NP	. BOARD ASM-01B-D1					
- 87A	5357792	. . BOARD ASSEMBLY-CUSTOMIZED				1	
- 88	5357795 NP	. BOARD ASM-01B-D2					
- 88A	5357794	. . BOARD ASSEMBLY-CUSTOMIZED				1	
- 89	5357805 NP	. BOARD ASM-01B-D3					
- 89A	5357804	. . BOARD ASSEMBLY-CUSTOMIZED				1	
- 90	5357855 NP	. BOARD ASM-01B-D4					
- 90A	5357854	. . BOARD ASSEMBLY-CUSTOMIZED				1	
- 91	5357801 NP	. BOARD ASM-01B-E1					
- 91A	5357800	. . BOARD ASSEMBLY-CUSTOMIZED				1	
- 92	5357803 NP	. BOARD ASM-01B-E2					
- 92A	5357802	. . BOARD ASSEMBLY-CUSTOMIZED				1	
- 93	5403919 NP	. BOARD ASM-01B-E3					
- 93A	5403918	. . BOARD ASSEMBLY-CUSTOMIZED				1	
- 94	811066	. BOARD,DUMMY				1	
- 95	5353207	. GATE ASM				1	

FOR PARTS
NOT SHOWN
SEE FIG. 15

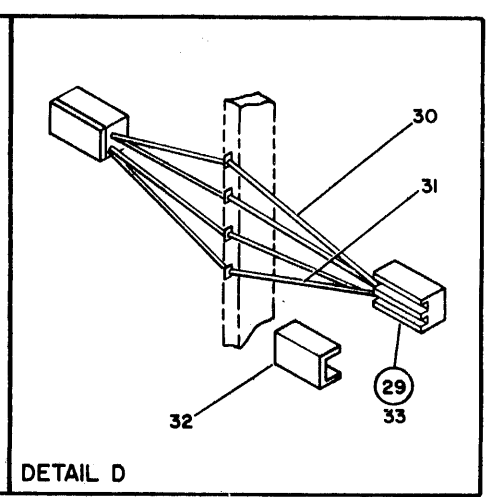
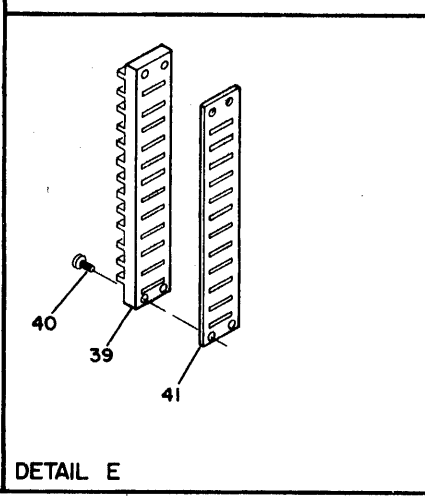
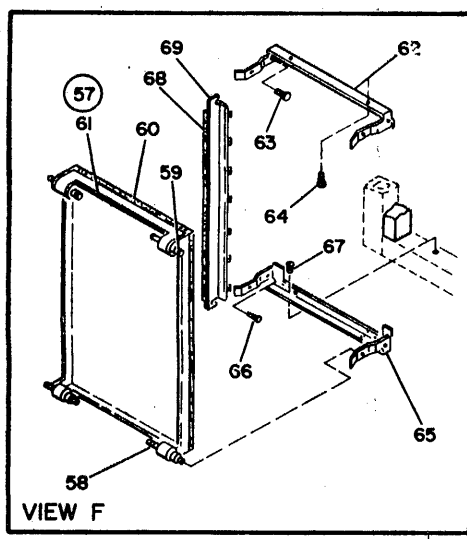
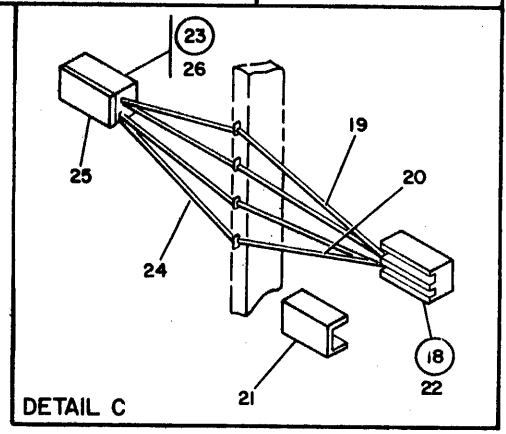
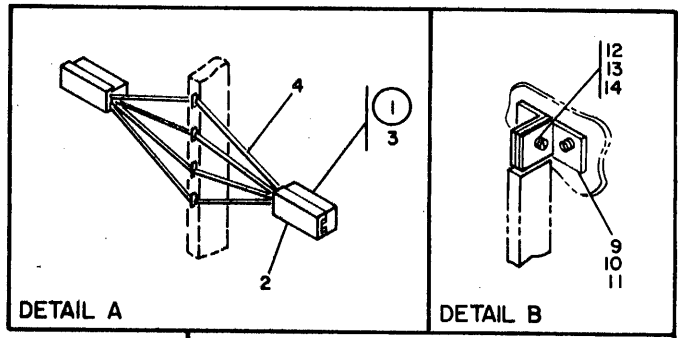
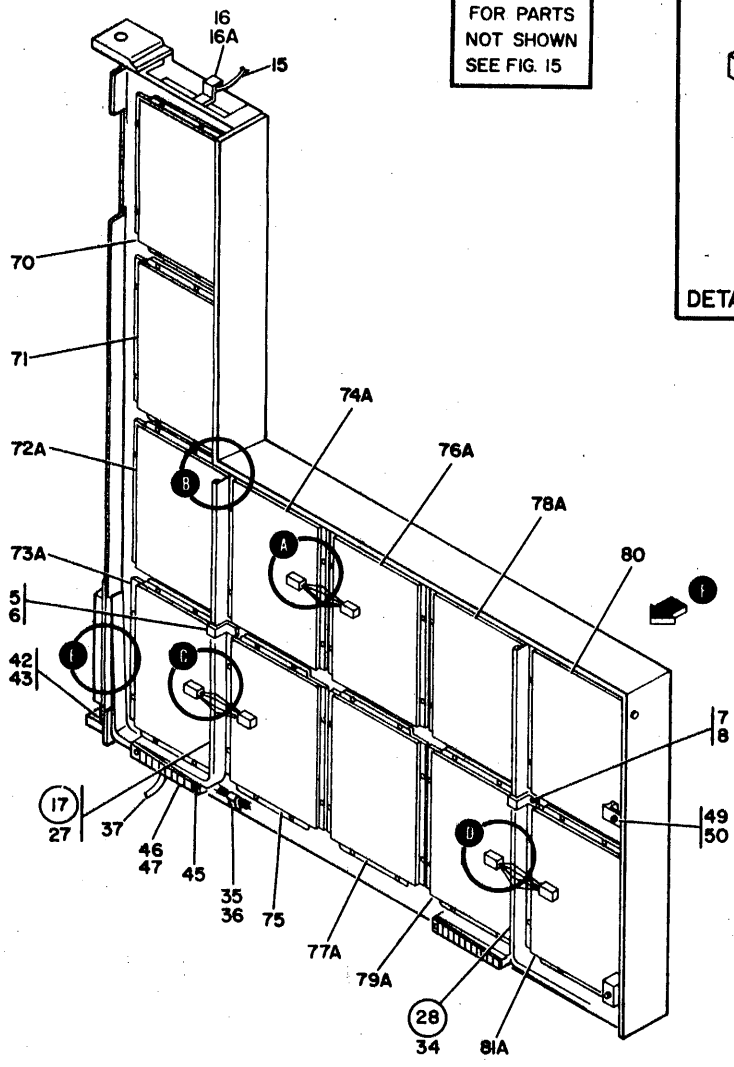


FIGURE 19. C/D GATE ASSEMBLY. SEE LIST 19.

LIST AND INDEX NUMBER	PART NUMBER	DESCRIPTION				UNITS PER ASM.	USABLE ON CODE
		1	2	3	4		
		C/D GATE ASSEMBLY					
19 -	NO NO.	GATE ASM-C/D SEE FIG. 15-144 FOR NEXT HIGHER ASM SEE FIG. 19 FOR ILLUSTRATION				REF	
- 1	811482	. CROSSOVER ASSEMBLY,VOLTAGE				10	
- 2	813802	. . COVER				2	
- 3	813801	. . HOUSING				2	
- 4	811484	. . CONTACT ASSEMBLY				4	
- 5	815946	. STRAP ASSEMBLY-BUS				1	
- 6	811426	. SCREW,MACH-PAN HD 6-32 X 3/8 IN. LG ATT PT				2	
- 7	815942	. BRACKET ASM				1	
- 8	811426	. SCREW,MACH-PAN HD 6-32 X 3/8 IN. LG ATT PT				2	
- 9	5356580	. SCREW,MACH-BIND HD 4-40 X 1/2 LG				2	
- 10	5373223	. NUT,PLAIN,HEX- 4-40 X 0.250 FL W				2	
- 11	815039	. WASHER,FL-NO 4 X 1/8 ID X 1/4 OD				2	
- 12	811742	. SUPPORT				2	
- 13	2129550	. WASHER,FLAT- 5/16 OD 5/32 ID 1/32 THK ATT PT				2	
- 14	811426	. SCREW,MACH-PAN HD 6-32 X 3/8 IN. LG ATT PT				2	
- 15	5449032	. CABLE ASM-THERMAL 1 BD				1	
		SEE FIG. 79-11,-33A AND -54 FOR COMPONENT PARTS					
- 16	5428339	. THERMAL SWITCH ASSEMBLY				1	
- 16A	734483	. SCREW,PAN HD- 6-32 X 0.380 LG ATT PT				1	
- 17	5364047	. CROSSOVER ASM				1	
- 18	811483	. . CROSSOVER ASSEMBLY				5	
- 19	811485	. . . CONTACT ASM				2	
- 20	811495	. . . CONTACT ASSEMBLY				2	
- 21	811494	. . . COVER- 4 PIN BLK FOR HOUSING P/N 811486				1	
- 22	811486	. . . HOUSING- 4 PIN NAT USES COVER P/N 811494				1	
- 23	811621	. . CROSSOVER ASSEMBLY				5	
- 24	811496	. . . CONTACT ASSEMBLY				4	
- 25	811494	. . . COVER- 4 PIN BLK FOR HOUSING P/N 811486				2	
- 26	811486	. . . HOUSING- 4 PIN NAT USES COVER P/N 811494				2	
- 27	811520	. . BUS ASSEMBLY, VERT., 2 BOARD				1	
- 28	5364043	. CROSSOVER ASM				1	
- 29	811483	. . CROSSOVER ASSEMBLY				10	
- 30	811485	. . . CONTACT ASM				2	
- 31	811495	. . . CONTACT ASSEMBLY				2	
- 32	811494	. . . COVER- 4 PIN BLK FOR HOUSING P/N 811486				1	
- 33	811486	. . . HOUSING- 4 PIN NAT USES COVER P/N 811494				1	
- 34	815125	. . BUS ASSEMBLY				1	
- 35	327922	. CLAMP, CABLE-.625 DIAMETER				3	
- 36	32042	. SCREW, MACH BIND. HD 10-32 X 3/8 LG. ATT PT				2	
- 37	5440639	. CABLE ASM-TB TO POWER				1	
- 37	5440636	. CABLE ASSEMBLY-POWER TB,S GATE C AND D SEE FIG. 79-22A AND 79-106 FOR COMPONENT PARTS				1	
- 39	320451	. TERMINAL BOARD- 10 DBL SCREW TERMINALS				1	
- 40	25627	. SCREW-BD. HD 8-32 X .500 LG ATT PT				4	
- 41	510186	. INSULATOR, STRIP				1	
- 42	5462020	. BRACKET,TB MOUNTING				1	
- 43	34512	. SCREW,BIND.HD 8-32 X .375 LG ATT PT				4	
- 46	811476	. TERMINAL BLOCK,BUS TO BUS				2	
- 47	38391	. SCREW MACHINE,FIL HD ATT PT				4	
- 49	813179	. CLAMP-BOARD				64	
- 50	811417	. SCREW,HEX SOCKET H- 6-32 X 1/2 LG ATT PT				64	
- 57	811869	. COVER ASSEMBLY-CARD				AR	
- 58	815963	. . CATCH-PULL				4	
- 59	815964	. . SPACER-HINGE				4	
- 60	815263	. . BACKING, FOAM				AR	
- 61	811868	. . COVER-CARD				1	
- 62	811855	. BRACKET-HINGE				AR	
- 63	734483	. SCREW,PAN HD- 6-32 X 0.380 LG ATT PT				AR	
- 64	55726	. SCREW,MACH-BIND HD 6-32 X .188 LG ATT PT				AR	
- 65	811854	. BRACKET-HINGE				AR	
- 66	734483	. SCREW,PAN HD- 6-32 X 0.380 LG ATT PT				AR	
- 67	55726	. SCREW,MACH-BIND HD 6-32 X .188 LG ATT PT				AR	
- 68	811442	. SEAL				AR	
- 69	811881	. RETAINER ASSEMBLY				AR	
- 70	811066	. BOARD,DUMMY				1	
- 71	811066	. BOARD,DUMMY				1	
- 72	5357807 NP	. BOARD ASM-01C-A3					
- 72A	5357806	. . BOARD ASSEMBLY-CUSTOMIZED				1	
- 73	5357857 NP	. BOARD ASM-01C-A4					
- 73A	5357858	. . BOARD ASSEMBLY-CUSTOMIZED				1	
- 74	5357853 NP	. BOARD ASM-01C-B3					

FOR PARTS
NOT SHOWN
SEE FIG. 15

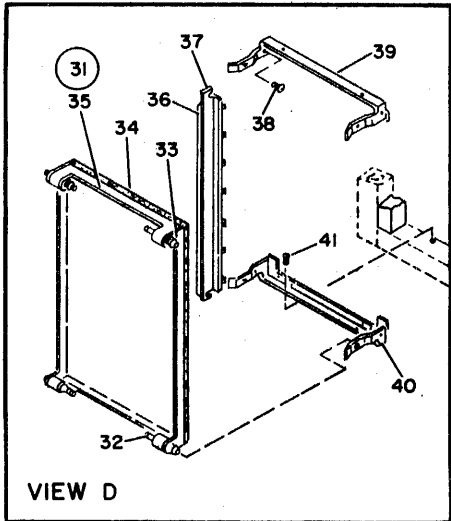
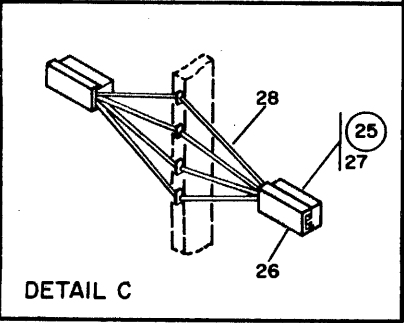
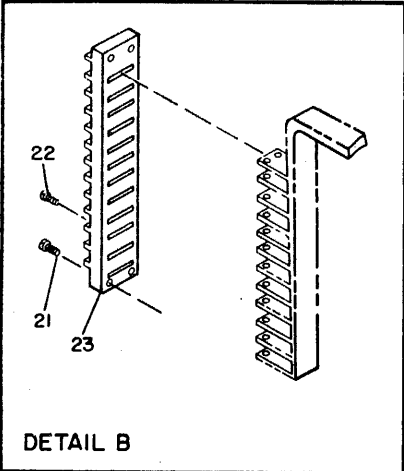
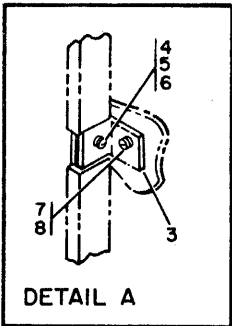
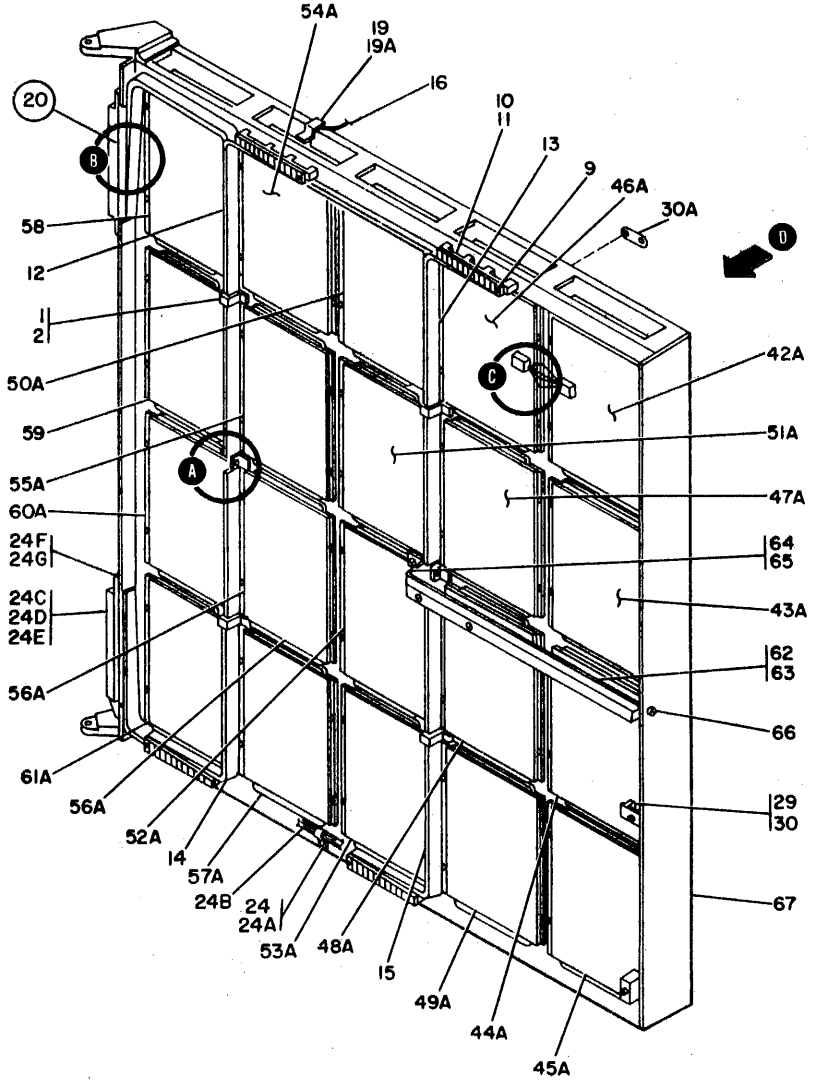


FIGURE 20. E GATE ASSEMBLY. SEE LIST 20.

LIST AND INDEX NUMBER	PART NUMBER	DESCRIPTION				UNITS PER ASM.	USABLE ON CODE
		1	2	3	4		
		E GATE ASSEMBLY					
20 -	NO NO.	GATE ASSEMBLY-E SEE FIG. 15-145 FOR NEXT HIGHER ASM AND FIG. 20 FOR ILLUSTRATION				NP	
- 1	815942	• BRACKET ASM				4	
- 2	811426	• SCREW, MACH-PAN HD 6-32 X 3/8 IN. LG				8	ATT PT
- 3	811742	• SUPPORT				2	
- 4	5356580	• SCREW, MACH-BIND HD 4-40 X 1/2 LG				2	ATT PT
- 5	815039	• WASHER, FL-NO 4 X 1/8 ID X 1/4 OD				2	ATT PT
- 6	5373223	• NUT, PLAIN, HEX- 4-40 X 0.250 FL W				2	ATT PT
- 7	811426	• SCREW, MACH-PAN HD 6-32 X 3/8 IN. LG				2	ATT PT
- 8	2129550	• WASHER, FLAT- 5/16 OD 5/32 ID 1/32 THK				2	ATT PT
- 9	811481	• SCREW, MACH- 6-32 X 1/4 LG				48	
- 10	811476	• TERMINAL BLOCK, BUS TO BUS				4	
- 11	38391	• SCREW MACHINE, FIL HD				8	ATT PT
- 12	5364057	• CROSSOVER ASM				1	
- 13	5364059	• CROSSOVER ASM				1	
- 14	5364058	• VERT BUS ASM				1	
- 15	5428142	• BUS AND CROSSOVER ASSEMBLY, VERTICAL				1	
- 16	5357088	• CABLE ASM-THERMAL SEE FIG. 79-11, -33A AND -54 FOR COMPONENT PARTS				1	
- 19	5428339	• THERMAL SWITCH ASSEMBLY				2	
- 19A	734483	• SCREW, PAN HD- 6-32 X 0.380 LG				2	ATT PT
- 20	811507	• BUS ASSEMBLY, HORIZONTAL				1	
- 21	811422	• SCREW, HEX H- 8-32 X 0.625 LG				4	ATT PT
- 22	815151	• SCREW-MACH NO. 8-32 X .2				24	
- 23	811474	• TERMINAL BLOCK ASSEMBLY				1	
- 24	327922	• CLAMP, CABLE-.625 DIAMETER				2	
- 24A	32042	• SCREW, MACH BIND. HD 10-32 X 3/8 LG.				2	ATT PT
- 24B	5440638	• CABLE ASM-TB GATE E				1	
- 24B	5440636	• CABLE ASM-TB GATE E				1	
- 24C	320451	SEE FIG. 79-22A AND -106 FOR COMPONENT PARTS					
- 24D	5528	• TERMINAL BOARD- 10 DBL SCREW TERMINALS				1	
- 24E	510186	• SCREW, MACH BIND HD 8-32 X .625 LG				4	ATT PT
- 24F	5462020	• INSULATOR, STRIP				1	
- 24G	34512	• BRACKET, TB MOUNTING				1	
- 25	811482	• SCREW, BIND. HD 8-32 X .375 LG				4	ATT PT
- 26	813802	• CROSSOVER ASSEMBLY, VOLTAGE				20	
- 27	813801	• COVER				2	
- 28	811484	• HOUSING				2	
- 29	813179	• CONTACT ASSEMBLY				4	
- 30	811417	• CLAMP-BOARD				AR	
- 30A	811427	• SCREW, HEX SOCKET H- 6-32 X 1/2 LG				AR	ATT PT
- 31	811869	• STRAP, CABLE				AR	
- 32	760303	• COVER ASSEMBLY-CARD				AR	
- 33	811879	• CATCH-PULL				1	
- 34	811878	• SPACER-HINGE				1	
- 35	811868	• BACKING, FOAM				12	
- 36	211442	• COVER-CARD				12	
- 37	811881	• SEAL				AR	
- 38	55726	• RETAINER ASSEMBLY				AR	
- 39	811855	• SCREW, MACH-BIND HD 6-32 X .188 LG				AR	ATT PT
- 40	811854	• BRACKET-HINGE				AR	
- 41	734483	• BRACKET-HINGE				AR	
- 42	5357781	• SCREW, PAN HD- 6-32 X 0.380 LG				AR	ATT PT
- 42A	5357780	• BOARD ASM-01E-A1					
- 43	5357783	• BOARD ASSEMBLY-CUSTOMIZED				1	
- 43A	5357782	• BOARD ASM-01E-A2					
- 44	5357781	• BOARD ASSEMBLY-CUSTOMIZED				1	
- 44A	5357780	• BOARD ASM-01E A3					
- 45	5357783	• BOARD ASSEMBLY-CUSTOMIZED				1	
- 45A	5357782	• BOARD ASM-01E-A4					
- 46	5357789	• BOARD ASSEMBLY-CUSTOMIZED				1	
- 46A	5357788	• BOARD ASM-01E-B1					
- 47	5357791	• BOARD ASSEMBLY-CUSTOMIZED				1	
- 47A	5357790	• BOARD ASM-01E-B2					
- 48	5357789	• BOARD ASSEMBLY-CUSTOMIZED				1	
- 48A	5357788	• BOARD ASM-01E-B3					
- 49	5357791	• BOARD ASSEMBLY-CUSTOMIZED				1	
- 49A	5357790	• BOARD ASM-01E-B4					
- 50	811066	• BOARD ASSEMBLY-CUSTOMIZED				1	
- 51	5357799	• BOARD, DUMMY				1	
- 51A	5357798	• BOARD ASM-01E-C2					
		• BOARD ASSEMBLY-CUSTOMIZED				1	

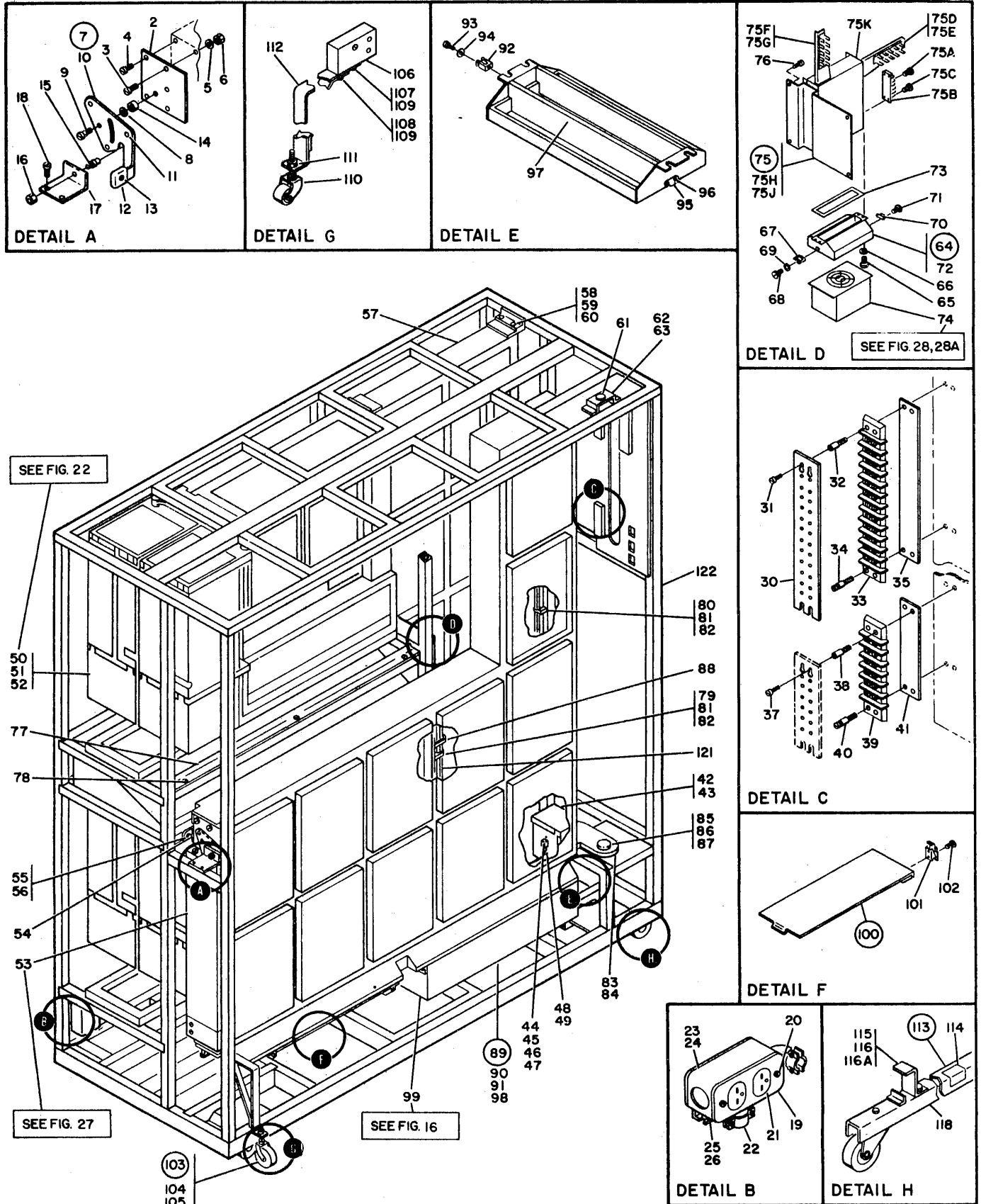


FIGURE 21. 64K, 128K AND 256K CORE STORAGE ASSEMBLIES. SEE LIST 21.

LIST AND INDEX NUMBER	PART NUMBER	DESCRIPTION				UNITS PER ASM.	USABLE ON CODE
		1	2	3	4		
		64K, 128K AND 256K CORE STORAGE ASSEMBLIES					
21 -	5363839 NP	CORE STORAGE ASSEMBLY-64K					
-	5363840 NP	CORE STORAGE ASSEMBLY-128K					
-	5363845 NP	CORE STORAGE ASSEMBLY-256K					
		SEE FIG. 21 FOR ILLUSTRATION					
- 2	5353280	. PLATE, STRIKER				1	
- 3	332620	. SCREW, MACH-BIND HD 10-32 X 1/2 LG				3	
- 4	507796	. SCREW, MACH-BIND HD 10-32 X 1 LG				1	
- 5	9092	. WASHER-LOCK, SPLIT RING, .194 ID .3370D				4	
- 6	11598	. NUT, PLAIN-HEX 10-32 X 3/8 FL W				4	
- 7	5353282	. HANDLE ASSEMBLY, GATE LATCH, RH				1	
- 8	8447	. SHIM				AR	
- 9	5403812	. SCREW, SHOULDER- 10-32 X 3/8 THD				2	
- 10	5353028	. . HANDLE-GATE LATCH				1	
- 11	5353337	. . SCREW-GATE HANDLE CPU- 70				3	
- 12	5353336	. . KNOB-LATCH				1	
- 13	119	. . SCREW, MACH-FL CSK HD 8-32 X 1/2 LG				1	
- 14	5353277	. LINK, RIGID				1	
- 15	5353339	. STUD-GATE LATCH				1	
- 16	24107	. NUT, PLAIN, HEX- 3/8 X 9/16 FL W				1	
- 17	5393067	. BRACKET				1	
- 18	5372858	. SCREW, HEX HD 10-32 X .50 LG				2	
- 19	206421	. COVER, CONVENIENCE OUTLET BOX				1	
- 20	53287	. SCREW, MACH-OVAL HD 6-32 X 3/4 LG				1	
- 21	418835	. OUTLET-CONVENIENCE, 220V				1	
- 21	5213803	. OUTLET, CONVENIENCE- 125V				1	
- 22	151598	. CLAMP-CABLE				1	
- 23	194355	. BOX-OUTLET				1	
- 24	34512	. SCREW, BIND, HD 8-32 X .375 LG				4	
- 25	5397869	. BRACKET				1	
- 26	32042	. SCREW, MACH BIND. HD 10-32 X 3/8 LG.				2	
- 30	187855	. SHIELD, BLOCK, 2 IN. X .062 X 7 3/4 LONG				2	
- 31	210984	. SCREW, RD HD MACH-6-32 X .250 LG				2	
- 32	210985	. STUD, EXT-INT 6-32 EXT 8-32 X 0.900 LG OA				2	
- 33	81898	. BLOCK, 12 DBL SCREW TERMINALS				2	
- 34	210986	. STUD-SHIELD MOUNTING				6	
- 35	510638	. MARKER STRIP				2	
- 37	210984	. SCREW, RD HD MACH-6-32 X .250 LG				1	
- 38	210985	. STUD, EXT-INT 6-32 EXT 8-32 X 0.900 LG OA				1	
- 39	317131	. TERMINAL BOARD- 6 DBL SCREW TERMINALS				1	
- 40	210986	. STUD-SHIELD MOUNTING				1	
- 41	322266	. MARKER STRIP- 6 POS NOS. 1 THRU 6				1	
- 42	5407507	. COVER-SAFETY CONNECTOR				1	
- 43	5350012	. SCREW, THD FORMING HEX WSR HD 8-32 X .25				2	
- 44	5353853	. HOUSING				1	
- 45	322551	. SCREW, MACH-BIND HD 6-32X3/4 LG				2	
- 46	257986	. WASHER, FLAT NO. 6				2	
- 47	6364	. WASHER, LOCK-SPLIT NO. 6 X 1/4 OD				2	
- 48	5368354	. BRACKET-CONNECTOR MTG				1	
- 49	5319854	. SCREW, THD CUTTING-HEX HD 8-32 X 0.375 LG				4	
- 50	2500610	. MEMORY ASSEMBLY- 64K				2	
- 50	2500610	. MEMORY ASSEMBLY- 128K				4	
- 50	2500610	. MEMORY ASSEMBLY- 256K				8	
		SEE FIG. 22 FOR DETAIL BREAKDOWN					
- 51	38688	. SCREW-SUPPORT & TRIM MOUNTING .750 LONG				8	
- 52	6935	. WASHER, LOCK-SPLIT 1/4 X 0.493 OD				8	
- 53	5400750	. FINAL ASSEMBLY, CROS				1	
- 53	5400770	. FINAL ASSEMBLY, ROS				1	
		SEE FIG. 27 FOR DETAIL BREAKDOWN					
- 54	5393123	. SPACER, BUMPER				2	
- 55	5353107	. BUMPER, GATE				1	
- 56	438579	. SCREW, MACH-FIL H 8-32 X 1-1/8 LG				2	
- 57	5373047	. GATE				1	
- 58	5319888	. SCREW, SELF TAPPING, 10-32 X .625 LONG				8	
- 59	47242	. WASHER, FL-NO. 12 X 1/2 OD X 0.062 THK				8	
- 60	9092	. WASHER-LOCK, SPLIT RING, .194 ID .3370D				8	
- 61	5372795	. PIN, HINGE				1	
- 62	5820770	. PLATE, SADDLE				1	
- 63	58207	. SCREW, MACH-UNDRCT BIND HD 8-32 X 1/4 LG				2	
- 64	5357054	. HEADER ASSEMBLY-IBD				1	
- 65	34512	. SCREW, BIND, HD 8-32 X .375 LG				4	
- 66	22478	. WASHER, FL- 0.170 ID 0.375 OD 0.32 THK				4	
- 67	472168	. . CLAMP-CABLE				1	
- 68	112628	. . SCREW, THREAD FORMING, BIND HD, 3/8 IN. LG				1	
- 69	338169	. . WASHER, LOCK-EXT TEETH NO. 4 X .260 OD				1	

LIST AND INDEX NUMBER	PART NUMBER	DESCRIPTION	UNITS PER ASM.	USABLE ON CODE
21 - 70	5349887	• • STRIKE-FAN HOUSING	1	
- 71	5357136	• • SCREW,PAN HD-SELF TAP 4-40 X .187 LG ATT PT	2	
- 72	5357056	• • HEADER,SINGLE BOARD-GATE	1	
- 73	349736	• SEAL	1	
- 74	5740086	• 1 FAN, 60 HZ COOLING UNIT	1	
- 74	5740087	SEE FIG. 28 FOR DETAIL BREAKDOWN • COOLING ASSEMBLY,1 FAN- 50 HZ SEE FIG. 28A FOR DETAIL BREAKDOWN	1	
- 75	5443186	• GATE AND RACEWAY ASSEMBLY	1	
- 75A	811481	• • SCREW,MACH- 6-32 X 1/4 LG	24	
- 75B	811474	• • TERMINAL BLOCK ASSEMBLY	1	
- 75C	811422	• • SCREW,HEX H- 8-32 X 0.625 LG ATT PT	4	
- 75D	5443185	• • RACEWAY ASSEMBLY,HORIZONTAL	1	
- 75E	381741	• • SCREW,THREAD FORM-PAN HD 8-32 X 3/8 LG ATT PT	2	
- 75F	5443184	• • RACEWAY ASSEMBLY,VERTICAL	1	
- 75G	381741	• • SCREW,THREAD FORM-PAN HD 8-32 X 3/8 LG ATT PT	2	
- 75H	5443180	• • BRACKET,GATE SUPPORT	1	
- 75J	731629	• • SCREW,SELF TAPPING- 10-32 X 3/8 LG ATT PT	4	
- 75K	5443181	• • GATE- 2 BOARD HIGH	1	
- 76	332620	• SCREW,MACH-BIND HD 10-32 X 1/2 LG	4	
- 77	5421481	• BAFFLE,AIR	1	
- 78	731626	• SCREW, PAN HEAD, 6-32 X .25 LONG ATT PT	3	
- 79	349902	• CLIP	2	
- 80	2114110	• CLIP	2	
- 81	2114111	• CRADLE,CABLE	4	
- 82	25627	• SCREW-BD. HD 8-32 X .500 LG ATT PT	4	
- 83	236570	• CLIP	1	
- 84	5372795	• PIN,HINGE	1	
- 85	5353339	• STUD-GATE LATCH	1	
- 86	598700	• WASHER,FL- 0.780 ID 1.620 OD 1/32 THK	1	
- 87	24107	• NUT,PLAIN,HEX- 3/8 X 9/16 FL W	1	
- 88	556450	• CLAMP-ADJUSTABLE CABLE	2	
- 89	5357034	• HEADER ASSEMBLY	1	
- 89	5357036	• HEADER ASSEMBLY	1	
- 90	34512	• SCREW,BIND.HD 8-32 X .375 LG ATT PT	8	
- 91	22478	• WASHER,FL- 0.170 ID 0.375 OD 0.32 THK ATT PT	8	
- 92	472168	• • CLAMP-CABLE	1	
- 93	112628	• • SCREW,THREAD FORMING,BIND HD,3/8 IN. LG ATT PT	1	
- 94	338169	• • WASHER,LOCK-EXT TEETH NO. 4 X .260 OD ATT PT	1	
- 95	5349887	• • STRIKE-FAN HOUSING USED ON ASM 5357034	1	
- 95	5349887	• • STRIKE-FAN HOUSING USED ON ASM 5357036	2	
- 96	5357136	• • SCREW,PAN HD-SELF TAP 4-40 X .187 LG ATT PT	4	
- 97	5357038	• • HEADER USED ON ASM 5357034	1	
- 97	5357040	• • HEADER 5 BD USED ON ASM 5357036	1	
- 98	349736	• SEAL	AR	
- 99	5357001	• COOLING UNIT ASSEMBLY- 60 HZ	2	
- 99	5357002	• COOLING UNIT ASSEMBLY- 50 HZ SEE FIG. 16 FOR DETAIL BREAKDOWN	2	
-100	5421479	• PLATE ASSEMBLY,BLOWER	1	
-101	5349888	• • LATCH	1	
-102	5357136	• • SCREW,PAN HD-SELF TAP 4-40 X .187 LG ATT PT	2	
-103	5421463	• CASTER ASSEMBLY,OUTRIGGER	1	
-104	234341	• SCREW,ASMD WASHER-FIL HD 1/4-20 X 5/8 LG ATT PT	2	
-105	2181002	• SCREW,THREAD FORMING-8-32 X 3/4 LG ATT PT	1	
-106	5443212	• • BLOCK	1	
-107	234341	• • SCREW,ASMD WASHER-FIL HD 1/4-20 X 5/8 LG ATT PT	1	
-108	234344	• • SCREW,ASMD WASHER-FIL HD 1/4-20 X 1 LG ATT PT	1	
-109	3550	• • WASHER,FL- 1/4 X 9/16 OD X 0.050 THK ATT PT	2	
-110	587562	• • CASTER,SWIVEL- 2 IN. WHL 1/2-13 THD STUD	1	
-111	186950	• • NUT,PLAIN,HEX- 1/2-13 X 3/4 FL W ATT PT	2	
-112	5421462	• • BRACKET,OUTRIGGER	1	
-113	5469510	• OUTRIGGER ASSEMBLY	2	
-114	5474701	• • LABEL	1	
-115	5469509	• • BRACKET	2	
-116	180072	• • SCREW,CAP-SLOTTED HEX HD 5/16-18X0.875 LG ATT PT	4	
-116A	257983	• • WASHER,LOCK-APLIT 5/16 ATT PT	4	
-117	5469508	• • CHANNEL	1	
-118	5477977	• • CASTER	2	
-121	520663	• JUMPER ASSEMBLY SEE FIG. 79-42A FOR COMPONENT PARTS	AR	
-121	813760	• CABLE ASSEMBLY-BULK	AR	
-121	5364080	• CABLE ASM-DC & THERMAL LOGIC FRAME NO.1	AR	

FOR PARTS
NOT SHOWN
SEE FIG. 21

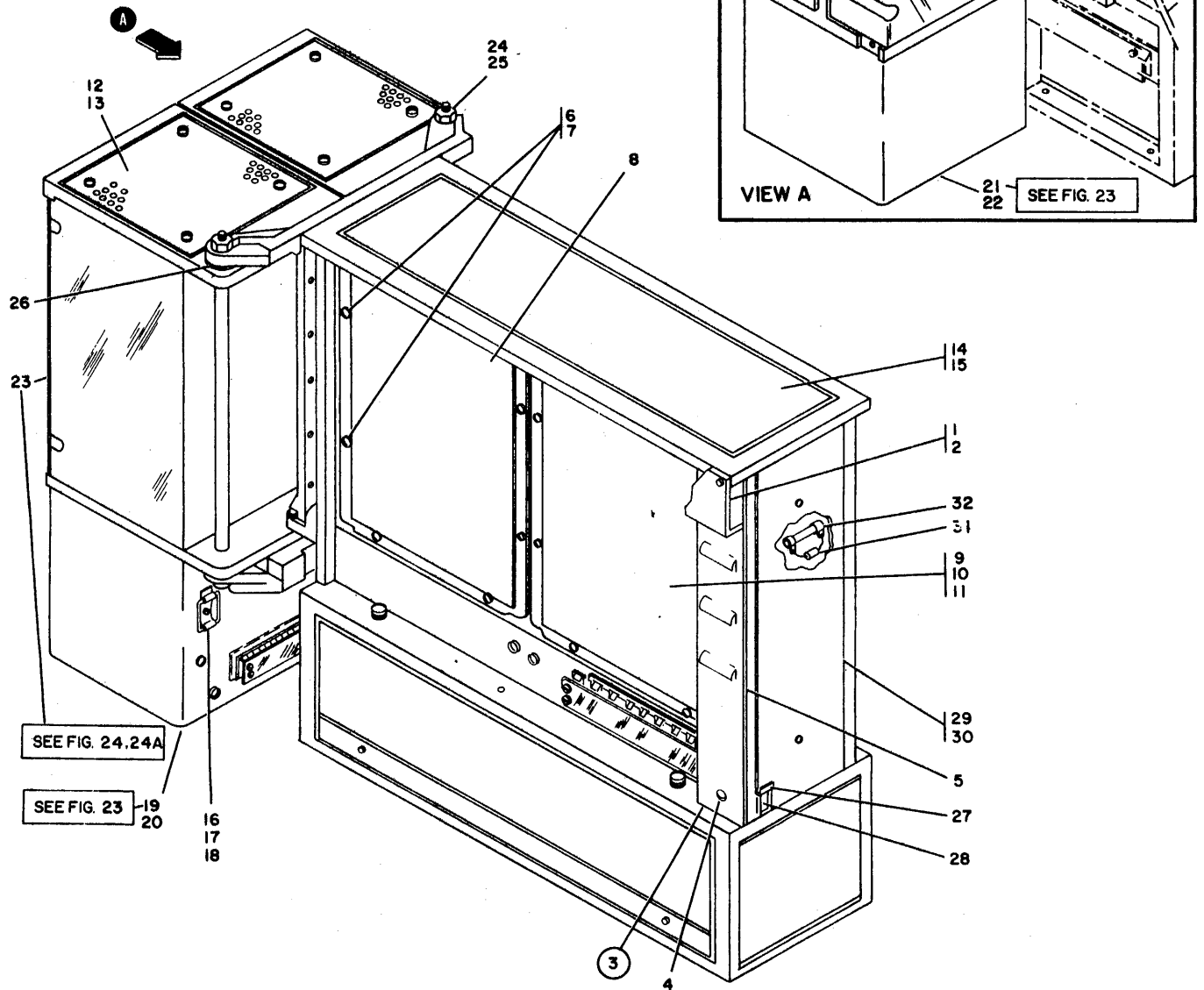


FIGURE 22. MEMORY ASSEMBLY. SHEET 1 OF 2. INDEX NOS. 1-32. SEE LIST 22.

FOR PARTS
NOT SHOWN
SEE FIG. 21, 65

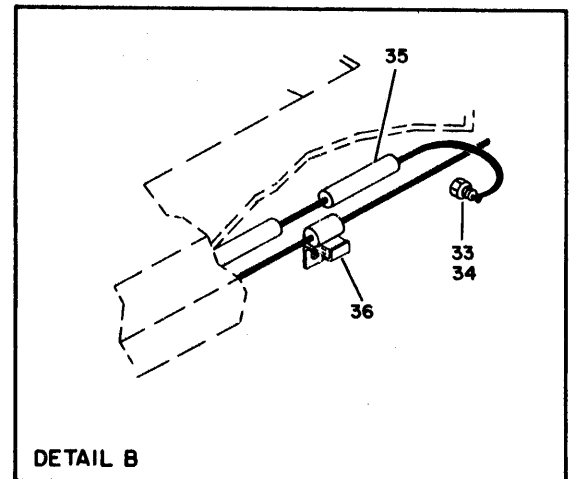
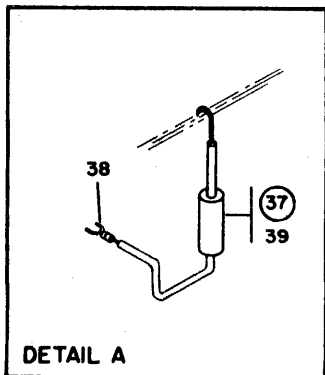
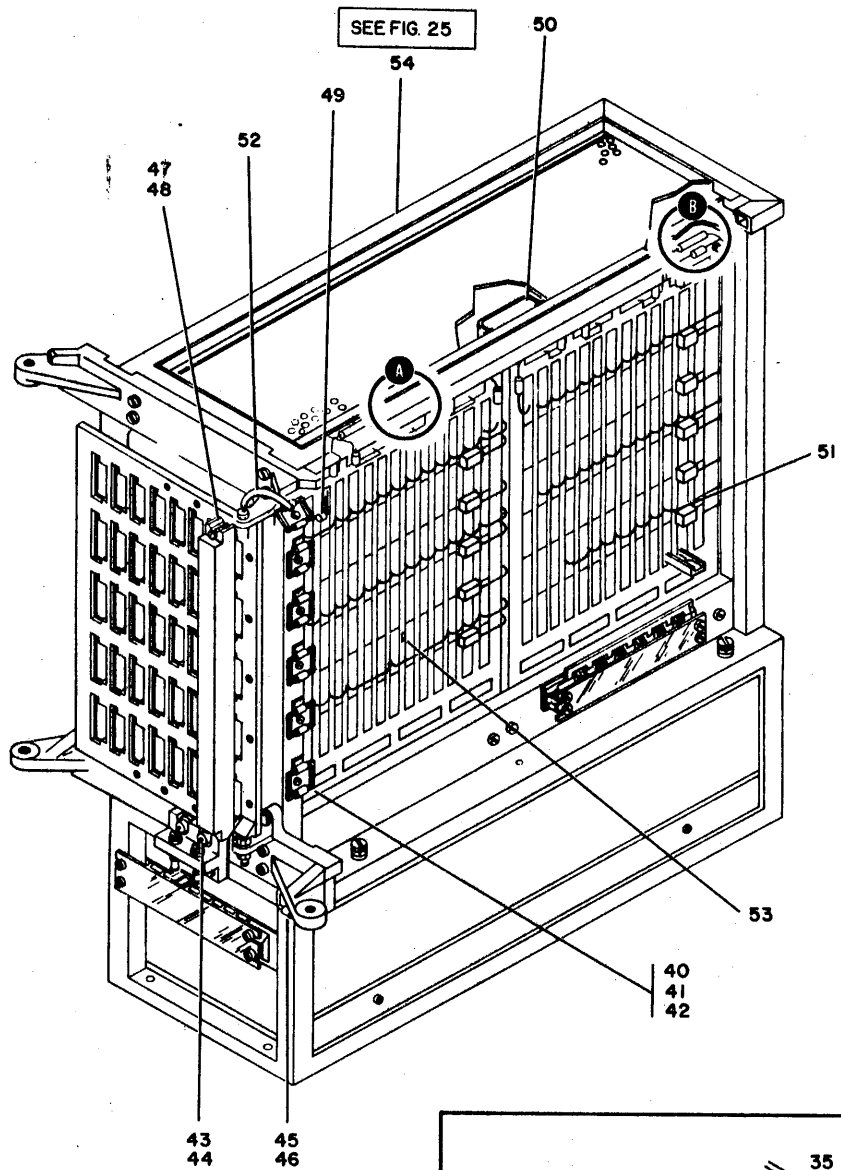


FIGURE 22. MEMORY ASSEMBLY. SHEET 2 OF 2. INDEX NOS. 33-54. SEE LIST 22.

FOR PARTS
NOT SHOWN
SEE FIG. 22
SHEET 1

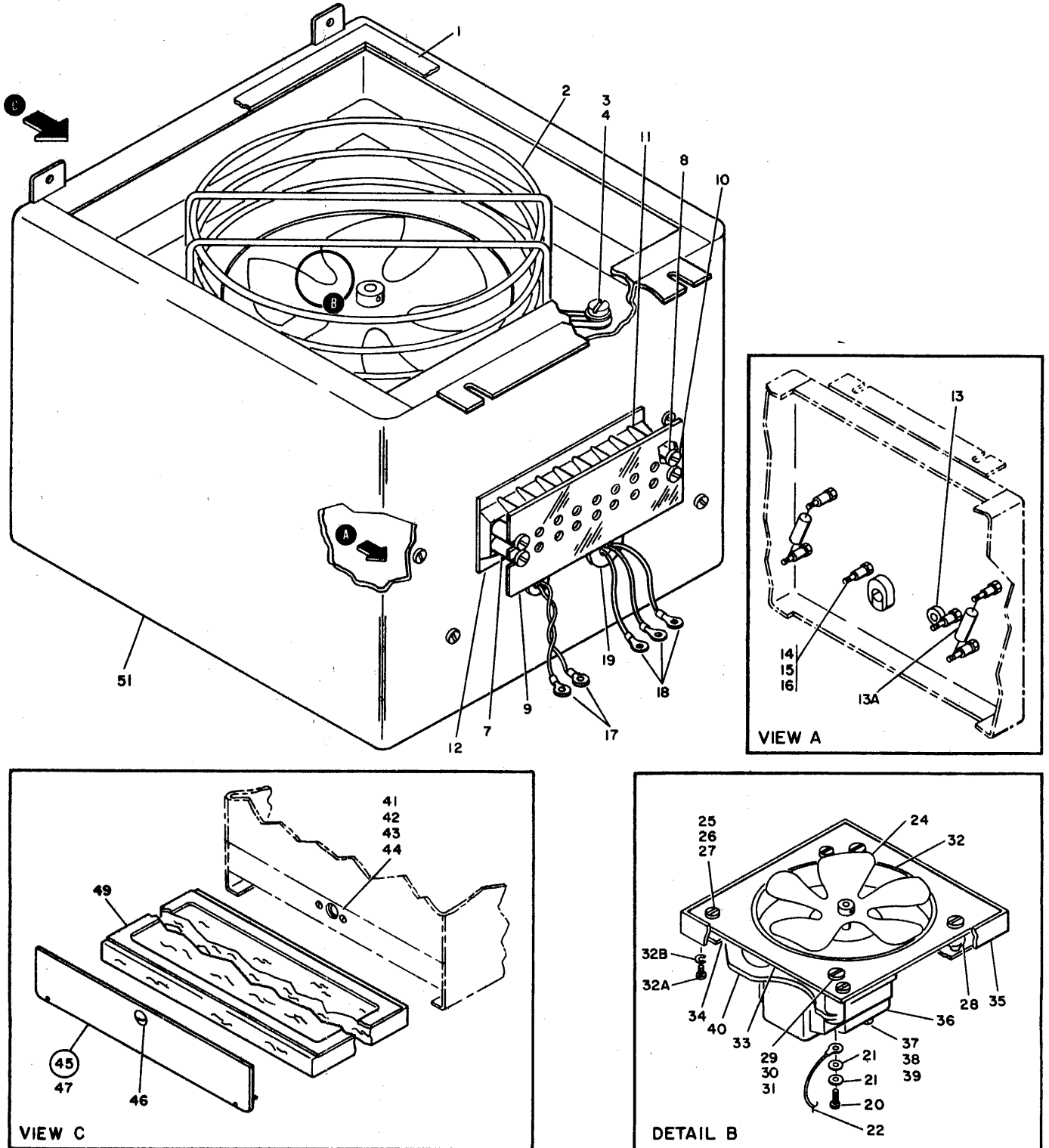


FIGURE 23. CORE STORAGE HOUSING ASSEMBLY. SEE LIST 23.

LIST AND INDEX NUMBER	PART NUMBER	DESCRIPTION				UNITS PER ASM.	USABLE ON CODE
		1	2	3	4		
		CORE STORAGE HOUSING ASSEMBLY					
23 -		CODE A USED ON ASM 5355536 CODE B USED ON ASM 5355558					
-	5355536	HOUSING ASSEMBLY, CORE STORAGE SEE FIG. 22-19 FOR NEXT HIGHER ASSEMBLY AND FIG. 23 FOR ILLUSTRATION				REF	A
-	5355558	HOUSING ASSEMBLY, CORE STORAGE SEE FIG. 22-21 FOR NEXT HIGHER ASSEMBLY AND FIG. 23 FOR ILLUSTRATION				REF	B
- 1	599303	• SEAL-URETHANE FOAM 1/2 W X 0.120 THK				AR	
- 2	5369696	• GUARD				1	
- 3	10170	• SCREW, MACH-BIND HD 6-32 X 1/4 LG				ATT PT	
- 4	6364	• WASHER, LOCK-SPLIT NO. 6 X 1/4 OD				ATT PT	
- 5	10170	• SCREW, MACH-BIND HD 6-32 X 1/4 LG				2	
- 6	6364	• WASHER, LOCK-SPLIT NO. 6 X 1/4 OD				2	
- 7	210884	• STUD-SHIELD MTG, NO. 6-32				3	A
- 8	210883	• STUD-SHIELD MTG, TAPPED, NO. 6-32				1	A
- 9	187479	• SHIELD TERMINAL BLOCK				1	A
- 10	10170	• SCREW, MACH-BIND HD 6-32 X 1/4 LG				1	A
- 11	317232	• TERMINAL BOARD- 6 DBL SCREW TERMINALS				1	A
- 12	589715	• STRIP-MARKER				1	A
- 13	1077722	• GROMMET, RUB-FOR 5/16 HOLE X 1/16 PNL				1	A
- 13A	5213444	• THERMISTOR				2	A
- 14	323925	• TERMINAL				6	
- 15	6364	• WASHER, LOCK-SPLIT NO. 6 X 1/4 OD				6	
- 16	257187	• NUT, PLAIN, HEX- 6-32 X 3/8 FL W				6	
- 17	334921	• TERMINAL-RING, 18-22 AWG, #6 HOLE, INS				2	A
- 18	5369641	• CABLE ASSEMBLY, POWER, ELECTRICAL SEE FIG. 79-21, -42 AND -104 FOR COMPONENT PARTS				AR	
- 19	107611	• BUSHING				1	
- 20	186759	• SCREW, MACH-BIND HD 8-32 X 5/16 LG				1	
- 21	55901	• WASHER, LOCK-EXT TEETH NO. 8 X 0.381 OD				2	
- 22	5369708	• JUMPER ASSEMBLY SEE FIG. 79-42 FOR COMPONENT PARTS				AR	
- 23	55901	WASHER, LOCK-EXT TEETH NO. 8 X 0.381 OD				ATT PT	
- 24	5357066	• BLADE				1	
- 25	5369704	• SCREW, CAP-SLOT HD 6-32 X 15/16 LG				4	
- 26	5369705	• WASHER, FL-NO. 1 X 1/2 OD X 0.025 THK				4	
- 27	344015	• NUT, SELF LKG, HEX- 6-32 X 5/16 FL W				4	
- 28	5369700	• SHOCK MOUNT				4	
- 29	5369706	• SCREW, MACH-BIND HD 10-32 X 3/8 LG				ATT PT	
- 30	2101887	• WASHER, FL-NO. 10 X 7/16 OD X 1/32 THK				ATT PT	
- 31	5369707	• WASHER, LOCK-SPLIT 0.194 ID X 0.050 THK				ATT PT	
- 32	5369702	• SNUBBER-RUBBER, 4.5 DIA				1	
- 32A	10170	• SCREW, MACH-BIND HD 6-32 X 1/4 LG				2	
- 32B	6364	• WASHER, LOCK-SPLIT NO. 6 X 1/4 OD				2	
- 33	5369697	• SHROUD				1	
- 34	5369698	• PLATE, ADAPTER				1	
- 35	5369701	• SEAL, AIR				1	
- 36	5357067	• MOTOR 208V/230V 60CY 220V 50CY				1	
- 37	438571	• SCREW, BINDING HEAD, 6-32 NC X 1-3/4 LG.				2	
- 38	257986	• WASHER, FLAT NO. 6				2	
- 39	6364	• WASHER, LOCK-SPLIT NO. 6 X 1/4 OD				2	
- 40	5369699	• CASTING, MOTOR				1	
- 41	5355380	• RECEPTACLE				1	
- 42	52570	• SCREW, MACH-FL HD 2-56 X 1/4 LG				ATT PT	
- 43	37066	• WASHER, LOCK-SPLIT NO. 3 X 0.212 OD				ATT PT	
- 44	47987	• NUT, PLAIN, HEX- 2-56 X 3/16 FL W				ATT PT	
- 45	5355537	• SEAL ASSEMBLY				1	
- 46	5355378	• STUD-OVAL HD				1	
- 47	5355385	• SEAL-FILTER				1	
- 48	5355538	• FILTER ASSEMBLY				1	
- 51	5355393	• HOUSING				1	A
- 51	5355674	• HOUSING				1	B

FOR PARTS
NOT SHOWN
SEE FIG. 22
SHEET 1

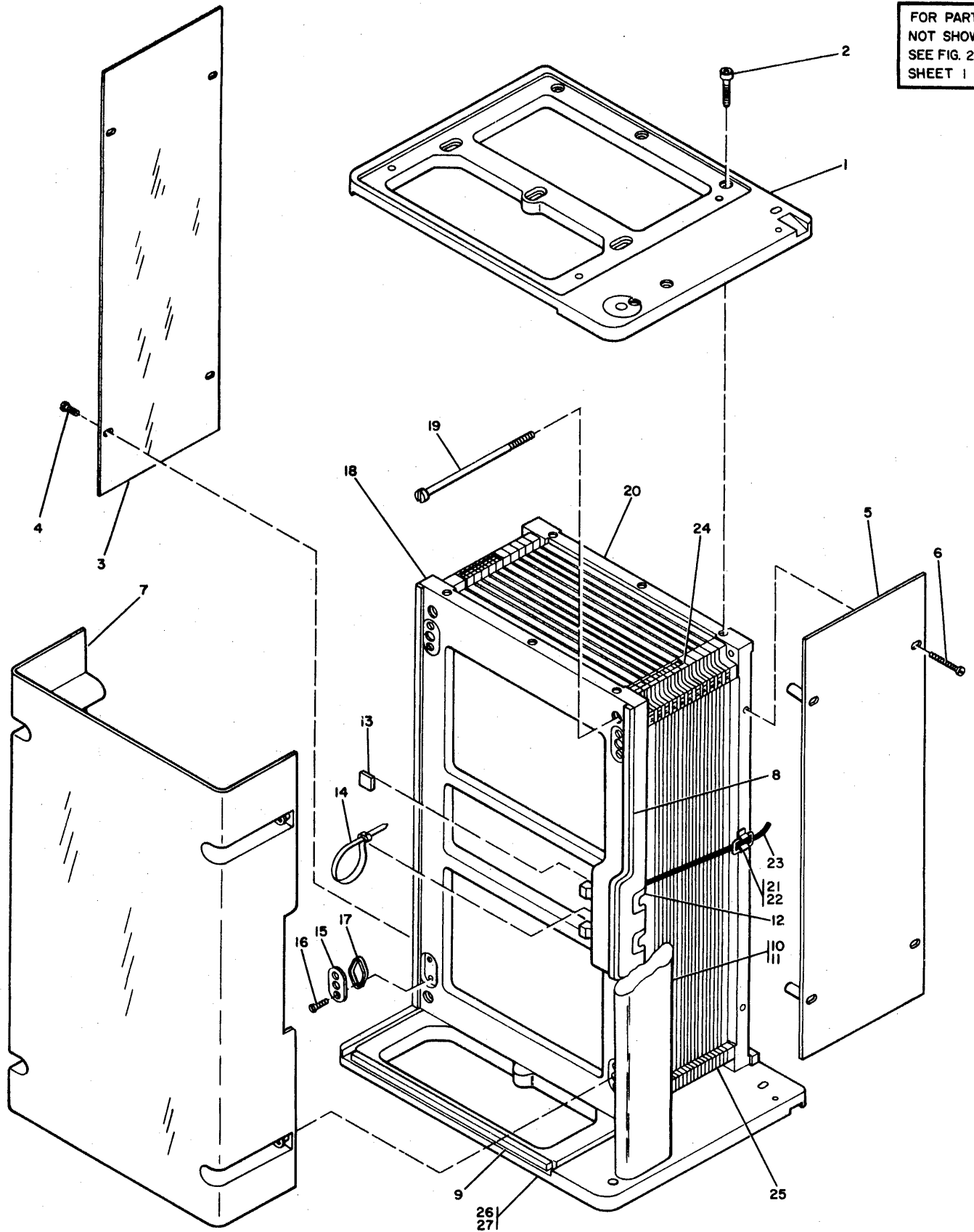


FIGURE 24. ARRAY ASSEMBLY. SEE LIST 24.

FOR PARTS
NOT SHOWN
SEE FIG. 22
SHEET 1

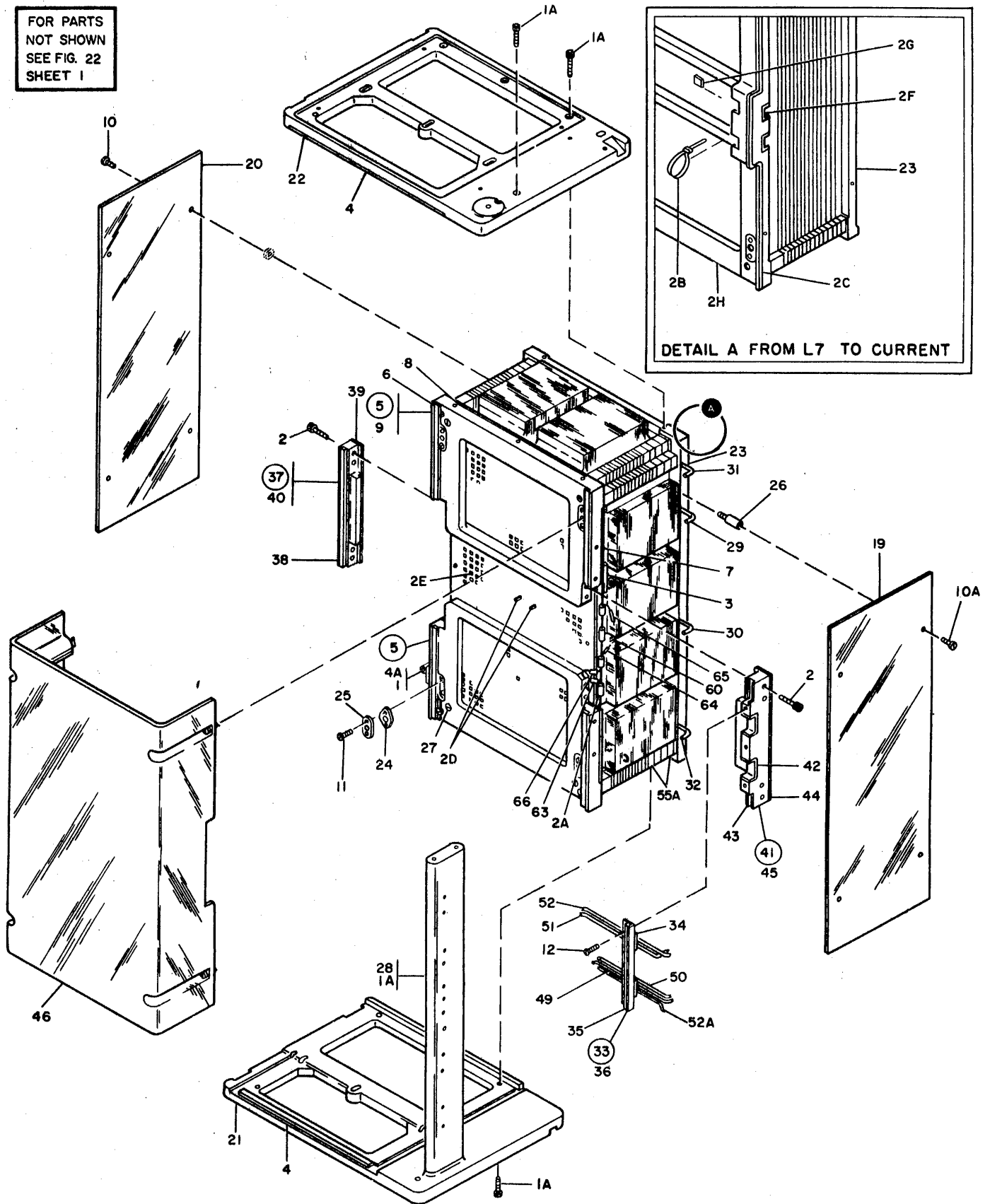


FIGURE 24A. 64K ARRAY ASSEMBLY. SEE LIST 24A.

LIST AND INDEX NUMBER	PART NUMBER	DESCRIPTION	UNITS PER ASM.	USABLE ON CODE
		64K ARRAY ASSEMBLY		
		CODE 1 USED ON ASM FROM D6 TO CURRENT		
		CODE 2 USED ON ASM PRIOR TO P6 SUFFIX		
		CODE 3 USED ON ASM FROM P6 TO CURRENT		
		CODE 4 USED ON ASM PRIOR TO L7 SUFFIX		
		CODE 5 USED ON ASM FROM L7 TO CURRENT		
		CODE 6 USED ON ASM PRIOR TO D8 SUFFIX		
		CODE 7 USED ON AMS FROM D8 TO CURRENT		
24A-	5355510	ARRAY ASSEMBLY-64K	REF	
		FOR NEXT HIGHER ASSEMBLY SEE FIG. 22-23		
		FOR ILLUSTRATION SEE FIG. 24A		
- 1	203	. SCREW,MACH-FIL H 2-56 X 1/4 LG	12	
- 1A	101807	. SCREW,CAP,SOC HD- 8-32 X 5/8 LG	16	
- 2	251820	. SCREW,CAP,SOC HD- 6-32 X 1/2 LG	8	
- 2A	321271	. RESISTOR,FXD,COMP- 10 OHMS P/M 5% 1/2W	2	
- 2B	524519	. CABLE TIE,SELF CLINCHING	2	5
- 2C	599303	. SEAL-URETHANE FOAM 1/2W X 0.120 THK	AR	5
- 2D	811565	. CONNECTOR-SLIP-ON	2	
- 2E	813197	. HOUSING-TERMINAL	2	1
- 2F	821612	. SEAL,MAIN FILTER	2	5
- 2G	838480	. SEAL,PLENUM	2	5
- 2H	2500602	. SUPPORT-M779 ARRAY	1	5
- 3	9231749	. SLEEVE,INSULATION	6	
- 4	5313928	. SEAL,RESISTOR SHIELD	AR	
- 4A	5347640	. CLAMP-CABLE	12	1
- 5	5347759	. SUPPORT ASSEMBLY	2	4
- 6	5311306	. . SEAL,SURGE TANK	24	
- 7	5347755	. . INSULATOR-SUPPORT ARRAY	2	
- 8	5347756	. . INSULATOR-SUPPORT ARRAY	1	
- 9	5355372	. . SUPPORT-ARRAY	1	
- 10	5347761	. SCREW,MACH-BIND HD 6-32UNC-2A X 0.312 LG	4	
- 10A	5347761	. SCREW,MACH-BIND HD 6-32UNC-2A X 0.312 LG	4	6
- 10A	322552	. SCREW,MACH-BIND HD 6-32 X 7/8 LG	4	7
- 11	5437762	. SCREW,MACH-FLAT HD 2-56UNC-2A 0.261 LG	8	
- 12	5347763	. SCREW,MACH-FLAT HD 4-40UNC-2A X 0.245 LG	3	
- 19	5355363	. COVER	1	6
- 19	2500606	. COVER,INNER	1	7
- 20	5355364	. COVER	1	
- 21	5355373	. PLATE-ARRAY	1	
- 22	5355374	. PLATE-ARRAY	1	
- 23	5355377	. SUPPORT	1	
- 24	5355380	. RECETPACLE	4	
- 25	5355381	. RETAINER-LATCH	4	
- 26	5355383	. SPACER-ARRAY	4	6
- 27	5355384	. SCREW,MACH- 8-32 X 3-3/4 LG	4	
- 28	5355386	. STIFFENER-ARRAY	1	
- 29	5355520	. CABLE ASSEMBLY	1	
- 30	5355321	. CABLE ASSEMBLY	1	
- 31	5355522	. CABLE ASSEMBLY	1	
- 32	5355523	. CABLE ASSEMBLY	1	
- 33	5355552	. CLAMP ASSEMBLY	1	4
- 34	317889	. . STRIP-PANEL SEALING	6	
- 35	5311306	. . SEAL,SURGE TANK	6	
- 36	5355382	. . CLAMP	1	
- 37	5355554	. BAR ASSEMBLY	1	4
- 38	5311306	. . SEAL,SURGE TANK	6	
- 39	5347754	. . INSULATOR-BAR ARRAY	1	
- 40	5355375	. . BAR-ARRAY	1	
- 41	5355555	. BAR ASSEMBLY	1	4
- 42	317889	. . STRIP-PANEL SEALING	24	
- 43	5311306	. . SEAL,SURGE TANK	24	
- 44	5347754	. . INSUALTOR-BAR ARRAY	1	
- 45	5355376	. . BAR-ARRAY	1	
- 46	5355556	. COVER ASSEMBLY	1	
- 49	5355574	. CABLE ASSEMBLY	2	
- 50	5355575	. CABLE ASSEMBLY	2	
- 51	5355576	SEE FIG. 79-28Q AND -101 FOR COMPONENT PARTS		
- 51	5369764	. CABLE ASSEMBLY	2	2
		. CABLE ASSEMBLY,TERM GATE-BUMP TO ARRAY	1	3
		SEE FIG. 79-28Q,-101 AND -105		
		FOR COMPONENT PARTS		
- 52	5355577	. CABLE ASSEMBLY	2	
- 52A	5355578	. CABLE ASSEMBLY	1	1
- 55A	5355599	. SPACER,ARRAY	4	

FOR PARTS
NOT SHOWN
SEE FIG. 22
SHEET 2

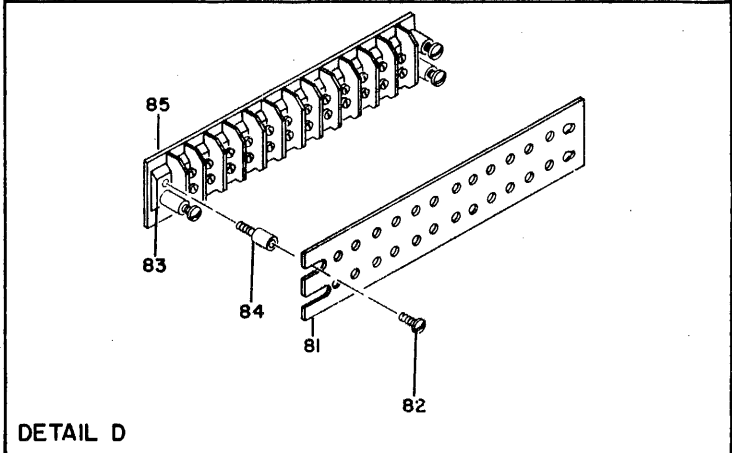
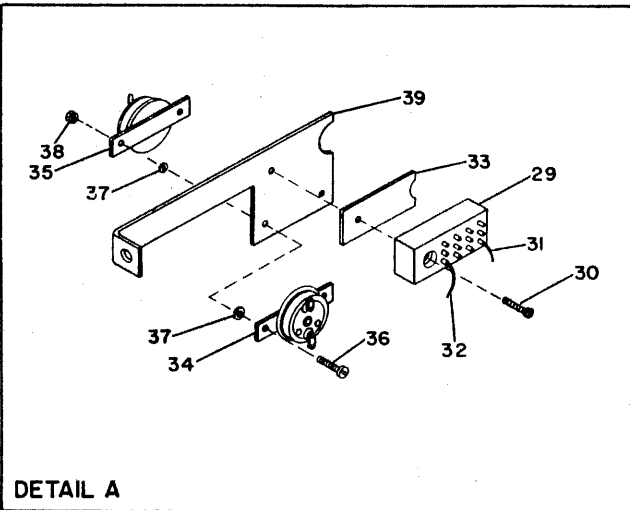
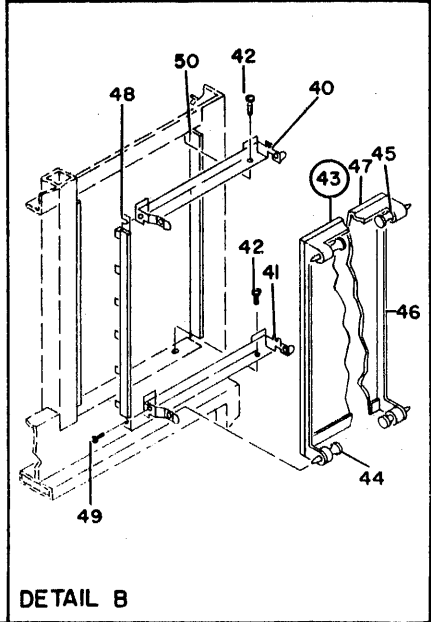
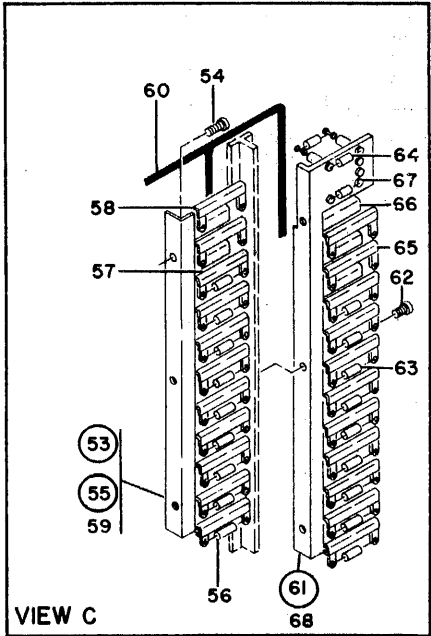
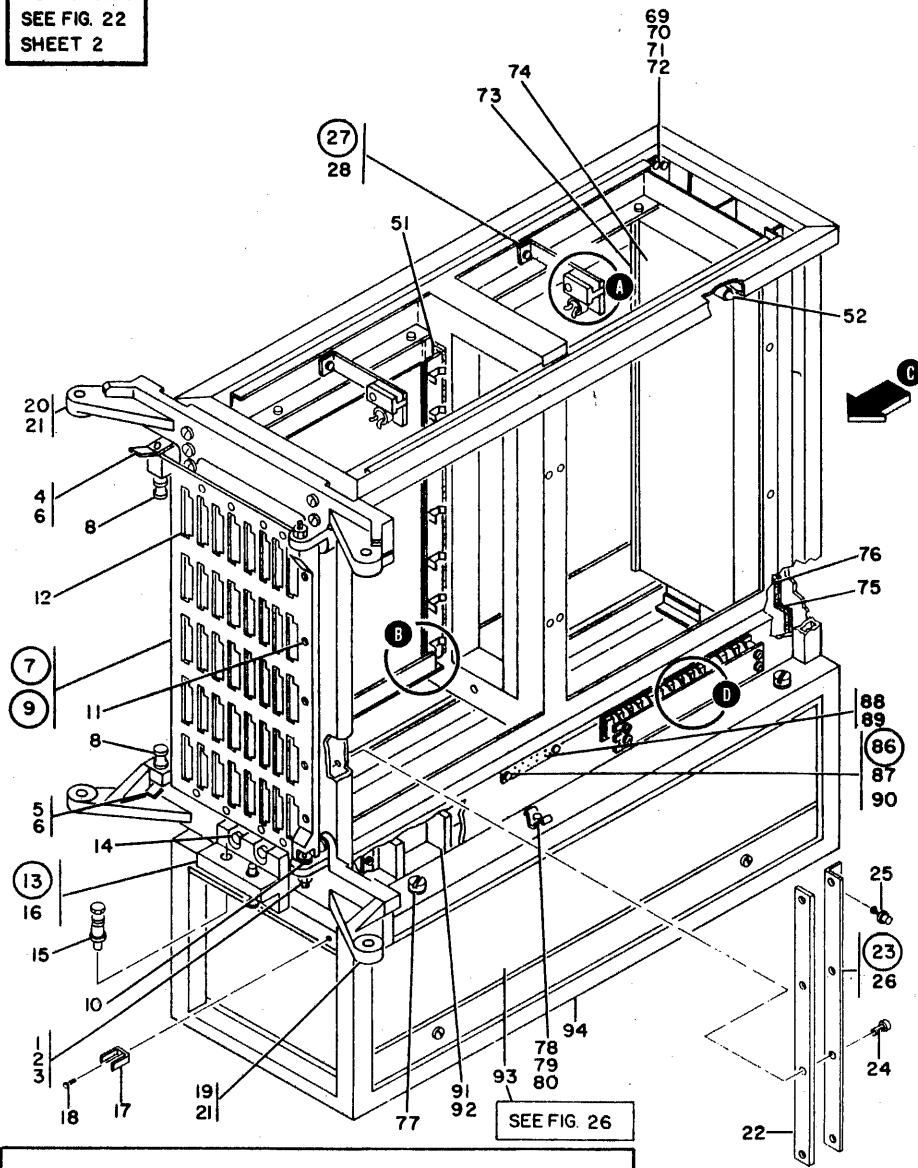


FIGURE 25. LOGIC FRAME ASSEMBLY. SEE LIST 25.

LIST AND INDEX NUMBER	PART NUMBER	DESCRIPTION	UNITS PER ASM.	USABLE ON CODE
		LOGIC FRAME ASSEMBLY		
25 -	5368339	FRAME ASSEMBLY, LOGIC SEE FIG. 22-54 FOR NEXT HIGHER ASSEMBLY AND FIG. 25 FOR ILLUSTRATION	REF	
- 1	5347539	• PIN-FRAME HINGE	2	
- 2	3960	• NUT, PLAIN, HEX- 1/4-20 X 7/16 FL W	2	ATT PT
- 3	27760	• WASHER, FL- 1/2 OD X 1/16 THK	2	ATT PT
- 4	5355388	• LATCH	1	
- 5	5355389	• LATCH	1	
- 6	5350012	• SCREW, THD FORMING HEX MSR HD 8-32 X .25	4	ATT PT
- 7	5355545	• BOARD ASSEMBLY, CONNECTOR	1	
- 8	760303	• CATCH-PULL	2	
- 9	5355367	• STIFFENER	1	
- 10	5347744	• . . . INSERT- 1/2 DIA	2	
- 11	5369654	• . . . INSERT	13	
- 12	5810946	• . . CONNECTOR BOARD	1	
- 13	5355585	• LATCH ASSEMBLY	1	
- 14	322550	• SCREW	4	ATT PT
- 15	760303	• CATCH-PULL	2	
- 16	5355371	• LATCH-ARRAY	1	
- 17	472168	• CLAMP-CABLE	1	
- 18	80651	• SCREW, THD CUTTING-PAN HD 6-32 X 0.375 LG	1	ATT PT
- 19	5355369	• HINGE	1	
- 20	5355370	• HINGE	1	
- 21	5319854	• SCREW, THD CUTTING-HEX HD 8-32 X 0.375 LG	12	ATT PT
- 22	5347673	• INSULATOR	1	
- 23	5347675	BUS ASSEMBLY	1	
- 24	507234	• SCREW, MACH-BIND HD 4-40 X 3/8 LG	4	ATT PT
- 25	5347670	• . . TERMINAL, STANDOFF	59	
- 26	5347677	• . . BUSS-GROUND	1	
- 27	5391393	• SWITCH ASSEMBLY, THERMAL	2	
- 28	5350006	• SCREW, SELF TAPPING, 6-32 X .250 LONG	2	ATT PT
- 29	317767	• . . TERMINAL BOARD ASM- 12 FEEDTHRU TERMINAL	1	
- 30	438549	• . . SCREW, MACH-BIND HD 4-40 X 7/16 LG	1	ATT PT
- 31	335239	• . . JUMPER ASM-BLK 3 IN. 20AWG 1 LUG	2	
- 32	354474	• . . JUMPER ASSEMBLY, THERMAL SWITCH	2	
- 33	317766	• . . INSULATOR-TERMINAL BLOCK	1	
- 34	5391385	• . . THERMOSTAT, N/C 125 DEG F	1	
- 35	5391340	• . . THERMOSTAT, N/C 112 DEG F	1	
- 36	507234	• . . SCREW, MACH-BIND HD 4-40 X 3/8 LG	2	ATT PT
- 37	129334	• . . WASHER	4	ATT PT
- 38	37913	• . . NUT-HEX 4-40 X .250 ID	2	ATT PT
- 39	5391392	• . . BRACKET, MOUNTING-THERMAL SWITCH	1	
- 40	811851	• BRACKET-HINGE-UPPER	2	
- 41	811850	• BRACKET-HINGE-LOWER	2	
- 42	5350006	• SCREW, SELF TAPPING, 6-32 X .250 LONG	8	ATT PT
- 43	811865	• COVER ASSEMBLY-BOARD	2	
- 44	760303	• CATCH-PULL	4	
- 45	811879	• . . SPACER-HINGE	4	
- 46	811864	• . . COVER	1	
- 47	811878	• . . BACKING, FOAM	1	
- 48	811895	• RETAINER ASSEMBLY, CABLE	4	
- 49	10170	• SCREW, MACH-BIND HD 6-32 X 1/4 LG	8	ATT PT
- 50	5368349	• SEAL-RESISTOR COLUMN	1	
- 51	216297	• SEAL, RUB STRIP- 11/16 W X 1/8 THK	AR	
- 52	801502	• CATCH-BULLET NOSE	2	
- 53	5391473	• RESISTOR ASSEMBLY	1	
- 54	5350006	• SCREW, SELF TAPPING, 6-32 X .250 LONG	3	
- 55	5368355	• . . RESISTOR ASSEMBLY-22 POSITION	1	
- 56	483358	• . . . CAPACITOR	18	
- 57	5347750	• . . . RESISTOR, FXD, WW-115 OHMS P/M 1% 20W	21	
- 58	5368396	• . . . RESISTOR, FIXED, WIREWOUND-110 OHMS	1	
- 59	5368340	• . . . BRACKET, RESISTOR	1	
- 60	5368591	• CABLE ASM-RESISTORS TO PNLs A1 & B1	1	
		SEE FIG. 79-28Q FOR COMPONENT PARTS		
- 61	5368393	• . . RESISTOR ASSEMBLY-22 POSITION	1	
- 62	5350006	• . . SCREW, SELF TAPPING, 6-32 X .250 LONG	3	ATT PT
- 63	483358	• . . . CAPACITOR	18	
- 64	595355	• . . . CAPACITOR-TANTALUM 3 MFD P 15% M 75% 75V	4	
- 65	5347750	• . . . RESISTOR, FXD, WW-115 OHMS P/M 1% 20W	21	
- 66	5368396	• . . . RESISTOR, FIXED, WIREWOUND-110 OHMS	1	
- 67	323925	• . . . TERMINAL	6	
- 68	5355350	• . . . BRACKET	1	
- 69	5355380	• RECEPTACLE	4	
- 70	47987	• NUT, PLAIN, HEX- 2-56 X 3/16 FL W	8	ATT PT

FOR PARTS
NOT SHOWN
SEE FIG. 25

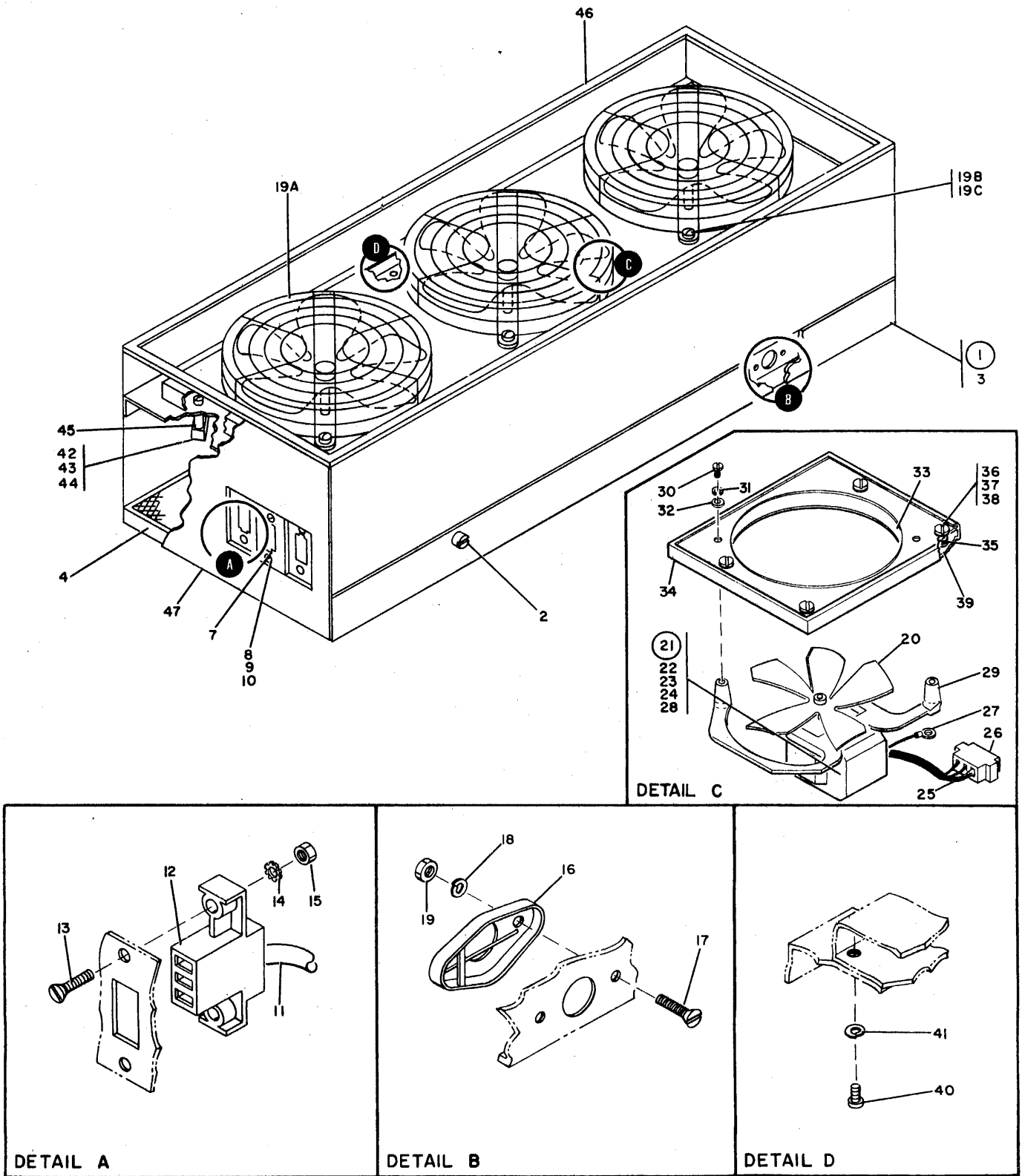


FIGURE 26. LOGIC COOLING HOUSING ASSEMBLY. SEE LIST 26.

LIST AND INDEX NUMBER	PART NUMBER	DESCRIPTION				UNITS PER ASM.	USABLE ON CODE
		1	2	3	4		
		LOGIC COOLING HOUSING ASSEMBLY					
26 -	5368326	HOUSING ASSEMBLY-LOGIC COOLING SEE FIG. 25-93 FOR NEXT HIGHER ASSEMBLY AND FIG. 26 FOR ILLUSTRATION				REF	
- 1	5368333	• RETAINER ASSEMBLY-FILTER				1	
- 2	5391434	• • STUD,TURNLOCK FASTENER				2	
- 3	5368332	• • RETAINER-FILTER				1	
- 4	5368328	• FILTER ASSEMBLY-LOGIC				1	
- 7	5353853	• HOUSING				1	
- 8	322065	• SCREW,MACH-BIND HD 6-32 X 5/8 LG				ATT PT	2
- 9	56722	• WASHER,LOCK-EXT TEETH NO. 6				ATT PT	2
- 10	257187	• NUT,PLAIN,HEX- 6-32 X 3/8 FL W				ATT PT	2
- 11	5355580	• CABLE ASSEMBLY-GATE COOLING				AR	
		SEE FIG. 79-20A,21,28,42A AND 49 FOR COMPONENT PARTS					
- 12	5353851	• HOUSING-CONNECTOR RECEPTACLE, 3 POS					2
- 13	322065	• SCREW,MACH-BIND HD 6-32 X 5/8 LG				ATT PT	4
- 14	56722	• WASHER,LOCK-EXT TEETH NO. 6				ATT PT	4
- 15	257187	• NUT,PLAIN,HEX- 6-32 X 3/8 FL W				ATT PT	4
- 16	5355380	• RECEPTACLE					2
- 17	52570	• SCREW,MACH-FL HD 2-56 X 1/4 LG				ATT PT	4
- 18	37066	• WASHER,LOCK-SPLIT NO. 3 X 0.212 OD				ATT PT	4
- 19	47987	• NUT,PLAIN,HEX- 2-56 X 3/16 FL W				ATT PT	4
- 19A	5369696	• GUARD					3
- 19B	186759	• SCREW,MACH-BIND HD 8-32 X 5/16 LG				ATT PT	6
- 19C	55901	• WASHER,LOCK-EXT TEETH NO. 8 X 0.381 OD				ATT PT	6
- 20	5357066	• BLADE					3
- 21	5357063	• MOTOR ASSEMBLY 208/230V 60CY 220V 50CY					3
- 22	438571	• SCREW, BINDING HEAD, 6-32 NC X 1-3/4 LG.				ATT PT	6
- 23	257986	• WASHER,FLAT NO. 6				ATT PT	6
- 24	6364	• WASHER,LOCK-SPLIT NO. 6 X 1/4 OD				ATT PT	6
- 25	5353854	• • CONTACT, MALE 16-20 WIRE					2
- 26	5353853	• • HOUSING					1
- 27	5357065	• • JUMPER ASSEMBLY,6.38IN-NO.18 GREEN					1
- 28	5357067	• • MOTOR 208V/230V 60CY 220V 50CY					1
- 29	5369699	• CASTING,MOTOR					3
- 30	5369706	• SCREW,MACH-BIND HD 10-32 X 3/8 LG				ATT PT	6
- 31	5369707	• WASHER,LOCK-SPLIT 0.194 ID X 0.050 THK				ATT PT	6
- 32	2101887	• WASHER,FL-NO. 10 X 7/16 OD X 1/32 THK				ATT PT	6
- 33	5369697	• SHROUD					3
- 34	5369701	• SEAL,AIR					3
- 35	5369700	• SHOCK MOUNT					12
- 36	5369704	• SCREW,CAP-SLOT HD 6-32 X 15/16 LG				ATT PT	12
- 37	5369705	• WASHER,FL-NO. 1 X 1/2 OD X 0.025 THK				ATT PT	12
- 38	344015	• NUT,SELF LKG,HEX- 6-32 X 5/16 FL W				ATT PT	12
- 39	5369698	• PLATE,ADAPTER					3
- 40	10170	• SCREW,MACH-BIND HD 6-32 X 1/4 LG				ATT PT	12
- 41	6364	• WASHER,LOCK-SPLIT NO. 6 X 1/4 OD				ATT PT	12
- 42	5353851	• HOUSING-CONNECTOR RECEPTACLE, 3 POS					3
- 43	322550	• SCREW				ATT PT	6
- 44	56722	• WASHER,LOCK-EXT TEETH NO. 6				ATT PT	6
- 45	534705	• SPACER				ATT PT	6
- 46	599303	• SEAL-URETHANE FOAM 1/2 W X 0.120 THK				AR	
- 47	5368327	• HOUSING-COOLING					1

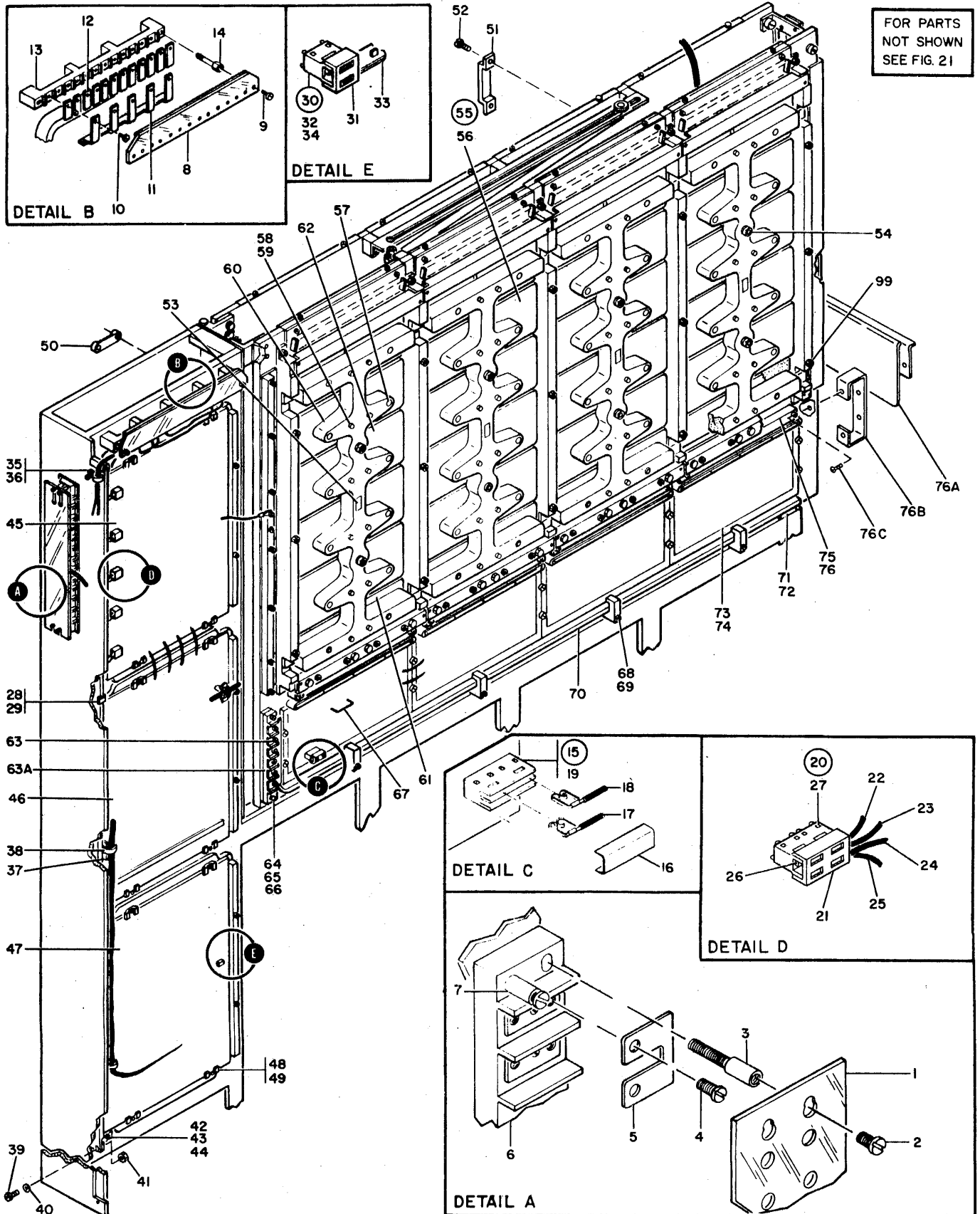


FIGURE 27. CROS NAD ROS MEMEORY STORAGE FIANL ASSEMBLY. SHEET 1 OF 2. INDEX NOS. 1-76C. SEE LIST 27.

LIST AND INDEX NUMBER	PART NUMBER	DESCRIPTION	UNITS PER ASM.	USABLE ON CODE
		CROS AND ROS MEMORY STORAGE FINAL ASSEMBLY		
27 -		CODE A USED ON ROS ASM CODE B USED ON CROS ASM		
-	5400770	FINAL ASSEMBLY,ROS	REF	A
-	5702900	FINAL ASSEMBLY,CROS	REF	B
-	5400750	FINAL ASSEMBLY,CROS SEE FIG 21-53 FOR NEXT HIGHER ASSEMBLY AND FIG. 27 FOR ILLUSTRATION	REF	B
- 1	811581	. SHIELD,TERMINAL BOARD	1	
- 2	5312043	. SCREW,MACH-BH 6-32 X 1/4 LG ATT PT	1	
- 3	347807	. STUD- 8-32 X 3/4 LG W/6-32 TAPPED HOLE	1	
- 4	811481	. SCREW,MACH- 6-32 X 1/4 LG	1	
- 5	5400663	. BUS BAR,2 POSITION	24	
- 6	811474	. TERMINAL BLOCK ASSEMBLY	4	
- 7	347805	. STUD,SHLDR-8-32 X 3/4 LG THD ATT PT	1	
- 8	811556	. COVER ASSEMBLY-FOAM	3	
- 9	10170	. SCREW,MACH-BIND HD 6-32 X 1/4 LG ATT PT	1	
- 10	34512	. SCREW,BIND.HD 8-32 X .375 LG	2	
- 11	811530	. BUS ASSEMBLY, VERT., 3 BOARD	12	
- 12	5703158	. JUMPER	1	
- 13	811476	. TERMINAL BLOCK,BUS TO BUS	1	
- 14	811536	. STANDOFF	2	
- 15	811483	. CROSSOVER ASSEMBLY	13	
- 16	813802	. . COVER	1	
- 17	811495	. . CONTACT ASSEMBLY	2	
- 18	811485	. . CONTACT ASM	2	
- 19	813801	. . HOUSING	1	
- 20	813080	. CROSSOVER,VOLTAGE,BUS TO BOARD,RIGHT	10	
- 21	813073	. . CAPACITOR,VOLTAGE	1	
- 22	813078	. . CONTACT ASSEMBLY	1	
- 23	813084	. . CONTACT ASSEMBLY	1	
- 24	813085	. . CONTACT ASSEMBLY	1	
- 25	813079	. . CONTACT ASSEMBLY	1	
- 26	2391011	. . DECOUPLER	1	
- 27	813072	. . HOUSING	1	
- 28	5703007	. STRAP	2	
- 29	731626	. SCREW, PAN HEAD, 6-32 X .25 LONG ATT PT	2	
- 30	813268	. BUS ASSEMBLY-MINIATURE TO BOARD E2	3	
- 30	813271	. BUS ASSEMBLY-MINOATIRE TO BOARD E3	1	
- 31	813549	. . CAP-MINTATURE BUS	AR	
- 32	813681	. . CONTACT,MINIATURE BUS	AR	
- 33	813258	. . BUS BAR	1	
- 33	813261	USED ON ASM 813268 ONLY . . BUS BAR	1	
- 34	813703	. . HOUSING	AR	
- 35	327921	. CLAMP,CABLE	3	
- 36	38235	. SCREW,MACH-BIND HD 6-32 X 0.312 LG ATT PT	3	
- 37	5400672	. BRACKET,ANGLE-CABLE	6	
- 38	760221	. TIE,CABLE	6	
- 39	438550	. SCREW,MACH-BIND HD 4-40 X 1/2 LG	1	
- 40	257985	. WASHER,FLAT-NO. 4 X 0.250 OD X 0.028 THK	1	
- 41	37913	. NUT-HEX 4-40 X .250 ID	1	
- 42	811742	. SUPPORT	1	
- 43	811426	. SCREW,MACH-PAN HD 6-32 X 3/8 IN. LG ATT PT	1	
- 44	257986	. WASHER,FLAT NO. 6 ATT PT	1	
- 45	5811287	. BOARD ASM-01C-E1	1	
- 46	5400719	. BOARD ASM-01C-E2	1	A
- 46	5811289	. BOARD ASM-01C-E2	1	B
- 47	5400821	. BOARD ASM-01C-E3	1	A
- 47	5811335	. BOARD ASM-01C-E3	1	B
- 48	813179	. CLAMP-BOARD	1	
- 49	811417	. SCREW,HEX SOCKET H- 6-32 X 1/2 LG ATT PT	14	
- 50	811427	. STRAP,CABLE	14	
- 51	5703328	. BUMPER,GATE	22	
- 52	322550	. SCREW ATT PT	1	
- 53	811825	. LABEL-CABLE	2	
- 54	5400689	. NUT,ROUND-KNURLED	16	
- 55	5702960	. SPIDER ASM	32	
- 56	33370	. SCREW,MACH-HEX HD 8-32 X 13/16 LG ATT PT	16	
- 57	58865	. . SETSCREW-HDLS SPLINE DR 10-32 X 7/8 LG	64	
			12	

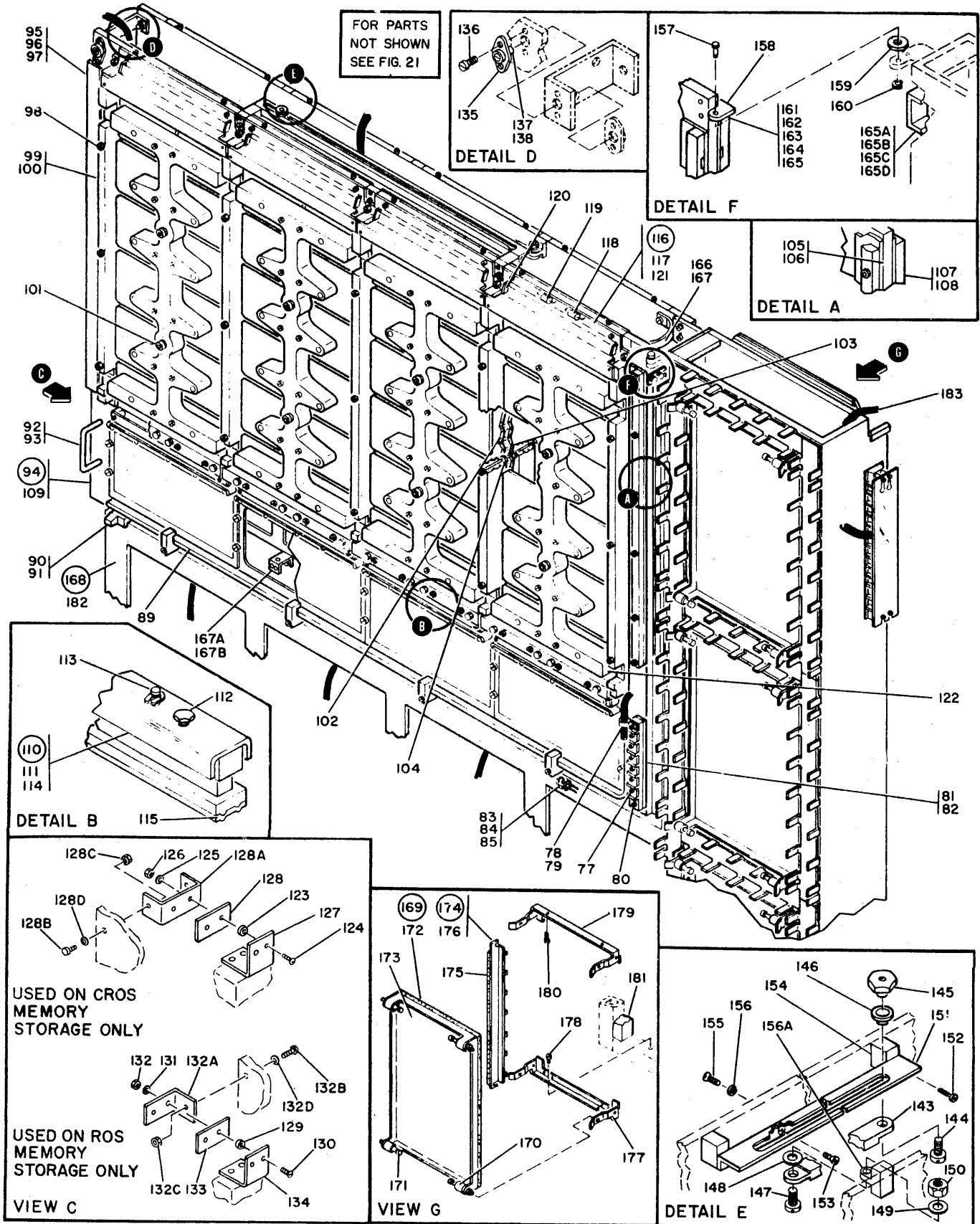


FIGURE 27. CROS AND ROS MEMORY STORAGE FINAL ASSEMBLY. SHEET 2 OF 2. INDEX NOS. 77-183. SEE LIST 27.

LIST AND INDEX NUMBER	PART NUMBER	DESCRIPTION	UNITS PER ASM.	USABLE ON CODE
27 - 77	811481	• SCREW,MACH- 6-32 X 1/4 LG	6	
- 78	2102367	• CLAMP-LOOP	1	
- 79	438589	• SCREW,MACH-BIND HD 8-32 X 1-1/2 LG ATT PT	1	
- 80	438588	• SCREW,MACH-UNDRCT BIND HD 8-32 X 1-1/4	1	
- 81	5702977	• TERMINAL BOARD ASM-7 POS	1	
- 82	5702978	• SPACER	1	
- 83	2114044	• CLIP,CABLE	1	
- 84	2114681	• CRADLE-CABLE	1	
- 85	322550	• SCREW ATT PT	1	
- 89	5702975	• BUS BAR	1	
- 90	5703155	• SUPPORT	1	
- 91	25627	• SCREW-BD. HD 8-32 X .500 LG ATT PT	2	
- 92	319300	• HANDLE	1	
- 93	55918	• SCREW,MACH-BIND HD 10-32 X 5/8 LG ATT PT	2	
- 94	5408113	• BASE PLANE ASSEMBLY	2	
- 95	5400666	• SHIELD-SENSE RESISTOR	1	
- 96	338238	• SCREW,MACH-BIND HD 4-40 X 0.312 LG ATT PT	3	
- 97	257985	• WASHER,FLAT-NO. 4 X 0.250 OD X 0.028 THK ATT PT	3	
- 98	5400656	• STUD,VERTICLE BAR	10	
- 99	5400657	• VERTICAL BAR	10	
-100	257189	• NUT,HEX- 8-32 ATT PT	50	
-101	5702968	• STUD	23	
-102	5408095	• SENSE PLATE ASM,A&D	1	
-103	5408090	• SENSE PLATE ASM,A&C	1	
-104	1144956	• PAD-PIN BACKSTOP	AR	
-105	5408097	• CONNECTOR,SENSE-72 POSITION	5	
-106	438538	• SCREW,MACH-UNDRCT BIND HD 2-56 X 1/4 LG ATT PT	12	
-107	5408098	• CONNECTOR,SENSE-42 POSITION	1	
-108	15887	• SCREW,MACH-BIND HD 2-56 X 1/8 LG ATT PT	12	
-109	5408084	• BASE PLATE	1	
-110	5400658	• CONNECTOR ASSEMBLY-DRIVE	32	
-111	38354	• SCREW,MACH-FIL H 6-32 X 1/2 LG ATT PT	64	
-112	5400655	• SCREW,PRESSURE DRIVE CONNECTOR	4	
-113	147297	• RING,RETAINING-EXT 0.094 ID X 0.020 THK	4	
-114	5400648	• CHANNEL,DRIVE CONNECTOR	1	
-115	5400650	• CONNECTOR ASSEMBLY,DRIVE-PRESSURE UNIT	2	
-116	5400781	• RESISTOR ASSEMBLY	16	
-117	48594	• SCREW,MACH-BIND HD 6-32 X 0.250 LG ATT PT	32	
-118	124582	• CAPACITOR FXD TANTALUM	2	
-119	383608	• CAPACITOR-TANTALUM 6.2MFD P 80 M 20% 25V	1	
-120	5703052	• MODULE,RC NETWORK	22	
-121	5400778	• BOARD C13,DRIVE RESISTOR	1	
-122	5702966	• SPONGE,SHEET	16	
-123	5703002	• BUSHING	2	A
-124	322028	• SCREW,MACH-BIND HD 1/4-20 X 3/4 LG ATT PT	2	
-125	76574	• LOCKWASHER-EXT TOOTH ID .267 X OD .510 ATT PT	2	
-126	3960	• NUT,PLAIN,HEX- 1/4-20 X 7/16 FL W ATT PT	2	
-127	5400662	• BRACKET	1	A
-128	5400661	• SPACER,INSULATION	1	A
-128A	5702998	• BRACKET ASM-GATE FASTENER	2	A
-128B	110286	• SCREW-MACHINE ATT PT	2	
-128C	55586	• NUT,CHECK,HEX-1/4-20 X 1/8 FL W ATT PT	2	
-128D	5703006	• SPACER	2	A
-129	5703002	• BUSHING	2	B
-130	322029	• SCREW,MACH-BIND HD 1/4-20 X 1/2 LG ATT PT	2	
-131	6935	• WASHER,LOCK-SPLIT 1/4 X 0.493 OD ATT PT	2	
-132	55586	• NUT,CHECK,HEX-1/4-20 X 1/8 FL W ATT PT	2	
-132A	5400753	• BRACKET	2	B
-132B	110286	• SCREW-MACHINE ATT PT	2	
-132C	55586	• NUT,CHECK,HEX-1/4-20 X 1/8 FL W ATT PT	2	
-132D	5703006	• SPACER	2	B
-133	5703003	• SPACER	1	B
-134	5400662	• BRACKET	1	B
-135	5702995	• GROMMET	2	A
-136	236550	• SCREW,MACH-BIND HD 4-40 X 0.375 LG ATT PT	4	
-137	5702996	• STUD-WING HD	2	A
-138	244111	• WASHER,STUD RETAINING-CAMLOC	2	
-143	5703285	• ARM,BASE PLATE	1	A
-144	32617	• SCREW,MACH-BIND HD 10-32 X 0.438 LG ATT PT	1	
-145	5703286	• NUT,SHOULDER ATT PT	1	
-146	5703282	• ROLLER-ARM	1	A
-147	234565	• SCREW,SHOULDER LATCH	1	A
-148	22478	• WASHER,FL- 0.170 ID 0.375 OD 0.32 THK	1	A
-149	1090873	• WASHER,LOCK,SPLIT RING- .168 ID, .296 OD	1	A
-150	257189	• NUT,HEX- 8-32	1	A
-151	5703284	• GUIDE,ARM	1	A

LIST AND INDEX NUMBER	PART NUMBER	DESCRIPTION	UNITS PER ASM.	USABLE ON CODE
27 -152	38352	• SCREW,MACH-FIL H 6-32 X 3/8 LG		
-153	38443	• SCREW,MACH-FL CSK HD 6-32 X 5/16 LG	ATT PT	
-154	5703283	• BLOCK,MOUNTING-GUIDE	ATT PT	
-155	5644	• SCREW,MACH-FIL H 6-32 X 5/8 LG		A
-156	6364	• WASHER,LOCK-SPLIT NO. 6 X 1/4 OD	ATT PT	
-156A	5703287	• BLOCK,MOUNTING,ARM		
-157	5703000	• PIN		A
-158	5702999	• HINGE		A
-159	161351	• WASHER,PLAIN FLAT		A
-160	332747	• RING,RETAINING-EXT 0.207 ID X 0.025 THK		A
-161	5703001	• BUSHING		A
-162	38688	• SCREW-SUPPORT & TRIM MOUNTING .750 LONG	ATT PT	
-163	6935	• WASHER,LOCK-SPLIT 1/4 X 0.493 OD	ATT PT	
-164	3550	• WASHER,FL- 1/4 X 9/16 OD X 0.050 THK	ATT PT	
-165	5703004	• SPACER		
-165A	5703154	• CLAMP ASM-CABLE		
-165B	322065	• SCREW,MACH-BIND HD 6-32 X 5/8 LG	ATT PT	
-165C	62031	• WASHER,LOCK-INT TEETH NO. 6 X 0.295 OD	ATT PT	
-165D	257986	• WASHER,FLAT NO. 6	ATT PT	
-166	5400675	• STRIP ASSEMBLY,GROUND		
-167	34512	• SCREW,BIND.HD 8-32 X .375 LG	ATT PT	
-167A	5703008	• BRACKET		
-167B	338238	• SCREW, MACH-BD HD 4-40 NC X .3125 LG	ATT PT	
-168	5353145	• GATE ASM-CROS MEMORY		
-168	5400574	• GATE ASSEMBLY,CROS MEMORY		A
-169	811869	• COVER ASSEMBLY-CARD		B
-170	815963	• CATCH-PULL		
-171	815964	• SPACER-HINGE		
-172	815263	• BACKING, FOAM		
-173	811868	• COVER-CARD		
-174	811881	• RETAINER ASSEMBLY		
-175	811441	• SEAL		
-176	811896	• RETAINER		
-177	811854	• BRACKET-HINGE		
-178	10170	• SCREW,MACH-BIND HD 6-32 X 1/4 LG	ATT PT	
-179	811855	• BRACKET-HINGE		
-180	811426	• SCREW,MACH-PAN HD 6-32 X 3/8 IN. LG	ATT PT	
-181	811442	• SEAL		
-182	5353146	• BOARD,GATE		
-182	5372990	USED ON ASM 5353145 • BOARD,GATE		
-183	5400736	USED ON ASM 5400754 • CABLE ASSEMBLY-POWER DISTRIBUTION		
-183	5400737	• CABLE ASSEMBLY-POWER DISTRIBUTION		AR
-183	5400738	• CABLE ASSEMBLY-POWER DISTRIBUTION		AR
-183	5400739	• CABLE ASSEMBLY-POWER DISTRIBUTION		AR
-183	5400740	• CABLE ASSEMBLY-POWER DISTRIBUTION		AR
-183	5400741	• CABLE ASSEMBLY-POWER DISTRIBUTION		AR
-183	5400742	• CABLE ASSEMBLY-POWER DISTRIBUTION		AR
-183	5400743	• CABLE ASSEMBLY-POWER DISTRIBUTION		AR
-183	5400744	• CABLE ASSEMBLY-POWER DISTRIBUTION SEE FIG. 79-7,-8 AND -42A FOR COMPONENT PARTS		AR
-183	5400788	• CABLE ASSEMBLY-SENSE		AR
-183	5400789	• CABLE ASSEMBLY-SENSE SEE FIG. 79-28Q,-28R,-28S AND 28T FOR COMPONENT PARTS		AR

FOR PARTS
NOT SHOWN
SEE FIG. 21

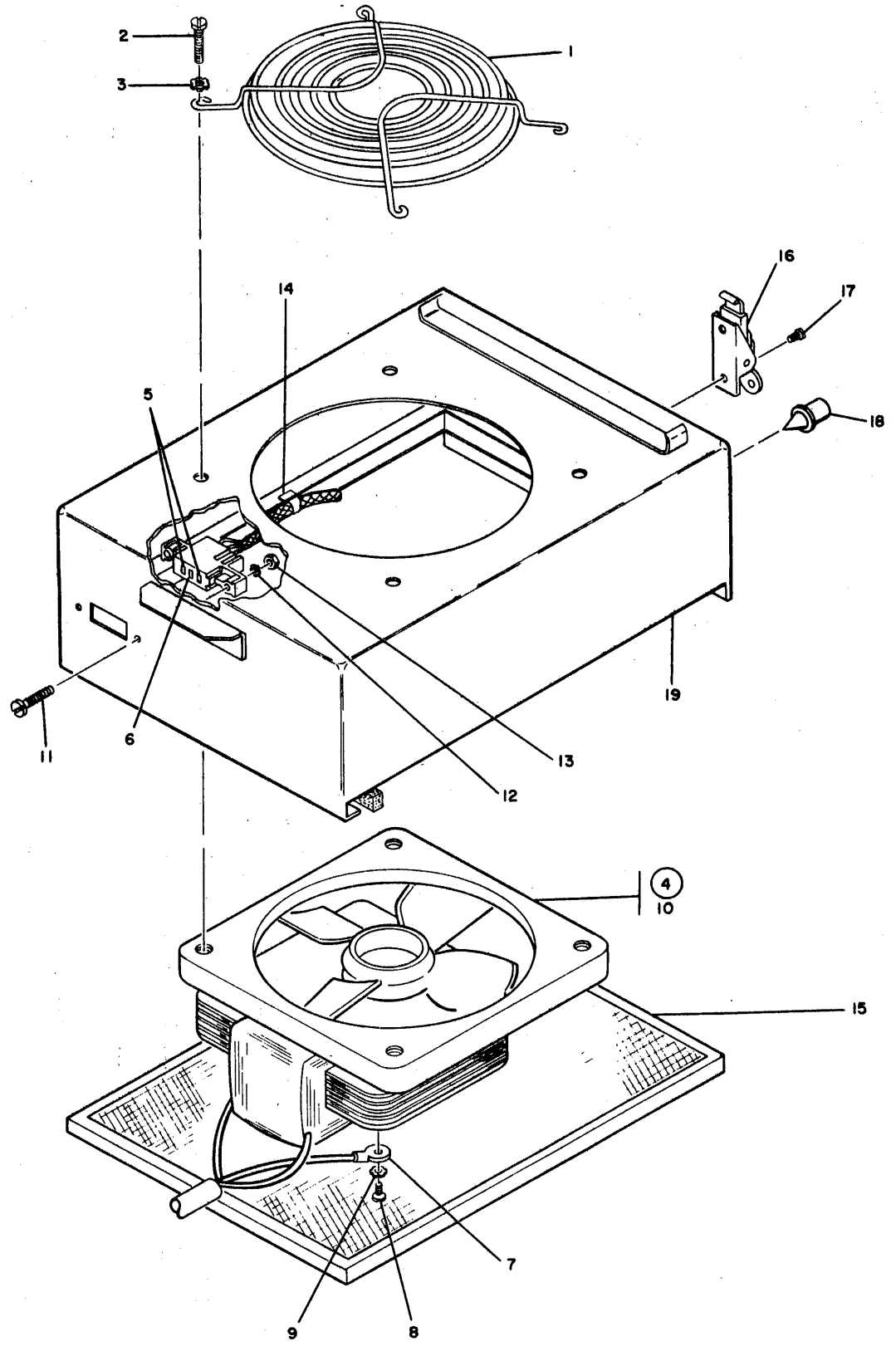


FIGURE 28. 1 FAN COOLING UNIT ASSEMBLY-60 HZ. SEE LIST 28.

FOR PARTS
NOT SHOWN
SEE FIG. 21

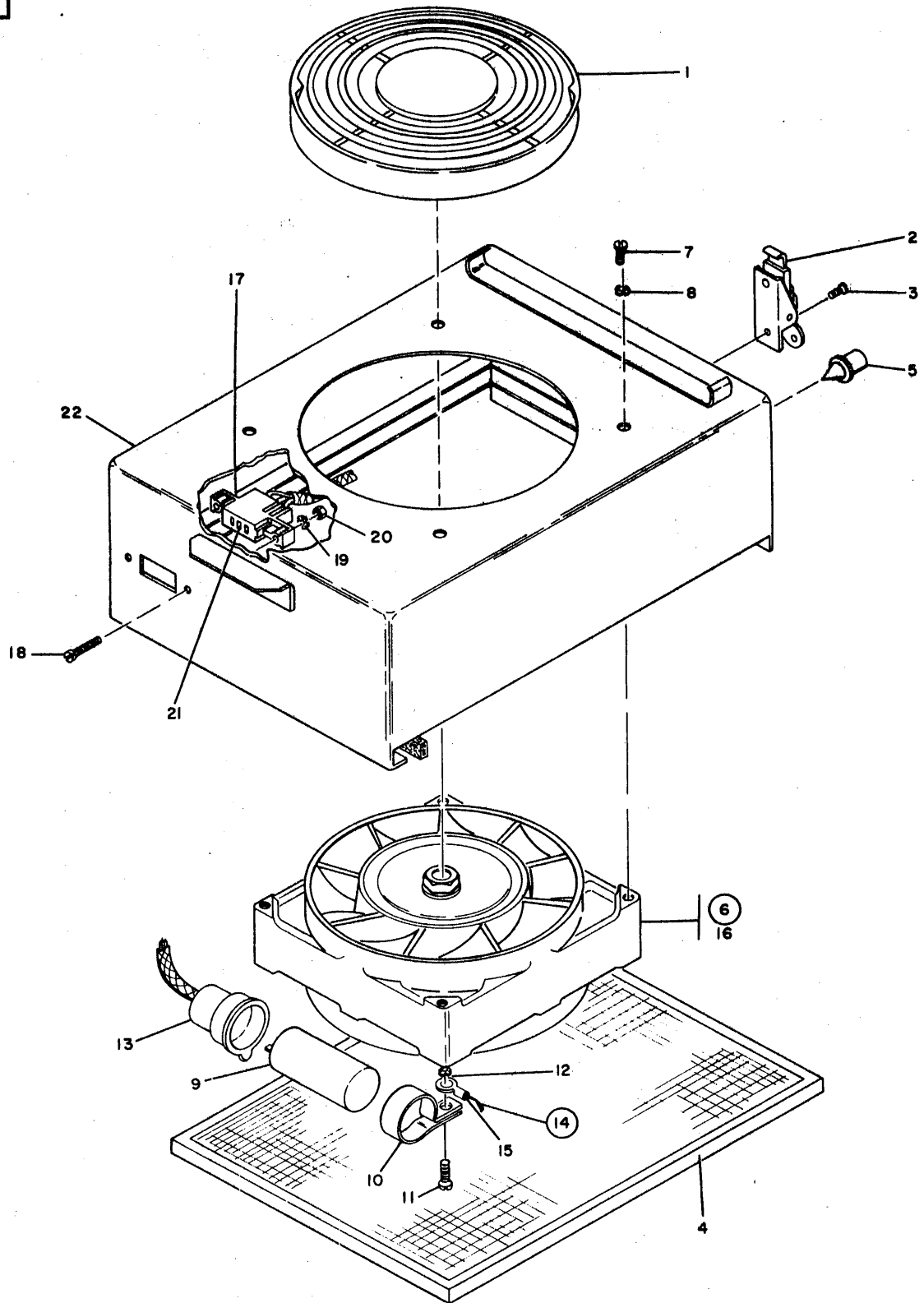


FIGURE 28A. 1 FAN COOLING UNIT ASSEMBLY-50 HZ. SEE LIST 28A.

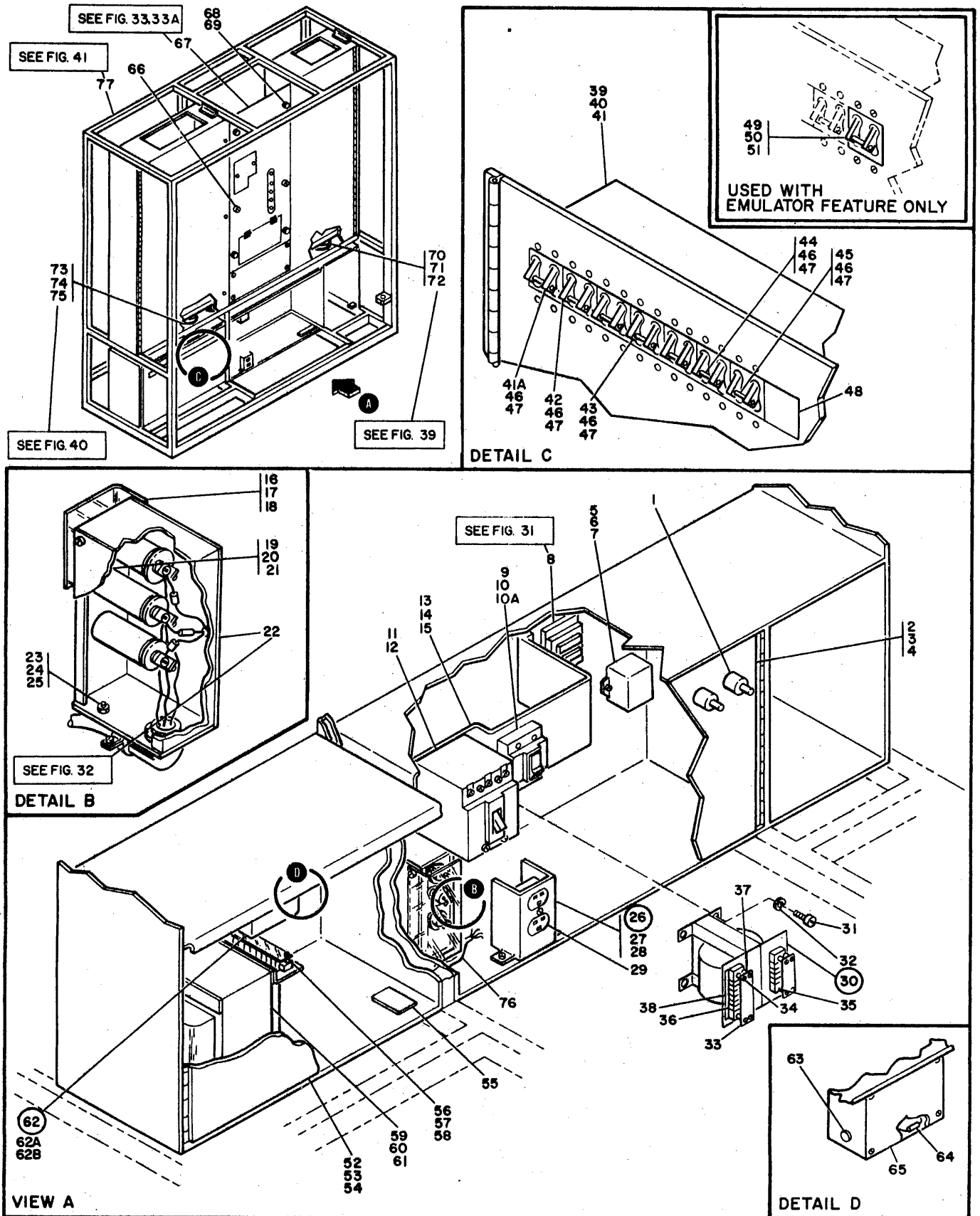


FIGURE 29. ELECTRICAL POWER GROUP-60 HZ. SEE LIST 29.

LIST AND INDEX NUMBER	PART NUMBER	DESCRIPTION				UNITS PER ASM.	USABLE ON CODE
		1	2	3	4		
		ELECTRICAL POWER GROUP-60 HZ					
		CODE 1 USED ON ASM PRIOR TO L9 SUFFIX CODE 2 USED ON ASM FROM L9 TO CURRENT					
29 -	5365220 NP	ELECTRICAL POWER GROUP-60 HZ SEE FIG. 29 FOR ILLUSTRATION					
- 1	303549	• FUSE,CARTRIDGE-SLOW BLOW 1.0 AMP 250V				2	
- 2	5364184	• COVER-AC PRIMARY				1	
- 3	58207	• SCREW,MACH-UNDRCT BIND HD 8-32 X 1/4 LG				5	
- 4	55901	• WASHER,LOCK-EXT TEETH NO. 8 X 0.381 OD				3	
- 5	515873	• TIMER,ADJUSTABLE 0-4.5-208V				1	
- 6	2300	• SCREW,MACH-FIL H 8-32 X 1/4 LG				2	
- 7	55901	• WASHER,LOCK-EXT TEETH NO. 8 X 0.381 OD				2	
- 8	5276241	• DETECTION ASM-LINE LOSS				1	
- 9	5719453	SEE FIG. 31 FOR DETAIL BREAKDOWN • CIRCUIT BREAKER- 3 POLE 30 AMP				1	
- 10	35739	• SCREW,MACH-BIND HD 6-32 X 15/16 LG				4	
- 10A	760731	• CLAMP-CB MOUNTING				4	
- 11	519043	• CIRCUIT BREAKER- 3P 240V AC 50 AMP				1	
- 12	322563	• SCREW				4	
- 13	5364156	• BRACKET-CIRCUIT BREAKER MTG				1	
- 14	186759	• SCREW,MACH-BIND HD 8-32 X 5/16 LG				4	
- 15	55901	• WASHER,LOCK-EXT TEETH NO. 8 X 0.381 OD				4	
- 16	5364297	• COVER,SAFETY				1	
- 17	58207	• SCREW,MACH-UNDRCT BIND HD 8-32 X 1/4 LG				2	
- 18	55901	• WASHER,LOCK-EXT TEETH NO. 8 X 0.381 OD				2	
- 19	5364155	• COVER-FILTER				1	
- 20	55726	• SCREW,MACH-BIND HD 6-32 X .188 LG				4	
- 21	56722	• WASHER,LOCK-EXT TEETH NO. 6				4	
- 22	5364222	• FILTER BOX ASSEMBLY				1	
- 23	34512	SEE FIG. 32 FOR DETAIL BREAKDOWN • SCREW,BIND,HD 8-32 X .375 LG				2	
- 24	55901	• WASHER,LOCK-EXT TEETH NO. 8 X 0.381 OD				2	
- 25	257189	• NUT,HEX- 8-32				2	
- 26	5364516	• OUTLET, CONVENIENCE- 115VAC 20 AMP				1	
- 27	322550	• SCREW				1	
- 28	56722	• WASHER,LOCK-EXT TEETH NO. 6				1	
- 29	5213803	• OUTLET,CONVENIENCE- 125V				1	
- 30	5213435	• TRANSFORMER ASM				1	
- 31	130434	• SCREW-MACH,SLOTTED HEX HD NO.10-32 X.375				4	
- 32	56079	• WASHER,LOCK-EXT T .195 ID .410 OD				5	
- 33	191480	• SHIELD,8 POSITION				2	
- 34	210984	• SCREW, RD HD MACH-6-32 X .250 LG				2	
- 35	210883	• STUD-SHIELD MTG,TAPPED,NO. 6-32				2	
- 36	322766	• BLOCK,TERMINAL				2	
- 37	210884	• STUD-SHIELD MTG,NO. 6-32				6	
- 38	126036	• MARKER STRIP,INSULATING				1	
- 39	5364543	• COVER,CIRCUIT BREAKER				1	
- 40	10170	• SCREW,MACH-BIND HD 6-32 X 1/4 LG				2	
- 41	56722	• WASHER,LOCK-EXT TEETH NO. 6				2	
- 41A	5270651	• CIRCUIT BREAKER-DP 0.4 AMP				1	
- 42	5270566	• CIRCUIT BREAKER-DP 0.8 AMP				1	
- 43	5270559	• CIRCUIT BREAKER- 2 POLE 0.65 AMPS 250VAC				3	
- 44	5364273	• CIRCUIT BREAKER-DP 15 AMP				1	
- 45	5270651	• CIRCUIT BREAKER-DP 0.4 AMP				1	
- 46	10170	• SCREW,MACH-BIND HD 6-32 X 1/4 LG				28	
- 47	56722	• WASHER,LOCK-EXT TEETH NO. 6				28	
- 48	5271216	• PLATE-CB				1	
- 49	5270559	• CIRCUIT BREAKER- 2 POLE 0.65 AMPS 250VAC USED WITH EMULATOR FEATURE ONLY				1	
- 50	10170	• SCREW,MACH-BIND HD 6-32 X 1/4 LG				4	
- 51	56722	• WASHER,LOCK-EXT TEETH NO. 6				4	
- 52	5364159	• COVER-AC PRIMARY				1	
- 53	58207	• SCREW,MACH-UNDRCT BIND HD 8-32 X 1/4 LG				5	
- 54	55901	• WASHER,LOCK-EXT TEETH NO. 8 X 0.381 OD				3	
- 55	138756	• PLATE,INST-LINE V PRESENT W/MACH PWR OFF				1	
- 56	337193	• SHIELD-TERMINAL BOARD 6 POSITION				1	
- 57	322552	• SCREW,MACH-BIND HD 6-32 X 7/8 LG				2	
- 58	316187	• SPACER- 0.186 ID X 1/4 OD X 5/16 THK				2	
- 59	5271245	• TRANSFORMER,POWER- 2300VA,60CPS- 115V				1	
- 60	438611	• SCREW,MACH-FIL H 1/4-20 X 3/8 LG				4	
- 61	76574	• LOCKWASHER-EXT TOOTH ID .267 X OD .510				5	
- 62	5262098	• TEMPERATURE CONTROL ASSEMBLY- 208VAC				1	
- 62	5262102	• TEMPERATURE CONTROL ASSEMBLY- 230VAC				1	
- 62A	236849	• SCREW,MACH-BIND HD 10-32 X 0.250 LG				3	

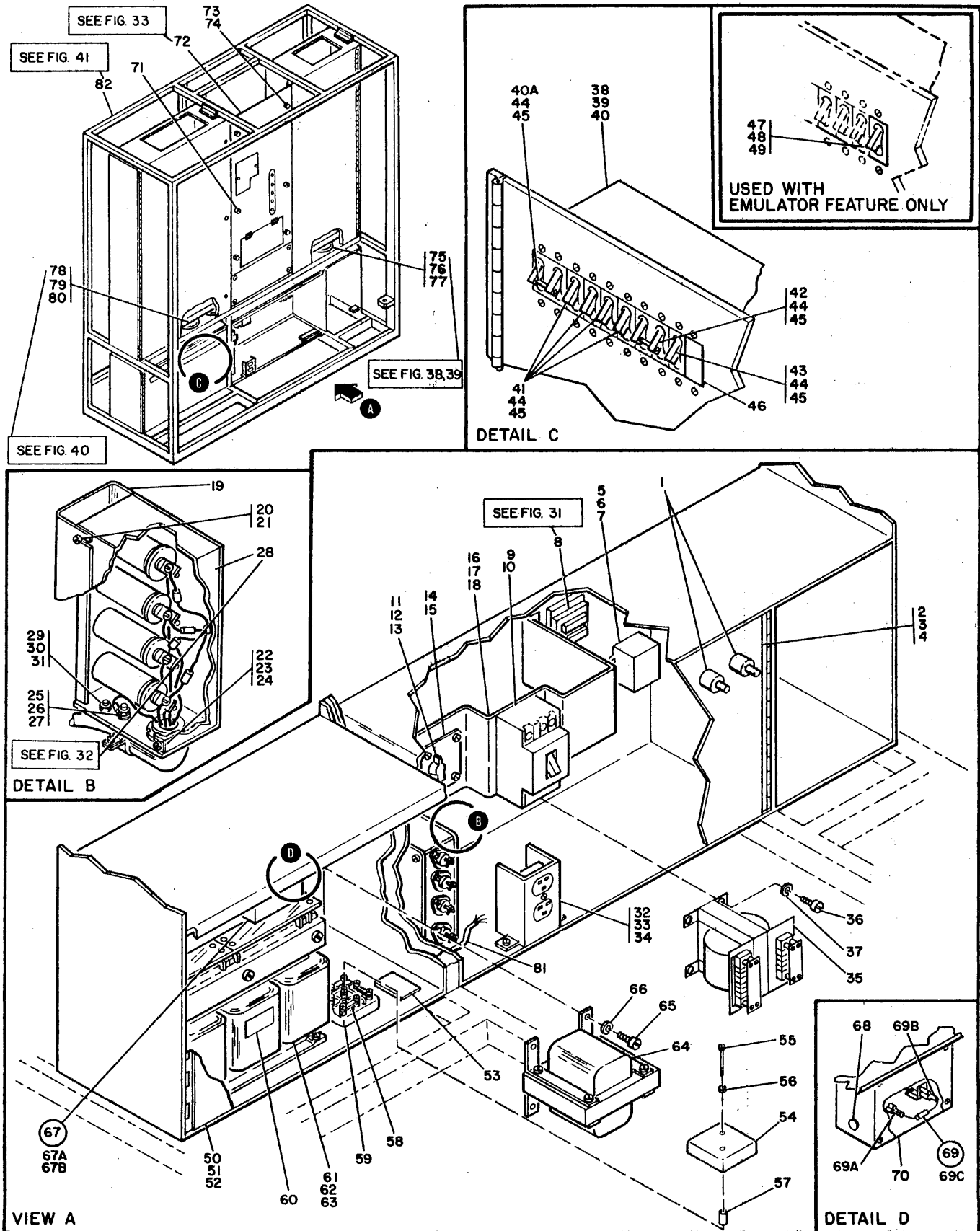


FIGURE 30. ELECTRICAL POWER GROUP-50 HZ. SEE LIST 30.

LIST AND INDEX NUMBER	PART NUMBER	DESCRIPTION				UNITS PER ASM.	USABLE ON CODE
		1	2	3	4		
		ELECTRICAL POWER GROUP-50 HZ					
30 -	5365230 NP	ELECTRICAL POWER GROUP-50 HZ SEE FIG. 30 FOR ILLUSTRATION					
- 1	78999	• FUSE, 0.5 AMPS				2	
- 2	5364126	• COVER				1	
- 3	58207	• SCREW,MACH-UNDRCT BIND HD 8-32 X 1/4 LG				5	
- 4	55901	• WASHER,LOCK-EXT TEETH NO. 8 X 0.381 OD				3	
- 5	806926	• TIMER				1	
- 6	2300	• SCREW,MACH-FIL H 8-32 X 1/4 LG				2	
- 7	55901	• WASHER,LOCK-EXT TEETH NO. 8 X 0.381 OD				2	
- 8	5364595	• DETECTION ASSEMBLY,LINE LOSS- 50 HZ SEE FIG. 31 FOR DETAIL BREAKDOWN				1	
- 9	8026896	• CIRCUIT BREAKER				1	
- 10	438602	• SCREW,MACH-BIND HD 10-32 X 1-1/2 LG				2	
- 11	8019065	• ROTARY SWITCH				1	
- 12	32042	• SCREW, MACH BIND. HD 10-32 X 3/8 LG.				4	
- 13	56079	• WASHER,LOCK-EXT T .195 ID .410 OD				4	
- 14	5364138	• PLATE				1	
- 15	10170	• SCREW,MACH-BIND HD 6-32 X 1/4 LG				2	
- 16	5364137	• BRACKET-CIRCUIT BREAKER				1	
- 17	186759	• SCREW,MACH-BIND HD 8-32 X 5/16 LG				4	
- 18	55901	• WASHER,LOCK-EXT TEETH NO. 8 X 0.381 OD				4	
- 19	8027125	• COVER				1	
- 20	81693	• SCREW,MACH-BIND HD 6-32 X 3/8 LG				2	
- 21	257986	• WASHER,FLAT NO. 6				2	
- 22	5364155	• COVER-FILTER				1	
- 23	55726	• SCREW,MACH-BIND HD 6-32 X .188 LG				2	
- 24	56722	• WASHER,LOCK-EXT TEETH NO. 6				2	
- 25	438623	• SCREW,MACH-BIND HD 1/4-20 X 5/8 LG				1	
- 26	3960	• NUT,PLAIN,HEX- 1/4-20 X 7/16 FL W				1	
- 27	76574	• LOCKWASHER-EXT TOOTH ID .267 X OD .510				1	
- 28	5364128	• FILTER BOX ASSEMBLY SEE FIG. 32 FOR DETAIL BREAKDOWN				1	
- 29	34512	• SCREW,BIND.HD 8-32 X .375 LG				2	
- 30	55901	• WASHER,LOCK-EXT TEETH NO. 8 X 0.381 OD				2	
- 31	257189	• NUT,HEX- 8-32				2	
- 32	5213803	• OUTLET,CONVENIENCE- 125V				1	
- 33	322550	• SCREW				1	
- 34	56722	• WASHER,LOCK-EXT TEETH NO. 6				1	
- 35	8026380	• TRANSFORMER				1	
- 36	130434	• SCREW-MACH,SLOTTED HEX HD NO.10-32 X.375				4	
- 37	56079	• WASHER,LOCK-EXT T .195 ID .410 OD				5	
- 38	5364543	• COVER,CIRCUIT BREAKER				1	
- 39	10170	• SCREW,MACH-BIND HD 6-32 X 1/4 LG				2	
- 40	56722	• WASHER,LOCK-EXT TEETH NO. 6				2	
- 40A	5270651	• CIRCUIT BREAKER-DP 0.4 AMP				1	
- 41	5213816	• CIRCUIT BREAKER				4	
- 42	5364273	• CIRCUIT BREAKER-DP 15 AMP				1	
- 43	5213818	• CIRCUIT BREAKER				1	
- 44	10170	• SCREW,MACH-BIND HD 6-32 X 1/4 LG				14	
- 45	56722	• WASHER,LOCK-EXT TEETH NO. 6				14	
- 46	5732323	• COVER, CIRCUIT BREAKER				1	
- 47	5213818	• CIRCUIT BREAKER USED WITH EMULATOR FEATURE ONLY				1	
- 48	10170	• SCREW,MACH-BIND HD 6-32 X 1/4 LG				2	
- 49	56722	• WASHER,LOCK-EXT TEETH NO. 6				2	
- 50	5364644	• COVER,AC PRIMARY				1	
- 51	58207	• SCREW,MACH-UNDRCT BIND HD 8-32 X 1/4 LG				5	
- 52	55901	• WASHER,LOCK-EXT TEETH NO. 8 X 0.381 OD				3	
- 53	138754	• DECAL,VOLTAGE-ENGLISH,JAPANESE				2	
- 54	8027126	• BOARD,SWITCHING				1	
- 55	221790	• SCREW,MACH-BIND HD 8-32 X 3/16 LG				2	
- 56	45690	• WASHER, FL - NO.10 X 7/16 OD X 1/32 THK				2	
- 57	234742	• STUD-INT 8-32 EXT 10-32 X 2 3/16 LG OA				2	
- 58	4064448	• JUMPER-SWITCH				4	
- 59	4121259	• SWITCH BOARD				1	
- 60	138756	• PLATE,INST-LINE V PRESENT W/MACH PWR OFF				1	
- 61	4116433	• TRANSFORMER,VARIABLE POWER				1	
- 62	36844	• SCREW,CAP-HEX HD SLOTTED 1/4-20 X 5/8 LG				4	
- 63	76574	• LOCKWASHER-EXT TOOTH ID .267 X OD .510				5	
- 64	4118360	• TRANSFORMER,AUTO				1	
- 65	130434	• SCREW-MACH,SLOTTED HEX HD NO.10-32 X.375				4	
- 66	56079	• WASHER,LOCK-EXT T .195 ID .410 OD				5	
- 67	5262099	• TEMPERATURE CONTROL ASSEMBLY				1	
- 67A	236849	• SCREW,MACH-BIND HD 10-32 X 0.250 LG				3	

FOR PARTS
NOT SHOWN
SEE FIG. 29,30

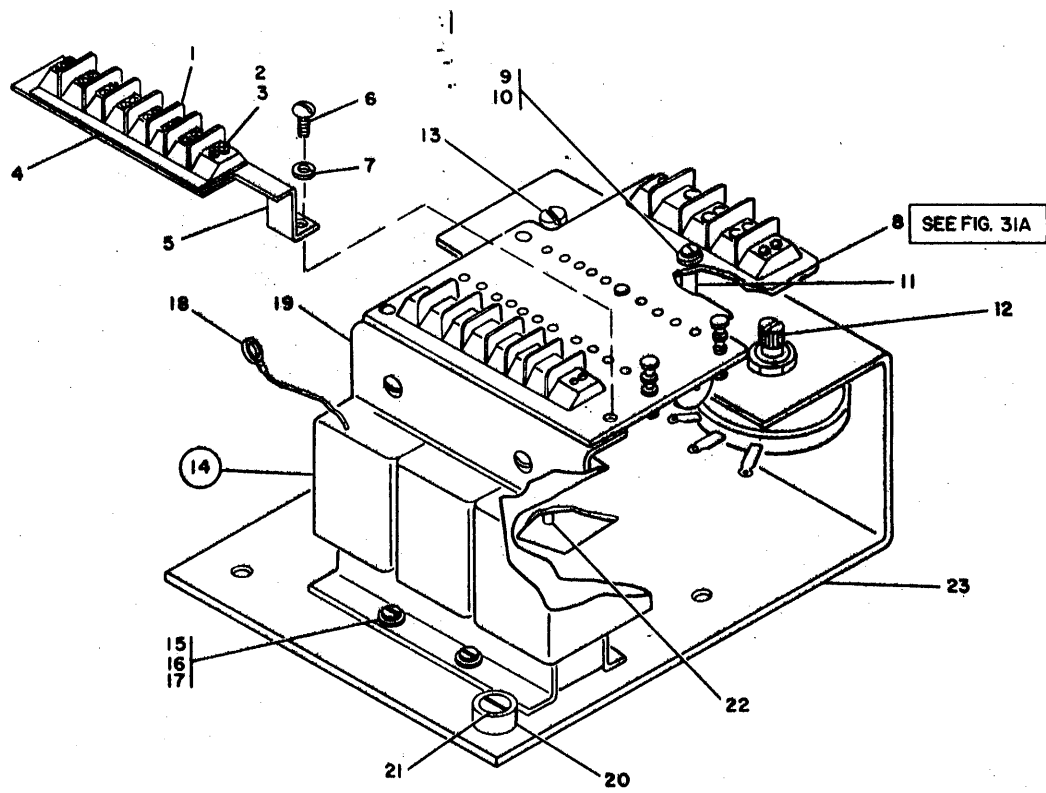


FIGURE 31. LINE LOSS DETECTION ASSEMBLY. SEE LIST 31.
LINE LOSS DETECTION ASSEMBLY

31 -		LINE LOSS DETECTION ASSEMBLY			
		CODE A USED FOR 60 HZ CODE B USED FOR 50 HZ			
-	5276241	DETECTION ASM-LINE LOSS- 60 HZ SEE FIG. 29-8 FOR NEXT HIGHER ASSEMBLY AND FIG. 31 FOR ILLUSTRATION		REF	A
-	5364595	DETECTION ASSEMBLY, LINE LOSS- 50 HZ SEE FIG. 30-8 FOR NEXT HIGHER ASSEMBLY AND FIG. 31 FOR ILLUSTRATION		REF	B
-	1 317232	• TERMINAL BOARD- 6 DBL SCREW TERMINALS		1	B
-	2 81693	• SCREW, MACH-BIND HD 6-32 X 3/8 LG	ATT PT	4	
-	3 62031	• WASHER, LOCK-INT TEETH NO. 6 X 0.295 OD	ATT PT	4	
-	4 520678	• MARKER STRIP- 6 POS NOS. 1 THRU 6		1	
-	5 5364596	• BRACKET, TB MOUNTING		1	B
-	6 81693	• SCREW, MACH-BIND HD 6-32 X 3/8 LG	ATT PT	2	
-	7 62031	• WASHER, LOCK-INT TEETH NO. 6 X 0.295 OD	ATT PT	2	
-	8 5276244	• BOARD ASM-LINE LOSS DETECTION SEE FIG. 31A FOR DETAIL BREAKDOWN		1	
-	9 438568	• SCREW, MACH-UNDRCT BIND HD 6-32 X 1-1/8	ATT PT	1	
-	10 6364	• WASHER, LOCK-SPLIT NO. 6 X 1/4 OD	ATT PT	1	
-	11 320297	• SPACER, SLV- 5/16 ID X 1/4 OD X 7/8 LG		1	
-	12 524317	• RESISTOR, VAR-WW 100K P/M 10% 4W		1	
-	13 208300	• POTENTIOMETER, 250 OHM P/M 10% 2W		1	
-	14 5276243	• TRANSFORMER ASSEMBLY, .3VA 6PH 50-60CPS		1	A
-	14 5364594	• TRANSFORMER ASSEMBLY		1	B
-	15 10170	• SCREW, MACH-BIND HD 6-32 X 1/4 LG	ATT PT	4	
-	16 6364	• WASHER, LOCK-SPLIT NO. 6 X 1/4 OD	ATT PT	4	
-	17 257986	• WASHER, FLAT NO. 6	ATT PT	4	
-	18 334921	• TERMINAL-RING, 18-22 AWG, #6 HOLE, INS		9	
-	19 5276248	• BRACKET-BOARD MTG		1	
-	20 5261315	• ADAPTER-CAPTIVE SCREW		2	
-	21 5261314	• SCREW, CAPTIVE- 10-32 X 1/2 LG	ATT PT	2	
-	22 5261379	• PIN, STRAIGHT DOWEL		2	
-	23 5276245	• PLATE-TRANSFORMER MTG		1	

FOR PARTS
NOT SHOWN
SEE FIG. 31

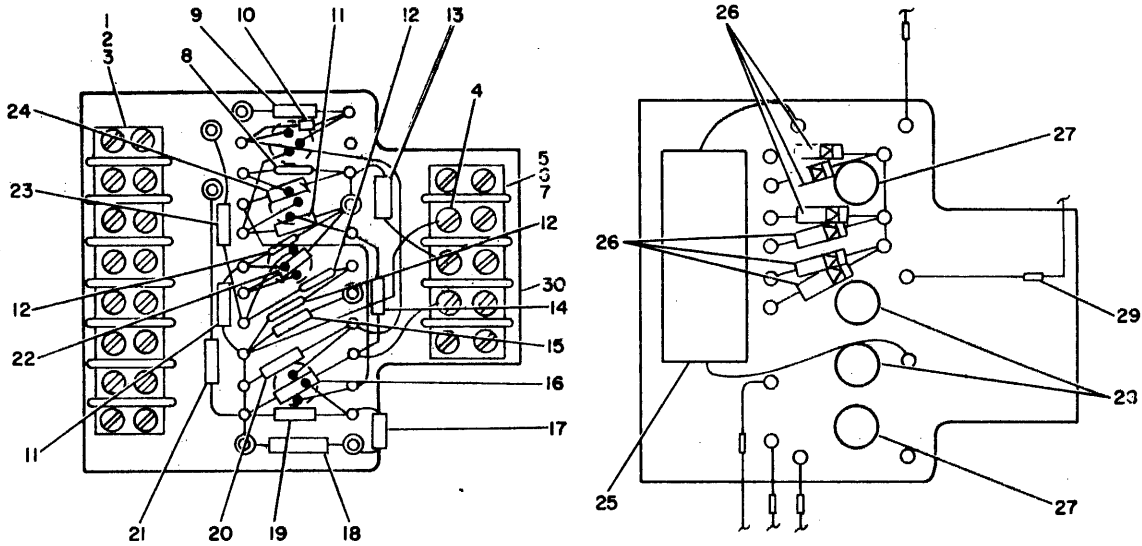


FIGURE 31A. BOARD ASSEMBLY-LINE LOSS DETECTION. SEE LIST 31A.
BOARD ASSEMBLY-LINE LOSS DETECTION

31A-	5276244	BOARD ASM-LINE LOSS DETECTION SEE FIG. 31-8 FOR NEXT HIGHER ASSEMBLY AND FIG. 31A FOR ILLUSTRATION	REF
- 1	317232	• TERMINAL BOARD- 6 DBL SCREW TERMINALS	1
- 2	35739	• SCREW,MACH-BIND HD 6-32 X 15/16 LG ATT PT	4
- 3	62031	• WASHER,LOCK-INT TEETH NO. 6 X 0.295 OD ATT PT	4
- 4	334921	• TERMINAL-RING,18-22 AWG,#6 HOLE,INS	2
- 5	323837	• TERMINAL BOARD- 3 DBL SCREW TERMINALS	1
- 6	35739	• SCREW,MACH-BIND HD 6-32 X 15/16 LG ATT PT	4
- 7	62031	• WASHER,LOCK-INT TEETH NO. 6 X 0.295 OD ATT PT	4
- 8	491300	• DIODE,SEMICONDUCTOR- 35V AT 150 DEG.CENT	1
- 9	321271	• RESISTOR,FXD,COMP- 10 OHMS P/M 5% 1/2W	1
- 10	369631	• SEMICONDUCTOR DEVICE,DIODE	1
- 11	317018	• RESISTOR,FXD 1.6K PM 5% 1/2W	2
- 12	369611	• DIODE,SEMICONDUCTOR-ZENER,TYPE DY	3
- 13	364433	• SEMICONDUCTOR DEVICE,DIO-TYPE 1N537	1
- 14	317020	• RESISTOR,FXD,COMP- 2.2K P/M 5% 1/2W	1
- 15	317428	• RESISTOR,FXD,COMP- 330 OHMS P/M 5% 1/2W	1
- 16	322347	• RESISTOR,FXD,COMP- 560 OHMS P/M 5% 1/2W	1
- 17	213547	• RESISTOR,FXD,COMP- 15K P/M 5% 1/2W	1
- 18	529203	• CAPACITOR,FIXED,TANTALUM-47 UF 35V	1
- 19	213697	• RESISTOR,FXD,WW- 24K P/M 5 PCT 1/2W	1
- 20	317009	• RESISTOR,FXD 390 OHM P/M 5 PCT 0.5W	1
- 21	317026	• RESISTOR,FIXED COMP 9.1K,5%,1/2 WATT	1
- 22	333202	• RESISTOR,FXD,COMP-240 OHMS P/M 5% 1/2W	1
- 23	317428	• RESISTOR,FXD,COMP- 330 OHMS P/M 5% 1/2W	1
- 24	317015	• RESISTOR,FXD,COMP- 750 OHMS P/M 5% 1/2W	1
- 25	5213521	• CAPACITOR,FIXED,ELECT-1000 UF 25V	1
- 26	2111232	• SEMICONDUCTOR DEVICE,DIODE-TYPE AM	6
- 27	369654	• TRANSISTOR-NPN	2
- 28	369652	• TRANSISTOR-PNP	2
- 29	317296	• LABEL-NUMBERING L TO R 1 THRU 33	1
- 30	5276247	• BOARD PIN ASM	1

FOR PARTS
NOT SHOWN
SEE FIG. 29,30

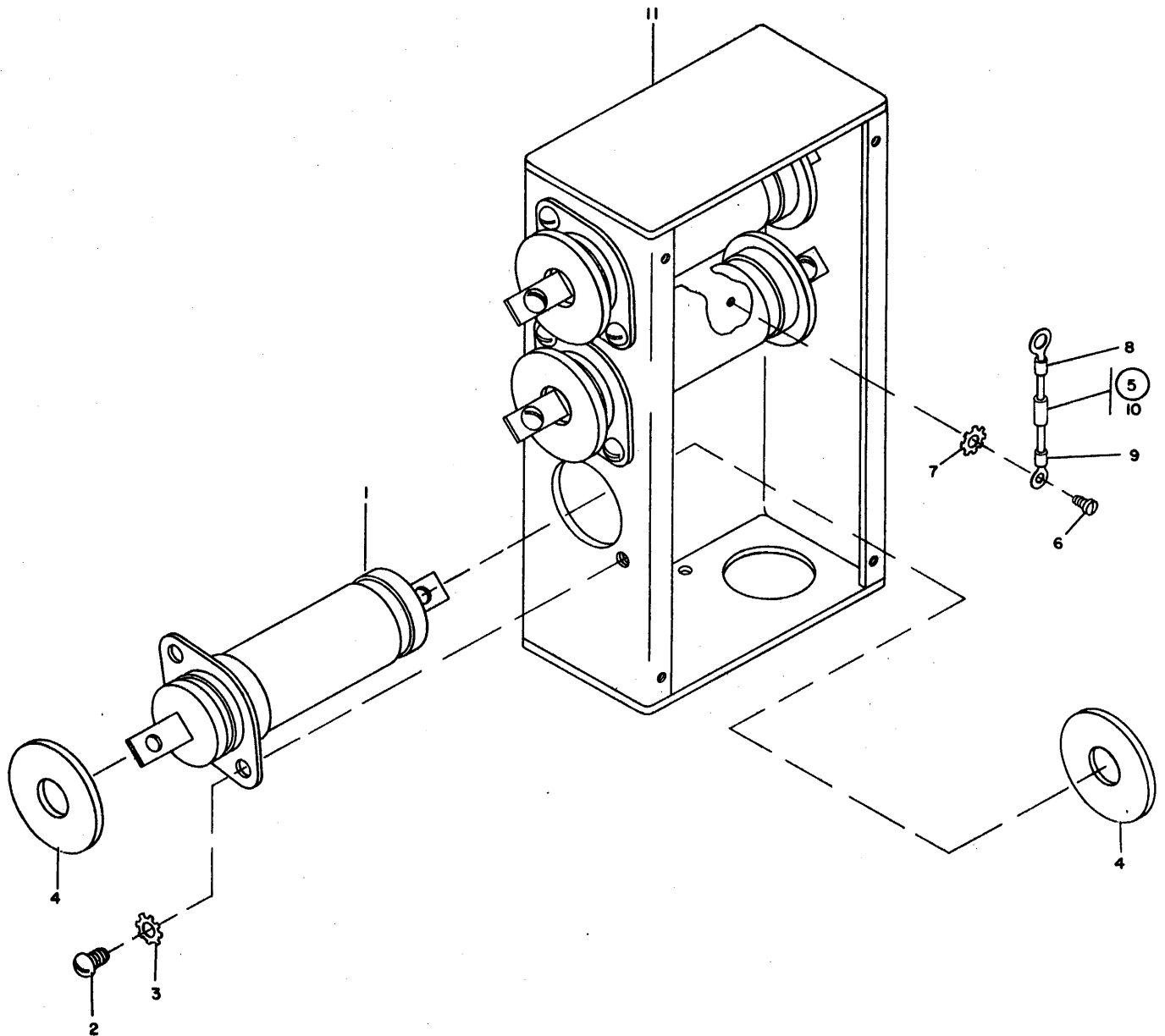


FIGURE 32. FILTER BOX ASSEMBLY. SEE LIST 32.

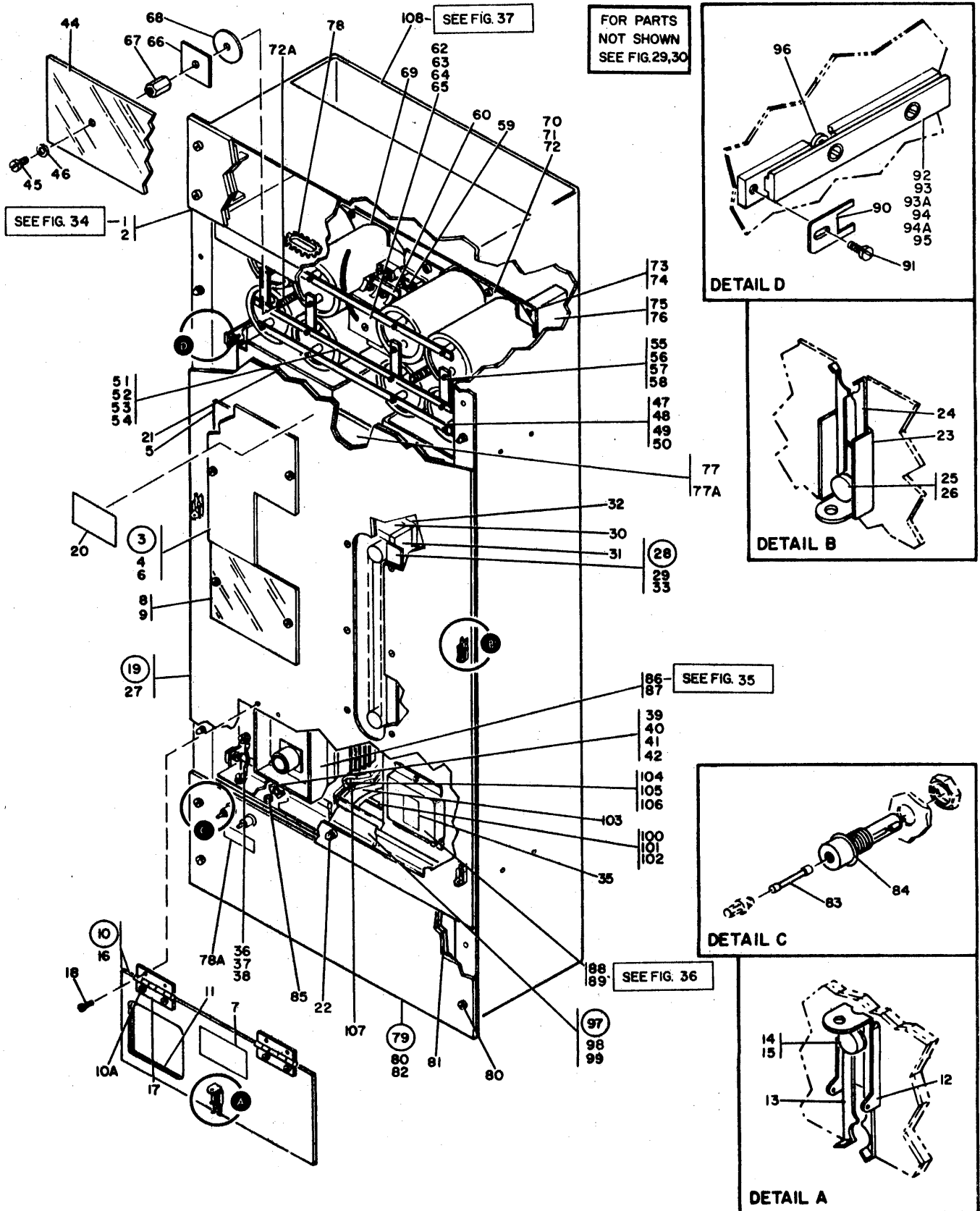


FIGURE 33. 75 AMP CONVERTER INVERTER ASSEMBLY. SEE LIST 33.

LIST AND INDEX NUMBER	PART NUMBER	DESCRIPTION				UNITS PER ASM.	USABLE ON CODE
		1	2	3	4		
		75 AMP CONVERTER INVERTER ASSEMBLY					
33 -		CODE A USED ON CONV. INV. ASM-60 HZ CODE B USED ON CONV. INV. ASM-50 HZ					
-	5703200	75 AMP CONVERTER INVERTER ASM USED PRIOR TO L9 SUFFIX				REF	A
-	5712000	SEE FIG. 29-67 FOR NEXT HIGHER ASSEMBLY AND FIG. 33 FOR ILLUSTRATION 75 AMP CONVERTER INVERTER ASM				REF	B
- 1	5712039	SEE FIG. 30-72 FOR NEXT HIGHER ASSEMBLY AND FIG. 33 FOR ILLUSTRATION • RESISTOR ASSEMBLY-UPPER COVER				1	
- 2	58207	SEE FIG. 34 FOR DETAIL BREAKDOWN • SCREW, MACH-UNDRCT BIND HD 8-32 X 1/4 LG ATT PT				4	
- 3	5261372	• CARD COVER ASM				1	
- 4	438548	• SCREW, MACH-BIND HD 4-40 X 3/16 LG ATT PT				2	
- 5	5261576	• • INSULATOR-COVER				1	
- 6	5703246	• • COVER				1	
- 7	5709006	• PLATE, INSTRUCTION				1	
- 8	5761493	• COVER-INDICATOR				1	
- 9	251970	• SCREW-MACH BD. HD. 4-40 X 1/4 LG ATT PT				2	
- 10	5261381	• COVER ASM-HINGED				1	
- 10A	55726	• SCREW, MACH-BIND HD 6-32 X .188 LG ATT PT				4	
- 11	5261577	• • INSULATOR, COVER				1	
- 12	5261595	• • GUIDE				1	
- 13	5261594	• • LATCH				1	
- 14	5261591	• • RIVET, SOLID				1	
- 15	5261383	• • WASHER, CUPPED- 15/64 ID X 7/16 OD ATT PT				1	
- 16	5703243	• • COVER, HINGED				1	
- 17	5703242	• HINGE				2	
- 18	55726	• SCREW, MACH-BIND HD 6-32 X .188 LG ATT PT				4	
- 19	5261593	• COVER ASM				1	
- 20	5261629	• • LABEL-MAIN COVER				1	
- 21	5261353	• • INSULATOR, COVER				1	
- 22	5261592	• • STUD, SPRING CLIP- 1/4 X 3/8 OD X 1/2 LG				1	
- 23	5261595	• • GUIDE				6	
- 24	5261594	• • LATCH				6	
- 25	5261591	• • RIVET, SOLID ATT PT				6	
- 26	5261383	• • WASHER, CUPPED- 15/64 ID X 7/16 OD ATT PT				6	
- 27	5703251	• • COVER				1	
- 28	5261382	• SHIELD ASM				1	
- 29	55726	• SCREW, MACH-BIND HD 6-32 X .188 LG ATT PT				6	
- 30	5261574	• • INSULATOR				2	
- 31	5261573	• • INSULATOR				2	
- 32	5261572	• • INSULATOR				1	
- 33	5261569	• • COVER-OUTPUT				1	
- 35	5261598	• PLATE, INSTRUCTION-FUSES				1	
- 36	528484	• JUMPER ASSEMBLY-GROUND				AR	
- 37	236849	SEE FIG. 79-43 FOR COMPONENT PART • SCREW, MACH-BIND HD 10-32 X 0.250 LG ATT PT				4	
- 38	56079	• WASHER, LOCK-EXT T .195 ID .410 OD ATT PT				4	
- 39	216362	• CLAMP-CABLE				1	
- 40	186758	• SCREW, MACH-BIND HD 8-32 X 0.438 ATT PT				1	
- 41	1090873	• WASHER, LOCK, SPLIT RING- .168 ID, .296 OD ATT PT				1	
- 42	22478	• WASHER, FL- 0.170 ID 0.375 OD 0.32 THK ATT PT				1	
- 44	5703253	• SHIELD, SAFETY-CAPACITOR				1	
- 45	322029	• SCREW, MACH-BIND HD 1/4-20 X 1/2 LG ATT PT				2	
- 46	3550	• WASHER, FL- 1/4 X 9/16 OD X 0.050 THK ATT PT				2	
- 47	5703256	• BUS BAR-CAPACITOR				2	
- 48	32042	• SCREW, MACH BIND. HD 10-32 X 3/8 LG. ATT PT				AR	
- 49	9092	• WASHER-LOCK, SPLIT RING, .194 ID .3370D ATT PT				8	
- 50	45690	• WASHER, FL - NO.10 X 7/16 OD X 1/32 THK ATT PT				8	
- 51	5703256	• BUS BAR-CAPACITOR				1	
- 52	32617	• SCREW, MACH-BIND HD 10-32 X 0.438 LG ATT PT				4	
- 53	9092	• WASHER-LOCK, SPLIT RING, .194 ID .3370D ATT PT				4	
- 54	45690	• WASHER, FL - NO.10 X 7/16 OD X 1/32 THK ATT PT				4	
- 55	5703255	• BUS BAR-CAPACITOR				4	
- 56	28413	• SCREW, MACH-BIND HD 10-32 X 5/16 LG ATT PT				AR	
- 56	32042	• SCREW, MACH BIND. HD 10-32 X 3/8 LG. ATT PT				AR	
- 57	9092	• WASHER-LOCK, SPLIT RING, .194 ID .3370D ATT PT				4	
- 58	45690	• WASHER, FL - NO.10 X 7/16 OD X 1/32 THK ATT PT				4	
- 59	236849	• SCREW, MACH-BIND HD 10-32 X 0.250 LG ATT PT				2	
- 60	5708938	• BUS CONNECTOR				2	
- 61	32042	• SCREW, MACH BIND. HD 10-32 X 3/8 LG. ATT PT				6	

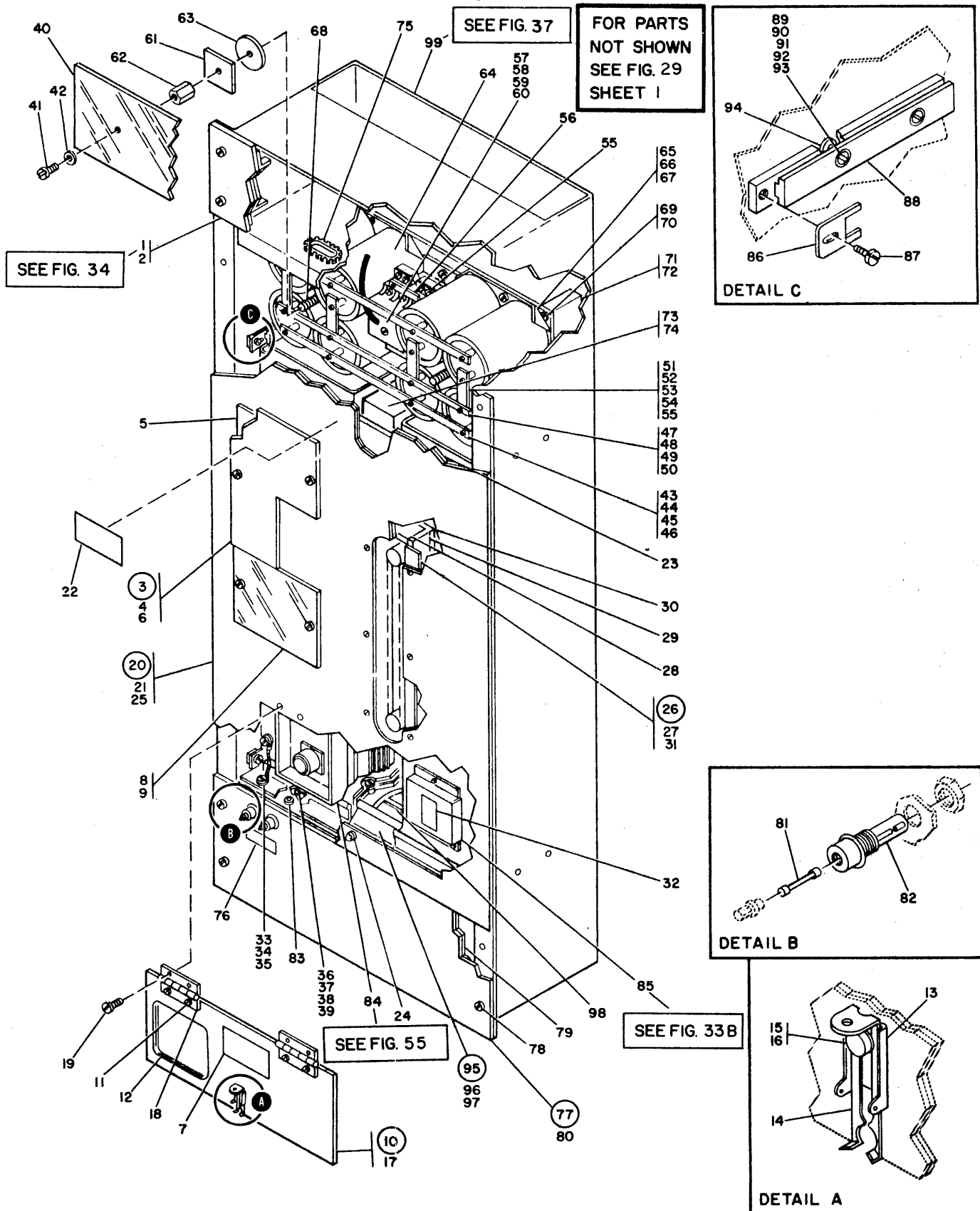
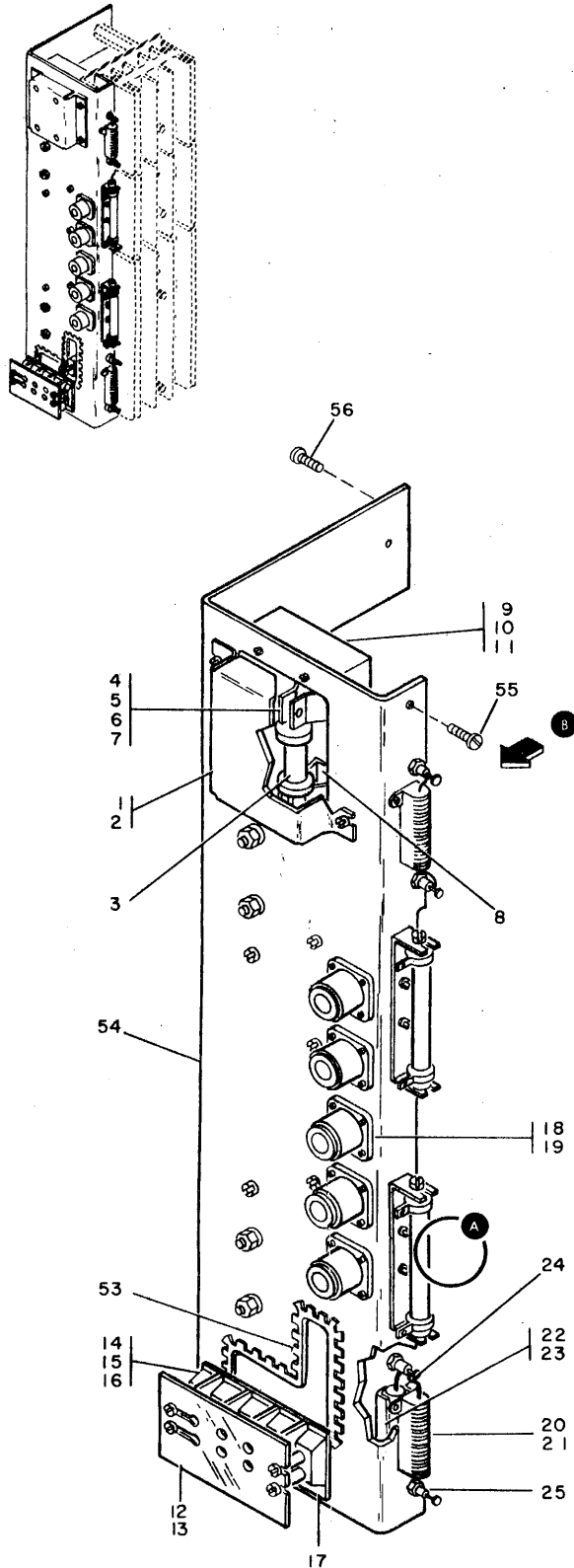


FIGURE 33A. 75 AMP. CONVERTER INVERTER ASSEMBLY. SEE LIST 33A.

LIST AND INDEX NUMBER	PART NUMBER	DESCRIPTION				UNITS PER ASM.	USABLE ON CODE
		1	2	3	4		
		75 AMP CONVERTER INVERTER ASSEMBLY					
33A-	5703200	75 AMP CONVERTER INVERTER ASM USED FROM TO CURRENT				REF	
		FOR NEXT HIGHER ASSEMBLY SEE FIG. 29-67 FOR ILLUSTRATION SEE FIG. 33A					
- 1	5712039	. RESISTOR ASSEMBLY-UPPER COVER SEE FIG. 34 FOR DETAIL BREAKDOWN				1	
- 2	58207	. SCREW,MACH-UNDRCT BIND HD 8-32 X 1/4 LG ATT PT				4	
- 3	5261372	. CARD COVER ASM				1	
- 4	438548	. SCREW,MACH-BIND HD 4-40 X 3/16 LG ATT PT				2	
- 5	5261576	. . INSULATOR,COVER				1	
- 6	5703246	. . COVER				1	
- 7	5709006	. PLATE,INSTRUCTION				1	
- 8	5761493	. COVER,INDICATOR				1	
- 9	251970	. SCREW,MACH-BIND HD 4-40 X 1/4 LG ATT PT				2	
- 10	5261381	. COVER ASM-HINGED				1	
- 11	55726	. SCREW,MACH-BIND HD 6-32 X .188 LG ATT PT				4	
- 12	5261577	. . INSULATOR,COVER				1	
- 13	5261595	. . GUIDE				1	
- 14	5261594	. . LATCH				1	
- 15	5261591	. . RIVET,SOLID				1	
- 16	5261383	. . WASHER,CUPPED- 15/64 ID X 7/16 OD ATT PT				1	
- 17	5703243	. . COVER,HINGED				1	
- 18	5703242	. HINGE				2	
- 19	55726	. SCREW,MACH-BIND HD 6-32 X .188 LG ATT PT				4	
- 20	2611709	. COVER ASSEMBLY				1	
- 21	236849	. SCREW,MACH-BIND HD 10-32 X 0.250 LG ATT PT				6	
- 22	5261629	. . LABEL-MAIN COVER				1	
- 23	5261353	. . INSULATOR,COVER				1	
- 24	5261592	. . STUD,SPRING CLIP- 1/4 X 3/8 OD X 1/2 LG				1	
- 25	2611708	. . COVER				1	
- 26	5261382	. SHIELD ASM				1	
- 27	55726	. SCREW,MACH-BIND HD 6-32 X .188 LG ATT PT				6	
- 28	5261574	. . INSULATOR				2	
- 29	5261573	. . INSULATOR				2	
- 30	5261572	. . INSULATOR				1	
- 31	5261569	. . COVER-OUTPUT				1	
- 32	5261598	. PLATE,INSTRUCTION-FUSES				1	
- 33	528484	. JUMPER ASSEMBLY,GROUND				AR	
		SEE FIG. 79-43 FOR COMPONENT PART					
- 34	236849	. SCREW,MACH-BIND HD 10-32 X 0.250 LG ATT PT				4	
- 35	56079	. WASHER,LOCK-EXT T, 0.195 ID X 0.410 OD ATT PT				4	
- 36	356742	. CLAMP,LOOP- 0.250 ID, 0.177 DIA MTG HOLE				1	
- 37	186758	. SCREW,MACH-BIND HD 8-32 X 0.438 LG ATT PT				1	
- 38	1090873	. WASHER,LOCK,SPLIT RING- 0.168 ID, 0.296 OD ATT PT				1	
- 39	22478	. WASHER,FL- 0.170 ID X 0.375 OD X 0.32 THK ATT PT				1	
- 40	5703253	. SHIELD,SAFETY- CAPACITOR				1	
- 41	322029	. SCREW,MACH-BIND HD 1/4-20 X 1/2 LG ATT PT				2	
- 42	3550	. WASHER,FL- 1/4 X 9/16 OD X 0.050 THK ATT PT				2	
- 43	5703256	. BUS BAR-CAPACITOR				2	
- 44	32042	. SCREW,MACH-BIND HD 10-32 X 3/8 LG ATT PT				4	
- 45	9092	. WASHER,LOCK,SPLIT RING, 0.194 ID X 0.337 OD ATT PT				8	
- 46	45690	. WSHER,FL- N . 10 X 7/16 OD X 1/32 THK ATT PT				8	
- 47	5703256	. BUS BAR-CAPACITOR				1	
- 48	32617	. SCREW,MACH-BIND HD 10-32 X 0.438 LG ATT PT				4	
- 49	9092	. WASHER,LOCK,SPLIT RING 0.194 ID X 0.337 OD ATT PT				4	
- 50	45690	. WASHER,FL- NO. 10 X 7/16 OD X 1/32 THK ATT PT				4	
- 51	5703255	. BUS BAR-CAPACITOR				4	
- 52	32042	. SCREW,MACH-BIND HD 10-32 X 3/8 LG ATT PT				4	
- 53	9092	. WASHER,LOCK,SPLIT RING 0.194 ID X 0.337 OD ATT PT				4	
- 54	45690	. WASHER,FL- NO. 10 X 7/16 OD X 1/32 THK ATT PT				4	
- 55	236849	. SCREW,MACH-BIND HD 10-32 X 0.250 LG ATT PT				2	
- 56	5708938	. BUS CONNECTOR				2	
- 57	5276703	. CONTACTOR,MAGNETIC- 50 HZ				1	
- 58	28413	. SCREW,MACH-BIND HD 10-32 X 5/16 LG ATT PT				2	
- 59	56079	. WASHER,LOCK-EXT TOOTH 0.195 ID X 0.410 OD ATT PT				2	
- 60	45690	. WASHER,FL- NO. 10 X 7/16 OD X 1/32 THK ATT PT				2	
- 61	5703249	. CLAMP-CAPACITOR				2	
- 62	222027	. SPACER-HEX 1/4-20 THD THRU HOLE 1 LG OA ATT PT				2	
- 63	5703248	. CLAMP-CAPACITOR				2	
- 64	5261442	. CAPACITOR,FIXED, ELECT- 3200 UF 200V				8	
- 65	5703247	. BASE				2	
- 66	236849	. SCREW,MACH-BIND HD 10-32 X 0.250 LG ATT PT				8	
- 67	56079	. WASHER,LOCK-EXT T 0.195 ID X 0.410 OD ATT PT				8	



FOR PARTS
NOT SHOWN
SEE FIG. 33A

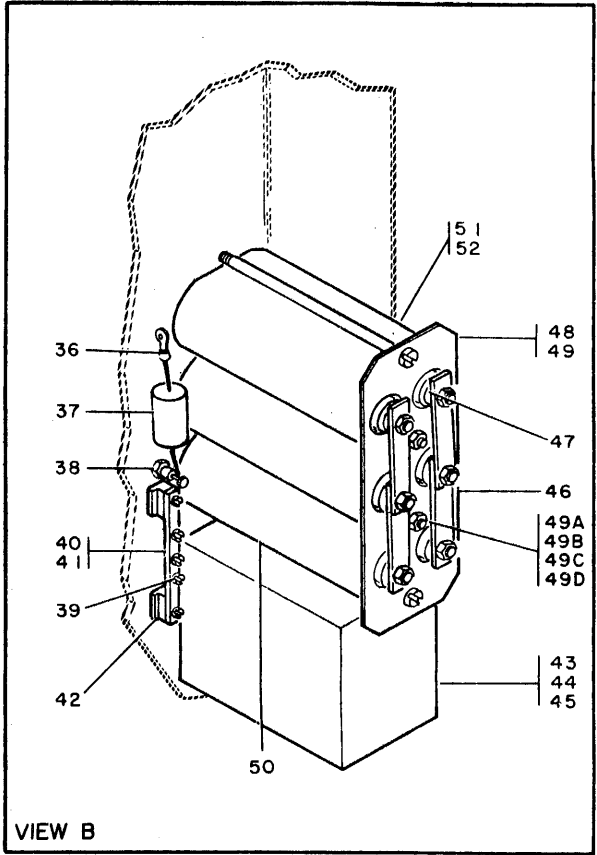
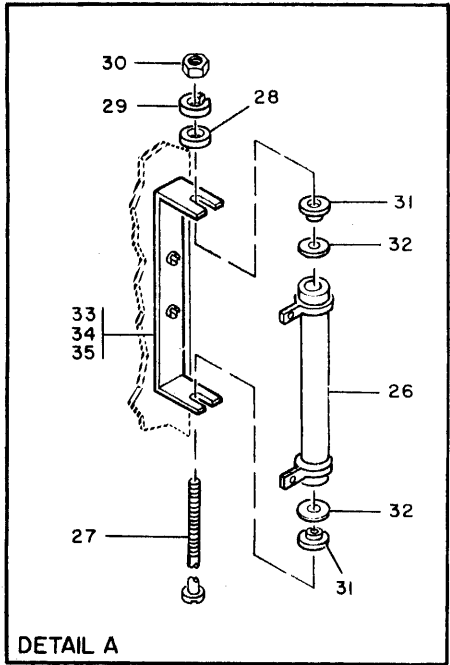
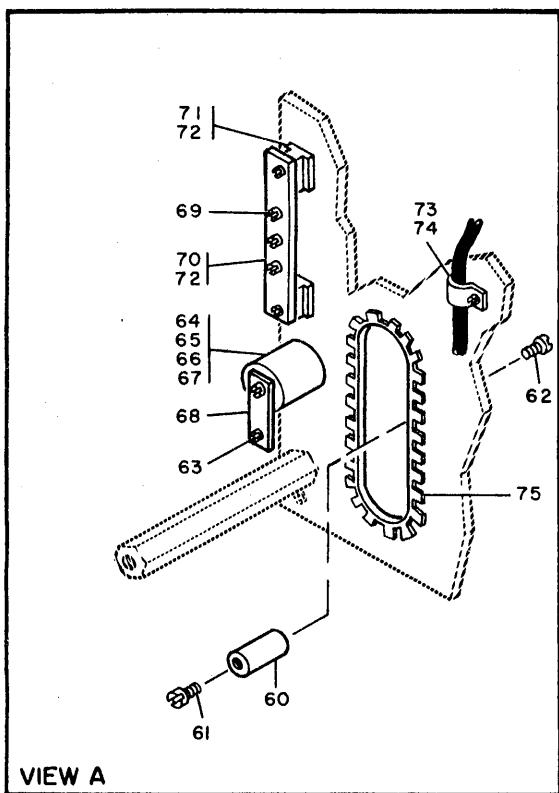
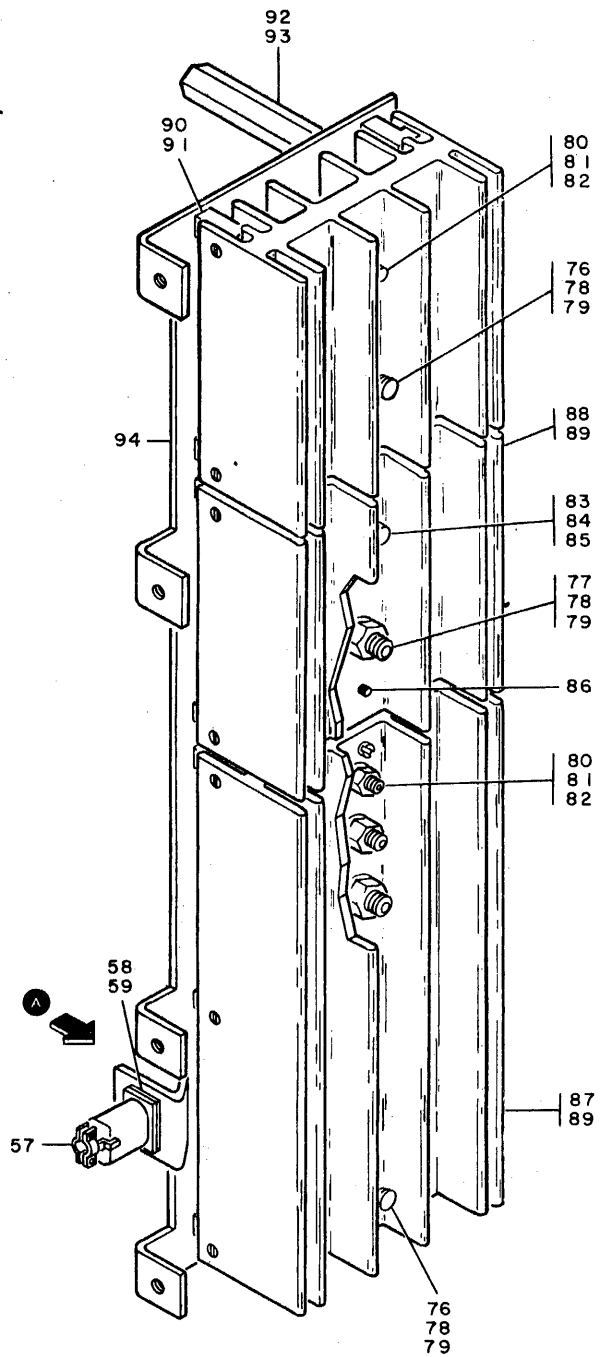
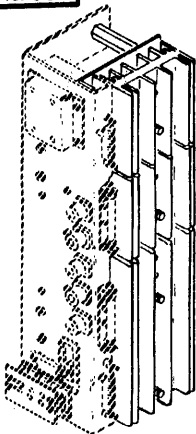


FIGURE 33B. 75 AMP INVERTER SECTION ASSEMBLY. SHEET 1 OF 2. INDEX NOS. 1-56. SEE LIST 33B.

LIST AND INDEX NUMBER	PART NUMBER	DESCRIPTION				UNITS PER ASM.	USABLE ON CODE
		1	2	3	4		
		75 AMP INVERTER SECTION ASSEMBLY					
338-	2572735	75 AMP INVERTER SECTION ASSEMBLY FOR NEXT HIGHER ASSEMBLY SEE FIG. 33A-85 FOR ILLUSTRATION SEE FIG. 33B				REF	
- 1	5703215	• SHIELD,FUSE				1	
- 2	10170	• SCREW,MACH-BIND HD 6-32 X 1/4 LG				2	
- 3	5261451	• FUSE,CARTRIDGE- 50 AMP 250V				2	
- 4	5703220	• PLATE,LOCKING-FUSE				4	
- 5	5703213	• STUD-FUSE BLOCK MTG				4	
- 6	6935	• WASHER,LOCK-SPLIT 1/4 X 0.493 OD				2	
- 7	36109	• NUT,PLAIN,HEX- 1/4-20 X 7/16 FL W				4	
- 8	5703214	• PLATE,LOCKING-FUSE				4	
- 9	5703212	• BLOCK-FUSE MTG				1	
- 10	332620	• SCREW,MACH-BIND HD 10-32 X 1/2 LG				4	
- 11	56079	• WASHER,LOCK-EXT T 0.195 ID X 0.410 OD				4	
- 12	5703264	• SHIELD,SAFETY				1	
- 13	210984	• SCREW,RD HD MACH- 6-32 X 0.250 LG				1	
- 14	5261460	• TERMINAL BOARD- 3 POS				1	
- 15	5703257	• STUD-SHIELD MTG				3	
- 16	5703258	• STUD-TAPPED				1	
- 17	5703260	• MARKER STRIP- 3 POS				1	
- 18	368353	• RECEPTACLE				5	
- 19	338238	• SCREW,MACH-BIND HD 4-40 X 0.3125 LG				20	
- 20	5240462	• RESISTOR,FXD,WW- 150 OHMS P/M 5% 50W				2	
- 21	438548	• SCREW,MACH-BIND HD 4-40 X 3/16 LG				4	
- 22	5703207	• CLIP				2	
- 23	48594	• SCREW,MACH-BIND HD 6-32 X 0.250 LG				4	
- 24	5213874	• CAPACITOR,FXD,PAPER DIELECTRIC, OIL UF				2	
- 25	5261458	• TERMINAL,INSULATED FEED THRU				4	
- 26	5261439	• RESISTOR,FXD,WW 30 OHMS P/M 5% 35W				2	
- 27	331982	• SCREW,MACH RD HD 8-32 X 1-1/4 LG				2	
- 28	22478	• WASHER,FL- 0.170 ID X 0.375 OD X 0.32 THK				2	
- 29	1090873	• WASHER,LOCK,SPLIT RING- 0.168 ID X 0.296 OD				2	
- 30	257189	• NUT,HEX- 8-32				2	
- 31	510468	• WASHER,CUPPED- 1/5 IN X 0.029 DIA				4	
- 32	321603	• WASHER,INSULATING 5/8 OD X 0.031 THK				4	
- 33	5703265	• BRACKET-RESISTOR MTG				2	
- 34	251970	• SCREW,MACH-BIND HD 4-40 X 1/4 LG				4	
- 35	56722	• WASHER,LOCK-EXT T NO. 6				4	
- 36	334921	• TERMINAL-RING, 18-22 AWG, NO. 6 HOLE, INS				2	
- 37	477974	• CAPACITOR,FXD,FILM- 0.47 MFD P/M 10% 400V				2	
- 38	5261459	• TERMINAL,STANDOFF				2	
- 39	28413	• SCREW,MACH-BIND HD 10-32 X 5/16 LG				6	
- 40	2572728	• BUS BAR				2	
- 41	80651	• SCREW,THD CUTTING-PAN HD 6-32 X 0.375 LG				8	
- 42	473531	• INSULATOR				4	
- 43	5261445	• COIL,R F				2	
- 44	3960	• NUT,PLAIN-HEX 1/4-20 X 7/16 FL W				4	
- 45	76574	• WASHER,LOCK,EXT T 0.267 ID X 0.510 OD				4	
- 46	5703259	• BUS BAR-CAPACITOR				4	
- 47	161351	• WASHER,PLAIN FLAT				2	
- 48	2572729	• PLATE,CAPACITOR MOUNTING				1	
- 49	332620	• SCREW,MACH-BIND HD 10-32 X 1/2 LG				2	
- 49A	2572789	• SCREW,FIL HD MACH, 6-32 NC				2	
- 49B	257986	• WASHER,FLAT NO. 6				2	
- 49C	6364	• WASHER,LOCK-SPLIT NO. 6X 1/4 OD				2	
- 49D	257187	• NUT,PLAIN,HEX-6-32				2	
- 50	5261388	• CAPACITOR,COMMUTATING- 2UF 400V DC				3	
- 51	5703211	• STANDOFF				2	
- 52	332620	• SCREW,MACH-BIND HD 10-32 X 1/2 LG				2	
- 53	730432	• GROMMET,CATERPILLAR				AR	
- 54	2572724	• CHASSIS,INVERTER SEC, 75 AMP-C/I				1	
- 55	32042	• SCREW,MACH-BIND HD 10-32 X 3/8 LG				4	
- 56	55918	• SCREW,MACH-BIND HD 10-32 X 5/8 LG				2	

FOR PARTS
NOT SHOWN
SEE FIG. 33A



VIEW A

FIGURE 338. 75 AMP INVERTER SECTION ASSEMBLY. SHEET 2 OF 2. INDEX NOS. 57-94. SEE LIST 338.

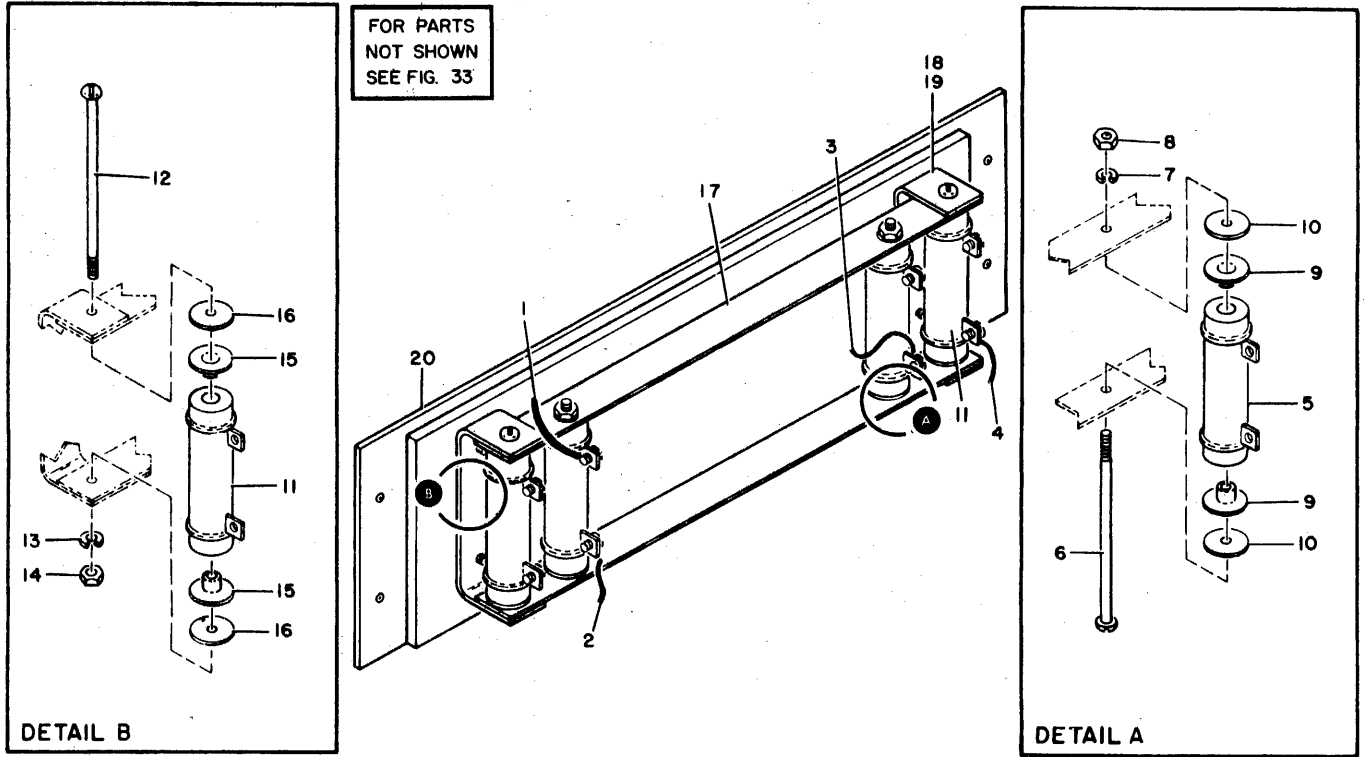


FIGURE 34. UPPER COVER RESISTOR ASSEMBLY. SEE LIST 34.

LIST AND INDEX NUMBER	PART NUMBER	DESCRIPTION	UNITS PER ASM.				USABLE ON CODE
			1	2	3	4	
		UPPER COVER RESISTOR ASSEMBLY					
34 -	5712039	RESISTOR ASSEMBLY-UPPER COVER SEE FIG. 33-1 FOR NEXT HIGHER ASSEMBLY AND FIG. 34 FOR ILLUSTRATION					REF
- 1	5758602	• JUMPER ASM- NO 8					2
- 2	5758615	• JUMPER ASM- NO 8					1
- 3	5758616	• JUMPER ASM- NO 8					1
- 4	5759610	• JUMPER ASM- NO 8					1
- 5	5261435	• RESISTOR,FXD,WW- 0.05 OHMS P/M 15% 155W					6
- 6	223410	• SCREW,MACH-RH 10-32 X 4-3/4 LG			ATT PT		6
- 7	56079	• WASHER,LOCK-EXT T .195 ID .410 OD			ATT PT		6
- 8	11598	• NUT,PLAIN-HEX 10-32 X 3/8 FL W			ATT PT		6
- 9	515380	• WASHER-CENTERING					12
- 10	515381	• WASHER,MICA					12
- 11	5261435	• RESISTOR,FXD,WW- 0.05 OHMS P/M 15% 155W					2
- 12	515718	• SCREW-FIL HD, NO. 8-32 X 5 IN LG			ATT PT		2
- 13	1090873	• WASHER,LOCK,SPLIT RING- .168 ID, .296 OD			ATT PT		2
- 14	257189	• NUT,HEX- 8-32			ATT PT		2
- 15	515380	• WASHER-CENTERING					4
- 16	515381	• WASHER,MICA					4
- 17	5712028	• BAR,RESISTOR MOUNTING					2
- 18	5712027	• BRACKET,RESISTOR					2
- 19	32042	• SCREW, MACH BIND. HD 10-32 X 3/8 LG.			ATT PT		4
- 20	5261599	• COVER ASM-TOP					1

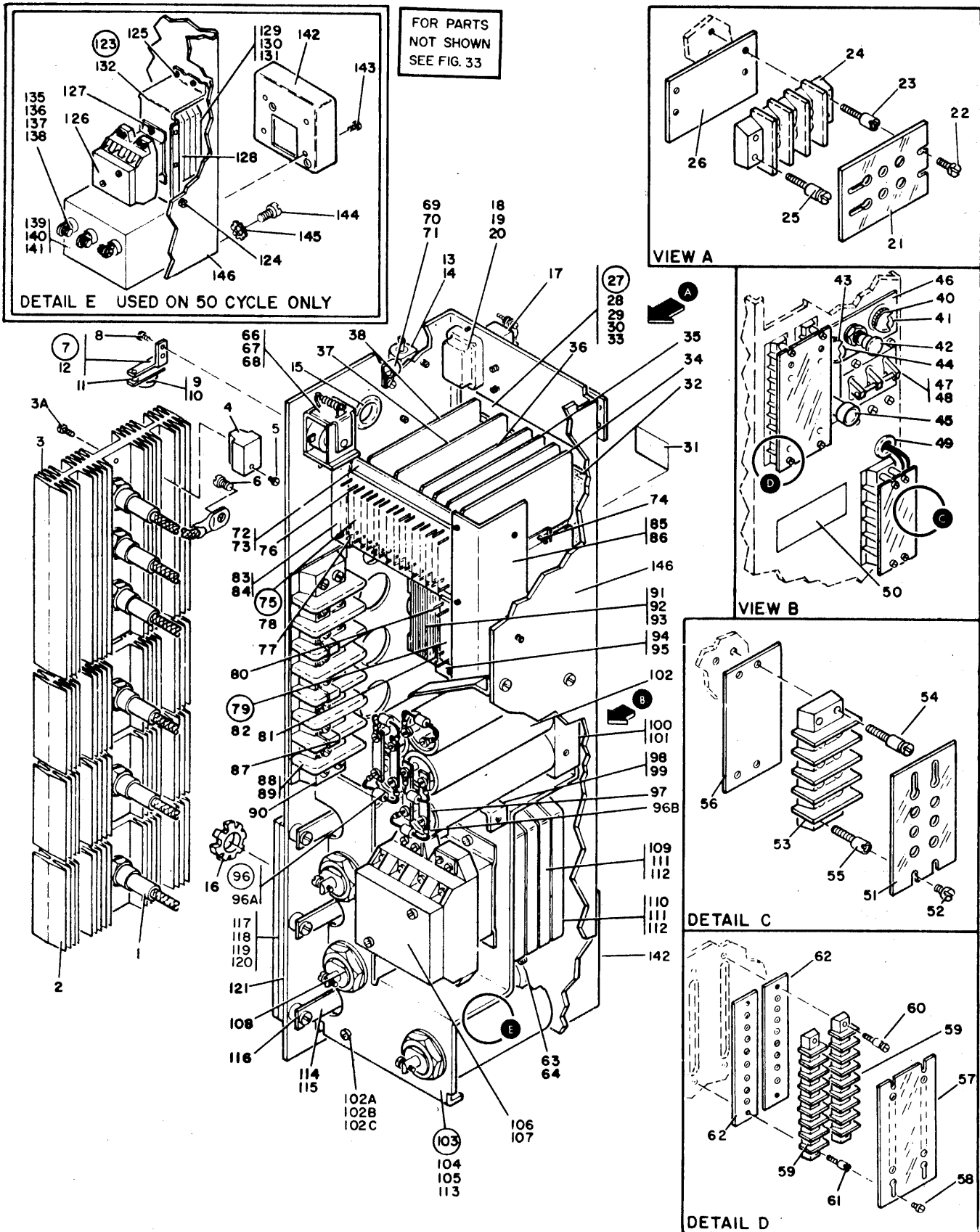


FIGURE 35. 75 AMP CONVERTER ASSEMBLY. SEE LIST 35.

LIST AND INDEX NUMBER	PART NUMBER	DESCRIPTION				UNITS PER ASM.	USABLE ON CODE
		1	2	3	4		
		75 AMP CONVERTER ASSEMBLY					
35 -		CODE A USED ON CONVERTER ASM-60 HZ CODE B USED ON CONVERTER ASM-50 HZ					
-	5703223	75 AMP CONVERTER ASM-60 HZ				REF	A
-	5712003	75 AMP CONVERTER ASM-50 HZ				REF	B
		SEE FIG. 33-86 FOR NEXT HIGHER ASSEMBLY AND FIG. 35 FOR ILLUSTRATION					
- 1	5261456	. RECTIFIER, SILICON				6	
- 2	5703239	. HEATSINK-DIODE MTG				3	
- 3	5703238	. HEATSINK-DIODE MTG				1	
- 3A	79779	. SCREW, THD CTG-BIND HD NO. 6 X 3/4 LG ATT PT				10	
- 4	473531	. INSULATOR				10	
- 5	473544	. SCREW, BINDING HEAD SELF TAP NO 6 1/2 IN ATT PT				9	
- 6	32042	. SCREW, MACH BIND. HD 10-32 X 3/8 LG.				4	
- 7	5762133	. SWITCH ASM				1	
- 8	251970	. SCREW-MACH BD. HD. 4-40 X 1/4 LG ATT PT				2	
- 9	5257518	. THERMOSWITCH				1	
- 10	507234	. SCREW, MACH-BIND HD 4-40 X 3/8 LG ATT PT				2	
- 11	483111	. SPACER				2	
- 12	5762119	. BRACKET-THERMAL SWITCH				1	
- 13	5261438	. RESISTOR, FIXED-WW 750 OHMS P/M 3% 50W				2	
- 14	338238	. SCREW, MACH-BD HD 4-40 NC X .3125 LG ATT PT				4	
- 15	313997	. GROMMET, RUB-FOR 7/8 HOLE X 1/16 PNL				1	
- 16	730432	. GROMMET, CATERPILLAR				1	
- 17	204464	. CONNECTOR, PLUG, ELEC- 4 MALE CONTACTS				1	
- 18	5213765	. CONNECTOR, RECP, ELEC-4 FEMAL CONTACTS				1	
- 19	251970	. SCREW-MACH BD. HD. 4-40 X 1/4 LG ATT PT				AR	
- 20	150209	. WASHER, LOCK-INT TEETH NO. 4 X 17/64 OD				AR	
- 21	5703264	. SHIELD, SAFETY				1	
- 22	210984	. SCREW, RD HD MACH-6-32 X .250 LG ATT PT				1	
- 23	5703258	. STUD-TAPPED				1	
- 24	5261460	. TERMINAL BOARD-3 POS				1	
- 25	5703257	. STUD-SHIELD MTG ATT PT				3	
- 26	5703260	. MARKER STRIP-3 POS				1	
- 27	5712046	. RETAINER ASM-CARDS, 75 AMP C/I				1	
- 28	332620	. SCREW, MACH-BIND HD 10-32 X 1/2 LG ATT PT				2	
- 29	45690	. WASHER, FL - NO.10 X 7/16 OD X 1/32 THK ATT PT				2	
- 30	9092	. WASHER-LOCK, SPLIT RING, .194 ID .337OD ATT PT				2	
- 31	5261304	. LABEL				1	
- 32	349736	. SEAL				1	
- 33	5712044	. PLATE, CARD RETAINER				1	
- 34	374223	. CARD ASM				1	
- 35	374982	. CARD ASM				2	
- 36	374785	. CARD ASM				1	
- 37	374788	. CARD ASM				1	
- 38	375316	. CARD ASSEMBLY				1	
- 40	5261463	. LAMP HOLDER-AMBER LENS				1	
- 41	5212657	. LAMP				1	
- 42	220918	. CIRCUIT BREAKER- 1 POLE 30V DC 5 AMP				1	
- 43	5261465	. LAMP HOLDER-GREEN LENS				1	
- 44	2414970	. LAMP, INCANDESCENT				1	
- 45	5261449	. SWITCH, PUSHBUTTON-SPST				1	
- 46	5703241	. NAMEPLATE				1	
- 47	5213479	. CIRCUIT BREAKER, 3 POLE SPDT				1	
- 48	10170	. SCREW, MACH-BIND HD 6-32 X 1/4 LG ATT PT				6	
- 49	317138	. GROMMET, RUB-FOR 7/16 HOLE X 1/8 PNL				1	
- 50	5261702	. LABEL, CONVERTER				1	A
- 50	5261609	. LABEL				1	B
- 51	187858	. SHIELD, TERMINAL BLOCK- 30 AMP 4 POS				1	
- 52	210984	. SCREW, RD HD MACH-6-32 X .250 LG ATT PT				1	
- 53	91469	. TERMINAL BOARD- 4 DBL SCREW TERMINALS				1	
- 54	210986	. STUD-SHIELD MOUNTING ATT PT				3	
- 55	210985	. STUD, EXT-INT 6-32 EXT 8-32 X 0.900 LG OA ATT PT				1	
- 56	589759	. STRIP-MARKER				1	
- 57	5703244	. SHIELD-TERMINAL BOARD				1	
- 58	210984	. SCREW, RD HD MACH-6-32 X .250 LG ATT PT				1	
- 59	5261450	. TERMINAL BOARD-8 POS				2	
- 60	210884	. STUD-SHIELD MTG, NO. 6-32 ATT PT				3	
- 61	210883	. STUD-SHIELD MTG, TAPPED, NO. 6-32 ATT PT				1	
- 62	5261416	. MARKER STRIP-8 POS				2	
- 63	5261453	. CONNECTOR, RECP, ELEC-7 MALE CONTACTS				1	A
- 64	38235	. SCREW, MACH-BIND HD 6-32 X 0.312 LG ATT PT				4	
- 66	2128689	. RELAY, 3 POLE DT 472 OHM 24 VOLT D.C. COIL				1	

LIST AND INDEX NUMBER	PART NUMBER	DESCRIPTION	UNITS PER ASM.	USABLE ON CODE
35 - 67	257187	. NUT,PLAIN,HEX- 6-32 X 3/8 FL W	ATT PT	1
- 68	6364	. WASHER,LOCK-SPLIT NO. 6 X 1/4 OD	ATT PT	1
- 69	101922	. CLAMP,LOOP- 1/2 ID 11/64 DIA MTG HOLE		1
- 70	10170	. SCREW,MACH-BIND HD 6-32 X 1/4 LG	ATT PT	1
- 71	6364	. WASHER,LOCK-SPLIT NO. 6 X 1/4 OD	ATT PT	1
- 72	5703236	. T-BAR,CARD BLOCK MTG		2
- 73	55726	. SCREW,MACH-BIND HD 6-32 X .188 LG	ATT PT	4
- 74	216085	. GUIDE-CARD 8 POSITION LONG		1
- 75	216083	. CARD RECEPTACLE ASSEMBLY		1
- 76	216087	. . SPRING-CONTACT		64
- 77	216088	. . SPRING-CONTACT		64
- 78	216082	. . CARD RECEPTACLE- 8 POSITION		1
- 79	216076	. TERMINAL BLOCK AND CONTACT ASSEMBLY		1
- 80	216087	. . SPRING-CONTACT		8
- 81	216088	. . SPRING-CONTACT		7
- 82	216073	. . TERMINAL BLOCK AND CONTACT ASSEMBLY		1
- 83	5703228	. BRACKET-CARD BLOCK MTG		1
- 84	236849	. SCREW,MACH-BIND HD 10-32 X 0.250 LG	ATT PT	2
- 85	5703237	. BRACKET-CARD BLOCK MOUNTING		1
- 86	236849	. SCREW,MACH-BIND HD 10-32 X 0.250 LG	ATT PT	2
- 87	5261434	. JUMPER-TERM STRIP		3
- 88	5261461	. TERMINAL BOARD-7 POS		1
- 89	5528	. SCREW,MACH BIND HD 8-32 X .625 LG	ATT PT	AR
- 90	5261426	. MARKER STRIP-7 POS		1
- 91	5261443	. TRANSFORMER-POWER STEP DOWN		1
- 92	236849	. SCREW,MACH-BIND HD 10-32 X 0.250 LG	ATT PT	4
- 93	56079	. WASHER,LOCK-EXT T .195 ID .410 OD	ATT PT	4
- 94	5703250	. RETAINER		1
- 95	55726	. SCREW,MACH-BIND HD 6-32 X .188 LG	ATT PT	1
- 96	5261355	. RESISTOR ASM-3.9K P/M 5% 1/2 W		5
- 96A	317022	. . RESISTOR,FIXED,COMP- 3.9K P/M 5% 1/2WATT		1
- 96B	334932	. . TERMINAL-RING,18-22 AWG, NO. 10 HOLE, INS		2
- 97	5261596	. BUS BAR-AC CAPACITOR		4
- 98	5703233	. RETAINING STRAP-CAPACITOR		1
- 99	38235	. SCREW,MACH-BIND HD 6-32 X 0.312 LG	ATT PT	2
-100	5703231	. BRACKET-CAPACITOR MTG		1
-101	28413	. SCREW,MACH-BIND HD 10-32 X 5/16 LG	ATT PT	2
-102	208237	. CAPACITOR,FXD,ELEC-4000UF P150 M10 30VDC		5
-102A	32042	. SCREW, MACH BIND. HD 10-32 X 3/8 LG.		1
-102B	56079	. WASHER,LOCK-EXT T .195 ID .410 OD		1
-102C	11598	. NUT,PLAIN-HEX 10-32 X 3/8 FL W		1
-103	5261452	. COMPONENT MTG ASM		1
-104	186759	. SCREW,MACH-BIND HD 8-32 X 5/16 LG	ATT PT	2
-105	28413	. SCREW,MACH-BIND HD 10-32 X 5/16 LG	ATT PT	2
-106	5261448	. . RELAY-24 VDC COIL		1
-107	236849	. . SCREW,MACH-BIND HD 10-32 X 0.250 LG	ATT PT	2
-108	5261446	. . FILTER-RFI		3
-109	5261436	. . RESISTOR,FIXED-WW 5 OHMS P/M 10% 150W		3
-110	5261437	. . RESISTOR,FIXED-WW 750 OHMS P/M 10% 150W		1
-111	438605	. . SCREW,MACH-UNDRCT BIND H 10-32X2-3/4 LG	ATT PT	2
-112	45690	. . WASHER, FL - NO.10 X 7/16 OD X 1/32 THK	ATT PT	2
-113	5703226	. . BRACKET-FILTER,CONN,RES MTG		1
-114	5703230	. TAB-BUS BAR		3
-115	32042	. SCREW, MACH BIND. HD 10-32 X 3/8 LG.	ATT PT	3
-116	5703229	. BUSHING-INSULATING		3
-117	5703234	. BUS BAR		1
-118	507796	. SCREW,MACH-BIND HD 10-32 X 1 LG	ATT PT	1
-119	9092	. WASHER-LOCK,SPLIT RING, .194 ID .337OD	ATT PT	3
-120	11598	. NUT,PLAIN-HEX 10-32 X 3/8 FL W	ATT PT	3
-121	5703235	. INSULATOR-BUS BAR		1
-123	5712004	. SUB ASM-COMPONENT MOUNTING		1
-124	28413	. SCREW,MACH-BIND HD 10-32 X 5/16 LG	ATT PT	3
-125	186759	. SCREW,MACH-BIND HD 8-32 X 5/16 LG	ATT PT	2
-126	5261448	. . RELAY-24 VDC COIL		1
-127	236849	. . SCREW,MACH-BIND HD 10-32 X 0.250 LG	ATT PT	1
-128	5261436	. . RESISTOR,FIXED-WW 5 OHMS P/M 10% 150W		3
-129	5261437	. . RESISTOR,FIXED-WW 750 OHMS P/M 10% 150W		1
-130	438605	. . SCREW,MACH-UNDRCT BIND H 10-32X2-3/4 LG	ATT PT	2
-131	45690	. . WASHER, FL - NO.10 X 7/16 OD X 1/32 THK	ATT PT	2
-132	5762429	. . BRACKET		1
-135	36844	. SCREW,CAP-HEX HD SLOTTED 1/4-20 X 5/8 LG		3
-136	3550	. WASHER,FL- 1/4 X 9/16 OD X 0.050 THK		3
-137	6935	. WASHER,LOCK-SPLIT 1/4 X 0.493 OD		3
-138	3960	. NUT,PLAIN,HEX- 1/4-20 X 7/16 FL W		3
-139	5213728	. FILTER-3 SECT,40 AMP,250 VAC,50/60CPS		1
-140	11598	. NUT,PLAIN-HEX 10-32 X 3/8 FL W	ATT PT	3

FOR PARTS
NOT SHOWN
SEE FIG. 33

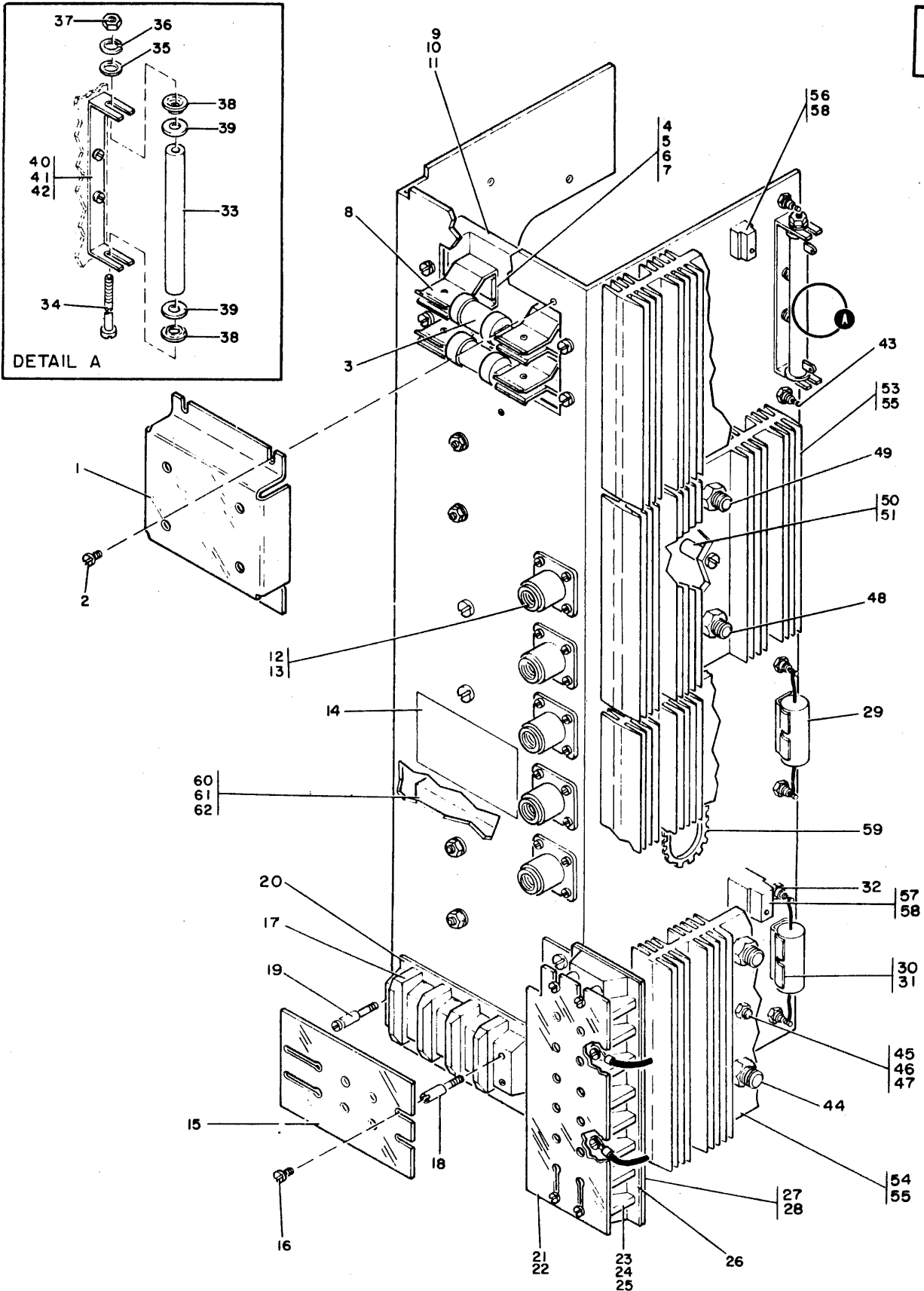


FIGURE 36. 75 AMP INVERTER SECTION ASSEMBLY. SHEET 1 OF 2. INDEX NOS. 1-62. SEE LIST 36.

LIST AND INDEX NUMBER	PART NUMBER	DESCRIPTION	UNITS	USABLE
			PER ASM.	ON CODE
		1 2 3 4		
		75 AMP INVERTER SECTION ASSEMBLY		
36 -	5703202	75 AMP INVERTER SECTION ASM SEE FIG. 33-88 FOR NEXT HIGHER ASSEMBLY AND FIG. 36 FOR ILLUSTRATION	REF	
- 1	5703215	• SHIELD-FUSE	1	
- 2	10170	• SCREW,MACH-BIND HD 6-32 X 1/4 LG	3	
- 3	5261451	• FUSE,CARTRIDGE-50 AMP 250V	2	
- 4	5703214	• PLATE,LOCKING-FUSE	4	
- 5	5703213	• STUD-FUSE BLOCK MTG	4	
- 6	6935	• WASHER,LOCK-SPLIT 1/4 X 0.493 OD	4	
- 7	36109	• NUT,PLAIN,HEX- 1/4-20 X 7/16 FL W	4	
- 8	5703220	• CONTACT	4	
- 9	5703212	• BLOCK-FUSE MTG	1	
- 10	332620	• SCREW,MACH-BIND HD 10-32 X 1/2 LG	4	
- 11	56079	• WASHER,LOCK-EXT T .195 ID .410 OD	4	
- 12	368353	• RECEPTACLE	5	
- 13	338238	• SCREW, MACH-BD HD 4-40 NC X .3125 LG	20	
- 14	5261701	• LABEL, INVERTER	1	
- 15	5703264	• SHIELD,SAFETY	1	
- 16	210984	• SCREW, RD HD MACH-6-32 X .250 LG	1	
- 17	5261460	• TERMINAL BOARD-3 POS	1	
- 18	5703258	• STUD-TAPPED	1	
- 19	5703257	• STUD-SHIELD MTG	3	
- 20	5703260	• MARKER STRIP-3 POS	1	
- 21	5712033	• SHIELD,TERMINAL BOARD	1	
- 22	210984	• SCREW, RD HD MACH-6-32 X .250 LG	1	
- 23	5213922	• TERMINAL BOARD,6 POSITION	1	
- 24	5703257	• STUD-SHIELD MTG	3	
- 25	5703258	• STUD-TAPPED	1	
- 26	5712029	• MARKER STRIP,TERMINAL BOARD	1	
- 27	5712026	• BRACKET, MTG	1	
- 28	186759	• SCREW,MACH-BIND HD 8-32 X 5/16 LG	2	
- 29	5213874	• CAPACITOR,FXD,PAPER DIELECTRIC,0.1UF	2	
- 30	5703207	• CLIP, COMPONENT	2	
- 31	48594	• SCREW,MACH-BIND HD 6-32 X 0.250 LG	4	
- 32	5261458	• TERMINAL-INSULATED FEED THRU	2	
- 33	5261439	• RESISTOR,FIXED-WW 30 OHMS P/M 5% 35W	2	
- 34	331982	• SCREW,MACH RD HD 8-32 X 1-1/4 LG	2	
- 35	22478	• WASHER,FL- 0.170 ID 0.375 OD 0.32 THK	2	
- 36	1090873	• WASHER,LOCK,SPLIT RING- .168 ID, .296 OD	2	
- 37	257189	• NUT,HEX- 8-32	2	
- 38	510468	• WASHER,CUPPED- 1/5IN X .029 DIA	4	
- 39	321603	• WASHER,INSULATING 5/8 OD X 0.031 THK	4	
- 40	5703265	• BRACKET-RESISTOR MTG	2	
- 41	251970	• SCREW-MACH BD. HD. 4-40 X 1/4 LG	4	
- 42	56722	• WASHER,LOCK-EXT TEETH NO. 6	4	
- 43	5261458	• TERMINAL-INSULATED FEED THRU	4	
- 44	5261454	• SEMICONDUCTOR DEVICE-CONTROLLED RECT	4	
- 45	55918	• SCREW,MACH-BIND HD 10-32 X 5/8 LG	4	
- 46	56079	• WASHER,LOCK-EXT T .195 ID .410 OD	4	
- 47	11598	• NUT,PLAIN-HEX 10-32 X 3/8 FL W	4	
- 48	5261457	• SEMICONDUCTOR DEVICE-CONTROLLED RECT	2	
- 49	5213925	• RECTIFIER	2	
- 50	5703206	• HEATSINK	2	
- 51	38235	• SCREW,MACH-BIND HD 6-32 X 0.312 LG	2	
- 52	322065	• SCREW,MACH-BIND HD 6-32 X 5/8 LG	2	
- 53	5703204	• HEATSINK-INVERTER	2	
- 54	5712036	• HEAT SINK-INVERTER	2	
- 55	79779	• SCREW,THD CTG-BIND HD NO. 6 X 3/4 LG	12	
- 56	473531	• INSULATOR	9	
- 57	5712035	• INSULATOR,HEAT	3	
- 58	473544	• SCREW,BINDING HEAD SELF TAP NO 6 1/2 IN	12	
- 59	730432	• GROMMET,CATERPILLAR	1	
- 60	5261445	• COIL,RF	2	
- 61	3960	• NUT,PLAIN,HEX- 1/4-20 X 7/16 FL W	4	
- 62	76574	• LOCKWASHER-EXT TOOTH ID .267 X OD .510	4	

FOR PARTS
NOT SHOWN
SEE FIG. 33

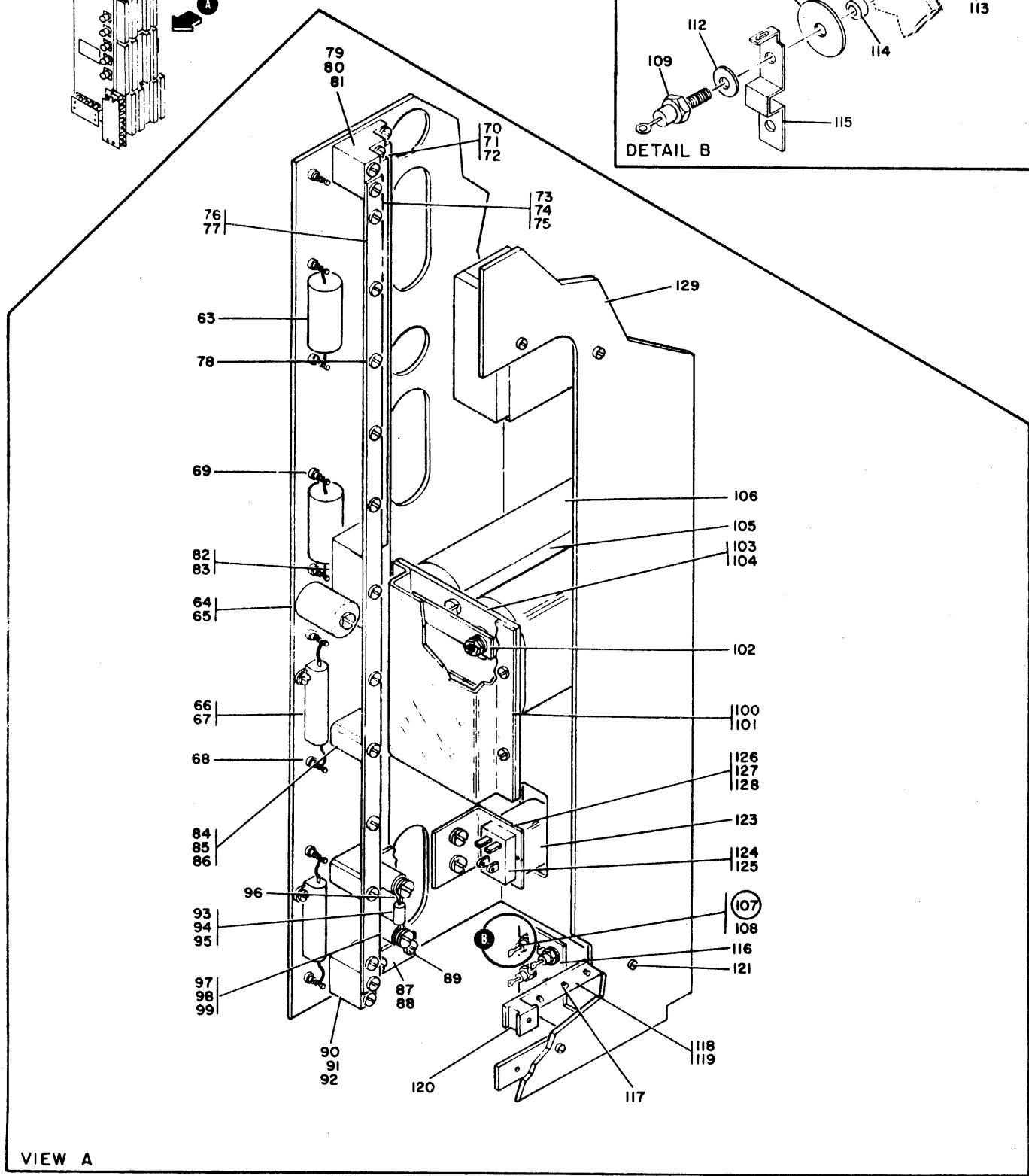
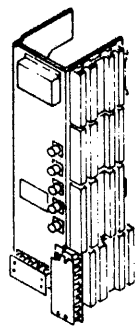
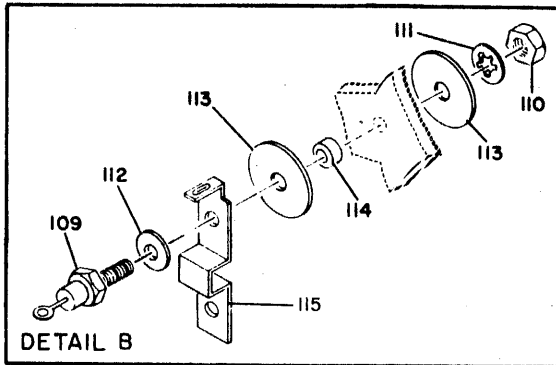


FIGURE 36. 75 AMP INVERTER SECTION ASSEMBLY. SHEET 2 OF 2. INDEX NOS. 63-129. SEE LIST 36.

LIST AND INDEX NUMBER	PART NUMBER	DESCRIPTION	UNITS PER ASM.	USABLE ON CODE
36 - 63	477974	• CAPACITOR,FXD,FILM- 0.47MFD P/M 10% 400V	2	
- 64	5712043	• STUD,EXTENSION	1	
- 65	90261	• SCREW,MACH-BIND HD 1/4-20 X 0.438 LG ATT PT	2	
- 66	5240462	• RESISTOR,FXD,WW-150 OHMS P/M 5% 50W	2	
- 67	438548	• SCREW,MACH-BIND HD 4-40 X 3/16 LG ATT PT	4	
- 68	5261458	• TERMINAL-INSULATED FEED THRU	2	
- 69	5261459	• TERMINAL,STANDOFF	2	
- 70	5712038	• BUS BAR	1	
- 71	58207	• SCREW,MACH-UNDRCT BIND HD 8-32 X 1/4 LG ATT PT	3	
- 72	236849	• SCREW,MACH-BIND HD 10-32 X 0.250 LG	8	
- 73	5703222	• BUS BAR	1	
- 74	25627	• SCREW-BD. HD 8-32 X .500 LG ATT PT	2	
- 75	236849	• SCREW,MACH-BIND HD 10-32 X 0.250 LG	5	
- 76	5703221	• BUS BAR	1	
- 77	25627	• SCREW-BD. HD 8-32 X .500 LG ATT PT	3	
- 78	236849	• SCREW,MACH-BIND HD 10-32 X 0.250 LG	10	
- 79	5703217	• BLOCK-BUS BAR MTG	1	
- 80	34512	• SCREW,BIND,HD 8-32 X .375 LG ATT PT	1	
- 81	438587	• SCREW,MACH-BIND HD 8-32 X 1-1/8 LG ATT PT	1	
- 82	5703219	• BLOCK-BUS BAR MTG	1	
- 83	438586	• SCREW,MACH-UNDRCT BIND HD 8-32 X 7/8 LG ATT PT	1	
- 84	5712037	• BLOCK,BUS BAR MOUNTING	2	
- 85	25627	• SCREW-BD. HD 8-32 X .500 LG ATT PT	2	
- 86	236849	• SCREW,MACH-BIND HD 10-32 X 0.250 LG ATT PT	2	
- 87	5703230	• TAB-BUS BAR	4	
- 88	25627	• SCREW-BD. HD 8-32 X .500 LG ATT PT	4	
- 89	28413	• SCREW,MACH-BIND HD 10-32 X 5/16 LG	4	
- 90	5703218	• BLOCK-BUS BAR MTG	1	
- 91	34512	• SCREW,BIND,HD 8-32 X .375 LG ATT PT	1	
- 92	438587	• SCREW,MACH-BIND HD 8-32 X 1-1/8 LG ATT PT	1	
- 93	216797	• RESISTOR,FXD,FILM- 24 OHMS P/M 5% 2W	2	
- 94	38235	• SCREW,MACH-BIND HD 6-32 X 0.312 LG ATT PT	4	
- 95	56722	• WASHER,LOCK-EXT TEETH NO. 6 ATT PT	4	
- 96	334932	• TERMINAL-RING,18-22 AWG,#10 HOLE,INS	4	
- 97	5703245	• STUD,EXTENSION	4	
- 98	81693	• SCREW,MACH-BIND HD 6-32 X 3/8 LG ATT PT	4	
- 99	56722	• WASHER,LOCK-EXT TEETH NO. 6 ATT PT	4	
-100	5703216	• SHIELD-CAPACITOR	1	
-101	55726	• SCREW,MACH-BIND HD 6-32 X .188 LG ATT PY	4	
-102	5703259	• BUS BAR-CAPACITOR	3	
-103	5703210	• PLATE-CAPACITOR MTG	1	
-104	332620	• SCREW,MACH-BIND HD 10-32 X 1/2 LG ATT PY	4	
-105	5703211	• STAND-OFF	2	
-106	5261388	• CAPACITOR,COMMUTATING-2 UF 400VDC	3	
-107	5703267	• DIODE ASM-75 AMP C/I	1	
-108	186759	• SCREW,MACH-BIND HD 8-32 X 5/16 LG ATT PT	2	
-109	5214094	• RECTIFIER, SILICON-12A, 1000V	4	
-110	11891	• NUT-PLAIN,HEX,10-32 X 3/8 FL W BRS ATT PT	4	
-111	56121	• WASHER,LOCK-INT TEETH NO. 10 X 0.381 OD ATT PT	4	
-112	45690	• WASHER, FL - NO.10 X 7/16 OD X 1/32 THK ATT PT	4	
-113	217019	• WASHER, INSULATING	8	
-114	473582	• INSULATOR	4	
-115	478043	• JUMPER - PLATE	2	
-116	5703269	• BRACKET, DIODE MTG	1	
-117	28413	• SCREW,MACH-BIND HD 10-32 X 5/16 LG	3	
-118	5261466	• BUS BAR	1	
-119	80651	• SCREW,THD CUTTING-PAN HD 6-32 X 0.375 LG ATT PT	2	
-120	473531	• INSULATOR	2	
-121	80651	• SCREW,THD CUTTING-PAN HD 6-32 X 0.375 LG ATT PT	2	
-123	450957	• CONNECTOR, PLUG, ELECTRICAL, FEMALE	1	
-124	317286	• CONNECTOR,RECP,ELEC- 8 MALE CONTACTS	1	
-125	38348	• SCREW,MACH-FIL HD 6-32 X 0.188 LG ATT PT	2	
-126	5703209	• BRACKET-CONNECTOR MTG	1	
-127	236849	• SCREW,MACH-BIND HD 10-32 X 0.250 LG ATT PT	2	
-128	56079	• WASHER,LOCK-EXT T .195 ID .410 OD ATT PT	2	
-129	5703203	• CHASSIS-INVERTER SECTION	1	

FOR PARTS
NOT SHOWN
SEE FIG. 33 & 33A

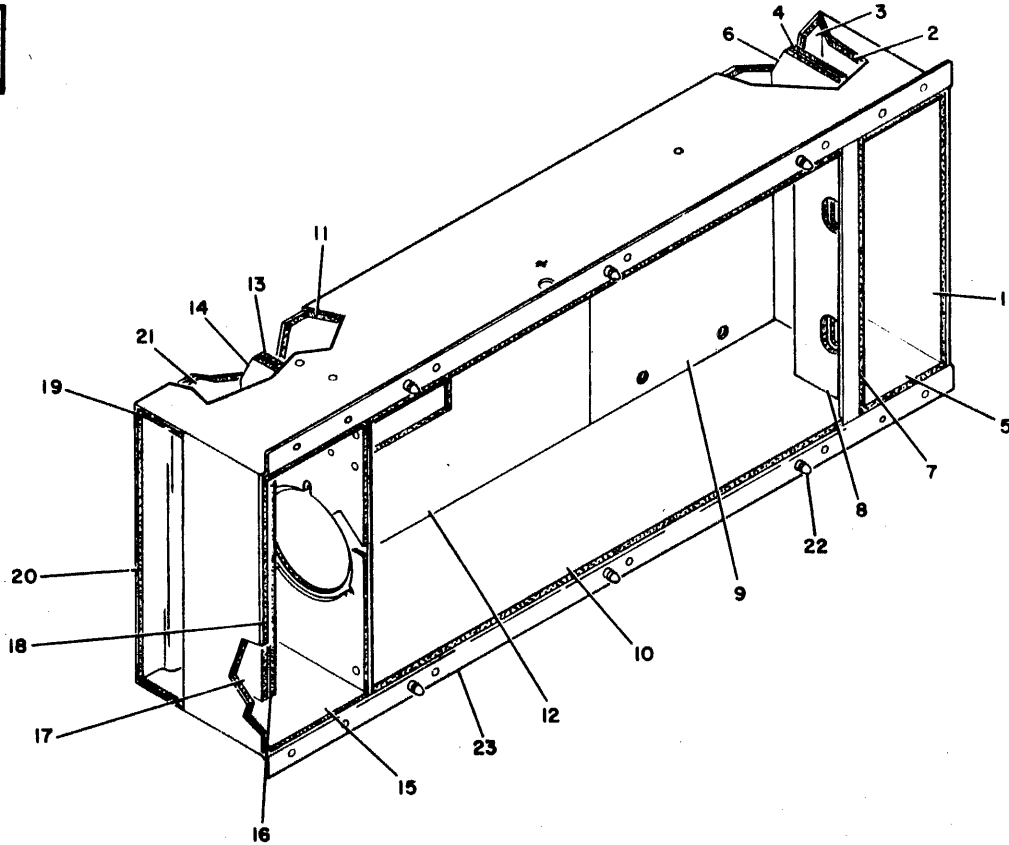


FIGURE 37. TUB AND LINER ASSEMBLY. SEE LIST 37.

LIST AND INDEX NUMBER	PART NUMBER	DESCRIPTION				UNITS PER ASM.	USABLE ON CODE
		1	2	3	4		
		TUB AND LINER ASSEMBLY					
37 -	2611714	TUB AND LINER ASSEMBLY				REF	
-	5261564	FOR NEXT HIGHER ASM SEE FIG. 33A-99 FOR ILLUSTRATION SEE FIG. 37				REF	
		SEE FIG. 33-108 FOR NEXT HIGHER ASSEMBLY AND FIG. 37 FOR ILLUSTRATION					
- 1	5261553	• LINING-FELT				1	
- 2	5261557	• LINING-FELT				1	
- 3	5261556	• LINING-FELT				1	
- 4	5261552	• LINING-FELT				1	
- 5	5261565	• LINING-FELT				1	
- 6	5261549	• LINING-FELT				1	
- 7	5261555	• LINING-FELT				1	
- 8	5261554	• LINING-FELT				1	
- 9	5261558	• LINING-FELT				1	
- 10	5261560	• LINING-FELT				1	
- 11	5261559	• LINING-FELT				1	
- 12	5261550	• LINING-FELT				1	
- 13	5261562	• LINING-FELT				1	
- 14	5261561	• LINING-FELT				1	
- 15	5261566	• LINING-FELT				1	
- 16	5261549	• LINING-FELT				1	
- 17	5261552	• LINING-FELT				1	
- 18	5261553	• LINING-FELT				1	
- 19	5261563	• LINING-FELT				1	
- 20	5261556	• LINING-FELT				1	
- 21	5261551	• LINING-FELT				1	
- 22	5261592	• STUD, SPRING CLIP- 1/4 X 3/8 OD X 1/2 LG				6	
- 23	2611713	• TUB-75 AMP CONVERT-INVERT USED ON ASM 5261564 ONLY				1	
- 23	5703252	• TUB-75 AMP CONVERT-INVERT USED ON ASM 5261564 ONLY				1	

FOR PARTS
NOT SHOWN
SEE FIG. 30

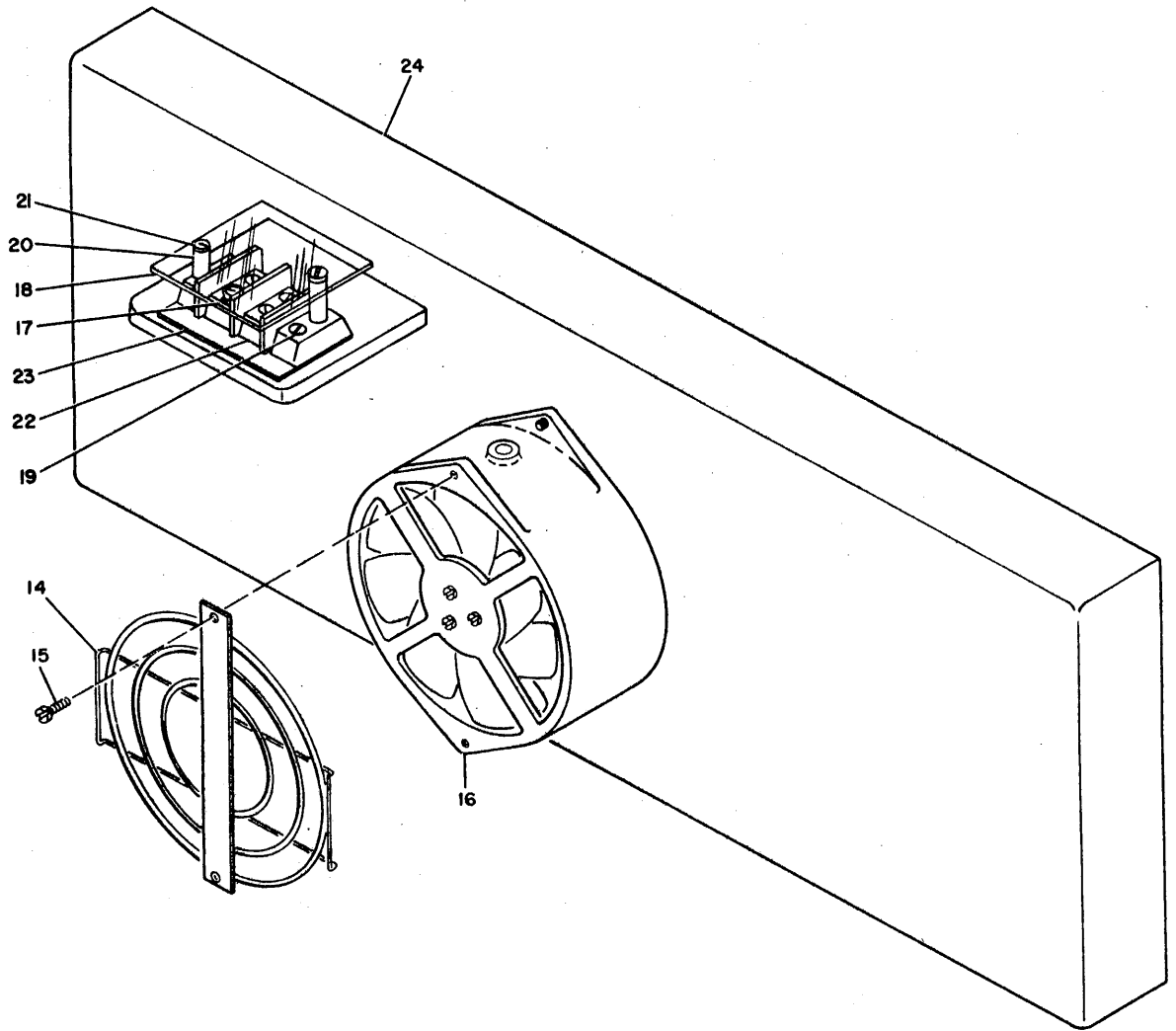


FIGURE 38. FAN ASSEMBLY. SEE LIST 38.

FOR PARTS
NOT SHOWN
SEE FIG.29,30

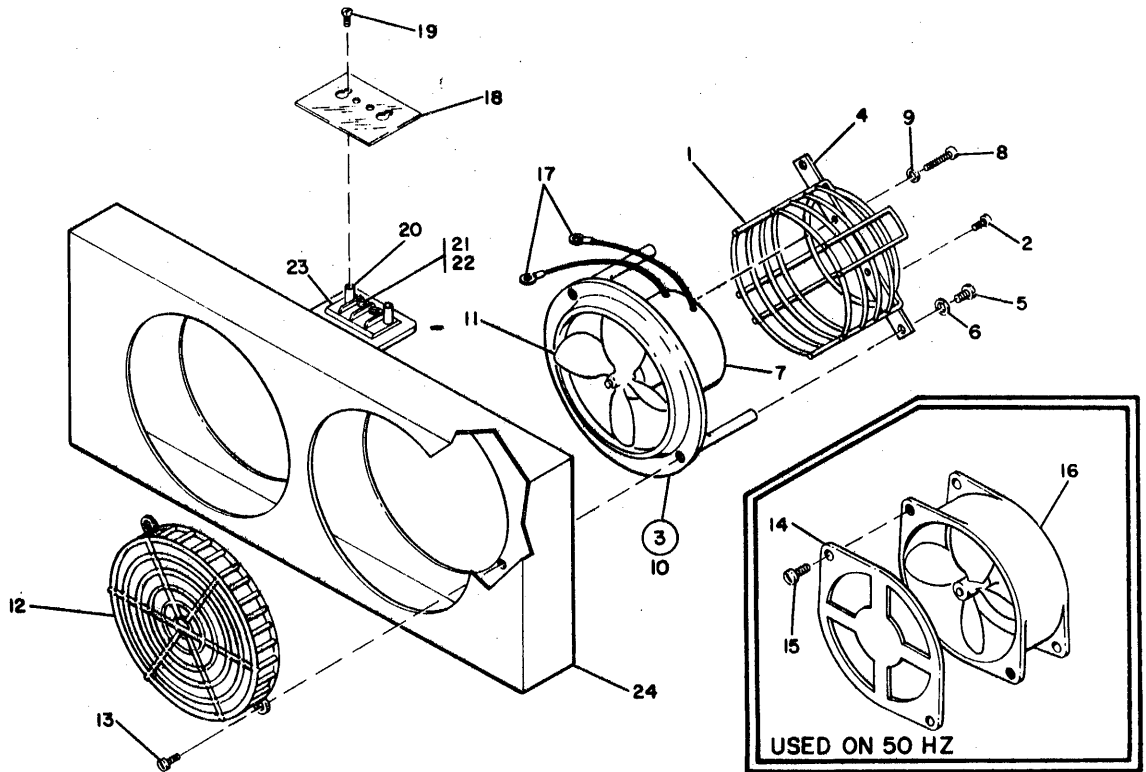
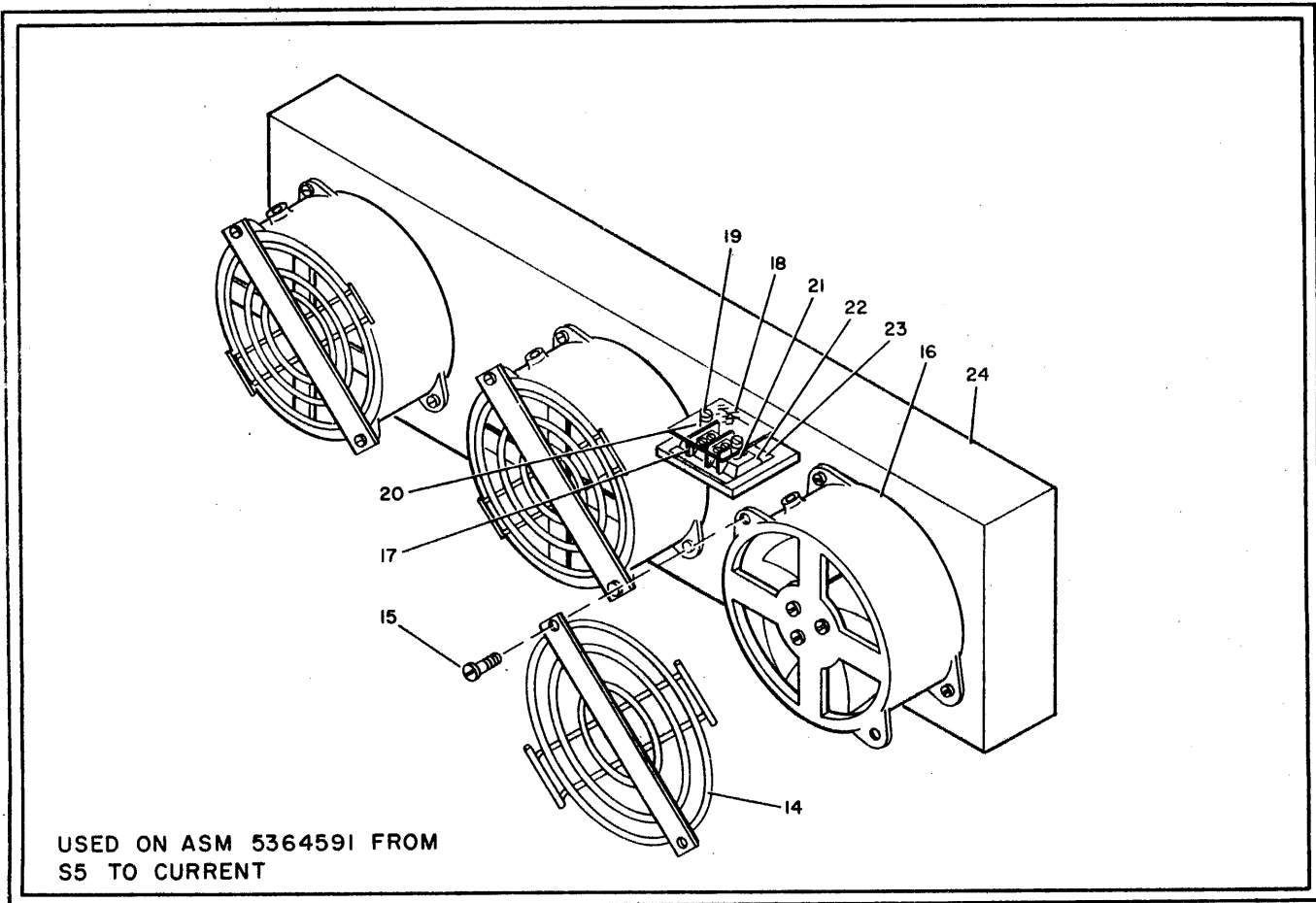
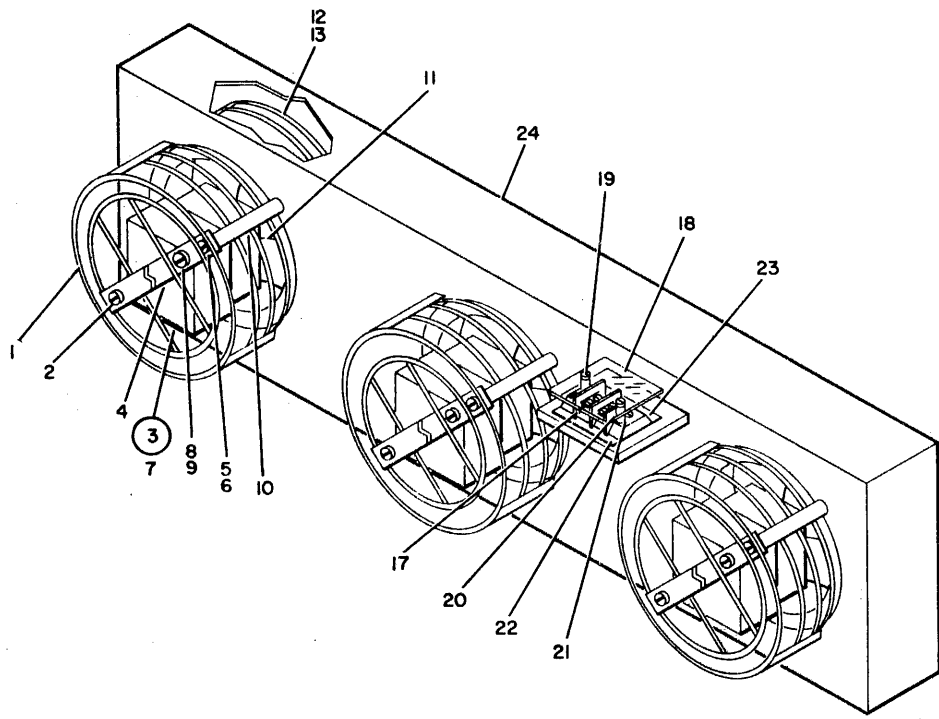


FIGURE 39. FAN ASSEMBLY. SEE LIST 39.
FAN ASSEMBLY

		CODE A USED ON 60 HZ CODE B USED ON 50 HZ	REF	
39 -	5364518	FAN ASSEMBLY-60HZ		A
		SEE FIG. 29-70 FOR NEXT HIGHER ASSEMBLY AND FIG. 39 FOR ILLUSTRATION	REF	B
-	5364544	FAN ASSEMBLY-50 HZ		B
		SEE FIG. 30-75 FOR NEXT HIGHER ASSEMBLY AND FIG. 39 FOR ILLUSTRATION		
- 1	5357060	• GUARD 5 IN FAN	2	A
- 2	731630	• SCREW, THD FORMING- 10-32 X 0.500 LG	4	
- 3	5357050	• FAN ASM- 208/230V 60 HZ	2	A
- 4	5357068	• BRACKET-MOTOR MTG	1	
- 5	120211	• SCREW, MACH-HEX HD 10-32 X 1/2 LG	2	
- 6	56079	• WASHER, LOCK-EXT T .195 ID .410 OD	2	
- 7	5357067	• MOTOR 208V/230V 60CY 220V 50CY	1	
- 8	130434	• SCREW-MACH, SLOTTED HEX HD NO.10-32 X.375	2	
- 9	56079	• WASHER, LOCK-EXT T .195 ID .410 OD	2	
- 10	5357069	• DRIFICE-FAN	1	
- 11	5357066	• BLADE	1	
- 12	5357059	• GUARD TOP	2	A
- 13	32042	• SCREW, MACH BIND. HD 10-32 X 3/8 LG.	4	
- 14	4103594	• GUARD-FAN	4	B
- 15	55918	• SCREW, MACH-BIND HD 10-32 X 5/8 LG	8	
- 16	4120172	• FAN- 50 HZ	2	B
- 17	334921	• TERMINAL-RING, 18-22 AWG, #6 HOLE, INS	4	
- 18	5319909	• COVER-TERM BLOCK 15A 2 POSITION	1	
- 19	322552	• SCREW, MACH-BIND HD 6-32 X 7/8 LG	2	
- 20	316187	• SPACER- 0.186 ID X 1/4 OD X 5/16 THK	2	
- 21	323836	• TERMINAL BOARD- 2 OBL SCREW TERMINALS	1	
- 22	35739	• SCREW, MACH-BIND HD 6-32 X 15/16 LG	2	
- 23	5318920	• STRIP T B MARKER	1	
- 24	5364505	• HOUSING, 2 FAN MOUNTING	1	

FOR PARTS
NOT SHOWN
SEE FIG.29,30



USED ON ASM 536459I FROM
S5 TO CURRENT

FIGURE 40. 50/60 HZ FAN ASSEMBLIES. SEE LIST 40.

LIST AND INDEX NUMBER	PART NUMBER	DESCRIPTION	UNITS PER ASM.	USABLE ON CODE
			1 2 3 4	
		50/60 HZ FAN ASSEMBLIES		
40 -		CODE A USED ON 60 HZ CODE B USED ON 50 HZ		
-	5364210	FAN ASSEMBLY- 60 HZ SEE FIG. 29-73 FOR NEXT HIGHER ASSEMBLY AND FIG. 40 FOR ILLUSTRATION	REF	A
-	5364591	FAN ASSEMBLY- 50 HZ SEE FIG. 30-78 FOR NEXT HIGHER ASSEMBLY AND FIG. 40 FOR ILLUSTRATION	REF	B
- 1	5357060	• GUARD 5 IN FAN	3	A
- 2	731630	• SCREW, THD FORMING- 10-32 X 0.500 LG	6	A
- 3	5357050	• FAN ASM- 208/230V 60 HZ	3	A
- 4	5357068	• BRACKET-MOTOR MTG	1	
- 5	120211	• SCREW, MACH-HEX HD 10-32 X 1/2 LG	2	
- 6	56079	• WASHER, LOCK-EXT T .195 ID .410 OD	1	
- 7	5357067	• MOTOR 208V/230V 60CY 220V 50CY	2	
- 8	130434	• SCREW-MACH, SLOTTED HEX HD NO. 10-32 X .375	ATT PT	
- 9	56079	• WASHER, LOCK-EXT T .195 ID .410 OD	ATT PT	
- 10	5357069	• DRIFICE-FAN	1	
- 11	5357066	• BLADE	1	
- 12	5357059	• GUARD TOP	3	A
- 13	32042	• SCREW, MACH BIND. HD 10-32 X 3/8 LG.	6	A
- 14	4103594	• GUARD-FAN	6	B
- 15	55918	• SCREW, MACH-BIND HD 10-32 X 5/8 LG	ATT PT	
- 16	4120172	• FAN- 50 HZ	12	B
- 17	334921	• TERMINAL-RING, 18-22 AWG, #6 HOLE, INS	3	B
- 18	5235516	• COVER, TERMINAL BOARD	6	
- 19	35739	• SCREW, MACH-BIND HD 6-32 X 15/16 LG	1	
- 20	316187	• SPACER- 0.186 ID X 1/4 OD X 5/16 THK	2	
- 21	322552	• SCREW, MACH-BIND HD 6-32 X 7/8 LG	2	
- 22	323837	• TERMINAL BOARD- 3 DBL SCREW TERMINALS	1	
- 23	5364151	• MARKER STRIP-3 POS	1	
- 24	5364187	• HOUSING-FAN MTG	1	

FOR PARTS
NOT SHOWN
SEE FIG. 29,30

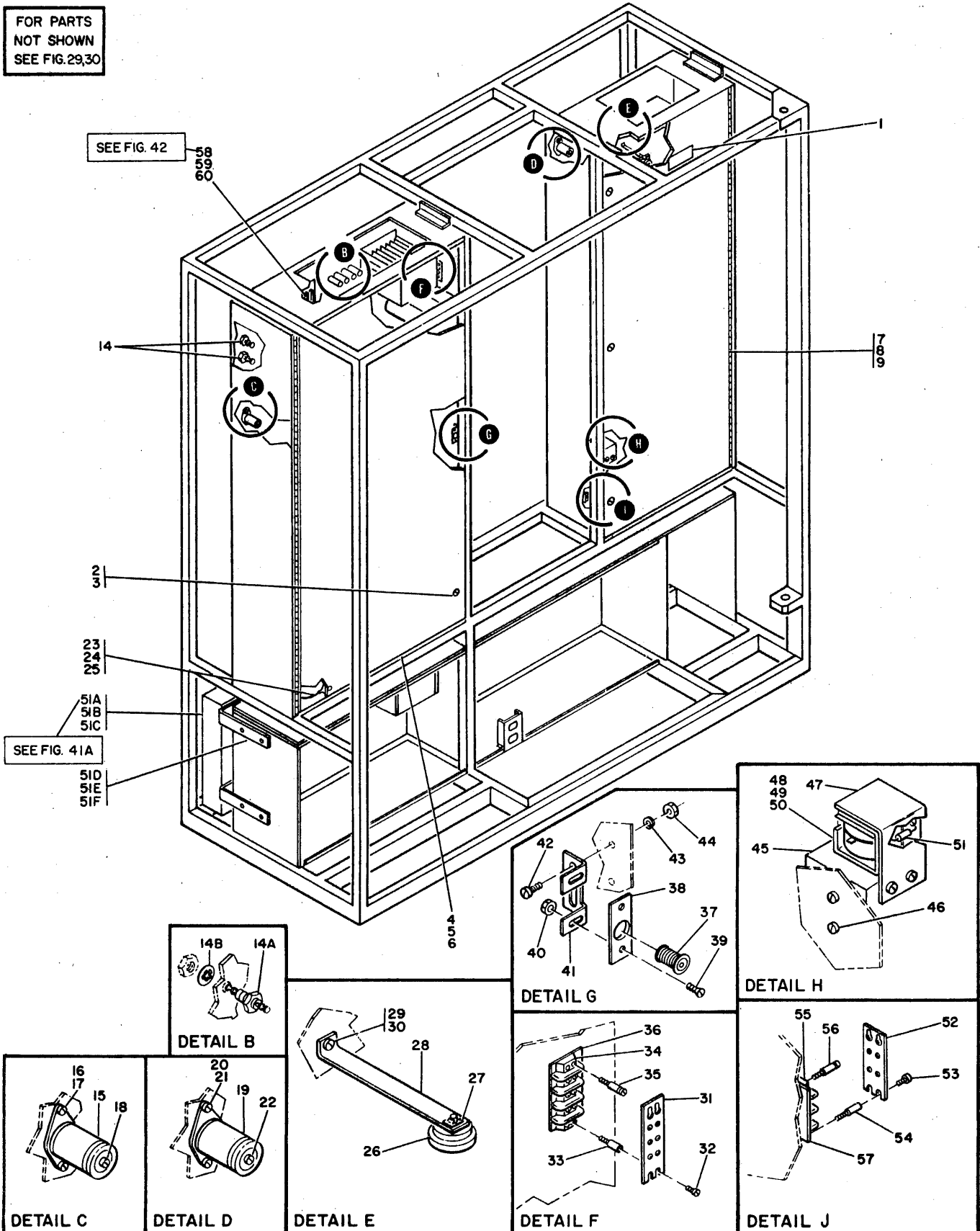


FIGURE 41. POWER GROUP FINAL ASSEMBLY-50/60 HZ. SHEET 1 OF 5. INDEX NOS. 1-60. SEE LIST 41.

LIST AND INDEX NUMBER	PART NUMBER	DESCRIPTION				UNITS PER ASM.	USABLE ON CODE
		1	2	3	4		
		FINAL ASSEMBLY, POWER GROUP 50/60 HZ					
		CODE 1 USED ON ASM PRIOR TO N9 SUFFIX CODE 2 USED ON ASM FROM N9 TO CURRENT					
41 -	5364200	FINAL ASSEMBLY, POWER GROUP 50/60 HZ SEE FIGURE 29-77 AND 30-82 FOR NEXT HIGHER ASSEMBLY AND FIGURE 41 FOR ILLUSTRATION				REF	
- 1	369208	• DECAL, INST-HAZARDOUS AREA				2	
- 2	5271226	• STUD-CAMLOC				6	
- 3	808361	• WASHER SELF-LOCKING 300 ID				6	
- 4	5364183	• COVER-REGULATOR LEFT				1	
- 5	221790	• SCREW, MACH-BIND HD 8-32 X 3/16 LG ATT PT				7	
- 6	55901	• WASHER, LOCK-EXT TEETH NO. 8 X 0.381 OD ATT PT				7	
- 7	5364182	• COVER-REGULATOR				1	
- 8	221790	• SCREW, MACH-BIND HD 8-32 X 3/16 LG ATT PT				7	
- 9	55901	• WASHER, LOCK-EXT TEETH NO. 8 X 0.381 OD ATT PT				7	
- 14	5213431	• CAPACITOR, FIXED-FEED THRU 0.47 UF 100V				2	
- 14A	5399673	• TERMINAL-FEED THRU				38	
- 14B	65756	• WASHER, LOCK-INT TEETH 0.267 ID X 0.478 OD				38	
- 15	5364225	• CAPACITOR, FIXED, MYLAR-0.5 UF 100V				32	
- 16	55726	• SCREW, MACH-BIND HD 6-32 X .188 LG ATT PT				AR	
- 17	56722	• WASHER, LOCK-EXT TEETH NO. 6 ATT PT				AR	
- 18	236849	• SCREW, MACH-BIND HD 10-32 X 0.250 LG ATT PT				AR	
- 19	5364225	• CAPACITOR, FIXED, MYLAR-0.5 UF 100V				10	
- 20	35739	• SCREW, MACH-BIND HD 6-32 X 15/16 LG ATT PT				AR	
- 21	56722	• WASHER, LOCK-EXT TEETH NO. 6 ATT PT				AR	
- 22	236849	• SCREW, MACH-BIND HD 10-32 X 0.250 LG ATT PT				AR	
- 23	5210704	• JUMPER ASSEMBLY SEE FIG. 79-49 FOR COMPONENT PART				AR	
- 24	221790	• SCREW, MACH-BIND HD 8-32 X 3/16 LG ATT PT				AR	
- 25	55901	• WASHER, LOCK-EXT TEETH NO. 8 X 0.381 OD ATT PT				AR	
- 26	5428337	• SWITCH, THERMAL				3	
- 27	5477935	• CLIP, SPRING ATT PT				3	
- 28	5477936	• BRACKET, THERMAL SWITCH				3	
- 29	10170	• SCREW, MACH-BIND HD 6-32 X 1/4 LG ATT PT				3	
- 30	56722	• WASHER, LOCK-EXT TEETH NO. 6 ATT PT				3	
- 31	191477	• SHIELD				1	
- 32	210984	• SCREW, RD HD MACH-6-32 X .250 LG ATT PT				1	
- 33	210883	• STUD-SHIELD MTG, TAPPED, NO. 6-32				1	
- 34	323838	• BLOCK				1	
- 35	210884	• STUD-SHIELD MTG, NO. 6-32 ATT PT				3	
- 36	515620	• INSULATOR				1	
- 37	808360	• FASTENER				6	
- 38	5364295	• PLATE-DOOR LOCK				6	
- 39	316807	• SCREW, MACH-FH, NO. 6-32 X .375 LG ATT PT				12	
- 40	257187	• NUT, PLAIN, HEX- 6-32 X 3/8 FL W ATT PT				12	
- 41	5364296	• BRACKET-DOOR LOCK				6	
- 42	10170	• SCREW, MACH-BIND HD 6-32 X 1/4 LG ATT PT				12	
- 43	56722	• WASHER, LOCK-EXT TEETH NO. 6 ATT PT				24	
- 44	179743	• NUT, PLAIN, HEX- 15/32-32 X 9/16 FL W ATT PT				6	
- 45	5364149	• BRACKET-RELAY MTG				1	
- 46	10170	• SCREW, MACH-BIND HD 6-32 X 1/4 LG ATT PT				4	
- 47	5364148	• COVER-RELAY				1	
- 48	2128689	• RELAY, 3 POLE DT 472 OHM 24 VOLT D.C.COIL				1	
- 49	257187	• NUT, PLAIN, HEX- 6-32 X 3/8 FL W ATT PT				1	
- 50	56722	• WASHER, LOCK-EXT TEETH NO. 6 ATT PT				1	
- 51	2111232	• SEMICONDUCTOR DEVICE, DIODE-TYPE AM				1	
- 51A	5271793	• EMERGENCY POWER-OFF CONTROL ASSEMBLY MULTI SYSTEM EPO CONTROL FEATURE SEE FIG. 41A FOR DETAIL BREAKDOWN				1	
- 51B	186759	• SCREW, MACH-BIND HD 8-32 X 5/16 LG ATT PT				4	
- 51C	55901	• WASHER, LOCK-EXT TEETH NO. 8 X 0.381 OD ATT PT				4	
- 51D	5364560	• BRACKET				2	
- 51E	186759	• SCREW, MACH-BIND HD 8-32 X 5/16 LG ATT PT				4	
- 51F	55901	• WASHER, LOCK-EXT TEETH NO. 8 X 0.381 OD ATT PT				4	
- 52	187854	• SHIELD, TERMINAL BLOCK- 2 POS				1	
- 53	210984	• SCREW, RD HD MACH-6-32 X .250 LG ATT PT				1	
- 54	210883	• STUD-SHIELD MTG, TAPPED, NO. 6-32 ATT PT				1	
- 55	323836	• TERMINAL BOARD- 2 DBL SCREW TERMINALS				1	
- 56	210884	• STUD-SHIELD MTG, NO. 6-32 ATT PT				3	
- 57	5318920	• STRIP T B MARKER				1	
- 58	5364140	• DIVIDER ASM				1	
- 59	10170	SEE FIG. 42 FOR DETAIL BREAKDOWN • SCREW, MACH-BIND HD 6-32 X 1/4 LG ATT PT				4	
- 60	56722	• WASHER, LOCK-EXT TEETH NO. 6 ATT PT				5	

FOR PARTS
NOT SHOWN
SEE FIG. 29,30

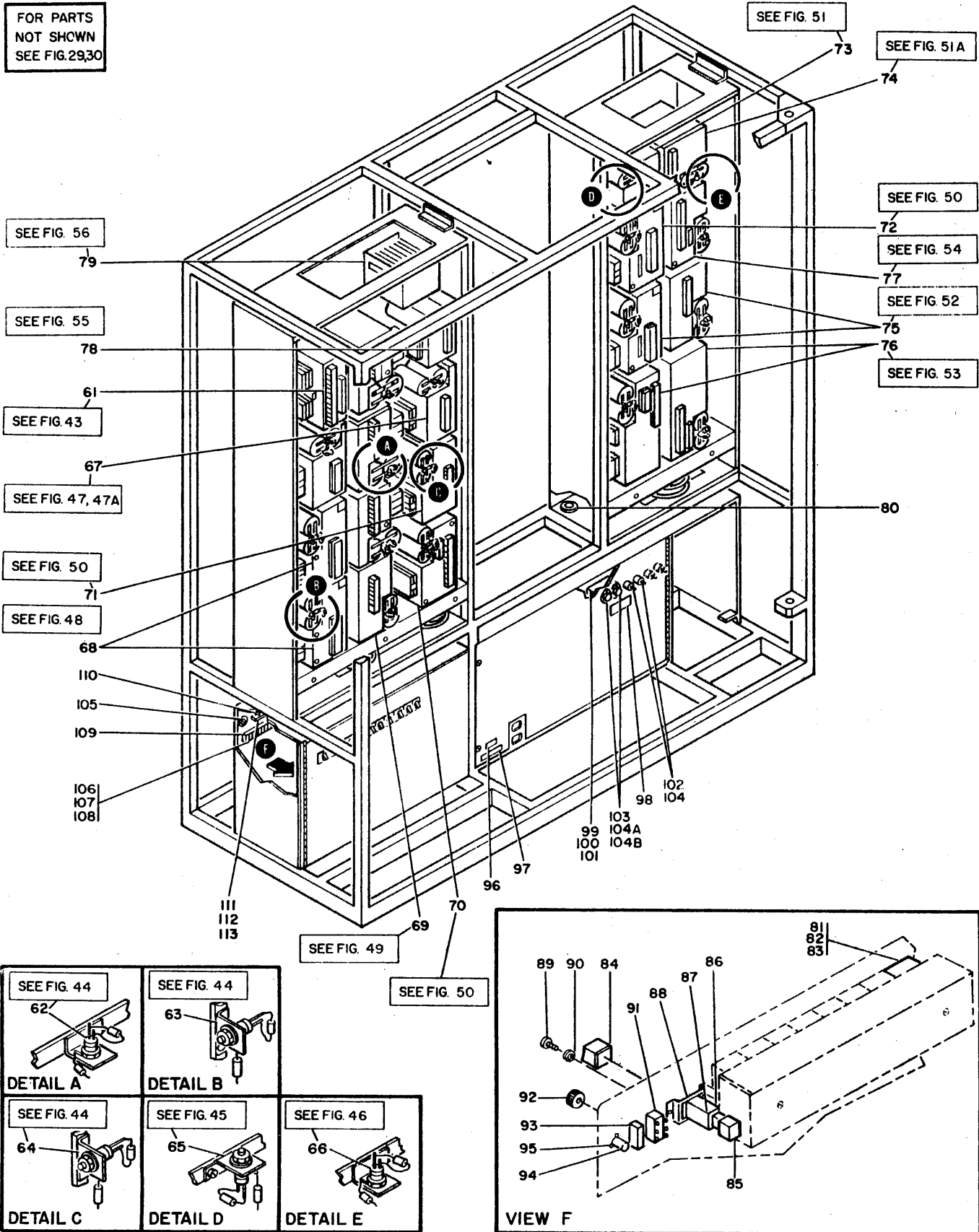


FIGURE 41. POWER GROUP FINAL ASSEMBLY-50/60 HZ. SHEET 2 OF 5. INDEX NOS. 61-113. SEE LIST 41.

LIST AND INDEX NUMBER	PART NUMBER	DESCRIPTION	UNITS PER ASM.	USABLE ON CODE
41 - 61	5712120	• POWER SUPPLY ASM- 6VDC AT 2.5A SEE FIG. 43 FOR DETAIL BREAKDOWN	1	
- 62	5351170	• OVERVOLTAGE S.C.R. ASSEMBLY,-3V SEE FIG. 44 FOR DETAIL BREAKDOWN	5	
- 63	5351140	• OVERVOLTAGE S.C.R. ASSEMBLY,6V SEE FIG. 44 FOR DETAIL BREAKDOWN	3	
- 64	5361903	• REGULATOR S.C.R. ASSEMBLY,60V SEE FIG. 44 FOR DETAIL BREAKDOWN	9	
- 65	5708902	• REMOTE O/V-O/C ASM SEE FIG. 45 FOR DETAIL BREAKDOWN	1	
- 66	5708903	• REMOTE O/V-O/C ASSEMBLY SEE FIG. 46 FOR DETAIL BREAKDOWN	1	
- 67	5261220	• MAGNETIC AMPLIFIER ASSEMBLY,3V AT 40A SEE FIG. 47 FOR DETAIL BREAKDOWN	5	1
- 67	5261220	• MAGNETIC AMPLIFIER ASSEMBLY- 3V AT 40A SEE FIG. 47A FOR DETAIL BREAKDOWN	5	2
- 68	5261240	• MAGNETIC AMPLIFIER ASSEMBLY- 6V 40A SEE FIG. 48 FOR DETAIL BREAKDOWN	2	
- 69	5709300	• MAG AMPL ASM SEE FIG. 49 FOR DETAIL BREAKDOWN	1	
- 70	5244090	• POWER SUPPLY ASM-18 VDC AT 11 AMP SEE FIG. 50 FOR DETAIL BREAKDOWN	1	
- 71	5253790	• POWER SUPPLY ASM-30 VDC AT 5 AMP SEE FIG. 50 FOR DETAIL BREAKDOWN	1	
- 72	5253800	• POWER SUPPLY ASM-18 VDC AT 11 AMP SEE FIG. 50 FOR DETAIL BREAKDOWN	1	
- 73	5712010	• MAGNETIC AMPLIFIER ASSEMBLY- 3V AT 20A SEE FIG. 51 FOR DETAIL BREAKDOWN	1	
- 74	5712030	• MAGNETIC AMPLIFIER ASSEMBLY,6V AT 25 AMP SEE FIG. 51A FOR DETAIL BREAKDOWN	2	
- 75	5261480	• MAG AMP ASM-56V AT 4 AMP SEE FIG. 52 FOR DETAIL BREAKDOWN	2	
- 76	5253780	• POWER SUPPLY ASM-60V AT 8 AMP SEE FIG. 53 FOR DETAIL BREAKDOWN	2	
- 77	5712160	• POWER SUPPLY ASSEMBLY SEE FIG. 54 FOR DETAIL BREAKDOWN	1	
- 78	5261280	• AMPLIFIER ASSEMBLY,48V AT 2AMP MAGNETIC SEE FIG. 55 FOR DETAIL BREAKDOWN	1	
- 79	5364170	• OVERVOLTAGE ASM SEE FIG. 56 FOR DETAIL BREAKDOWN	1	
- 80	730432	• GROMMET,CATERPILLAR	2	
- 81	5270651	• CIRCUIT BREAKER-DP 0.4 AMP	1	
- 82	10170	• SCREW,MACH-BIND HD 6-32 X 1/4 LG	4	ATT PT
- 83	56722	• WASHER,LOCK-EXT TEETH NO. 6	4	ATT PT
- 84	719117	• BUTTON-POWER ON	1	
- 85	719551	• SWITCH,SENSITIVE- 2 SPDT 125V AC 0.2 AMP	1	
- 86	473629	• HOUSING-SWITCH AND LAMP	2	
- 87	557542	• LAMP,INCANDESCENT- 28V 0.04 AMP	1	
- 88	5270142	• BRACKET-SWITCH	2	
- 89	10170	• SCREW,MACH-BIND HD 6-32 X 1/4 LG	2	ATT PT
- 90	56722	• WASHER,LOCK-EXT TEETH NO. 6	2	ATT PT
- 91	515847	• SWITCH,TOGGLE-DP DT	1	
- 92	189138	• KNOB-SWITCH BLACK	1	
- 93	215680	• SWITCH,PUSH-NC 125V AC 1 AMP	1	
- 94	556445	• LAMP,INCANDESCENT- 10V 14 MA	1	
- 95	368168	• CLIP-SPEED	1	
- 96	845762	• DECAL-VOLTAGE	1	
- 97	5404827	• PLATE	1	
- 98	5364692	• LABEL-FUSE WARNING	1	
- 99	5364171	• COVER-FUSE	1	
-100	10170	• SCREW,MACH-BIND HD 6-32 X 1/4 LG	2	ATT PT
-101	56722	• WASHER,LOCK-EXT TEETH NO. 6	2	ATT PT
-102	78952	• FUSE,CRTRGE-LONG TIME DELAY 0.8 AMP 250V	2	
-103	107669	• FUSE,CARTRIDGE- 10 AMP 250V	2	
-104	360882	• FUSEHOLDER- 15 AMP 250V AC	4	
-104A	104615	• FUSE HOLDER - 15 AMP 250V AC	2	
-104B	34512	• SCREW,MACH-BIND HD 8-32 X 0.375 LG	4	
-105	730432	• GROMMET,CATERPILLAR	1	
-106	82353	• TERMINAL BOARD- 14 DBL SCREW TERMINALS	1	
-107	322550	• SCREW	4	ATT PT
-108	56722	• WASHER,LOCK-EXT TEETH NO. 6	4	ATT PT
-109	5364238	• STRIP-TB MARKER	1	
-110	236849	• SCREW,MACH-BIND HD 10-32 X 0.250 LG	6	ATT PT
-111	352121	• BUS BAR- 6 POS	1	
-112	32617	• SCREW,MACH-BIND HD 10-32 X 0.438 LG	2	ATT PT
-113	56079	• WASHER,LOCK-EXT T .195 ID .410 OD	3	ATT PT

FOR PARTS
NOT SHOWN
SEE FIG.29,30

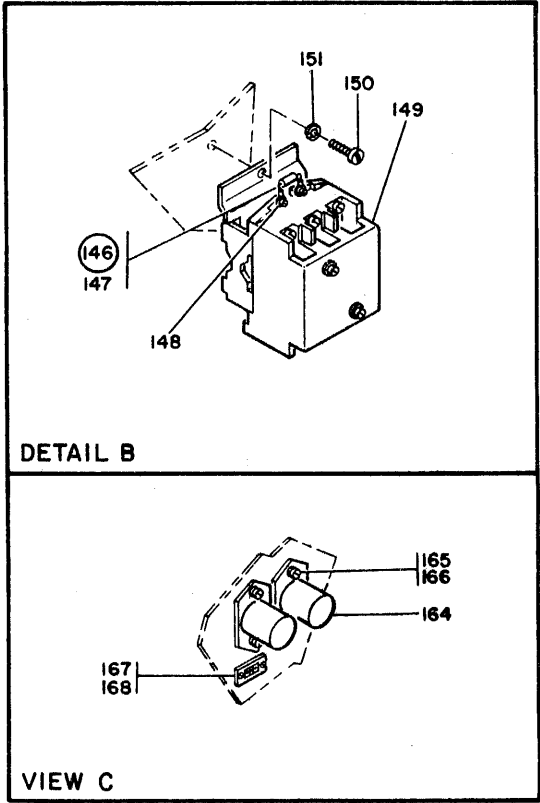
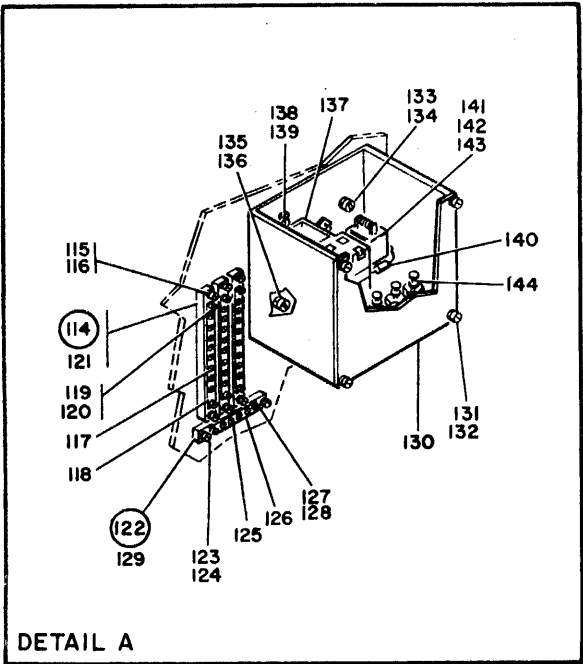
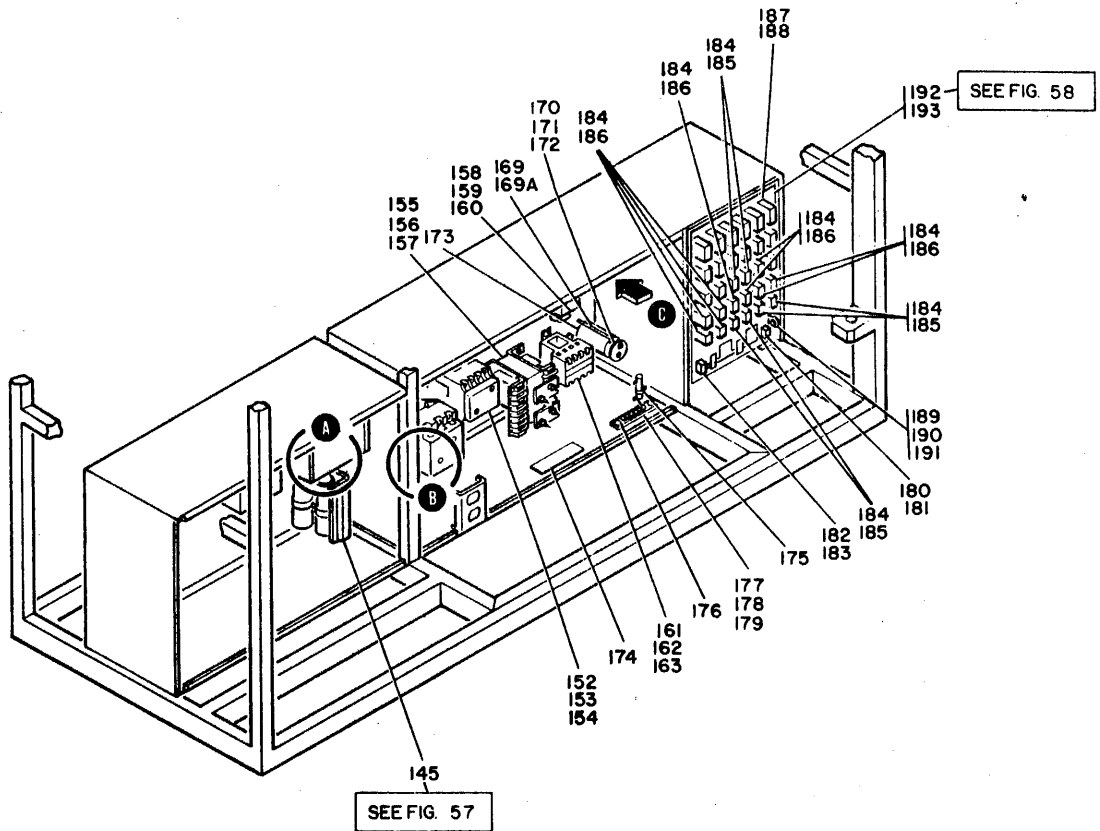


FIGURE 41. POWER GROUP FINAL ASSEMBLY-50/60 HZ. SHEET 3 OF 5. INDEX NOS. 114-193. SEE LIST 41.

LIST AND INDEX NUMBER	PART NUMBER	DESCRIPTION	UNITS PER ASM.	USABLE ON CODE
41 -114	596288	• BAR ASSEMBLY	3	
-115	322065	• SCREW,MACH-BIND HD 6-32 X 5/8 LG ATT PT	6	
-116	56722	• WASHER,LOCK-EXT TEETH NO. 6 ATT PT	6	
-117	10170	• SCREW,MACH-BIND HD 6-32 X 1/4 LG	4	
-118	596469	• BUS BAR- 4 POS 3/8 W X 1/8 H X 2-5/8 LG	1	
-119	38351	• SCREW,MACH-FIL HD 6-32 X .312 LG ATT PT	2	
-120	56722	• WASHER,LOCK-EXT TEETH NO. 6 ATT PT	2	
-121	596467	• INSULATOR	1	
-122	596468	• BAR ASM-DC RETURN	1	
-123	322065	• SCREW,MACH-BIND HD 6-32 X 5/8 LG ATT PT	2	
-124	56722	• WASHER,LOCK-EXT TEETH NO. 6 ATT PT	2	
-125	10170	• SCREW,MACH-BIND HD 6-32 X 1/4 LG	8	
-126	596293	• BAR-DC RETURN	1	
-127	38351	• SCREW,MACH-FIL HD 6-32 X .312 LG ATT PT	2	
-128	56722	• WASHER,LOCK-EXT TEETH NO. 6 ATT PT	2	
-129	596292	• INSULATOR	1	
-130	5364154	• COVER-RELAY	1	
-131	55726	• SCREW,MACH-BIND HD 6-32 X .188 LG ATT PT	4	
-132	56722	• WASHER,LOCK-EXT TEETH NO. 6 ATT PT	4	
-133	58207	• SCREW,MACH-UNDRCT BIND HD 8-32 X 1/4 LG	1	
-134	55901	• WASHER,LOCK-EXT TEETH NO. 8 X 0.381 OD	1	
-135	186759	• SCREW,MACH-BIND HD 8-32 X 5/16 LG	1	
-136	55901	• WASHER,LOCK-EXT TEETH NO. 8 X 0.381 OD	1	
-137	5351162	• CONTACTOR,MAGNETIC	1	
-138	10170	• SCREW,MACH-BIND HD 6-32 X 1/4 LG ATT PT	2	
-139	56722	• WASHER,LOCK-EXT TEETH NO. 6 ATT PT	2	
-140	2111232	• SEMICONDUCTOR DEVICE,DIODE-TYPE AM	2	
-141	2128689	• RELAY,3 POLE DT 472 OHM 24 VOLT D.C.COIL	1	
-142	257187	• NUT,PLAIN,HEX- 6-32 X 3/8 FL W ATT PT	1	
-143	56722	• WASHER,LOCK-EXT TEETH NO. 6 ATT PT	1	
-144	5399673	• TERMINAL-FEED THRU	3	
-145	5351111	• POWER SUPPLY ASSEMBLY,OVERVOLTAGE	2	
		SEE FIG. 57 FOR DETAIL BREAKDOWN		
-146	5270652	• DIODE ASM	4	
-147	2111232	• SEMICONDUCTOR DEVICE,DIODE-TYPE AM	1	
-148	334921	• TERMINAL-RING,18-22 AWG,#6 HOLE,INS	2	
-149	5270586	• RELAY-24 VDC COIL	1	
-150	58207	• SCREW,MACH-UNDRCT BIND HD 8-32 X 1/4 LG ATT PT	3	
-151	55901	• WASHER,LOCK-EXT TEETH NO. 8 X 0.381 OD ATT PT	3	
-152	5364165	• RELAY-24 VDC COIL	1	
-153	58207	• SCREW,MACH-UNDRCT BIND HD 8-32 X 1/4 LG ATT PT	2	
-154	55901	• WASHER,LOCK-EXT TEETH NO. 8 X 0.381 OD ATT PT	2	
-155	5351120	• AC POWER SUPPLY SUB ASSEMBLY	1	
-156	130434	• SCREW-MACH,SLOTTED HEX NO.10-32 X.375 ATT PT	4	
-157	56079	• WASHER,LOCK-EXT T .195 ID .410 OD ATT PT	5	
-158	2128689	• RELAY,3 POLE DT 472 OHM 24 VOLT D.C.COIL	1	
-159	257187	• NUT,PLAIN,HEX- 6-32 X 3/8 FL W ATT PT	1	
-160	6364	• WASHER,LOCK-SPLIT NO. 6 X 1/4 OD ATT PT	1	
-161	5351162	• CONTACTOR,MAGNETIC	1	
-162	38350	• SCREW,MACH-FIL H 6-32 X 1/4 LG ATT PT	2	
-163	6364	• WASHER,LOCK-SPLIT NO. 6 X 1/4 OD ATT PT	2	
-164	5364510	• CONNECTOR,FEMALE-PANEL MOUNT	2	
-165	55726	• SCREW,MACH-BIND HD 6-32 X .188 LG ATT PT	4	
-166	56722	• WASHER,LOCK-EXT TEETH NO. 6 ATT PT	6	
-167	523269	• CONNECTOR-ELECT 6 POS INSERT	1	
-168	251970	• SCREW-MACH BD. HD. 4-40 X 1/4 LG ATT PT	2	
-169	473422	• CLAMP,CAPACITOR	2	
-169A	473412	• INSULATOR,CLAMP	2	
-170	362206	• COVER, CAPACITOR	1	
-171	257187	• NUT,PLAIN,HEX- 6-32 X 3/8 FL W ATT PT	2	
-172	6364	• WASHER,LOCK-SPLIT NO. 6 X 1/4 OD ATT PT	2	
-173	332589	• CAPACITOR-ELECTROLYTIC 1500 MFD 60VDC	1	
-174	138756	• PLATE,INST-LINE V PRESENT W/MACH PWR OFF	1	
-175	335474	• RESISTOR,VAR 500 OHMS 10W	1	
-176	236849	• SCREW,MACH-BIND HD 10-32 X 0.250 LG	6	
-177	352121	• BUS BAR- 6 POS	1	
-178	32617	• SCREW,MACH-BIND HD 10-32 X 0.438 LG ATT PT	2	
-179	56079	• WASHER,LOCK-EXT T .195 ID .410 OD ATT PT	3	
-180	5318966	• RETAINER-RELAY	1	
-181	5318968	• RELAY,ARM-COIL 24V CONT 30V 5 AMP 4PDT	1	
-182	5364198	• RETAINER	1	
-183	5364164	• RELAY	1	
-184	5318966	• RETAINER-RELAY	15	
-185	5364161	• RELAY-4PDT 5AMP 18VDC	6	
-186	5318968	• RELAY,ARM-COIL 24V CONT 30V 5 AMP 4PDT	9	
-187	5351163	• RETAINER-RELAY	15	

FOR PARTS
NOT SHOWN
SEE FIG. 29,30

SEE FIG. 60

SEE FIG. 61

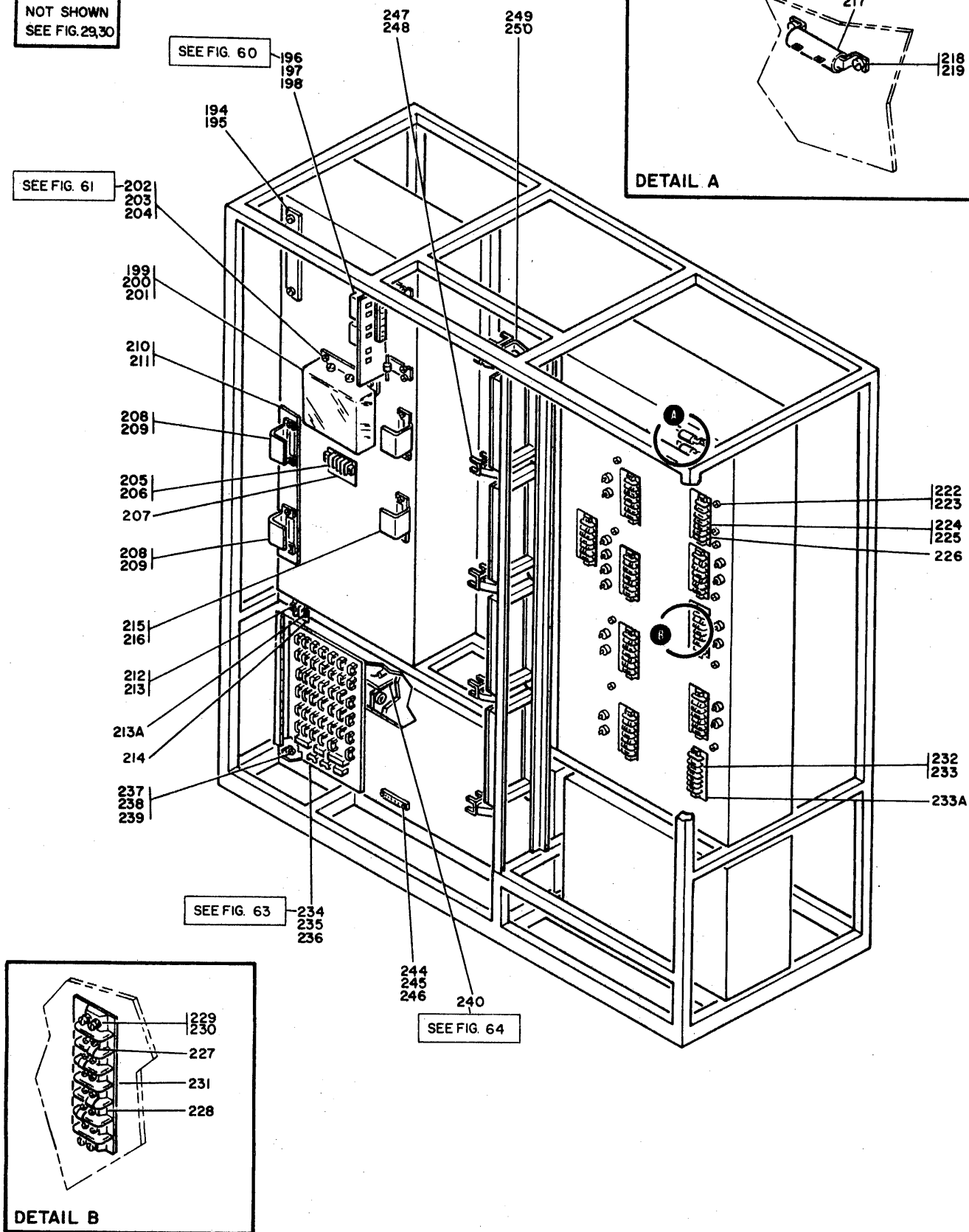
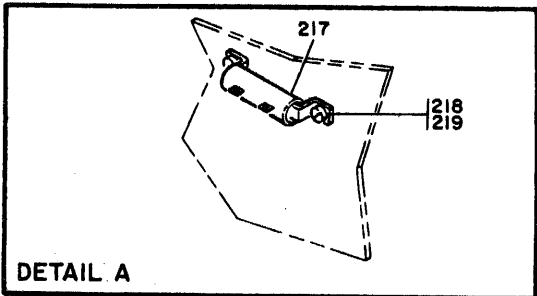


FIGURE 41. POWER GROUP FINAL ASSEMBLY-50/60 HZ. SHEET 4 OF 5. INDEX NOS. 194-250. SEE LIST 41.

LIST AND INDEX NUMBER	PART NUMBER	DESCRIPTION	UNITS PER ASM.	USABLE ON CODE
41 -194	5364541	• PLATE, MOUNTING	1	
-195	55726	• SCREW, MACH-BIND HD 6-32 X .188 LG	2	
-195	35739	• SCREW, MACH-BIND HD 6-32 X 15/16 LG USED WHEN PLATE 5364541 IS NOT	4	
-196	5366746	• INTERFACE ASSEMBLY, I/O	1	
		SEE FIG. 60 FOR DETAIL BREAKDOWN USED WITH I/O INTERFACE TRANSIENT SEQUENCE FEATURE ONLY		
-197	35739	• SCREW, MACH-BIND HD 6-32 X 15/16 LG	4	
-197	55726	• SCREW, MACH-BIND HD 6-32 X .188 LG USED WHEN I/O INTERFACE FEATURE IS NOT	4	
-198	257187	• NUT, PLAIN, HEX- 6-32 X 3/8 FL W	4	
-199	5364158	• COVER-BELL	1	
-200	10170	• SCREW, MACH-BIND HD 6-32 X 1/4 LG	3	
-201	56722	• WASHER, LOCK-EXT TEETH NO. 6	3	
-202	5364160	• BELL ASM	1	
		SEE FIG. 61 FOR DETAIL BREAKDOWN		
-203	34512	• SCREW, BIND HD 8-32 X .375 LG	2	
-204	55901	• WASHER, LOCK-EXT TEETH NO. 8 X 0.381 OD	3	
-205	317310	• TERMINAL BOARD- 5 DBL SCREW TERMINALS	1	
-206	35739	• SCREW, MACH-BIND HD 6-32 X 15/16 LG	4	
-207	740554	• STRIP-MARKER, 5 POSITION	1	
-208	5364561	• COVER, SAFETY	2	
-209	257187	• NUT, PLAIN, HEX- 6-32 X 3/8 FL W	4	
-210	5366636	• COVER, PLATE	1	
-211	55726	• SCREW, MACH-BIND HD 6-32 X .188 LG	2	
-212	323836	• TERMINAL BOARD- 2 DBL SCREW TERMINALS	1	
-213	35739	• SCREW, MACH-BIND HD 6-32 X 15/16 LG	4	
-213A	350665	• CLAMP, CABLE	1	
-214	5318920	• STRIP T B MARKER	1	
-215	5364561	• COVER, SAFETY	2	
-216	257187	• NUT, PLAIN, HEX- 6-32 X 3/8 FL W	4	
-217	597364	• RESISTOR, FXD WW 40 OHMS P/M 5% 25W	1	
-218	510316	• BRACKET-MTG, 25W RESISTOR	2	
-219	10170	• SCREW, MACH-BIND HD 6-32 X 1/4 LG	2	
-222	58207	• SCREW, MACH-UNDRCT BIND HD 8-32 X 1/4 LG	18	
-223	55901	• WASHER, LOCK-EXT TEETH NO. 8 X 0.381 OD	18	
-224	317232	• TERMINAL BOARD- 6 DBL SCREW TERMINALS	1	
-225	35739	• SCREW, MACH-BIND HD 6-32 X 15/16 LG	4	
-226	589715	• STRIP-MARKER	1	
-227	5364226	• JUMPER-BRASS	32	
-228	504870	• TERMINAL BOARD	8	
-229	322065	• SCREW, MACH-BIND HD 6-32 X 5/8 LG	32	
-230	56722	• WASHER, LOCK-EXT TEETH NO. 6	32	
-231	332628	• STRIP, MARKER-TERM BD 6 POS 1 THRU 6	8	
-232	317314	• TERMINAL BOARD- 4 DBL SCREW TERMINALS	1	
-233	322065	• SCREW, MACH-BIND HD 6-32 X 5/8 LG	4	
-233A	5355504	• STRIP, MARKER	1	
-234	5364150	• CONNECTOR PANEL ASM	1	
		SEE FIG 63 FOR DETAIL BREAKDOWN		
-235	34512	• SCREW, BIND HD 8-32 X .375 LG	5	
-236	55901	• WASHER, LOCK-EXT TEETH NO. 8 X 0.381 OD	5	
-237	598273	• JUMPER ASSEMBLY	AR	
		SEE FIG. 79-49 FOR COMPONENT PART		
-238	221790	• SCREW, MACH-BIND HD 8-32 X 3/16 LG	2	
-239	55901	• WASHER, LOCK-EXT TEETH NO. 8 X 0.381 OD	2	
-240	5364230	• VOLTAGE SENSE ASSEMBLY	1	
		SEE FIG. 64 FOR DETAIL BREAKDOWN		
-244	596468	• BAR ASM-DC RETURN	1	
		SEE INDEX 122 FOR DETAIL BREAKDOWN		
-245	322065	• SCREW, MACH-BIND HD 6-32 X 5/8 LG	2	
-246	56722	• WASHER, LOCK-EXT TEETH NO. 6	2	
-247	5400836	• RACEWAY	5	
-248	472729	• SCREW, MACH-FL CSK HD 4-40 X 3/8 LG	15	
-249	5400835	• SUPPORT, RACEWAY	5	
-250	731630	• SCREW, THD FORMING- 10-32 X 0.500 LG	10	

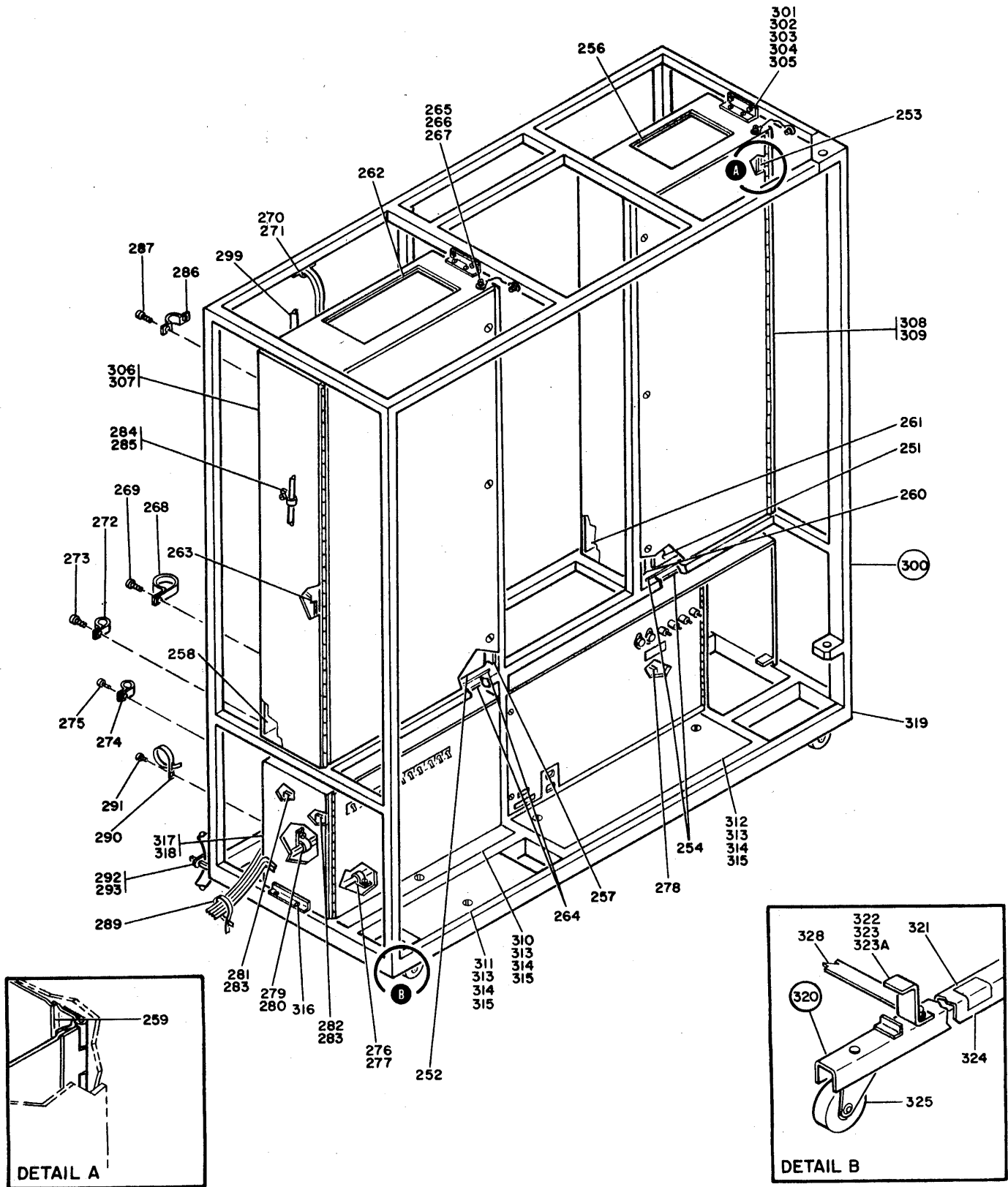


FIGURE 41. POWER GROUP FINAL ASSEMBLY-50/60 HZ. SHEET 5 OF 5. INDEX NOS. 251-328. SEE LIST 41.

LIST AND INDEX NUMBER	PART NUMBER	DESCRIPTION	UNITS	USABLE
			PER ASM.	ON CODE
41 -251	5364212	• INSULATION-NOISE	1	
-252	5364213	• INSULATION-NOISE	1	
-253	5364568	• STRIP, NEOPRENE RUBBER	1	
-254	5364193	• INSULATION-NOISE	2	
-256	5364191	• INSULATION-NOISE	1	
-257	5364211	• INSULATION	1	
-258	5477939	• INSULATION-NOISE	1	
-259	5364216	• INSULATION-NOISE	1	
-260	5364199	• INSULATION-NOISE	1	
-261	5477940	• INSULATION-NOISE	1	
-262	5364189	• INSULATION	1	
-263	5364216	• INSULATION-NOISE	1	
-264	5364192	• INSULATION-NOISE	2	
-265	5236967	• JUMPER ASSEMBLY	AR	
		SEE FIG. 79-42E FOR COMPONENT PART		
-266	32042	• SCREW, MACH BIND. HD 10-32 X 3/8 LG.	ATT PT	AR
-267	56079	• WASHER, LOCK-EXT ↑ .195 ID .410 OD	ATT PT	AR
-268	2102367	• CLAMP-LOOP		1
-269	186759	• SCREW, MACH-BIND HD 8-32 X 5/16 LG	ATT PT	1
-270	179207	• CLAMP-CABLE		2
-271	34512	• SCREW, BIND. HD 8-32 X .375 LG	ATT PT	4
-272	2102368	• CLAMP, LOOP- 0.880 ID 0.200 DIA MTG HOLE		1
-273	186759	• SCREW, MACH-BIND HD 8-32 X 5/16 LG	ATT PT	2
-274	356742	• CLAMP, LOOP- 0.250 ID 0.177 DIA MTG HOLE		3
-275	186759	• SCREW, MACH-BIND HD 8-32 X 5/16 LG	ATT PT	3
-276	2102367	• CLAMP-LOOP		1
-277	186759	• SCREW, MACH-BIND HD 8-32 X 5/16 LG	ATT PT	1
-278	5213226	• CONNECTOR, MALE		1
-279	534768	• CLAMP, CABLE		2
-280	186759	• SCREW, MACH-BIND HD 8-32 X 5/16 LG	ATT PT	2
-281	327922	• CLAMP, CABLE-.625 DIAMETER		1
-282	327923	• CLAMP, CABLE		1
-283	186759	• SCREW, MACH-BIND HD 8-32 X 5/16 LG	ATT PT	2
-284	2102369	• CLAMP, LOOP- 1.230 ID 0.200 DIA MTG HOLE		1
-285	32042	• SCREW, MACH BIND. HD 10-32 X 3/8 LG.	ATT PT	1
-286	327922	• CLAMP, CABLE-.625 DIAMETER		4
-287	19944	• SCREW, MACH-BIND HD 8-32 X 3/4 LG	ATT PT	4
-289	760221	• TIE, CABLE		6
-290	524515	• CLAMP-ADJUSTABLE CABLE		2
-290	179207	• CLAMP-CABLE		1
-291	4636	• SCREW, MACH-FL CSK HD 8-32 X 3/8 LG	ATT PT	2
-292	523250	• CLAMP-ADJUSTABLE CABLE		2
-293	4636	• SCREW, MACH-FL CSK HD 8-32 X 3/8 LG	ATT PT	2
-299	597383	• JUMPER ASSEMBLY		AR
		SEE FIG. 79-46 FOR COMPONENT PART		
-299	5364141	• CABLE ASM-AC TO LOGIC GATE NO.1-GATE A,B		AR
-299	5364142	• CABLE ASM-AC TO LOGIC GATE NO.2-GATE A,B		AR
-299	5364143	• CABLE ASM-AC TO LOGIC GATE NO.1-GATE E,C		AR
-299	5364144	• CABLE ASM-AC TO LOGIC GATE NO.2-GATE E,C		AR
		SEE FIG. 79-17,-20A,28,-42C AND -42D		
		FOR COMPONENT PARTS		
-299	5364145	• CABLE ASSEMBLY-MEMORY BLOWERS		AR
		SEE FIG. 79-17,-20A,-28,-28M,-42C		
		AND -42D FOR COMPONENT PARTS		
-299	5364206	• CABLE ASSEMBLY-INVERTER/CONVERTER, OUTPUT		AR
		SEE FIG. 79-18,-28,-28A,-28M,-42B,-44,		
		-49 AND -50 FOR COMPONENT PARTS		
-299	5364207	• CABLE ASSEMBLY-DC CONTROL NO.1		AR
		SEE FIG. 79-20,-28,-28A,-28B,-28C,-28D,		
		-28M,-35,-42,-42B,-42C,-42D,-44,-50,		
		50A,-53,-54,-62,-125 AND -129		
		FOR COMPONENT PARTS		
-299	5364208	• CABLE ASSEMBLY-INTERNAL BIAS, CABLE NO.1		AR
		SEE FIG. 79-28,-28A,-28M,-33,-42B,-42C,		
		-44 AND -48 FOR COMPONENT PARTS		
-299	5364209	• CABLE ASSEMBLY-INTERNAL BIAS, CABLE NO.2		AR
		SEE FIG. 79-28,-33,42B,-42C,-44,		
		AND -48 FOR COMPONENT PARTS		
-299	5364231	• CABLE ASSEMBLY-OVERVOLTAGE		AR
		SEE FIG. 79-28,-28A,-28B,-42D,-52		
		AND -53 FOR COMPONENT PARTS		
-299	5364233	• CABLE ASSEMBLY-DC CONTROL NO.2		AR
		SEE FIG. 79-20,-28,-28A,-28B,-28C,-28D,		
		-28E,-28F,-28G,-28H,-28J,-28K,-28L,-28P,		
		-28U,-35,-42C,-42D,-53,-57A,-64,-103		
		AND -123 FOR COMPONENT PARTS		

LIST AND INDEX NUMBER	PART NUMBER	DESCRIPTION	UNITS PER ASM.	USABLE ON CODE
41 -299	5364236	• JUMPER ASSEMBLY SEE FIG. 79-56 FOR COMPONENT PART	AR	
-299	5364239	• CABLE ASSEMBLY-EXTERNAL SENSE SEE FIG. 79-3,-14,-26,-28,-28M,-29,-33,-34,-35,-37,-42 AND -42C FOR COMPONENT PARTS	AR	
-299	5364243	• CABLE ASSEMBLY-OPTIONAL SUPPLY INT. BIAS SEE FIG. 79-28,-33,-42B AND -42C FOR COMPONENT PARTS	AR	
-299	5364245	• CABLE ASM-OPTIONAL SUPPLY 1/C OUTPUT SEE FIG. 79-28,-42B AND -50A FOR COMPONENT PARTS	AR	
-299	5364278	• CABLE ASSEMBLY-DC DISTR TO CPU-UPPER TB	AR	
-299	5364282	• CABLE ASSEMBLY-DC DISTR TO MEMORY NO.1	AR	
-299	5364522	• CABLE ASSEMBLY-VOLTAGE DISTR TO EMULATOR	AR	
-299	5364562	• CABLE ASSEMBLY-SELECTOR CHANNEL I	AR	
-299	5364563	• CABLE ASSEMBLY-SELECTOR CHANNEL II	AR	
-299	5364564	• CABLE ASSEMBLY-SELECTOR CHANNEL III	AR	
-299	5364279	SEE FIG. 79-7,-8,-28,-28M AND -42E FOR COMPONENT PARTS • CABLE ASSEMBLY-DC DISTR TO CPU-UPPER TB SEE FIG. 79-7,-8,-28,-28M,-42E AND -44 FOR COMPONENT PARTS	AR	
-299	5364286	• JUMPER ASSEMBLY SEE FIG. 79-7,-8 AND -42E FOR COMPONENT PARTS	AR	
-299	5364530	• CABLE ASSEMBLY-CONTROL SEE FIG. 79-28,-35,-42C,-71,-72,-84 AND -85 FOR COMPONENT PARTS	AR	
-299	5364538	• CABLE ASSEMBLY- 512K PDU SEE FIG. 79-17,-20A,-28,-42C AND -42D FOR COMPONENT PARTS	AR	
-299	5366744	• CABLE ASSEMBLY- 1/O INTERFACE SEE FIG. 79-42,-64A AND -138 FOR COMPONENT PARTS	AR	
-299	237816	• JUMPER ASSEMBLY-CAPACITOR SEE FIG. 79-42E FOR COMPONENT PART	AR	
-299	598363	• JUMPER ASSEMBLY SEE FIG. 79-42B AND -48 FOR COMPONENT PARTS	AR	
-299	5495785	• CABLE ASSEMBLY	1	
-300	5407506	• FRAME ASM,PDU	1	
-301	5421379	• • BRACKET	4	
-302	234340	• • SCREW,ASM WASH-HEX HD SLOT 1/4-20 X 1/2 ATT PT	8	
-303	38686	• • SCREW,MACH-HEX HD 1/4-20 X 1/2 LG ATT PT	8	
-304	76574	• • LOCKWASHER-EXT TOOTH ID .267 X OD .510 ATT PT	8	
-305	3960	• • NUT,PLAIN,HEX- 1/4-20 X 7/16 FL W ATT PT	8	
-306	5421376	• • HOUSING,REGULATOR	1	
-307	234340	• • SCREW,ASM WASH-HEX HD SLOT 1/4-20 X 1/2 ATT PT	4	
-308	5421375	• • HOUSING,REGULATOR	1	
-309	234340	• • SCREW,ASM WASH-HEX HD SLOT 1/4-20 X 1/2 ATT PT	8	
-310	5462378	• • PLATE BALLAST-PDU	2	
-311	5462368	• • PLATE	1	
-312	5462369	• • PLATE BALLAST-PDU	2	
-313	322562	• • SCREW,BINDING HEAD 10-32 X 2 IN LONG ATT PT	5	
-314	9092	• • WASHER-LOCK,SPLIT RING, .194 ID .337OD ATT PT	5	
-315	167141	• • SPACER- .251 ID X .812 OD X .031 THK ATT PT	5	
-316	322029	• • SCREW,MACH-BIND HD 1/4-20 X 1/2 LG	4	
-317	5421374	• • HOUSING,AC POWER SUPPLY	1	
-318	234340	• • SCREW,ASM WASH-HEX HD SLOT 1/4-20 X 1/2 ATT PT	4	
-319	5372789	• • FRAME-PDU	1	
-320	5469510	• OUTRIGGER ASSEMBLY	2	
-321	5474701	• • LABEL	1	
-322	5469509	• • BRACKET	2	
-323	180072	• • SCREW,CAP-SLOTTED HEX HD 5/16-18 X 0.875LG ATT PT	4	
-323A	257983	• • WASHER,LOCK-SPLIT 5/16 ATT PT	4	
-324	5469508	• • CHANNEL	1	
-325	5477977	• • CASTER	2	
-328	5474758	• BAR,SUPPORT-OUTRIGGER FRAME	2	

FOR PARTS
NOT SHOWN
SEE FIG. 77
SHEET 1

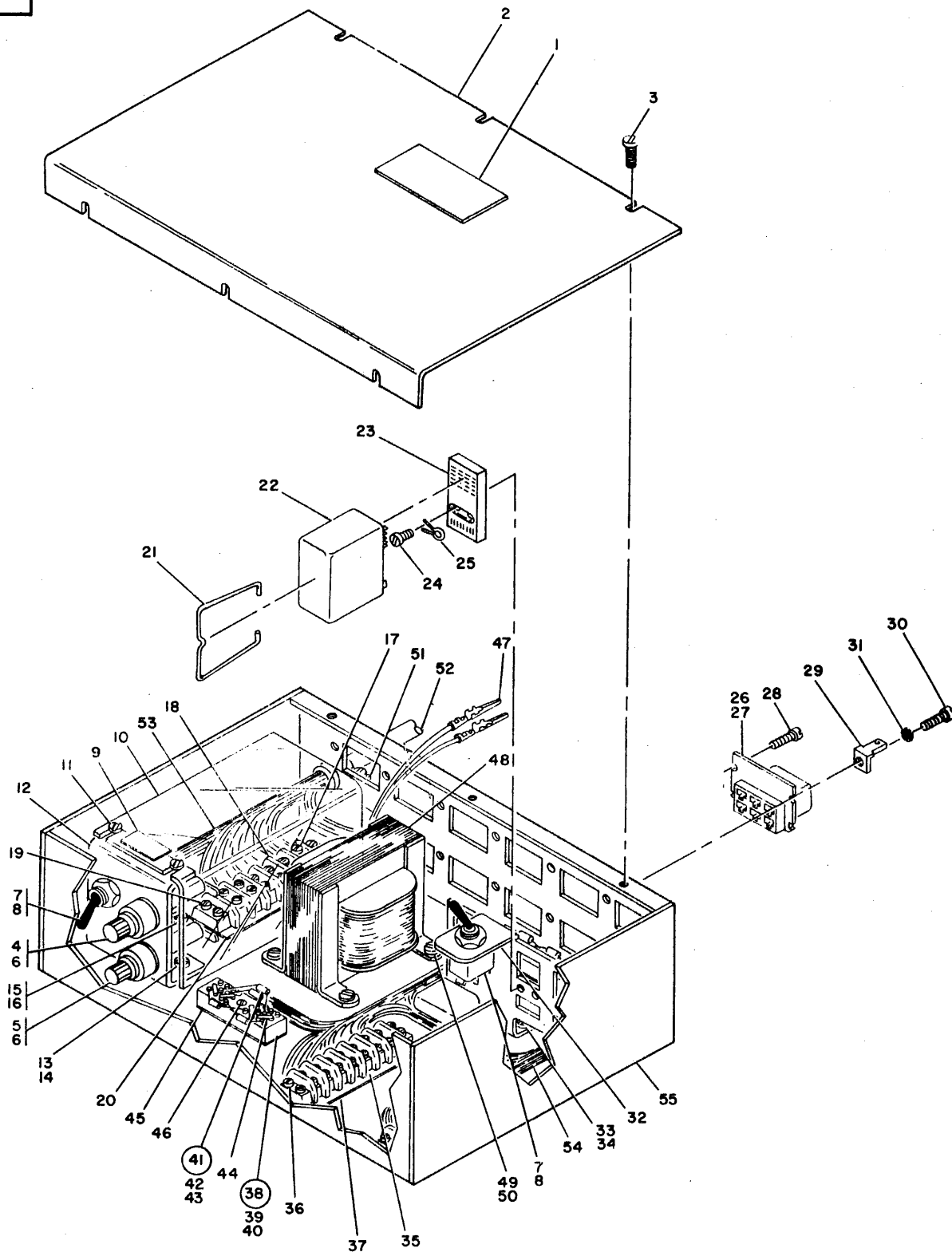


FIGURE 41A. EMERGENCY POWER-OFF CONTROL ASSEMBLY. SEE LIST 41A.

LIST AND INDEX NUMBER	PART NUMBER	DESCRIPTION	UNITS PER ASM.	USABLE ON CODE
		EMERGENCY POWER-OFF CONTROL ASSEMBLY	.	
41A-	5271793	EMERGENCY POWER-OFF CONTROL ASSEMBLY SEE FIG. 41-51A FOR NEXT HIGHER ASSEMBLY AND FIG. 41A FOR ILLUSTRATION	REF	
- 1	369207	. LABEL,VOLTAGE	1	
- 2	5271787	. COVER	1	
- 3	10170	. SCREW,MACH-BIND HD 6-32 X 1/4 LG ATT PT	6	
- 4	303805	. FUSE,1/4AMP SLO BLO- 250V	1	
- 5	6325	. FUSE,1 AMP	1	
- 6	360882	. FUSEHOLDER- 15 AMP 250V AC	2	
- 7	313246	. SWITCH,TOGGLE	1	
- 8	334635	. WASHER,LOCK-INT TEETH 0.476 ID 0.600 OD	1	
- 9	138754	. DECAL,VOLTAGE	1	
- 10	5271792	. COVER	1	
- 11	10170	. SCREW,MACH-BIND HD 6-32 X 1/4 LG ATT PT	2	
- 12	5271795	. BRACKET	1	
- 13	10170	. SCREW,MACH-BIND HD 6-32 X 1/4 LG ATT PT	2	
- 14	56722	. WASHER,LOCK-EXT TEETH NO. 6 ATT PT	2	
- 15	221790	. SCREW,MACH-BIND HD 8-32 X 3/16 LG	1	
- 16	55901	. WASHER,LOCK-EXT TEETH NO. 8 X 0.381 OD	1	
- 17	334921	. TERMINAL-RING,18-22 AWG,#6 HOLE,INS	6	
- 18	317131	. TERMINAL BOARD- 6 DBL SCREW TERMINALS	1	
- 19	35739	. SCREW,MACH-BIND HD 6-32 X 15/16 LG ATT PT	4	
- 20	513740	. MARKER STRIP- 6 POS NOS. 1 THRU 6	1	
- 21	5318966	. RETAINER-RELAY	3	
- 22	5271785	. RELAY,ENCLOSED 4PDT 5AMP- 20VDC	3	
- 23	5318967	. SOCKET,4 POSITION RELAY	3	
- 24	251970	. SCREW-MACH BD. HD. 4-40 X 1/4 LG	3	
- 25	5364197	. GROUND-RELAY	3	
- 26	5351177	. TERMINAL,SLIP ON-18-22 AWG	24	
- 27	523269	. CONNECTOR-ELECT 6 POS INSERT	12	
- 28	251970	. SCREW-MACH BD. HD. 4-40 X 1/4 LG ATT PT	24	
- 29	5271288	. TERMINAL,FIXED TAB	12	
- 30	438548	. SCREW,MACH-BIND HD 4-40 X 3/16 LG ATT PT	12	
- 31	338169	. WASHER,LOCK-EXT TEETH NO. 4 X .260 OD ATT PT	12	
- 32	5271786	. BRACKET	1	
- 33	10170	. SCREW,MACH-BIND HD 6-32 X 1/4 LG ATT PT	2	
- 34	56722	. WASHER,LOCK-EXT TEETH NO. 6 ATT PT	2	
- 35	512071	. TERMINAL BOARD- 7 DBL SCREW TERMINALS	2	
- 36	81693	. SCREW,MACH-BIND HD 6-32 X 3/8 LG ATT PT	8	
- 37	362243	. MARKER,TERMINAL STRIP	2	
- 38	302090	. CONNECTOR,RECP,ELEC- 24 FEMALE CONTACTS	2	
- 39	302088	. TERMINAL BOARD	1	
- 40	302089	. SPRING-TERMINAL BOARD CONTACT	8	
- 41	615354	. DIODE ASM- SILICON- TYPE AM	7	
- 42	187243	. TERMINAL,SMALL TAPER	2	
- 43	2111232	. SEMICONDUCTOR DEVICE,DIODE-TYPE AM	1	
- 44	205329	. JUMPER-BRASS,3/16	8	
- 45	302131	. INSULATOR,TERMINAL BLOCK	2	
- 46	236550	. SCREW,MACH-BIND HD 4-40 X 0.375 LG ATT PT	2	
- 47	360433	. TERMINAL-PLUG,16-18 AWG	2	
- 48	5313144	. TRANSFORMER-ISOLATION	1	
- 49	58207	. SCREW,MACH-UNDRCT BIND HD 8-32 X 1/4 LG ATT PT	4	
- 50	55901	. WASHER,LOCK-EXT TEETH NO. 8 X 0.381 OD ATT PT	5	
- 51	2100264	. RELIEF,CABLE STRAIN	1	
- 52	5271789	. CABLE ASM	1	
- 53	5271790	. CABLE ASSEMBLY	1	
- 54	5271791	. CABLE ASSEMBLY	1	
- 55	5271788	. BOX	1	

FOR PARTS
NOT SHOWN
SEE FIG. 41
SHEET I

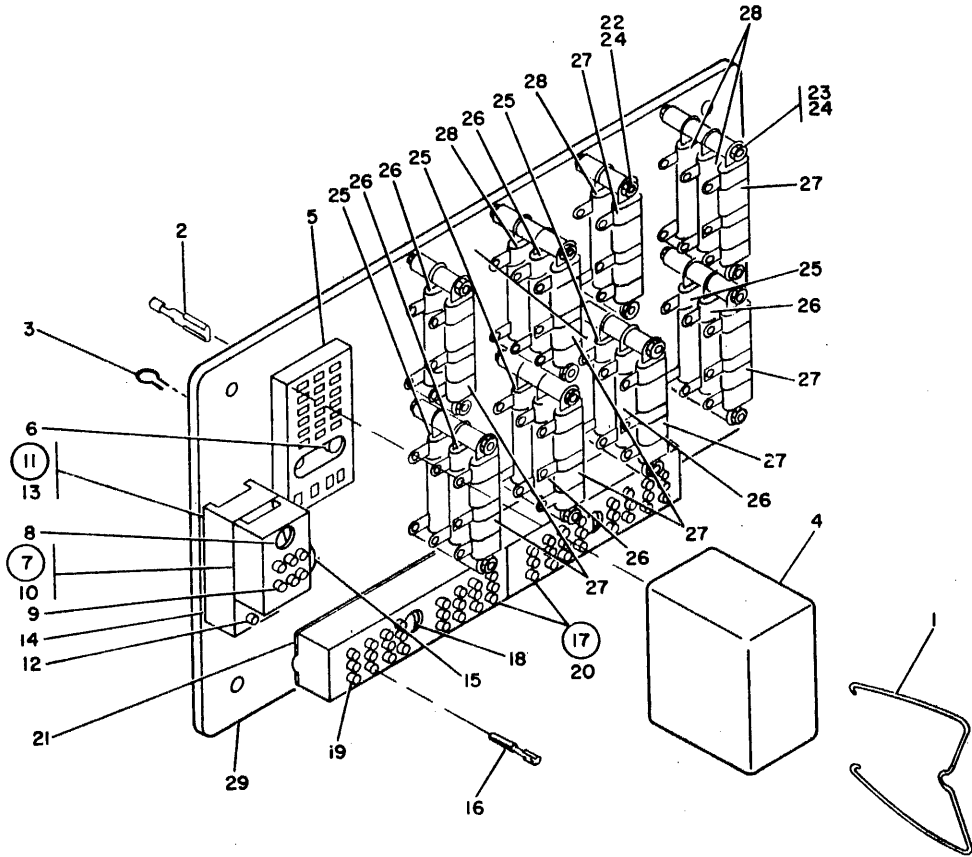


FIGURE 42. DIVIDER ASSEMBLY. SEE LIST 42.

LIST AND INDEX NUMBER	PART NUMBER	DESCRIPTION	UNITS	USABLE
			PER ASM.	ON CODE
		1 2 3 4		
		DIVIDER ASSEMBLY		
		CODE 1 USED ON ASM PRIOR TO H9 SUFFIX CODE 2 USED ON ASM FROM H9 TO CURRENT		
42 -	5364140	DIVIDER ASSEMBLY SEE FIG. 41-58 FOR NEXT HIGHER ASSEMBLY AND FIG. 42 FOR ILLUSTRATION	REF	
- 1	5351163	• RETAINER-RELAY	1	
- 2	5276375	• TERMINAL LUG-NONINS 20-18AWG SLIP-ON	14	
- 3	5364197	• GROUND-RELAY	1	
- 4	5351156	• RELAY,ARM-COIL 24V CONT 30V 5 AMP 6POT	1	
- 5	5351139	• SOCKET,RELAY- 6 POSITION	1	
- 6	438548	• SCREW,MACH-BIND HD 4-40 X 3/16 LG ATT PT	1	
- 7	324513	• TERMINAL BOARD ASSEMBLY- 6 FEEDTHRU TERM	1	1
- 8	438550	• SCREW,MACH-BIND HD 4-40 X 1/2 LG ATT PT	1	1
- 8	236550	• SCREW,MACH-BIND HD 4-40 X 0.375 LG ATT PT	1	2
- 9	302089	• SPRING-TERMINAL BOARD CONTACT	2	1
- 10	324514	• TERMINAL BOARD- 6 POSITION BLANK	1	1
- 11	317767	• TERMINAL BOARD ASM- 12 FEEDTHRU TERMINAL	1	
- 12	302089	• SPRING-TERMINAL BOARD CONTACT	4	
- 13	317768	• TERMINAL BOARD- 12 POSITION BLANK	1	
- 14	317766	• INSULATOR-TERMINAL BLOCK	1	
- 15	317138	• GROMMET,RUB-FOR 7/16 HOLE X 1/8 PNL	1	
- 16	600844	• TERMINAL, SMALL TAPER, 55-24 AWG	19	
- 17	302090	• CONNECTOR,RECP,ELEC- 24 FEMALE CONTACTS	2	
- 18	438550	• SCREW,MACH-BIND HD 4-40 X 1/2 LG ATT PT	2	
- 19	302089	• SPRING-TERMINAL BOARD CONTACT	8	
- 20	302088	• TERMINAL BOARD	1	
- 21	302131	• INSULATOR,TERMINAL BLOCK	2	
- 22	438554	• SCREW,MACH-BIND HD 4-40 X 1 LG	4	
- 23	438555	• SCREW,MACH-UNDRCT BIND HD 4-40 X 1-1/4	12	
- 24	1127763	• NUT	32	

FOR PARTS
NOT SHOWN
SEE FIG. 41
SHEET 2

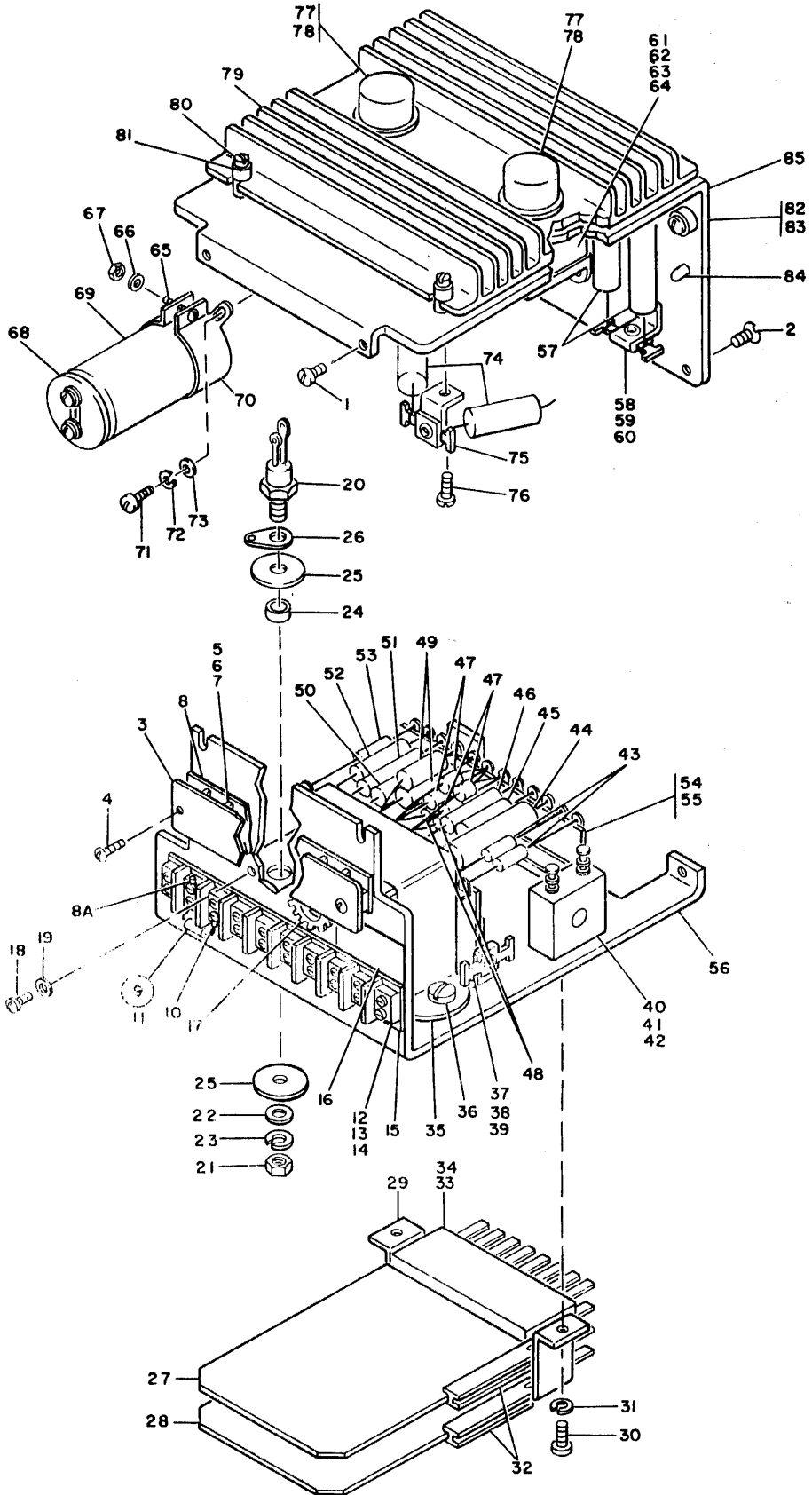


FIGURE 43. 6VDC AT 2.5A POWER SUPPLY ASSEMBLY. SEE LIST 43.

LIST AND INDEX NUMBER	PART NUMBER	DESCRIPTION	UNITS PER ASM.	USABLE ON CODE
		6VDC AT 2.5A POWER SUPPLY ASSEMBLY		
43 -	5712120	POWER SUPPLY ASM, 6VDC AT 2.5A FOR NEXT HIGHER ASM SEE FIG. 41-61 FOR ILLUSTRATION SEE FIG. 43	REF	
- 1	38235	• SCREW,MACH-BIND HD 6-32 X 0.312 LG	2	
- 2	38443	• SCREW,MACH-FL CSK HD 6-32 X 5/16 LG	2	
- 3	5276259	• COVER-TERMINAL BLOCK 6 POS	1	
- 4	10170	• SCREW,MACH-BIND HD 6-32 X 1/4 LG	2	ATT PT
- 5	5276265	• BLOCK-TERMINAL 6 POS 20 AMP	1	
- 6	210883	• STUD-SHIELD MTG TAPPED 6-32	2	ATT PT
- 7	56722	• WASHER,LOCK-EXT TEETH NO. 6	2	ATT PT
- 8	5266157	• MARKET STRIP - 6 POS	1	
- 8A	334921	• TERMINAL-RING, 18-22 AWG, NO. 6 HOLE, INS	4	
- 9	5708939	• CAPACITOR ASM- 0.100 MFD P/M 10% 100VDC	1	
- 10	334921	• TERMINAL-RING, 18-22 AWG, NO. 6 HOLE, INS	2	
- 11	217077	• CAPACITOR,FXD,POLY- 0.1 MFD P/M 10% 100V	1	
- 12	317145	• TERMINAL BOARD - 8 DBL SCREW TERMINALS	1	
- 13	322550	• SCREW,MACH-BIND HD 6-32 X 1/2 LG	4	ATT PT
- 14	56722	• WASHER,LOCK-EXT TEETH NO. 6	4	ATT PT
- 15	322267	• MARKER STRIP- 8 POS	1	
- 16	5261412	• LABEL- AC INPUT	1	
- 17	730432	• GROMMET,CATERPILLER	1	
- 18	10170	• SCREW,MACH-BIND HD 6-32 X 1/4 LG	1	
- 19	56722	• WASHER,LOCK-EXT TEETH NO. 6	1	
- 20	995256	• SEMICONDUCTOR DEVICE,DIODE- 5V 2AMP	1	
- 21	160017	• NUT,PLAIN,HEX- 1/4-28 X 7/16 FL W	1	ATT PT
- 22	3550	• WASHER,FL- 1/4 X 9/16 OD X 0.050 THK	1	ATT PT
- 23	76574	• WASHER,LOCK-EXT TOOTH 0.267 ID X 0.510 OD	1	ATT PT
- 24	5351173	• BUSHING-INSULATOR	1	
- 25	529691	• WASHER,MICA	2	
- 26	322765	• TERMINAL,LUG	1	
- 27	374812	• CARD ASSEMBLY-TSTR	1	
- 28	374989	• CARD ASSEMBLY-TSTR	1	
- 29	473530	• BRACKET-PLUG SUPPORT	1	
- 30	10170	• SCREW,MACH-BIND HD 6-32 X 1/4 LG	2	ATT PT
- 31	56722	• WASHER,LOCK-EXT TEETH NO. 6	2	ATT PT
- 32	216206	• GUIDE-SINGLE CARD LONG	2	
- 33	216076	• TERMINAL BLOCK AND CONTACT ASSEMBLY	2	
- 34	473547	• SPACER - 0.12 IN. THK	1	
- 35	5213503	• TRANSFORMER - 2500 CPS SQUARE WAVE	1	
- 36	221790	• SCREW,MACH-BIND HD 8-32 X 3/16 LG	2	ATT PT
- 37	478045	• TERMINAL,SOLDER	1	
- 38	55726	• SCREW,MACH-BIND HD 6-32 X 0.188 LG	1	ATT PT
- 39	56722	• WASHER,LOCK-EXT TEETH NO. 6	1	ATT PT
- 40	5266049	• COIL-ENCAP SATURABLE 320000 TURNS	1	
- 41	257187	• NUT,PLAIN,HEX- 6-32 X 3/8 FL W	4	ATT PT
- 42	56722	• WASHER,LOCK-EXT TEETH NO. 6	2	ATT PT
- 43	2111232	• SEMICONDUCTOR DEVICE,DIODE- TYPE AM	2	
- 44	369849	• CAPACITOR,ELECT- 50MFD 100 P/M 10% 2W	1	
- 45	492448	• RESISTOR,FXD,FILM- 130 OHMS P/M 5% 2W	1	
- 46	210324	• RESISTOR,FXD, WW- 0.1 OHM P/M 5% 5W	1	
- 47	5762086	• DIODE ASSEMBLY	4	
- 48	419190	• CAPACITOR,CERAMIC- 0.01 MFD P/M 10% 75 VDC	2	
- 49	334900	• RESISTOR,FXD,FILM- 43 OHMS P/M 5% 2W	2	
- 50	132784	• RESISTOR,FXD,COMP- 120 OHMS P/M 5% 1W	1	
- 51	491237	• RESISTOR,FXD,FILM- 68 OHMS P/M 5% 1W	1	
- 52	335138	• RESISTOR,FXD,COMP- 200 OHMS P/M 5% 2W	1	
- 53	323918	• RESISTOR,FXD,FILM- 180 OHMS P/M 5% 1/2W	1	
- 54	322887	• STRIP,TERMINAL- 12 POSITIONS	2	
- 55	55726	• SCREW,MACH-BIND HD 6-32 X 0.188 LG	4	ATT PT
- 56	5712123	• PLATE-TOP	1	
- 57	207310	• CAPACITOR,FXD,ELECT- 100 MFD 100 P/M 10% 25V	2	
- 58	478045	• TERMINAL,SOLDER	2	
- 59	55726	• SCREW,MACH-BIND HD 6-32 X 0.188 LG	2	ATT PT
- 60	56722	• WASHER,LOCK-EXT TEETH NO. 6	2	ATT PT
- 61	5261424	• CHOKE,FILTER- 0.0001 HENRIES AT 5VRMS, 12ADC	1	
- 62	55726	• SCREW,MACH-BIND HD 6-32 X 0.188 LG	2	ATT PT
- 63	56722	• WASHER,LOCK-EXT TEETH NO. 6	2	ATT PT
- 64	257986	• WASHER,FLAT- NO. 6	2	ATT PT
- 65	322065	• SCREW,MACH-BIND HD 6-32 X 5/8 LG	1	
- 66	56722	• WASHER,LOCK-EXT TEETH NO. 6	1	
- 67	257187	• NUT,PLAIN,HEX- 6-32 X 3/8 FL W	1	
- 68	5261296	• COVER-CAPACITOR	1	
- 69	5253847	• CAPACITOR,ELECT- 16000 MFD 100 P/M 10% 10VDC	1	
- 70	445304	• CLAMP	1	

FOR PARTS
NOT SHOWN
SEE FIG. 41
SHEET 2

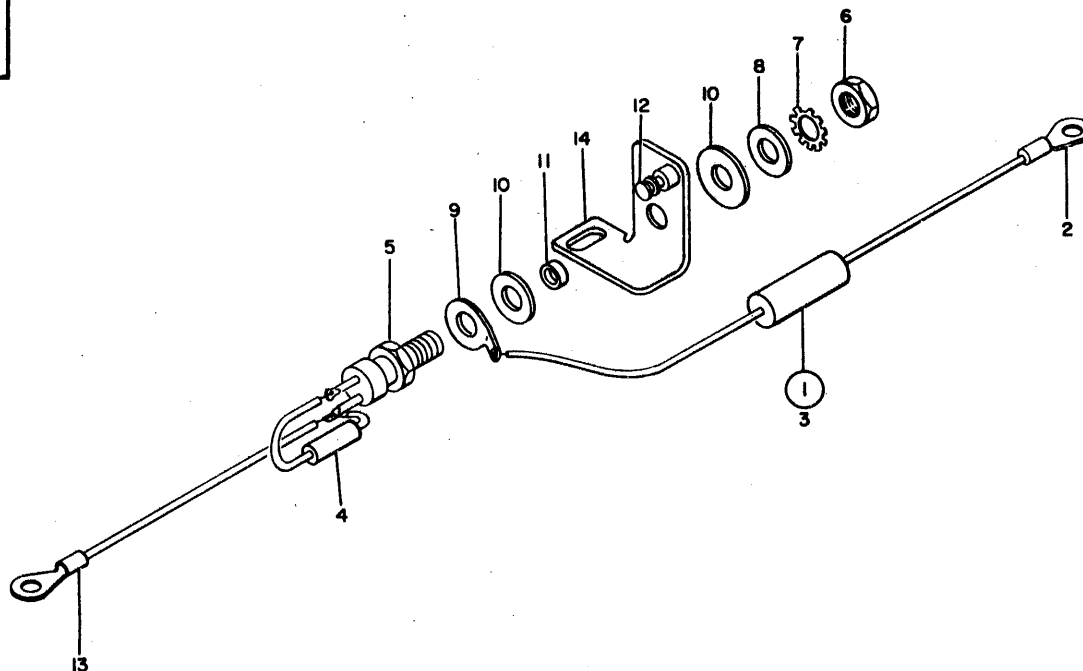


FIGURE 44. 3V,6V OVERVOLTAGE AND 60V REGULATOR SCR ASSEMBLIES. SEE LIST 44.

LIST AND INDEX NUMBER	PART NUMBER	DESCRIPTION				UNITS PER ASM.	USABLE ON CODE
		1	2	3	4		
		3V,6V OVERVOLTAGE AND 60V REGULATOR SCR ASSEMBLIES					
44 -		CODE A USED ON ASM 5351140 CODE B USED ON ASM 5351170 CODE C USED ON ASM 5361903					
-	5351140	OVERVOLTAGE S.C.R. ASSEMBLY,6V SEE FIG. 41-63 FOR NEXT HIGHER ASSEMBLY AND FIG. 44 FOR ILLUSTRATION				REF	A
-	5351170	OVERVOLTAGE S.C.R. ASSEMBLY,-3V SEE FIG. 41-62 FOR NEXT HIGHER ASSEMBLY AND FIG. 44 FOR ILLUSTRATION				REF	B
-	5361903	REGULATOR S.C.R. ASSEMBLY,60V SEE FIG. 41-64 FOR NEXT HIGHER ASSEMBLY AND FIG. 44 FOR ILLUSTRATION				REF	C
- 1	5351143	• RESISTOR ASSEMBLY-0.10 OHMS 5W				1	A
- 1	5351169	• RESISTOR ASSEMBLY-0.05 OHMS 5W				1	B
- 1	5351198	• RESISTOR ASSEMBLY-1 OHM 5W				1	C
- 2	94856	• • LUG,TERMINAL				1	
- 3	207324	• • RESISTOR,FXD,WW- 0.1 OHM P/M 5% 5W USED ON RESISTOR ASM .1 OHM				1	
- 3	208225	• • RESISTOR,FXD,WW- 5 OHMS 5PCT 5W USED ON RESISTOR ASM .05 OHM				1	
- 3	207320	• • RESISTOR,WIREWOUND,AX.LEAD 1 OHM 5% 5W USED ON RESISTOR ASM 1 OHM				1	
- 4	491017	• CAPACITOR,ELECTROLYTIC-5 UF P/M20% 50VDC				1	A
- 4	492570	• CAPACITOR,TANTALUM-220 UUF P/M 20% 10VDC				1	B
- 4	491017	• CAPACITOR,ELECTROLYTIC-5 UF P/M20% 50VDC				1	C
- 5	483328	• SEMICONDUCTOR DEVICE,DIODE				1	A
- 5	483328	• SEMICONDUCTOR DEVICE,DIODE				1	B
- 5	483327	• SEMICONDUCTOR DEVICE,DIODE				1	C
- 6	160017	• NUT,PLAIN,HEX- 1/4-28 X 7/16 FL W				1	
- 7	76574	• LOCKWASHER-EXT TOOTH ID .267 X OD .510				1	
		ATT PT ATT PT					

FOR PARTS
NOT SHOWN
SEE FIG. 41,65,75
SHEET 2, 1,2

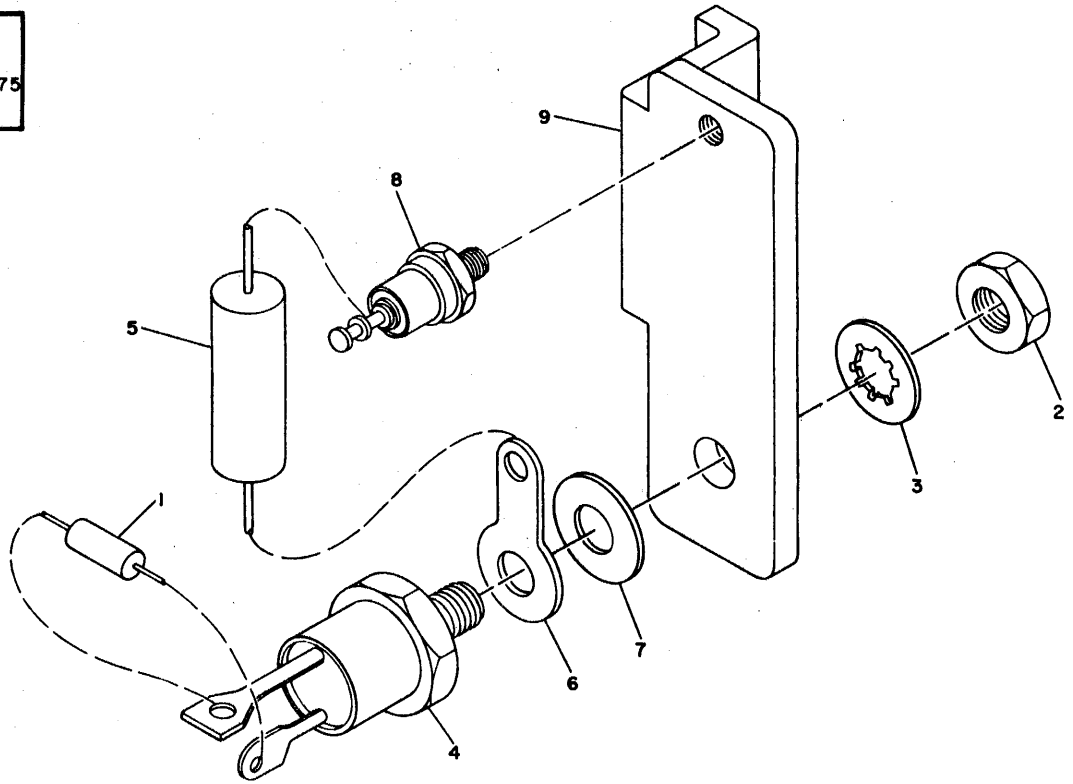


FIGURE 45. TERMINAL BOARD-REMOTE O/V-O/C. SEE LIST 45.

LIST AND INDEX NUMBER	PART NUMBER	DESCRIPTION				UNITS PER ASM.	USABLE ON CODE
		1	2	3	4		
		TERMINAL BOARD-REMOTE O/V-O/C					
45 -	5708902	REMOTE O/V-O/C ASM SEE FIG. 41-65, 65-67 AND 75-76 FOR NEXT HIGHER ASSEMBLY AND FIG. 45 FOR ILLUSTRATION				REF	
- 1	491228	• CAPACITOR,FXD,FILM- 0.01MF P/M 10% 100V				1	
- 2	160017	• NUT,PLAIN,HEX- 1/4-28 X 7/16 FL W				1	
- 3	65756	• WASHER,LOCK-INT TEETH 0.267 ID X 0.478OD				1	
- 4	595256	• SEMICONDUCTOR DEVICE,O10- 5V 2 AMP				1	
- 5	207324	• RESISTOR,FXD,WW- 0.1 OHM P/M 5% 5W				1	
- 6	322765	• TERMINAL,LUG				1	
- 7	3550	• WASHER,FL- 1/4 X 9/16 OD X 0.050 THK				1	
- 8	5261459	• TERMINAL,STANDOFF				2	
- 9	5708926	• BRACKET				1	

FOR PARTS
NOT SHOWN
SEE FIG. 41
SHEET 2

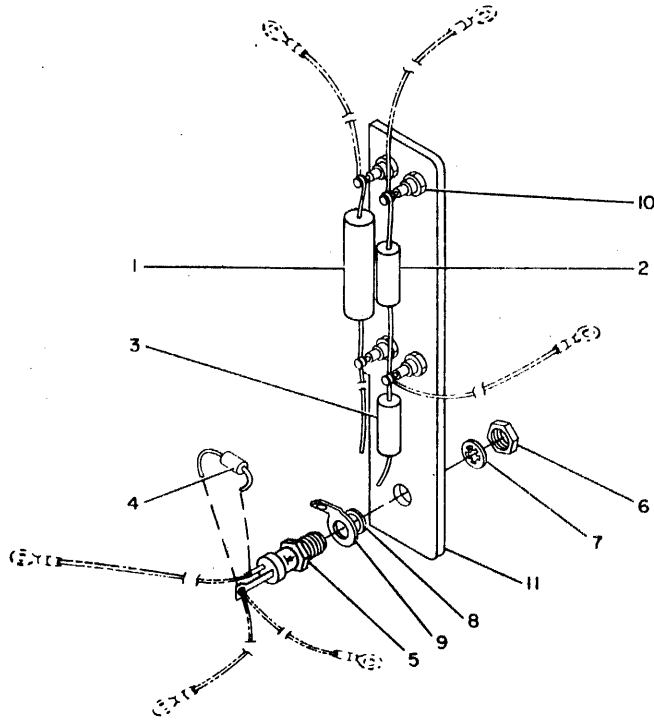


FIGURE 46. REMOTE O/V-OC ASSEMBLY. SEE LIST 46.

LIST AND INDEX NUMBER	PART NUMBER	DESCRIPTION				UNITS PER ASM.	USABLE ON CODE
		1	2	3	4		
		REMOTE O/V-O/C ASSEMBLY					
46 -	5708903	REMOTE O/V-O/C ASSEMBLY SEE FIG. 41-66 FOR NEXT HIGHER ASSEMBLY AND FIG. 46 FOR ILLUSTRATION				REF	
- 1	207324	• RESISTOR,FXD,WW- 0.1 OHM P/M 5% 5W				1	
- 2	481484	• RESISTOR				1	
- 3	481921	• RESISTOR,PRECISION 115 OHMS				1	
- 4	491228	• CAPACITOR,FXD,FILM- 0.01MF P/M 10% 100V				1	
- 5	595256	• SEMICONDUCTOR DEVICE,D10- 5V 2 AMP				1	
- 6	160017	• NUT,PLAIN,HEX- 1/4-28 X 7/16 FL W				1	ATT PT
- 7	65756	• WASHER,LOCK-INT TEETH 0.267 ID X 0.4780D				1	ATT PT
- 8	3550	• WASHER,FL- 1/4 X 9/16 OD X 0.050 THK				1	ATT PT
- 9	322765	• TERMINAL,LUG				1	
- 10	5261459	• TERMINAL,STANDOFF				4	
- 11	5708927	• BRACKET,MOUNTING,REMOTE O/V-O/C				1	

FOR PARTS
NOT SHOWN
SEE FIG. 41
SHEET 2

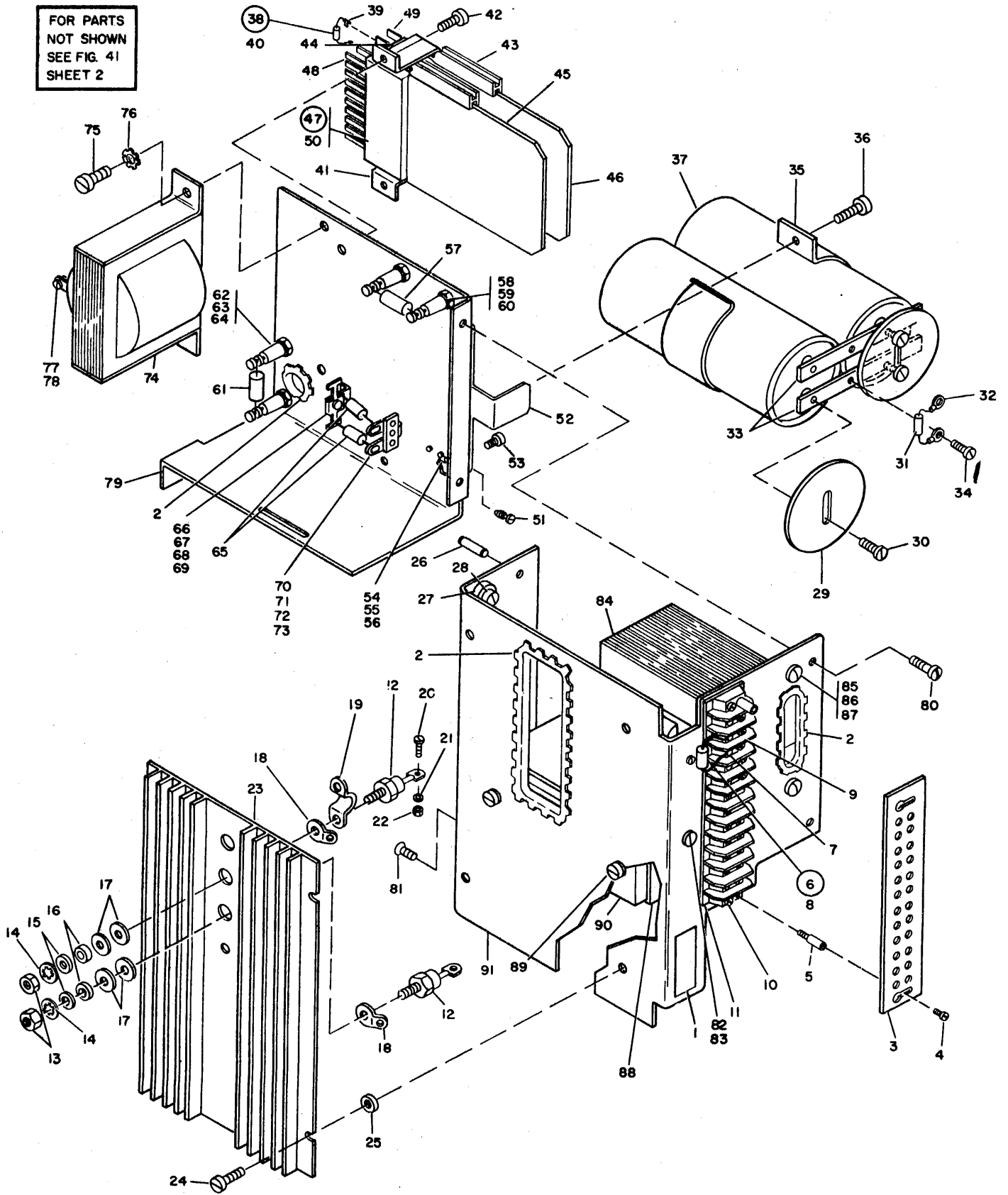


FIGURE 47. 3V AT 40 AMP MAGNETIC AMPLIFIER ASSEMBLY. SEE LIST 47.

LIST AND INDEX NUMBER	PART NUMBER	DESCRIPTION				UNITS PER ASM.	USABLE ON CODE
		1	2	3	4		
		3V AT 40 AMP MAGNETIC AMPLIFIER ASSEMBLY					
47 -	5261220	MAGNETIC AMPLIFIER ASSEMBLY, 3V AT 40A USED PRIOR TO N9 SUFFIX SEE FIG. 41-67 FOR NEXT HIGHER ASSEMBLY AND FIG. 47 FOR ILLUSTRATION				REF	
- 1	5261412	• LABEL				1	
- 2	730432	• GROMMET, CATERPILLAR				3	
- 3	191481	• SHIELD, TERMINAL BLOCK				1	
- 4	210984	• SCREW, RD HD MACH-6-32 X .250 LG				1	ATT PT
- 5	5261627	• STUD, EXTENSION				1	
- 6	5708939	• CAPACITOR ASM- 0.100MFD P/M 10% 100VDC				1	
- 7	334921	• TERMINAL-RING, 18-22 AWG, #6 HOLE, INS				2	
- 8	217077	• CAPACITOR, FXD-POLY- .1MFD P/M 10% 100VDC				1	
- 9	323839	• TERMINAL BOARD- 12 DBL SCREW TERMINALS				1	
- 10	5261626	• STUD				3	ATT PT
- 11	806569	• STRIP, MARKER				1	
- 12	5213402	• RECTIFIER, SILICON				4	
- 13	160017	• NUT, PLAIN, HEX- 1/4-28 X 7/16 FL W				4	ATT PT
- 14	65756	• WASHER, LOCK-INT TEETH 0.267 ID X 0.4780D				4	ATT PT
- 15	3550	• WASHER, FL- 1/4 X 9/16 OD X 0.050 THK				4	ATT PT
- 16	473592	• INSULATOR				3	
- 17	217017	• WASHER-INSULATING				6	
- 18	322765	• TERMINAL, LUG				1	
- 19	5261606	• JUMPER PLATE				1	
- 20	81693	• SCREW, MACH-BIND HD 6-32 X 3/8 LG				1	
- 21	56722	• WASHER, LOCK-EXT TEETH NO. 6				2	
- 22	38051	• NUT, PLAIN, HEX- 6-32 X 1/4 FL W STL				1	
- 23	5261322	• HEAT SINK				1	
- 24	34512	• SCREW, BIND, HD 8-32 X .375 LG				4	ATT PT
- 25	337549	• INSULATOR - HEAT SINK MOUNTING				4	
- 26	5261379	• PIN, STRAIGHT DOWEL				2	
- 27	5261315	• ADAPTER-CAPTIVE SCREW				2	
- 28	5261314	• SCREW, CAPTIVE- 10-32 X 1/2 LG				2	ATT PT
- 29	5240477	• SHIELD, CAPACITOR				2	
- 30	332620	• SCREW, MACH-BIND HD 10-32 X 1/2 LG				4	ATT PT
- 31	216792	• RESISTOR				1	
- 32	334932	• TERMINAL-RING, 18-22 AWG, #10 HOLE, INS				2	
- 33	5261327	• BUS BAR				2	
- 34	236849	• SCREW, MACH-BIND HD 10-32 X 0.250 LG				4	ATT PT
- 35	5261324	• BRACKET				1	
- 36	332620	• SCREW, MACH-BIND HD 10-32 X 1/2 LG				1	ATT PT
- 37	5709381	• CAPACITOR, FIXED, ELECT-100,000 UF 6V				2	
- 38	5261789	• CAPACITOR ASSEMBLY, 0.022UF, PORM 10 PCT				2	
- 39	334932	• TERMINAL-RING, 18-22 AWG, #10 HOLE, INS				2	
- 40	492503	• CAPACITOR, FXD, PAPER DIELECTRIC, 0.015UF				1	
- 41	473530	• BRACKET				1	
- 42	55726	• SCREW, MACH-BIND HD 6-32 X .188 LG				2	ATT PT
- 43	216207	• GUIDE-SINGLE CARD SHORT				2	
- 44	473547	• SPACER, 1 X 2 3/8 IN .12 IN THICK				1	
- 45	372973	• CARD				1	
- 46	372966	• CARD				1	
- 47	216076	• TERMINAL BLOCK AND CONTACT ASSEMBLY				2	
- 48	216088	• SPRING-CONTACT				8	
- 49	216087	• SPRING-CONTACT				8	
- 50	216073	• TERMINAL BLOCK AND CONTACT ASSEMBLY				1	
- 51	5261354	• SCREW, MACH, CAPTIVE- 6-32 X 3/8 LG				1	
- 52	5261316	• BRACKET, CARD RETAINING				1	
- 53	479714	• SCREW, SHLDR-FLAT HD 4-40 X 19/64 LG				1	ATT PT
- 54	5261317	• BRACKET				1	
- 55	55726	• SCREW, MACH-BIND HD 6-32 X .188 LG				2	ATT PT
- 56	56722	• WASHER, LOCK-EXT TEETH NO. 6				2	ATT PT
- 57	509638	• RESISTOR, FXD 620 OHM P/M 5 PCT 2W				1	
- 58	533534	• TERMINAL				2	
- 59	10170	• SCREW, MACH-BIND HD 6-32 X 1/4 LG				2	ATT PT
- 60	62031	• WASHER, LOCK-INT TEETH NO. 6 X 0.295 OD				2	ATT PT
- 61	335017	• RESISTOR, FIXED COMP 240 OHMS PM 5% 1W				1	
- 62	533534	• TERMINAL				2	
- 63	10170	• SCREW, MACH-BIND HD 6-32 X 1/4 LG				2	ATT PT
- 64	62031	• WASHER, LOCK-INT TEETH NO. 6 X 0.295 OD				2	ATT PT
- 65	317019	• RESISTOR, FXD, COMP- 2000 OHMS P/M 5% 1/2W				2	
- 66	314047	• TERMINAL BOARD- 2 SOLDER LUGS				1	
- 67	38235	• SCREW, MACH-BIND HD 6-32 X 0.312 LG				1	ATT PT
- 68	62031	• WASHER, LOCK-INT TEETH NO. 6 X 0.295 OD				1	ATT PT
- 69	257187	• NUT, PLAIN, HEX- 6-32 X 3/8 FL W				1	ATT PT
- 70	478045	• TERMINAL, SOLDER				1	

FOR PARTS
NOT SHOWN
SEE FIG. 41
SHEET 2

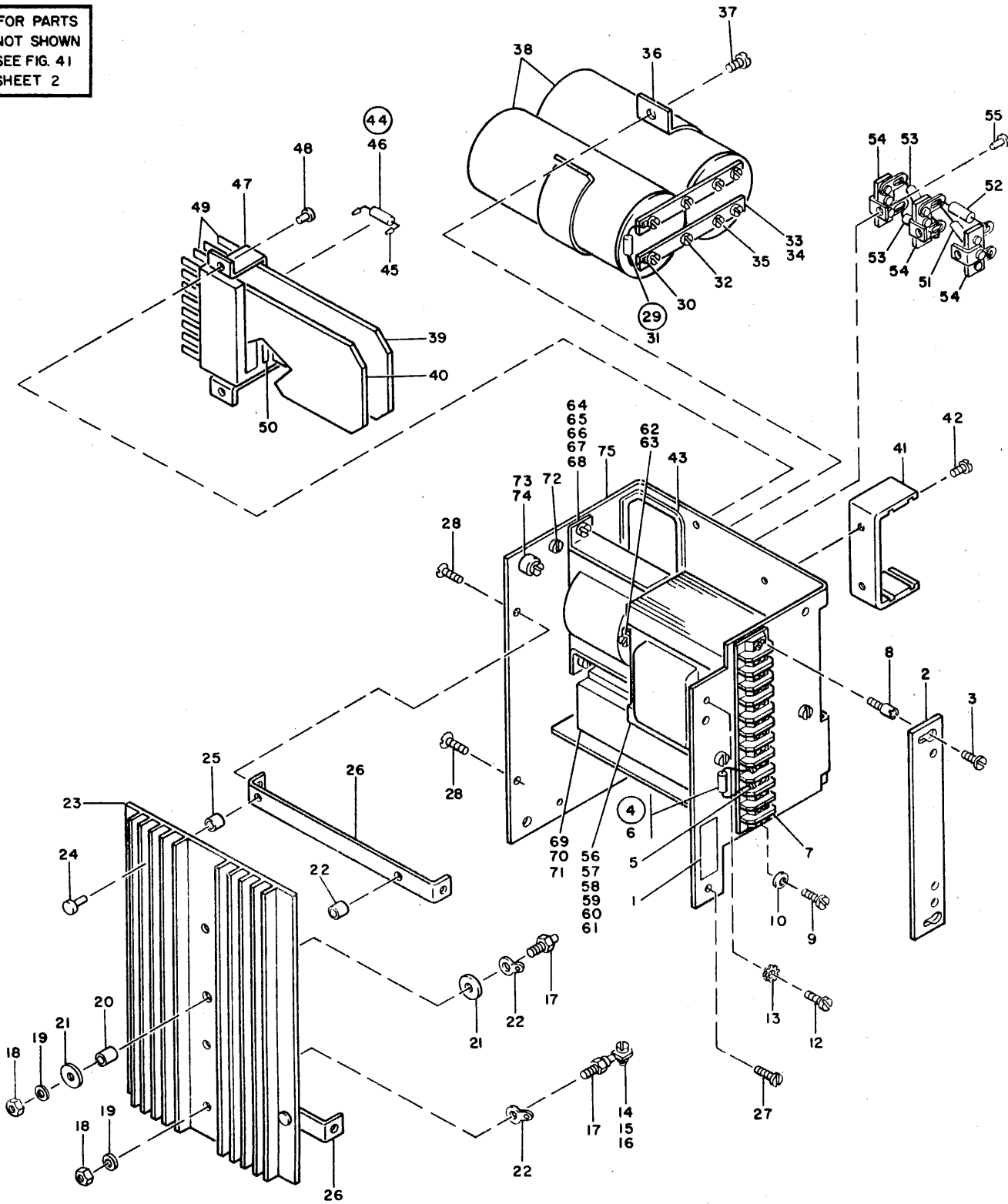


FIGURE 47A. 3V AT 40 AMP MAGNETIC AMPLIFIER ASSEMBLY. SEE LIST 47A.

LIST AND INDEX NUMBER	PART NUMBER	DESCRIPTION				UNITS PER ASM.	USABLE ON CODE
		1	2	3	4		
		3V AT 40 AMP MAGNETIC AMPLIFIER ASSEMBLY					
47A-	5261220	MAGNETIC AMPLIFIER ASSEMBLY, 3V AT 40A USED FROM N9 SUFFIX TO CURRENT FOR NEXT HIGHER ASSEMBLY SEE FIG. 41-67 FOR ILLUSTRATION SEE FIG. 47A				REF	
- 1	5261412	. LABEL				1	
- 2	352825	. COVER				1	
- 3	10170	. SCREW, MACH-BIND HD 6-32 X 1/4 LG ATT PT				2	
- 4	5708939	. CAPACITOR ASM- 0.1 MFD P/M 10% 100 VDC				1	
- 5	334921	. . TERMINAL-RING 18-22 AWG, NO. 6 HOLE, INS				2	
- 6	217077	. . CAPACITOR, FXD-POLY 0.1 MFD P/M 10% 100 VDC				1	
- 7	323839	. TERMINAL BOARD- 12 DBL SCREW TERMINALS				1	
- 8	5762407	. STUD, TAPPED MOUNTING ATT PT				2	
- 9	81693	. SCREW, MACH-BIND HD 6-32 X 3/8 LG ATT PT				2	
- 10	257986	. WASHER, FLAT- NO. 6 ATT PT				2	
- 11	806569	. STRIP, MARKER				1	
- 12	10170	. SCREW, MACH-BIND HD 6-32 1/4 LG				1	
- 13	56722	. WASHER, LOCK-EXT TEETH NO. 6				1	
- 14	81693	. SCREW, MACH-BIND HD 6-32 X 3/8 LG				1	
- 15	56722	. WASHER, LOCK-EXT TEETH NO. 6				1	
- 16	257187	. NUT, PLAIN, HEX- 6-32 X 3/8 FL W				1	
- 17	5213402	. RECTIFIER, SILICON				4	
- 18	160017	. NUT, PLAIN, HEX- 1/4-28 X 7/16 FL W ATT PT				4	
- 19	3550	. WASHER, FL- 1/4 X 9/16 OD X 0.50 THK ATT PT				4	
- 20	473592	. INSULATOR				2	
- 21	217017	. WASHER-INSULATING				8	
- 22	5762386	. TERMINAL				4	
- 23	2572766	. HEAT SINK				1	
- 24	5761907	. RIVET ATT PT				4	
- 25	337549	. INSULATOR-HEAT SINK MOUNTING				4	
- 26	2572763	. BRACKET-HEAT SINK				2	
- 27	10170	. SCREW, MACH-BIND HD 6-32 X 1/4 LG ATT PT				2	
- 28	38442	. SCREW, MACH-FL CSK HD 6-32 X 1/4 LG ATT PT				2	
- 29	5738338	. RESISTOR ASM- 12 OHMS 2W				1	
- 30	334932	. . TERMINAL-RING, 18-22 AWG, NO. 10 HOLE, INS				2	
- 31	216792	. . RESISTOR				1	
- 32	236849	. SCREW, MACH-BIND HD 10-32 X 0.250 LG				4	
- 33	5261327	. BUS BAR				2	
- 34	32617	. SCREW, MACH-BIND HD 10-32 X 0.438 LG ATT PT				4	
- 35	5240477	. SHIELD, CAPACITOR				2	
- 36	5261324	. BRACKET				2	
- 37	332620	. SCREW, MACH-BIND HD 10-32 X 1/2 LG ATT PT				1	
- 38	5709381	. CAPACITOR, FIXED, ELECT- 100,000 UF 6V				2	
- 39	372966	. CARD-AMPLIFIER				1	
- 40	372973	. CARD-O/C				1	
- 41	2572773	. HOLDER-CARD, SMS				1	
- 42	2572793	. RIVET ATT PT				2	
- 43	518578	. RUBBER CHANNEL				AR	
- 44	5261789	. CAPACITOR ASM- 0.022 MFD P/M 10%				1	
- 45	334932	. . TERMINAL-RING, 18-22 AWG, NO. 10 HOLE, INS				2	
- 46	492503	. . CAPACITOR, FXD, PAPER- 0.022 MFD P/M 10% 100V				1	
- 47	2572845	. BRACKET - SMS CONNECTOR				1	
- 48	2572793	. RIVET ATT PT				2	
- 49	216076	. TERMINAL BLOCK AND CONTACT ASSEMBLY				2	
- 50	473547	. SPACER- 0.12 THK				1	
- 51	509638	. RESISTOR, FXD- 620 OHM P/M 5% 2W				1	
- 52	335017	. RESISTOR, FXD, COMP- 240 OHMS P/M 5% 1W				1	
- 53	317019	. RESISTOR, FXD, COMP- 2000 OHMS P/M 5% 1/2W				2	
- 54	314047	. TERMINAL BOARD - 2 SOLDER LUGS				3	
- 55	2572793	. RIVET ATT PT				3	
- 56	5261223	. TRANSFORMER, POWER- 2500 CPS 409VA				1	
- 57	32617	. SCREW, MACH-BIND HD 10-32 X 0.438 LG ATT PT				3	
- 58	45690	. WASHER, FLAT- NO. 10 ATT PT				3	
- 59	9092	. WASHER, LOCK-MED SPRING NO. 10 ATT PT				3	
- 60	56079	. WASHER, LOCK-EXT TEETH NO. 10 ATT PT				1	
- 61	11598	. NUT, PLAIN, HEX- 10-32 ATT PT				3	
- 62	58207	. SCREW, MACH-UNDRCT BIND HD 8-32 X 1/4 LG				2	
- 63	55901	. WASHER, LOCK-EXT TEETH NO. 8				2	
- 64	5261229	. CHOKE, FILTER				1	
- 65	316807	. SCREW, MACH-FLAT CSK HD 6-32 X 0.375 LG ATT PT				2	
- 66	6364	. WASHER, LOCK-MED SPRING NO. 6 ATT PT				2	
- 67	56722	. WASHER, LOCK-EXT TEETH NO. 6 ATT PT				1	
- 68	257187	. NUT, PLAIN, HEX- 6-32 X 3/8 FL W ATT PT				2	
- 69	5261228	. REACTOR, SATURABLE				1	
- 70	5528	. SCREW, MACH-BIND HD 8-32 X 0.625 LG ATT PT				2	

FOR PARTS
NOT SHOWN
SEE FIG. 41
SHEET 2

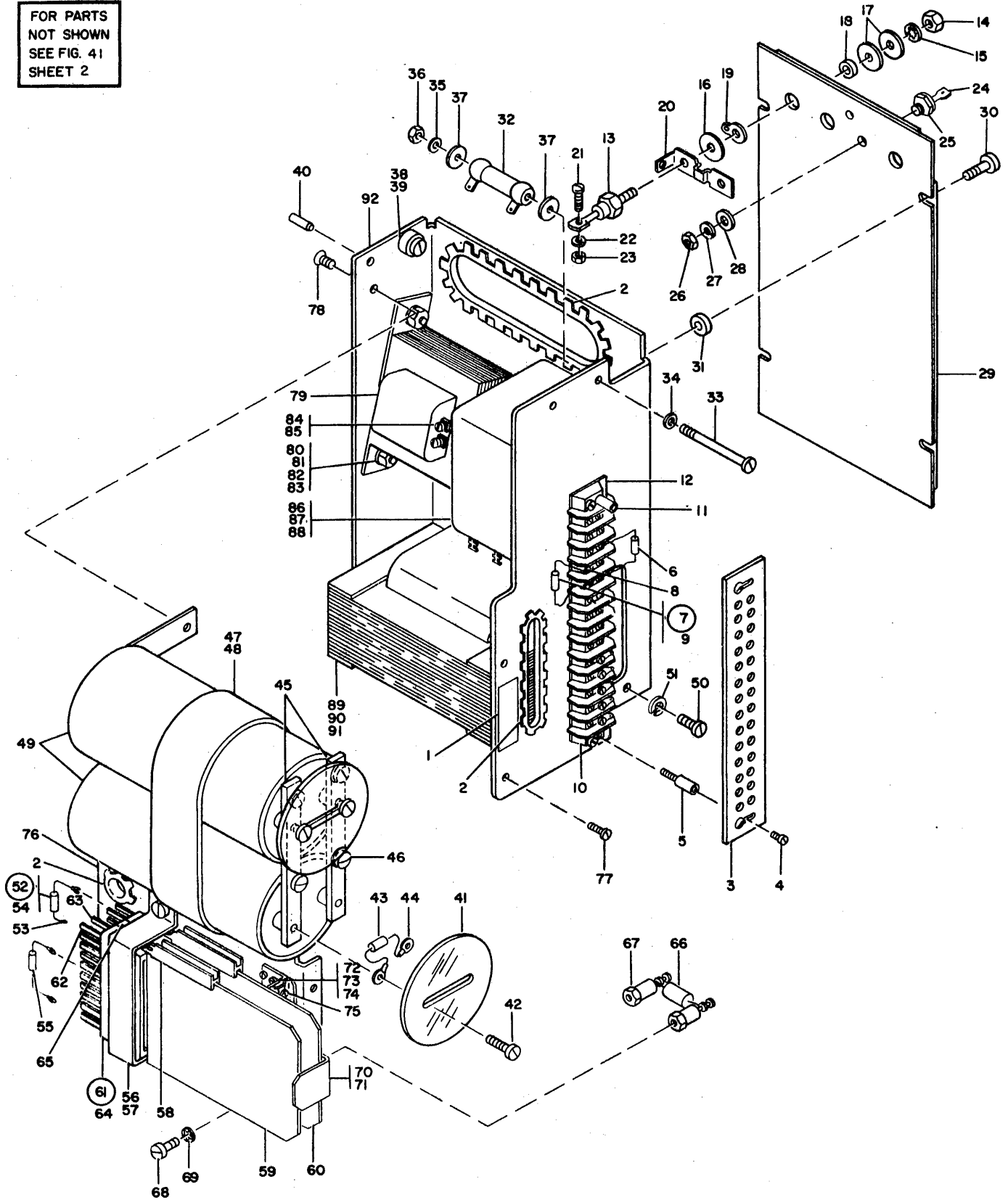
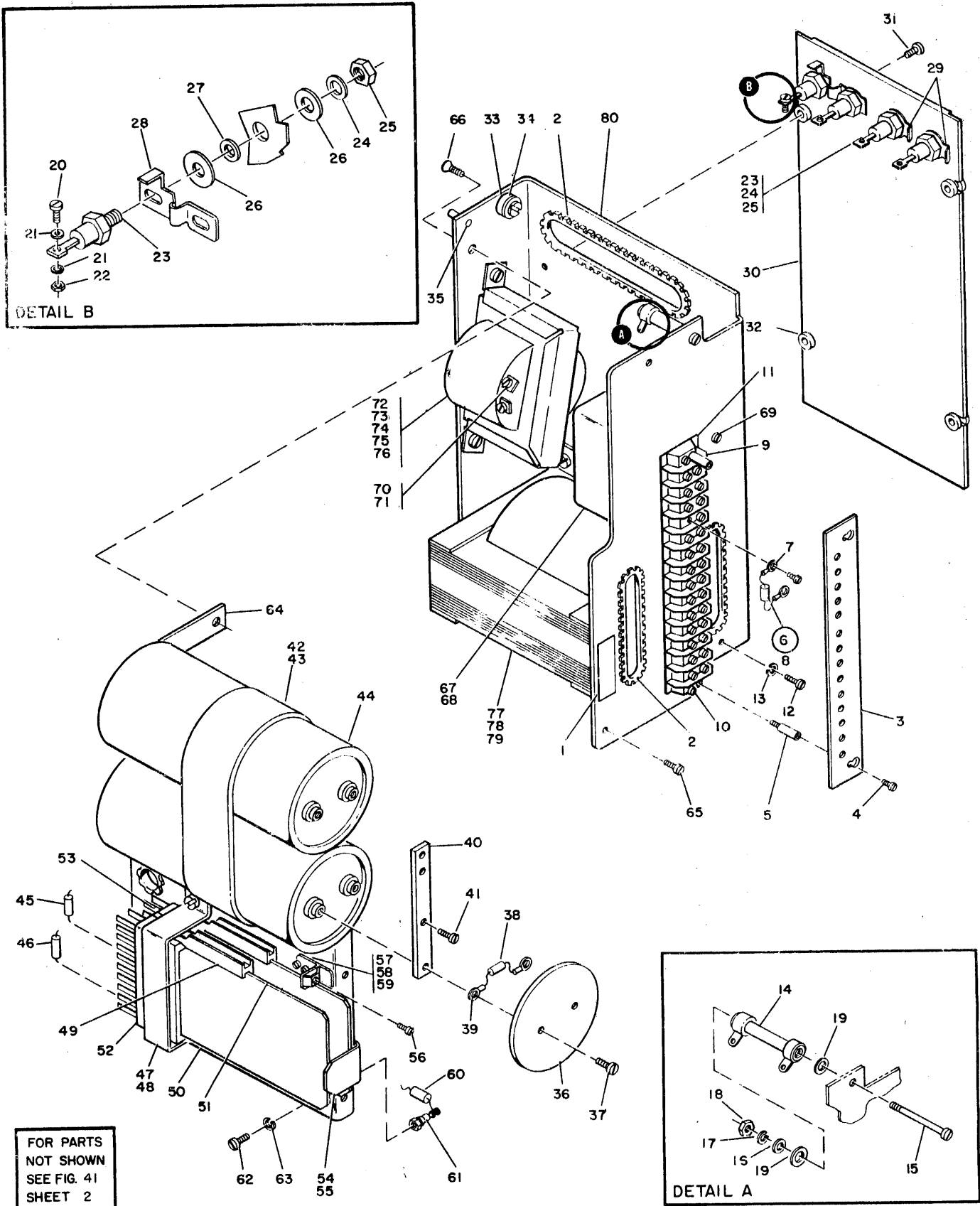


FIGURE 48. 6V AT 40 AMP MAGNETIC AMPLIFIER ASSEMBLY. SEE LIST 48.

LIST AND INDEX NUMBER	PART NUMBER	DESCRIPTION	UNITS PER ASM.	USABLE ON CODE
		6V AT 40 AMP MAGNETIC AMPLIFIER ASSEMBLY		
48 -	5261240	MAGNETIC AMPLIFIER ASSEMBLY- 6V 40A SEE FIG. 41-68 FOR NEXT HIGHER ASSEMBLY AND FIG. 48 FOR ILLUSTRATION	REF	
- 1	5261412	• LABEL	1	
- 2	730432	• GROMMET,CATERPILLAR	3	
- 3	187470	• SHIELD,TERMINAL BOARD	1	
- 4	210984	• SCREW, RD HD MACH-6-32 X .250 LG ATT PT	1	
- 5	5261627	• STUD,EXTENSION	1	
- 6	5261779	• CAPACITOR ASSEMBLY,0.015UF,100VDC	1	
- 7	5708939	• CAPACITOR ASM- 0.100MFD P/M 10% 100VDC	1	
- 8	334921	• TERMINAL-RING,18-22 AWG,#6 HOLE,INS	2	
- 9	217077	• CAPACITOR,FXD-POLY- .1MFD P/M 10% 100VDC	1	
- 10	82353	• TERMINAL BOARD- 14 DBL SCREW TERMINALS	1	
- 11	5261626	• STUD ATT PT	3	
- 12	620240	• INSULATOR	1	
- 13	5213402	• RECTIFIER,SILICON	3	
- 14	160017	• NUT,PLAIN,HEX- 1/4-28 X 7/16 FL W ATT PT	3	
- 15	65756	• WASHER,LOCK-INT TEETH 0.267 ID X 0.4780D ATT PT	3	
- 16	3550	• WASHER,FL- 1/4 X 9/16 OD X 0.050 THK ATT PT	3	
- 17	217017	• WASHER-INSULATING	12	
- 18	473592	• INSULATOR	3	
- 19	322765	• TERMINAL,LUG	1	
- 20	5261606	• JUMPER PLATE	1	
- 21	81693	• SCREW,MACH-BIND HD 6-32 X 3/8 LG	1	
- 22	56722	• WASHER,LOCK-EXT TEETH NO. 6	2	
- 23	38051	• NUT,PLAIN,HEX- 6-32 X 1/4 FL W STL	1	
- 24	322765	• TERMINAL,LUG	1	
- 25	5213402	• RECTIFIER,SILICON	1	
- 26	160017	• NUT,PLAIN,HEX- 1/4-28 X 7/16 FL W ATT PT	1	
- 27	65756	• WASHER,LOCK-INT TEETH 0.267 ID X 0.4780D ATT PT	1	
- 28	3550	• WASHER,FL- 1/4 X 9/16 OD X 0.050 THK ATT PT	1	
- 29	5261323	• HEAT SINK	1	
- 30	34512	• SCREW,BIND.HD 8-32 X .375 LG ATT PT	4	
- 31	337549	• INSULATOR - HEAT SINK MOUNTING ATT PT	4	
- 32	443052	• RESISTOR-WIREWOUND,350 OHMS PM 5 PCT	1	
- 33	438570	• SCREW,MACH-BIND HD 6-32 X 1-1/2 LG ATT PT	1	
- 34	257986	• WASHER,FLAT NO. 6	1	
- 35	62031	• WASHER,LOCK-INT TEETH NO. 6 X 0.295 OD ATT PT	1	
- 36	257187	• NUT,PLAIN,HEX- 6-32 X 3/8 FL W ATT PT	1	
- 37	203801	• INSULATOR WASH- 0.172 ID 9/16 OD 1/16THK	2	
- 38	5261315	• ADAPTER-CAPTIVE SCREW	2	
- 39	5261314	• SCREW,CAPTIVE- 10-32 X 1/2 LG ATT PT	2	
- 40	5261379	• PIN,STRAIGHT DOWEL	2	
- 41	5240477	• SHIELD,CAPACITOR	2	
- 42	236849	• SCREW,MACH-BIND HD 10-32 X 0.250 LG ATT PT	4	
- 43	216797	• RESISTOR,FXD,FILM- 24 OHMS P/M 5% 2W	1	
- 44	334932	• TERMINAL-RING,18-22 AWG,#10 HOLE,INS	2	
- 45	5261327	• BUS BAR	2	
- 46	32042	• SCREW, MACH BIND. HD 10-32 X 3/8 LG. ATT PT	4	
- 47	5261326	• BRACKET-CAPACITOR	1	
- 48	55918	• SCREW,MACH-BIND HD 10-32 X 5/8 LG ATT PT	1	
- 49	5261247	• CAPACITOR,ELEC-60,000 UF P/M 10% 8VDC	2	
- 50	55726	• SCREW,MACH-BIND HD 6-32 X .188 LG	1	
- 51	56722	• WASHER,LOCK-EXT TEETH NO. 6	1	
- 52	5709058	• RESISTOR ASSEMBLY	1	
- 53	596255	• TERMINAL,SLIP-ON	2	
- 54	334923	• RESISTOR,FXD,COMP- 3.6K P/M 5% 1/2W	1	
- 55	5261789	• CAPACITOR ASSEMBLY,0.022UF,PORM 10 PCT	2	
- 56	473530	• BRACKET	1	
- 57	55726	• SCREW,MACH-BIND HD 6-32 X .188 LG ATT PT	2	
- 58	216207	• GUIDE-SINGLE CARD SHORT	2	
- 59	372975	• CARD	1	
- 60	372973	• CARD	1	
- 61	216076	• TERMINAL BLOCK AND CONTACT ASSEMBLY	2	
- 62	216088	• SPRING-CONTACT	8	
- 63	216087	• SPRING-CONTACT	8	
- 64	216073	• TERMINAL BLOCK AND CONTACT ASSEMBLY	1	
- 65	473547	• SPACER,1 X 2 3/8 IN .12 IN THICK	1	
- 66	335017	• RESISTOR,FIXED COMP 240 OHMS PM 5% 1W	1	
- 67	533534	• TERMINAL	2	
- 68	10170	• SCREW,MACH-BIND HD 6-32 X 1/4 LG ATT PT	2	
- 69	62031	• WASHER,LOCK-INT TEETH NO. 6 X 0.295 OD ATT PT	2	
- 70	5261316	• BRACKET, CARD RETAINING	1	
- 71	479714	• SCREW,SHLDR-FLAT HD 4-40 X 19/64 LG ATT PT	1	

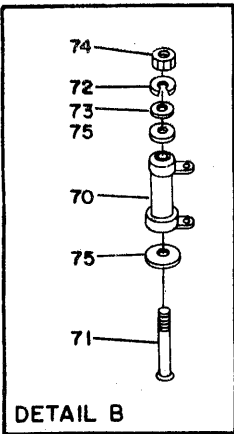


FOR PARTS
NOT SHOWN
SEE FIG. 41
SHEET 2

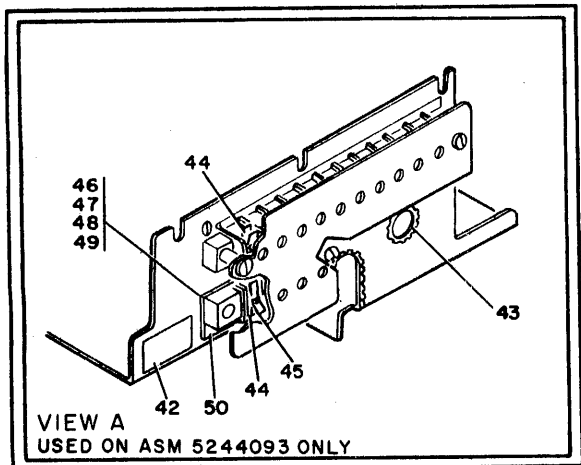
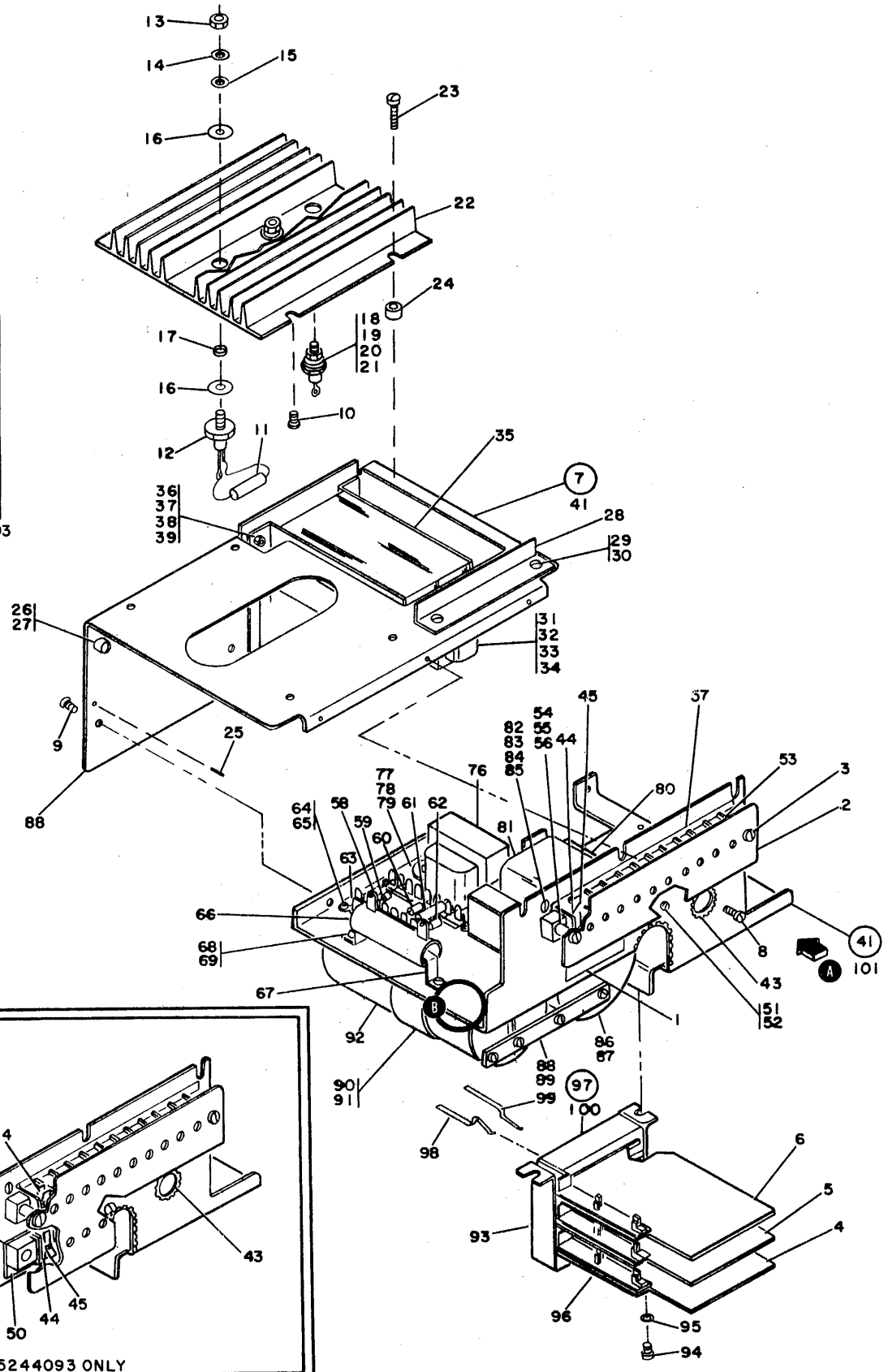
FIGURE 49. 6V AT 40 AMP MAGNETIC AMPLIFIER ASSEMBLY. SEE LIST 49.

LIST AND INDEX NUMBER	PART NUMBER	DESCRIPTION	UNITS PER ASM.	USABLE ON CODE
		6V AT 40 AMP MAGNETIC AMPLIFIER ASSEMBLY		
49 -	5709300	MAGNETIC AMPLIFIER ASSEMBLY- 6V AT 40 AMP SEE FIG. 41-69 FOR NEXT HIGHER ASSEMBLY AND FIG. 49 FOR ILLUSTRATION	REF	
- 1	5261412	• LABEL	1	
- 2	730432	• GROMMET,CATERPILLAR	3	
- 3	533360	• SHIELD,TERMINAL BOARD	1	
- 4	10170	• SCREW,MACH-BIND HD 6-32 X 1/4 LG ATT PT	2	
- 5	5762407	• STUD,EXTENSION	2	
- 6	5708939	• CAPACITOR ASM- 0.100MFD P/M 10% 100VDC	1	
- 7	334921	• . TERMINAL-RING,18-22 AWG,#6 HOLE,INS	2	
- 8	217077	• . CAPACITOR,FXD-POLY- .1MFD P/M 10% 100VDC	1	
- 9	82353	• TERMINAL BOARD- 14 DBL SCREW TERMINALS	1	
- 10	35739	• SCREW,MACH-BIND HD 6-32 X 15/16 LG ATT PT	2	
- 11	351228	• STRIP,MARKER	1	
- 12	55726	• SCREW,MACH-BIND HD 6-32 X .188 LG	1	
- 13	56722	• WASHER,LOCK-EXT TEETH NO. 6	1	
- 14	443052	• RESISTOR-WIREWOUND,350 OHMS PM 5 PCT	1	
- 15	438570	• SCREW,MACH-BIND HD 6-32 X 1-1/2 LG ATT PT	1	
- 16	257986	• WASHER,FLAT NO. 6 ATT PT	1	
- 17	62031	• WASHER,LOCK-INT TEETH NO. 6 X 0.295 OD ATT PT	1	
- 18	257187	• NUT,PLAIN,HEX- 6-32 X 3/8 FL W ATT PT	1	
- 19	203801	• INSULATOR WASH- 0.172 ID 9/16 OD 1/16THK	2	
- 20	81693	• SCREW,MACH-BIND HD 6-32 X 3/8 LG	1	
- 21	56722	• WASHER,LOCK-EXT TEETH NO. 6	2	
- 22	38051	• NUT,PLAIN,HEX- 6-32 X 1/4 FL W STL	1	
- 23	5213402	• RECTIFIER,SILICON	4	
- 24	3550	• WASHER,FL- 1/4 X 9/16 OD X 0.050 THK ATT PT	4	
- 25	160017	• NUT,PLAIN,HEX- 1/4-28 X 7/16 FL W ATT PT	4	
- 26	217017	• WASHER-INSULATING	6	
- 27	473592	• INSULATOR	3	
- 28	5261606	• JUMPER PLATE	1	
- 29	5762386	• TERMINAL,LUG	2	
- 30	5261323	• HEAT SINK	1	
- 31	34512	• SCREW,BIND.HD 8-32 X .375 LG ATT PT	4	
- 32	337549	• INSULATOR - HEAT SINK MOUNTING	4	
- 33	5261315	• ADAPTER-CAPTIVE SCREW	2	
- 34	5261314	• SCREW,CAPTIVE- 10-32 X 1/2 LG ATT PT	2	
- 35	5261379	• PIN,STRAIGHT DOWEL	2	
- 36	5240477	• SHIELD,CAPACITOR	2	
- 37	32042	• SCREW, MACH BIND. HD 10-32 X 3/8 LG. ATT PT	4	
- 38	216797	• RESISTOR,FXD,FILM- 24 OHMS P/M 5% 2W	1	
- 39	334932	• TERMINAL-RING,18-22 AWG,#10 HOLE,INS	2	
- 40	5261327	• BUS BAR	2	
- 41	236849	• SCREW,MACH-BIND HD 10-32 X 0.250 LG ATT PT	4	
- 42	5261326	• BRACKET-CAPACITOR	1	
- 43	55918	• SCREW,MACH-BIND HD 10-32 X 5/8 LG ATT PT	1	
- 44	5261247	• CAPACITOR,ELEC-60,000 UF P/M 10% 8VDC	2	
- 45	5261789	• CAPACITOR ASSEMBLY,0.022UF,PORM 10 PCT	2	
- 46	5709058	• RESISTOR ASSEMBLY	1	
- 47	473530	• BRACKET	1	
- 48	55726	• SCREW,MACH-BIND HD 6-32 X .188 LG ATT PT	2	
- 49	216207	• GUIDE-SINGLE CARD SHORT	2	
- 50	372965	• CARD ASSEMBLY,TESTER	1	
- 51	372973	• CARD	1	
- 52	216076	• TERMINAL BLOCK AND CONTACT ASSEMBLY	2	
- 53	473547	• SPACER,1 X 2 3/8 IN .12 IN THICK	1	
- 54	5261316	• BRACKET, CARD RETAINING	1	
- 55	479714	• SCREW,SHLDR-FLAT HD 4-40 X 19/64 LG ATT PT	1	
- 56	5261354	• SCREW,MACH,CAPTIVE- 6-32 X 3/8 LG ATT PT	1	
- 57	5261317	• BRACKET	1	
- 58	10170	• SCREW,MACH-BIND HD 6-32 X 1/4 LG ATT PT	2	
- 59	56722	• WASHER,LOCK-EXT TEETH NO. 6 ATT PT	2	
- 60	335017	• RESISTOR,FIXED COMP 240 OHMS PM 5% 1W	1	
- 61	533534	• TERMINAL	2	
- 62	10170	• SCREW,MACH-BIND HD 6-32 X 1/4 LG ATT PT	2	
- 63	62031	• WASHER,LOCK-INT TEETH NO. 6 X 0.295 OD ATT PT	2	
- 64	5261328	• PLATE-POWER SUPPLY	1	
- 65	186759	• SCREW,MACH-BIND HD 8-32 X 5/16 LG ATT PT	2	
- 66	38452	• SCREW,MACH-FL CSK HD 8-32 X 5/16 LG ATT PT	1	
- 67	5261248	• REACTOR,SATURABLE	1	
- 68	38451	• SCREW,MACH-FL CSK HD 8-32 X 1/4 LG ATT PT	1	
- 69	58207	• SCREW,MACH-UNDRCT BIND HD 8-32 X 1/4 LG ATT PT	1	
- 70	58207	• SCREW,MACH-UNDRCT BIND HD 8-32 X 1/4 LG	2	
- 71	55901	• WASHER,LOCK-EXT TEETH NO. 8 X 0.381 OD	2	

FOR PARTS
NOT SHOWN
SEE FIG. 41
SHEET 2



DETAIL B
USED ON ASM 5244093
AND 5253809



VIEW A
USED ON ASM 5244093 ONLY

FIGURE 50. 18 VDC AT 11 AMP AND 30 VDC AT 5 AMP POWER SUPPLIES. SEE LIST 50.

LIST AND INDEX NUMBER	PART NUMBER	DESCRIPTION				UNITS PER ASM.	USABLE ON CODE
		1	2	3	4		
		18 VDC AT 11 AMP AND 30 VDC AT 5 AMP POWER SUPPLIES					
		CODE A USED ON ASM 5244090 CODE B USED ON ASM 5253790 CODE C USED ON ASM 5253800					
50 -	5244090	POWER SUPPLY ASM-18 VDC AT 11 AMP SEE FIG. 41-70 FOR NEXT HIGHER ASSEMBLY AND FIG. 50 FOR ILLUSTRATION				REF	A
-	5253790	POWER SUPPLY ASM-30 VDC AT 5 AMP SEE FIG. 41-71 FOR NEXT HIGHER ASSEMBLY AND FIG. 50 FOR ILLUSTRATION				REF	B
-	5253800	POWER SUPPLY ASM-18 VDC AT 11 AMP SEE FIG. 41-72 FOR NEXT HIGHER ASSEMBLY AND FIG. 50 FOR ILLUSTRATION				REF	C
- 1	5261412	. LABEL				1	B
- 1	5261412	. LABEL				1	C
- 2	5253820	. COVER-TERM BOARD				1	A
- 2	5253794	. COVER-TERMINAL BOARD				1	B
- 2	5253794	. COVER-TERMINAL BOARD				1	C
- 3	10170	. SCREW,MACH-BIND HD 6-32 X 1/4 LG				2	
- 4	372973	. CARD				1	
- 5	374826	. CARD ASSEMBLY				1	A
- 5	374794	. CARD ASM				1	B
- 5	374794	. CARD ASM				1	C
- 6	374981	. CARD ASSEMBLY				1	A
- 6	374981	. CARD ASSEMBLY				1	C
- 7	5244096	. PLATE ASM-BOT POWER SUPPLY 18V AT 11 AMP				1	A
- 7	5253798	. PLATE ASM-BOT POWER SUPPLY 30V AT 5 AMP				1	B
- 7	5253808	. PLATE ASM-BOT POWER SUPPLY 18V AT 11 AMP				1	C
- 8	81693	. SCREW,MACH-BIND HD 6-32 X 3/8 LG				3	
- 9	38443	. SCREW,MACH-FL CSK HD 6-32 X 5/16 LG				3	
- 10	183900	. . SCREW,THD CTG-BIND HD 8-32 X 1/4 LG				2	
- 11	529203	. . CAPACITOR,FIXED,TANTALUM-47 UF 35V				2	
- 12	5214104	. . SEMICONDUCTOR- 11.5A 400V USED ON ASM 5244096 AND 5253808 ONLY				2	
- 12	5219971	. . SEMICONDUCTOR DEVICE,DIODE USED ON ASM 5253798 ONLY				2	
- 13	160017	. . NUT,PLAIN,HEX- 1/4-28 X 7/16 FL W				2	
- 13	11598	. . NUT,PLAIN-HEX 10-32 X 3/8 FL W				2	
- 14	76574	. . LOCKWASHER-EXT TOOTH ID .267 X OD .510				2	
- 14	56079	. . WASHER,LOCK-EXT T .195 ID .410 OD				2	
- 15	3550	. . WASHER,FL- 1/4 X 9/16 OD X 0.050 THK				2	
- 15	45690	. . WASHER, FL - NO.10 X 7/16 OD X 1/32 THK				2	
- 16	217017	. . WASHER-INSULATING USED ON ASM 5244096 ONLY				8	
- 16	217019	. . WASHER, INSULATING USED ON ASM 5253798 ONLY				4	
- 16	529691	. . WASHER-MICA USED ON ASM 5253808 ONLY				4	
- 17	5351173	. . BUSHING-INSULATOR USED ON ASM 5244096 AND 5253808 ONLY				2	
- 17	533371	. . BUSHING USED ON ASM 5253798 ONLY				2	
- 18	5213400	. . RECTIFIER,SILICON USED ON ASM 5244096 AND 5253808 ONLY				1	
- 18	216197	. . RECTIFIER,SILICON-ALLOY USED ON ASM 5253798 ONLY				1	
- 19	11598	. . NUT,PLAIN-HEX 10-32 X 3/8 FL W				1	
- 20	56121	. . WASHER,LOCK-INT TEETH NO. 10 X 0.381 OD				1	
- 21	45690	. . WASHER, FL - NO.10 X 7/16 OD X 1/32 THK				1	
- 22	5253821	. . HEAT SINK-DIODE USED ON ASM 5253798 ONLY				1	
- 22	5253807	. . HEAT SINK-DIODE USED ON ASM 5244096 AND 5253808 ONLY				1	
- 23	337	. . SCREW,MACH-FIL H 8-32 X 3/8 LG				4	
- 24	337549	. . INSULATOR - HEAT SINK MOUNTING				4	
- 25	5261379	. . PIN,STRAIGHT DOWEL				2	
- 26	5261315	. . ADAPTER-CAPTIVE SCREW				2	

LIST AND INDEX NUMBER	PART NUMBER	DESCRIPTION	UNITS PER ASM.	USABLE ON CODE
				1 2 3 4
50 - 27	5261314	• • SCREW,CAPTIVE- 10-32 X 1/2 LG	ATT PT	2
- 28	5253827	• • BRACKET-AIR TRANSFER		1
- 29	10170	• • SCREW,MACH-BIND HD 6-32 X 1/4 LG	ATT PT	2
- 30	56722	• • WASHER,LOCK-EXT TEETH NO. 6	ATT PT	2
- 31	5253835	• • TRANSFORMER		1
- 32	10170	• • SCREW,MACH-BIND HD 6-32 X 1/4 LG	ATT PT	2
- 33	56722	• • WASHER,LOCK-EXT TEETH NO. 6	ATT PT	2
- 34	257986	• • WASHER,FLAT NO. 6	ATT PT	2
- 35	5253803	• • TRANSFORMER-POWER STEP-DOWN USED ON ASM 5244096 AND 5253808 ONLY		1
- 35	5253793	• • TRANSFORMER,POWER USED ON ASM 5253798 ONLY		1
- 36	25891	• • SCREW,MACH-FL CSK HD 10-32 X 0.500 LG	ATT PT	4
- 37	56079	• • WASHER,LOCK-EXT T .195 ID .410 OD	ATT PT	4
- 38	45690	• • WASHER, FL - NO.10 X 7/16 OD X 1/32 THK	ATT PT	4
- 39	11598	• • NUT,PLAIN-HEX 10-32 X 3/8 FL W	ATT PT	4
- 39	367	• • SCREW,MACH-FL CSK HD 10-32 X 5/8 LG	ATT PT	4
- 40	5253796	• • PLATE-POWER SUPPLY MTG		1
- 41	5244093	• PLATE ASM-TOP POWER SUPPLY 18V AT 11 AMP		1
- 41	5253799	• PLATE ASM-TOP POWER SUPPLY 30V AT 5 AMP		1
- 41	5253809	• PLATE ASM-TOP POWER SUPPLY 18V AT 11 AMP		1
- 42	5261412	• • LABEL USED ON ASM 5244093 ONLY		1
- 43	730432	• • GROMMET,CATERPILLAR		2
- 44	5276270	• • TAB,TERMINAL USED ON ASM 5244093 ONLY		15
- 44	5276270	• • TAB,TERMINAL USED ON ASM 5253799 AND 5253809 ONLY		11
- 45	5276271	• • TAB,TERMINAL USED ON ASM 5244093 ONLY		15
- 45	5276271	• • TAB,TERMINAL USED ON ASM 5253799 AND 5253809 ONLY		15
- 46	5253824	• • TERMINAL BOARD-4 POS USED ON ASM 5244093 ONLY		1
- 47	322550	• • SCREW	ATT PT	1
- 48	210884	• • STUD-SHIELD MTG,NO. 6-32	ATT PT	1
- 49	56722	• • WASHER,LOCK-EXT TEETH NO. 6	ATT PT	2
- 50	5253823	• • MARKER STRIP-4 POS USED ON ASM 5244093 ONLY		1
- 51	10170	• • SCREW,MACH-BIND HD 6-32 X 1/4 LG		1
- 52	56722	• • WASHER,LOCK-EXT TEETH NO. 6		1
- 53	5253845	• • TERMINAL BOARD-12 POS		1
- 54	210883	• • STUD-SHIELD MTG,TAPPED,NO. 6-32	ATT PT	2
- 55	56722	• • WASHER,LOCK-EXT TEETH NO. 6	ATT PT	2
- 55	62031	• • WASHER,LOCK-INT TEETH NO. 6 X 0.295 OD USED ON ASM 5253799 ONLY	ATT PT	2
- 56	257986	• • WASHER,FLAT NO. 6	ATT PT	2
- 57	5253825	• • MARKER STRIP-12 POS		1
- 58	512400	• • RESISTOR,FXD,COMP- 200 OHMS P/M 5% 1W		1
- 59	213693	• • RESISTOR,FXD,COMP- 1K P/M 5% 1/2W		1
- 60	322347	• • RESISTOR,FXD,COMP- 560 OHMS P/M 5% 1/2W USED ON ASM 5244093 AND 5253809 ONLY		1
- 60	133743	• • CAPACITOR,FXD,ELEC- .27MF P/M 10% 35VDC USED ON ASM 5253799 ONLY		1
- 61	529203	• • CAPACITOR,FIXED,TANTALUM-47 UF 35V USED ON ASM 5244093 AND 5253809 ONLY		1
- 62	317276	• • RESISTOR,FXD,COMP- 1.2K P/M 5% 1/2W USED ON ASM 5244093 AND 5253809 ONLY		1
- 62	334923	• • RESISTOR,FXD,COMP- 3.6K P/M 5% 1/2W USED ON ASM 5253799 ONLY		1
- 63	317200	• • TERMINAL BOARD- 8 LUG TERMINALS		2
- 64	438566	• • SCREW,MACH-BIND HD 6-32 X .125 LG USED ON ASM 5244093 AND 5253809 ONLY	ATT PT	4
- 64	55726	• • SCREW,MACH-BIND HD 6-32 X .188 LG USED ON ASM 5253799 ONLY	ATT PT	4
- 65	56722	• • WASHER,LOCK-EXT TEETH NO. 6 USED ON ASM 5253799 ONLY	ATT PT	4
- 66	353632	• • RESISTOR-WIREWOUND 25 OHMS 25 WATTS USED ON ASM 5244093 AND 5253809 ONLY		1
- 66	507142	• • RESISTOR- 100 OHMS 25W USED ON ASM 5253799 ONLY		1
- 67	510316	• • BRACKET-MTG,25W RESISTOR		2
- 68	55726	• • SCREW,MACH-BIND HD 6-32 X .188 LG	ATT PT	2
- 69	56722	• • WASHER,LOCK-EXT TEETH NO. 6	ATT PT	2

LIST AND INDEX NUMBER	PART NUMBER	DESCRIPTION	UNITS	USABLE
			PER ASM.	ON CODE
50 - 70	239611	. . RESISTOR, MW, ADJUSTABLE- 5K 10W USED ON ASM 5244093 AND 5253809 ONLY	1	
- 71	438592	. . SCREW, MACH-BIND HD 8-32 X 2-1/4 LG ATT PT	1	
- 72	60646	. . WASHER, LOCK-INT T NO. 8 ATT PT	1	
- 73	22478	. . WASHER, FL- 0.170 ID 0.375 OD 0.32 THK ATT PT	1	
- 74	257189	. . NUT, HEX- 8-32 ATT PT	1	
- 75	419130	. . WASHER, MICA, .195 I.D., 5/8 O.D. X .002 THCK	2	
- 76	5266044	. . TRANSFORMER, CONTROL	1	
- 77	10170	. . SCREW, MACH-BIND HD 6-32 X 1/4 LG ATT PT	2	
- 78	56722	. . WASHER, LOCK-EXT TEETH NO. 6 ATT PT	2	
- 79	257986	. . WASHER, FLAT NO. 6 ATT PT	2	
- 80	237455	. . RUBBER CHANNEL	2	
- 81	5253839	. . CHOKE, FILTER-5KC 1MH AT 12.2 AMP USED ON ASM 5244093 AND 5253809 ONLY	1	
- 81	5253840	. . CHOKE USED ON ASM 5253799 ONLY	1	
- 82	119	. . SCREW, MACH-FL CSK HD 8-32 X 1/2 LG ATT PT	4	
- 83	55901	. . WASHER, LOCK-EXT TEETH NO. 8 X 0.381 OD ATT PT	4	
- 84	22478	. . WASHER, FL- 0.170 ID 0.375 OD 0.32 THK ATT PT	4	
- 85	257189	. . NUT, HEX- 8-32 ATT PT	4	
- 86	5240477	. . SHIELD, CAPACITOR	2	
- 87	32617	. . SCREW, MACH-BIND HD 10-32 X 0.438 LG ATT PT USED ON ASM 5244093 AND 5253809 ONLY	4	
- 87	332620	. . SCREW, MACH-BIND HD 10-32 X 1/2 LG ATT PT USED ON ASM 5253799 ONLY	4	
- 88	5253804	. . BUS BAR-CAPACITOR	2	
- 88	5261327	. . BUS BAR USED ON ASM 5244093 AND 5253809 ONLY	2	
- 89	236849	. . SCREW, MACH-BIND HD 10-32 X 0.250 LG ATT PT	4	
- 90	5253822	. . BRACKET-CAPACITOR MTG	1	
- 91	438602	. . SCREW, MACH-BIND HD 10-32 X 1-1/2 LG ATT PT	1	
- 92	1143248	. . CAPACITOR, FIXED, ELECT-1500 UF 25V USED ON ASM 5244093 AND 5253809 ONLY	2	
- 92	5253786	. . CAPACITOR, FIXED, ELECT-6000 UF 100V USED ON ASM 5253799 ONLY	2	
- 93	5253806	. . BRACKET-CONNECTOR MTG	1	
- 94	10170	. . SCREW, MACH-BIND HD 6-32 X 1/4 LG ATT PT	2	
- 95	56722	. . WASHER, LOCK-EXT TEETH NO. 6 ATT PT	2	
- 96	216206	. . GUIDE-SINGLE CARD LONG	3	
- 97	216076	. . TERMINAL BLOCK AND CONTACT ASSEMBLY	3	
- 98	216088	. . . SPRING-CONTACT	8	
- 99	216087	. . . SPRING-CONTACT	8	
-100	216073	. . . TERMINAL BLOCK AND CONTACT ASSEMBLY	1	
-101	5253797	. . PLATE-POWER SUPPLY MTG	1	

FOR PARTS
NOT SHOWN
SEE FIG. 41
SHEET 2

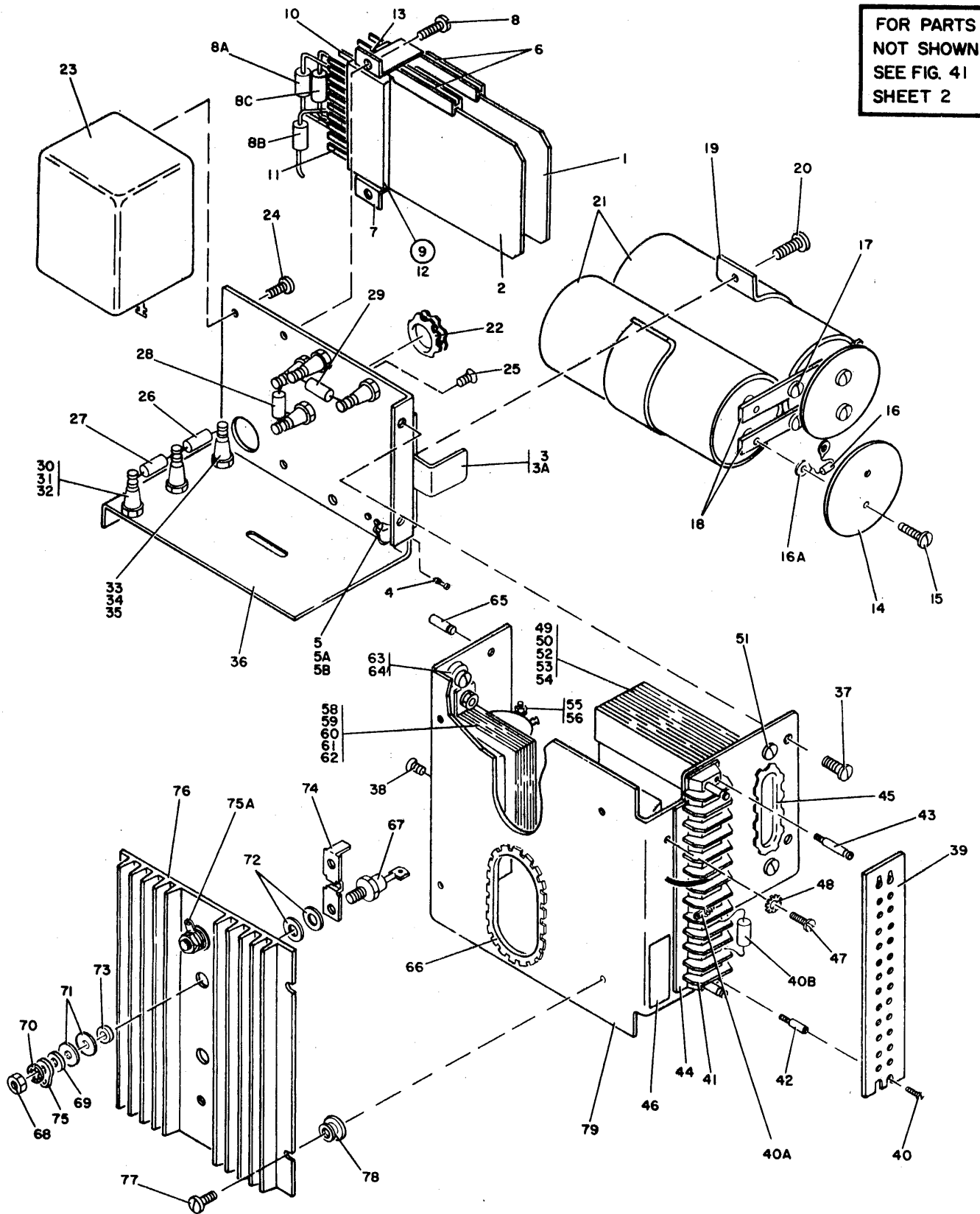


FIGURE 51. 3V AT 20 AMP MAGNETIC AMPLIFIER ASSEMBLY. SEE LIST 51.

LIST AND INDEX NUMBER	PART NUMBER	DESCRIPTION	UNITS PER ASM.	USABLE ON CODE
		3V AT 20 AMP MAGNETIC AMPLIFIER ASSEMBLY		
51 -	5712010	MAGNETIC AMPLIFIER ASSEMBLY- 3V AT 20A SEE FIG. 41-73 FOR NEXT HIGHER ASSEMBLY AND FIG. 51 FOR ILLUSTRATION	REF	
- 1	372966	• CARD	1	
- 2	374772	• CARD ASM	1	
- 3	5261316	• BRACKET, CARD RETAINING	1	
- 3A	479714	• SCREW,SHLDR-FLAT HD 4-40 X 19/64 LG	1	ATT PT
- 4	5261354	• SCREW,MACH,CAPTIVE- 6-32 X 3/8 LG	1	
- 5	5261317	• BRACKET	1	
- 5A	10170	• SCREW,MACH-BIND HD 6-32 X 1/4 LG	2	ATT PT
- 5B	56722	• WASHER,LOCK-EXT TEETH NO. 6	2	ATT PT
- 6	216207	• GUIDE-SINGLE CARD SHORT	2	
- 7	473530	• BRACKET	1	
- 8	55726	• SCREW,MACH-BIND HD 6-32 X .188 LG	2	ATT PT
- 8A	5261789	• CAPACITOR ASSEMBLY,0.022UF,PORM 10 PCT	2	
- 9	216076	• TERMINAL BLOCK AND CONTACT ASSEMBLY	2	
- 10	216087	• • SPRING-CONTACT	8	
- 11	216088	• • SPRING-CONTACT	8	
- 12	216073	• • TERMINAL BLOCK AND CONTACT ASSEMBLY	1	
- 13	473547	• SPACER,1 X 2 3/8 IN .12 IN THICK	1	
- 14	362206	• COVER, CAPACITOR	2	
- 15	236849	• SCREW,MACH-BIND HD 10-32 X 0.250 LG	4	ATT PT
- 16	132768	• RESISTOR,FXD,COMP-18 OHMS P/M 5% 1W	1	
- 16A	334932	• TERMINAL-RING,18-22 AWG,#10 HOLE,INS	2	
- 17	32042	• SCREW, MACH BIND. HD 10-32 X 3/8 LG.	4	
- 18	5261313	• BUS BAR	2	
- 19	5261239	• CLAMP	1	
- 20	55918	• SCREW,MACH-BIND HD 10-32 X 5/8 LG	1	ATT PT
- 21	5709380	• CAPACITOR,ELEC,CAN- 66 UUF M10P50% 6VDC	2	
- 22	730432	• GROMMET,CATERPILLAR	1	
- 23	5261428	• REACTOR,SATURABLE	1	
- 24	186759	• SCREW,MACH-BIND HD 8-32 X 5/16 LG	1	ATT PT
- 25	38451	• SCREW,MACH-FL CSK HD 8-32 X 1/4 LG	1	ATT PT
- 26	335328	• RESISTOR,FXD,COMP- 680 OHMS P/M 5% 2W	1	
- 27	335017	• RESISTOR,FIXED COMP 240 OHMS PM 5% 1W	1	
- 28	481443	• RESISTOR,FXD,FILM- 34.8 OHMS P/M 1% 500W	1	
- 29	492448	• RESISTOR,FXD,FILM- 130 OHMS P/M 5% 2W	1	
- 30	533534	• TERMINAL	6	
- 31	10170	• SCREW,MACH-BIND HD 6-32 X 1/4 LG	6	ATT PT
- 32	62031	• WASHER,LOCK-INT TEETH NO. 6 X 0.295 OD	6	ATT PT
- 33	533534	• TERMINAL	1	
- 34	38442	• SCREW,MACH-FL CSK HD 6-32 X 1/4 LG	1	ATT PT
- 35	62031	• WASHER,LOCK-INT TEETH NO. 6 X 0.295 OD	1	ATT PT
- 36	5261318	• PLATE	1	
- 37	186759	• SCREW,MACH-BIND HD 8-32 X 5/16 LG	2	ATT PT
- 38	38452	• SCREW,MACH-FL CSK HD 8-32 X 5/16 LG	1	ATT PT
- 39	191481	• SHIELD, TERMINAL BLOCK	1	
- 40	210984	• SCREW, RD HD MACH-6-32 X .250 LG	1	ATT PT
- 40A	334921	• TERMINAL-RING,18-22 AWG,#6 HOLE,INS	4	
- 40B	5708939	• CAPACITOR ASM- 0.100MFD P/M 10% 100VDC	1	
- 41	323839	• TERMINAL BOARD- 12 OBL SCREW TERMINALS	1	
- 42	210883	• STUD-SHIELD MTG,TAPPED,NO. 6-32	1	ATT PT
- 43	210884	• STUD-SHIELD MTG,NO. 6-32	1	ATT PT
- 44	806569	• STRIP,MARKER	1	
- 45	730432	• GROMMET,CATERPILLAR	1	
- 46	5261412	• LABEL	1	
- 47	55726	• SCREW,MACH-BIND HD 6-32 X .188 LG	1	
- 48	56722	• WASHER,LOCK-EXT TEETH NO. 6	1	
- 49	5261433	• TRANSFORMER,POWER	1	
- 50	119	• SCREW,MACH-FL CSK HD 8-32 X 1/2 LG	2	ATT PT
- 51	25627	• SCREW-BD. HD 8-32 X .500 LG	4	ATT PT
- 52	22478	• WASHER,FL- 0.170 ID 0.375 OD 0.32 THK	4	ATT PT
- 53	22478	• WASHER,FL- 0.170 ID 0.375 OD 0.32 THK	4	ATT PT
- 54	257189	• NUT,HEX- 8-32	4	ATT PT
- 55	10170	• SCREW,MACH-BIND HD 6-32 X 1/4 LG	2	
- 56	56722	• WASHER,LOCK-EXT TEETH NO. 6	2	
- 58	5261219	• CHOKE,FILTER	1	
- 59	4636	• SCREW,MACH-FL CSK HD 8-32 X 3/8 LG	2	ATT PT
- 60	22478	• WASHER,FL- 0.170 ID 0.375 OD 0.32 THK	2	ATT PT
- 61	55901	• WASHER,LOCK-EXT TEETH NO. 8 X 0.381 OD	2	ATT PT
- 62	257189	• NUT,HEX- 8-32	2	ATT PT
- 63	5261315	• ADAPTER-CAPTIVE SCREW	2	
- 64	5261314	• SCREW,CAPTIVE- 10-32 X 1/2 LG	2	ATT PT
- 65	5261379	• PIN,STRAIGHT DOWEL	2	

FOR PARTS
NOT SHOWN
SEE FIG. 41
SHEET 2

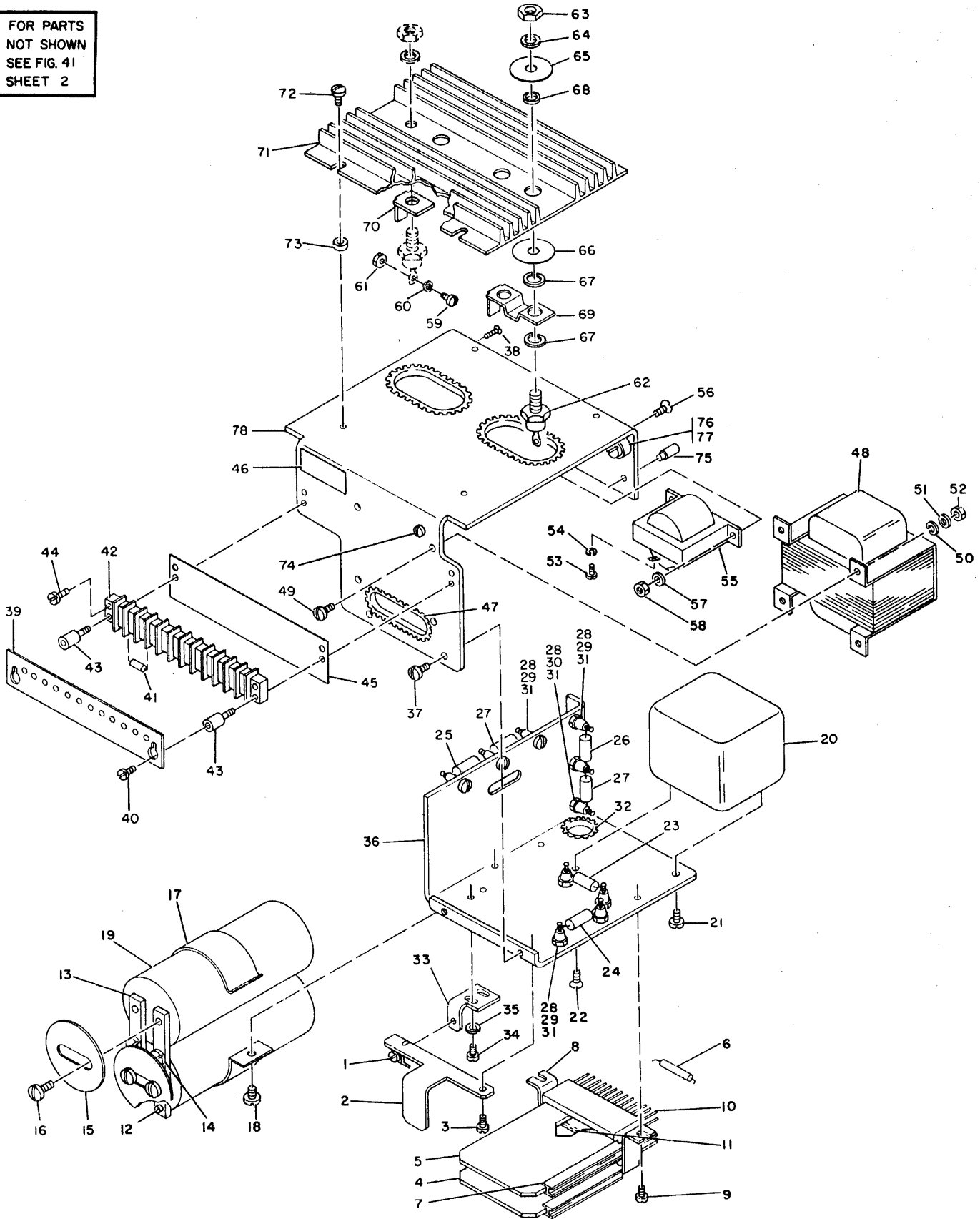


FIGURE 51A. 6 VOLT AT 25 AMP MAGNETIC AMPLIFIER ASSEMBLY. SEE LIST 51A.

LIST AND INDEX NUMBER	PART NUMBER	DESCRIPTION	UNITS PER ASM.	USABLE ON CODE
		6 VOLT AT 25 AMP MAGNETIC AMPLIFIER ASSEMBLY		
51A-	5712030	MAGNETIC AMPLIFIER ASSEMBLY, 6V AT 25 AMP SEE FIG. 41-74 FOR NEXT HIGHER ASSEMBLY AND FIG. 51A FOR ILLUSTRATION	REF	
- 1	5261354	• SCREW, MACH, CAPTIVE- 6-32 X 3/8 LG	1	
- 2	5261316	• BRACKET, CARD RETAINING	1	
- 3	479714	• SCREW, SHLDR-FLAT HD 4-40 X 19/64 LG ATT PT	1	
- 4	372966	• CARD	1	
- 5	374772	• CARD ASM	1	
- 6	5261789	• CAPACITOR ASSEMBLY, 0.022UF, PORM 10 PCT	1	
- 7	216207	• GUIDE-SINGLE CARD SHORT	2	
- 8	473530	• BRACKET	1	
- 9	55726	• SCREW, MACH-BIND HD 6-32 X .188 LG ATT PT	2	
- 10	216076	• TERMINAL BLOCK AND CONTACT ASSEMBLY	2	
- 11	473547	• SPACER, 1 X 2 3/8 IN .12 IN THICK	1	
- 12	32617	• SCREW, MACH-BIND HD 10-32 X 0.438 LG	2	
- 13	5261313	• BUS BAR	2	
- 14	32042	• SCREW, MACH BIND. HD 10-32 X 3/8 LG. ATT PT	2	
- 15	362206	• COVER, CAPACITOR	2	
- 16	236849	• SCREW, MACH-BIND HD 10-32 X 0.250 LG ATT PT	4	
- 17	5261239	• CLAMP	1	
- 18	55918	• SCREW, MACH-BIND HD 10-32 X 5/8 LG ATT PT	1	
- 19	5709382	• CAPACITOR, FXD, ELECTROLYTIC, 0.047 UF	2	
- 20	5261418	• REACTOR, SATURABLE	1	
- 21	186759	• SCREW, MACH-BIND HD 8-32 X 5/16 LG ATT PT	1	
- 22	38452	• SCREW, MACH-FL CSK HD 8-32 X 5/16 LG ATT PT	1	
- 23	481443	• RESISTOR, FXD, FILM- 34.8 OHMS P/M 1% 500W	1	
- 24	492448	• RESISTOR, FXD, FILM- 130 OHMS P/M 5% 2W	1	
- 25	317077	• RESISTOR, FXD COMP, 10 OHMS P/M 5 PCT 2W	2	
- 26	2102155	• RESISTOR, AXIAL POWER, 500 OHM 5% 5 WATT	1	
- 27	335017	• RESISTOR, FIXED COMP 240 OHMS PM 5% 1W	1	
- 28	533534	• TERMINAL	10	
- 29	10170	• SCREW, MACH-BIND HD 6-32 X 1/4 LG ATT PT	8	
- 30	38442	• SCREW, MACH-FL CSK HD 6-32 X 1/4 LG ATT PT	2	
- 31	62031	• WASHER, LOCK-INT TEETH NO. 6 X 0.295 OD ATT PT	10	
- 32	730432	• GROMMET, CATERPILLAR	AR	
- 33	5261317	• BRACKET	1	
- 34	10170	• SCREW, MACH-BIND HD 6-32 X 1/4 LG ATT PT	2	
- 35	56722	• WASHER, LOCK-EXT TEETH NO. 6 ATT PT	2	
- 36	5261318	• PLATE	1	
- 37	186759	• SCREW, MACH-BIND HD 8-32 X 5/16 LG ATT PT	2	
- 38	38452	• SCREW, MACH-FL CSK HD 8-32 X 5/16 LG ATT PT	1	
- 39	191481	• SHIELD, TERMINAL BLOCK	1	
- 40	210984	• SCREW, RD HD MACH-6-32 X .250 LG ATT PT	1	
- 41	5708939	• CAPACITOR ASM- 0.100MFD P/M 10% 100VDC	1	
- 42	323839	• TERMINAL BOARD- 12 DBL SCREW TERMINALS	1	
- 43	210883	• STUD-SHIELD MTG, TAPPED, NO. 6-32 ATT PT	1	
- 44	210884	• STUD-SHIELD MTG, NO. 6-32 ATT PT	3	
- 45	806569	• STRIP, MARKER	1	
- 46	5261412	• LABEL	1	
- 47	730432	• GROMMET, CATERPILLAR	AR	
- 48	5261423	• TRANSFORMER, POWER	1	
- 49	186758	• SCREW, MACH-BIND HD 8-32 X 0.438 ATT PT	3	
- 50	55901	• WASHER, LOCK-EXT TEETH NO. 8 X 0.381 OD ATT PT	3	
- 51	22478	• WASHER, FL- 0.170 ID 0.375 OD 0.32 THK ATT PT	3	
- 52	257189	• NUT, HEX- 8-32 ATT PT	3	
- 53	10170	• SCREW, MACH-BIND HD 6-32 X 1/4 LG	2	
- 54	56722	• WASHER, LOCK-EXT TEETH NO. 6	2	
- 55	5261419	• CHOKE, FILTER	1	
- 56	4636	• SCREW, MACH-FL CSK HD 8-32 X 3/8 LG ATT PT	2	
- 57	55901	• WASHER, LOCK-EXT TEETH NO. 8 X 0.381 OD ATT PT	2	
- 58	257187	• NUT, PLAIN, HEX- 6-32 X 3/8 FL W ATT PT	2	
- 59	38235	• SCREW, MACH-BIND HD 6-32 X 0.312 LG	1	
- 60	62031	• WASHER, LOCK-INT TEETH NO. 6 X 0.295 OD	1	
- 61	38051	• NUT, PLAIN, HEX- 6-32 X 1/4 FL W STL	1	
- 62	5213402	• RECTIFIER, SILICON	4	
- 63	160017	• NUT, PLAIN, HEX- 1/4-28 X 7/16 FL W ATT PT	4	
- 64	3550	• WASHER, FL- 1/4 X 9/16 OD X 0.050 THK ATT PT	4	
- 65	529691	• WASHER-MICA ATT PT	3	
- 66	217017	• WASHER-INSULATING ATT PT	3	
- 67	65756	• WASHER, LOCK-INT TEETH 0.267 ID X 0.47800 ATT PT	4	
- 68	473592	• INSULATOR	3	
- 69	478043	• JUMPER - PLATE	1	
- 70	5762386	• TERMINAL	2	
- 71	5261320	• HEAT SINK	1	

FOR PARTS
NOT SHOWN
SEE FIG. 41
SHEET 2

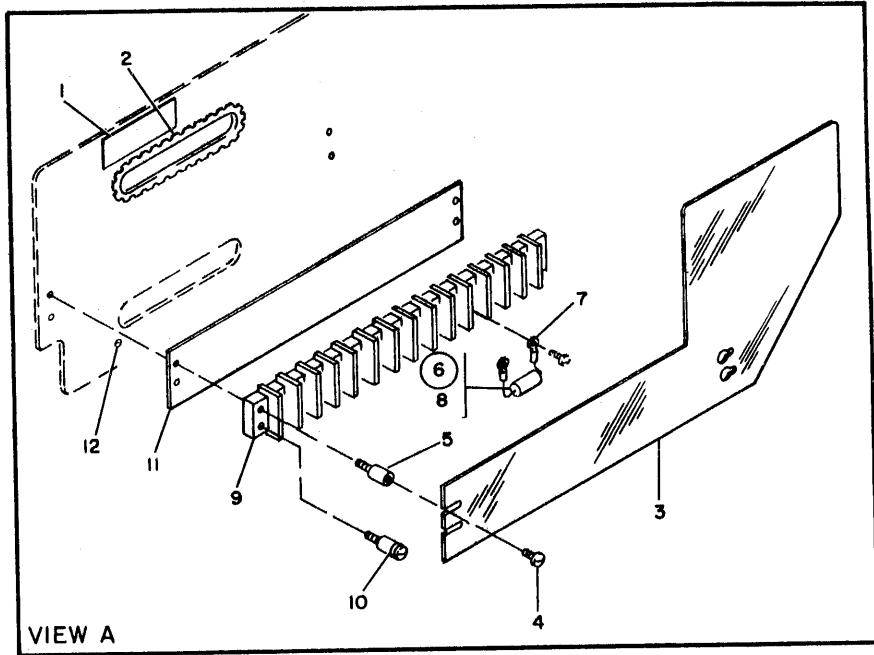
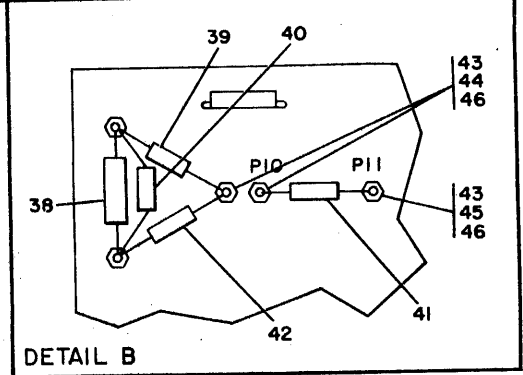
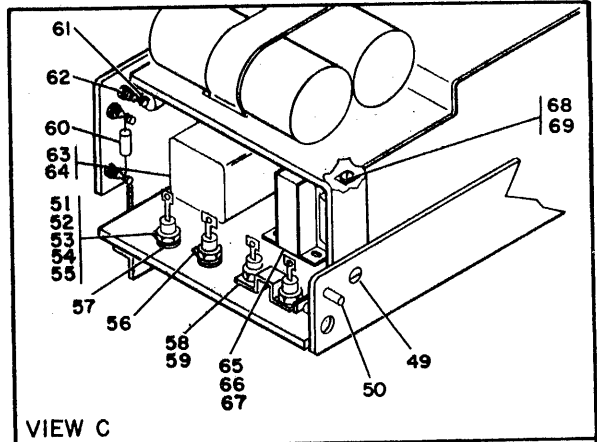
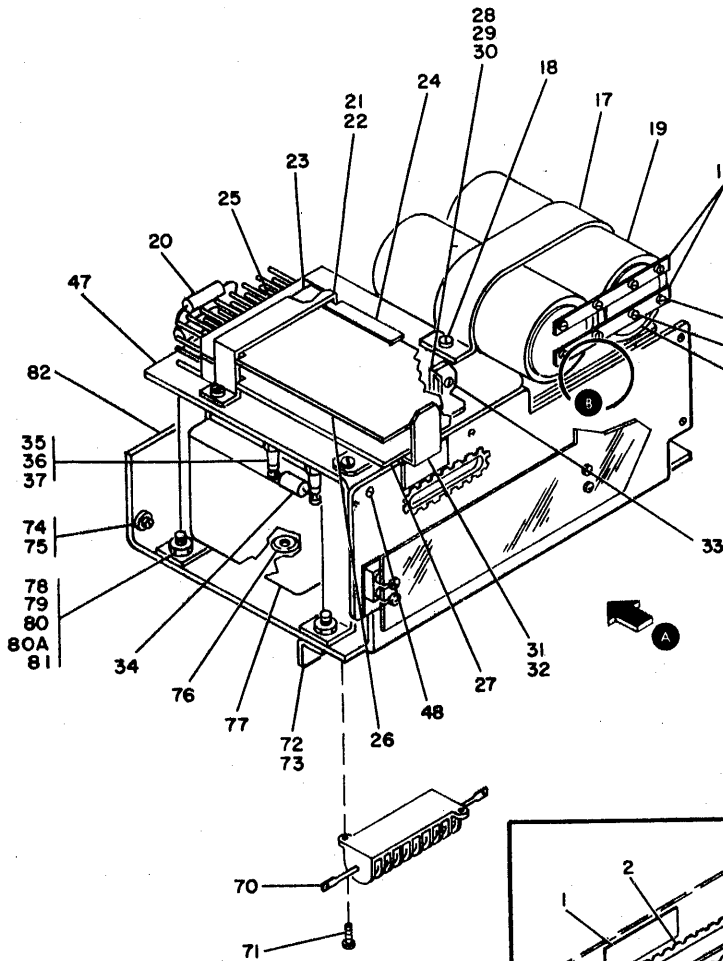


FIGURE 52. 56V AT 4 AMP MAGNETIC AMPLIFIER ASSEMBLY. SEE LIST 52.

LIST AND INDEX NUMBER	PART NUMBER	DESCRIPTION				UNITS PER ASM.	USABLE ON CODE
		1	2	3	4		
		56V AT 4 AMP MAGNETIC AMPLIFIER ASSEMBLY					
52 -	5261480	MAGNETIC AMPLIFIER ASSEMBLY- 56V AT 4AMP SEE FIG. 41-75 FOR NEXT HIGHER ASSEMBLY AND FIG. 52 FOR ILLUSTRATION				REF	
- 1	5261412	• LABEL				1	
- 2	730432	• GROMMET,CATERPILLAR				2	
- 3	5730854	• SHIELD,SAFETY				1	
- 4	210984	• SCREW, RD HD MACH-6-32 X .250 LG ATT PT				1	
- 5	210883	• STUD-SHIELD MTG,TAPPED,NO. 6-32				1	
- 6	5708939	• CAPACITOR ASM- 0.100MFD P/M 10% 100VDC				1	
- 7	334921	• • TERMINAL-RING,18-22 AWG,#6 HOLE,INS				2	
- 8	217077	• • CAPACITOR,FXD-POLY- .1MFD P/M 10% 100VDC				1	
- 9	317314	• TERMINAL BOARD- 4 DBL SCREW TERMINALS				1	
- 10	210884	• STUD-SHIELD MTG,NO. 6-32 ATT PT				3	
- 11	5261294	• STRIP,MARKER				1	
- 12	55726	• SCREW,MACH-BIND HD 6-32 X .188 LG				1	
- 13	362206	• COVER, CAPACITOR				2	
- 14	236849	• SCREW,MACH-BIND HD 10-32 X 0.250 LG ATT PT				4	
- 15	5261313	• BUS BAR				2	
- 16	32617	• SCREW,MACH-BIND HD 10-32 X 0.438 LG ATT PT				4	
- 17	5261325	• BRACKET				1	
- 18	55918	• SCREW,MACH-BIND HD 10-32 X 5/8 LG ATT PT				1	
- 19	5261369	• CAPACITOR,ELEC-5000 UF P/M 10% 75VDC				2	
- 20	5261789	• CAPACITOR ASSEMBLY,0.022UF,PORM 10 PCT				2	
- 21	473530	• BRACKET				1	
- 22	55726	• SCREW,MACH-BIND HD 6-32 X .188 LG ATT PT				2	
- 23	473547	• SPACER,1 X 2 3/8 IN .12 IN THICK				1	
- 24	216207	• GUIDE-SINGLE CARD SHORT				2	
- 25	216076	• TERMINAL BLOCK AND CONTACT ASSEMBLY				2	
- 26	374771	• CARD ASM				1	
- 27	372973	• CARD				1	
- 28	5261317	• BRACKET				1	
- 29	10170	• SCREW,MACH-BIND HD 6-32 X 1/4 LG ATT PT				2	
- 30	56722	• WASHER,LOCK-EXT TEETH NO. 6 ATT PT				2	
- 31	5261316	• BRACKET, CARD RETAINING				1	
- 32	479714	• SCREW,SHLDR-FLAT HD 4-40 X 19/64 LG ATT PT				1	
- 33	5261354	• SCREW,MACH,CAPTIVE- 6-32 X 3/8 LG ATT PT				1	
- 34	335017	• RESISTOR,FIXED COMP 240 OHMS PM 5% 1W				1	
- 35	533534	• TERMINAL				4	
- 36	10170	• SCREW,MACH-BIND HD 6-32 X 1/4 LG ATT PT				4	
- 37	62031	• WASHER,LOCK-INT TEETH NO. 6 X 0.295 OD ATT PT				4	
- 38	491319	• CAPACITOR-4700MFD 100V				1	
- 39	479168	• RESISTOR,FXD,FILM- 12.40K P/M 1% 1/8W				1	
- 40	5213445	• RESISTOR,FIXED,FILM-9.76K P/M 1 PCT 0.5W				1	
- 41	207324	• RESISTOR,FXD,WW- 0.1 OHM P/M 5% 5W				1	
- 42	481613	• RESISTOR				1	
- 43	533534	• TERMINAL				5	
- 44	10170	• SCREW,MACH-BIND HD 6-32 X 1/4 LG ATT PT				3	
- 45	38442	• SCREW,MACH-FI CSK HD 6-32 X 1/4 LG ATT PT				2	
- 46	62031	• WASHER,LOCK-INT TEETH NO. 6 X 0.295 OD ATT PT				5	
- 47	5261257	• PLATE-CAPACITOR				1	
- 48	186759	• SCREW,MACH-BIND HD 8-32 X 5/16 LG ATT PT				2	
- 49	38452	• SCREW,MACH-FL CSK HD 8-32 X 5/16 LG ATT PT				1	
- 50	5261379	• PIN,STRAIGHT DOWEL				2	
- 51	5213400	• RECTIFIER,SILICON				4	
- 52	11891	• NUT-PLAIN,HEX,10-32 X 3/8 FL W BRS ATT PT				4	
- 53	56121	• WASHER,LOCK-INT TEETH NO. 10 X 0.381 OD ATT PT				4	
- 54	45690	• WASHER, FL - NO.10 X 7/16 OD X 1/32 THK ATT PT				4	
- 55	217019	• WASHER, INSULATING ATT PT				6	
- 56	316996	• TERMINAL,LUG-NONINS 9AWG NO. 8 MTG HOLE				2	
- 57	473582	• INSULATOR				4	
- 58	478043	• JUMPER - PLATE				1	
- 59	217019	• WASHER, INSULATING				2	
- 60	332585	• RESISTOR				1	
- 61	492570	• CAPACITOR,TANTALUM-220 UUF P/M 20% 10VDC				1	
- 62	5261459	• TERMINAL,STANDOFF				2	
- 63	5261258	• REACTOR,SATURABLE				1	
- 64	186759	• SCREW,MACH-BIND HD 8-32 X 5/16 LG ATT PT				2	
- 65	5261259	• CHOKE,FILTER				1	
- 66	58207	• SCREW,MACH-UNDRCT BIND HD 8-32 X 1/4 LG ATT PT				4	
- 67	55901	• WASHER,LOCK-EXT TEETH NO. 8 X 0.381 OD ATT PT				4	
- 68	55726	• SCREW,MACH-BIND HD 6-32 X .188 LG				2	
- 69	56722	• WASHER,LOCK-EXT TEETH NO. 6				2	
- 70	5240462	• RESISTOR,FXD,WW-150 OHMS P/M 5% 50W				1	
- 71	438548	• SCREW,MACH-BIND HD 4-40 X 3/16 LG ATT PT				2	

FOR PARTS
NOT SHOWN
SEE FIG. 41
SHEET 2

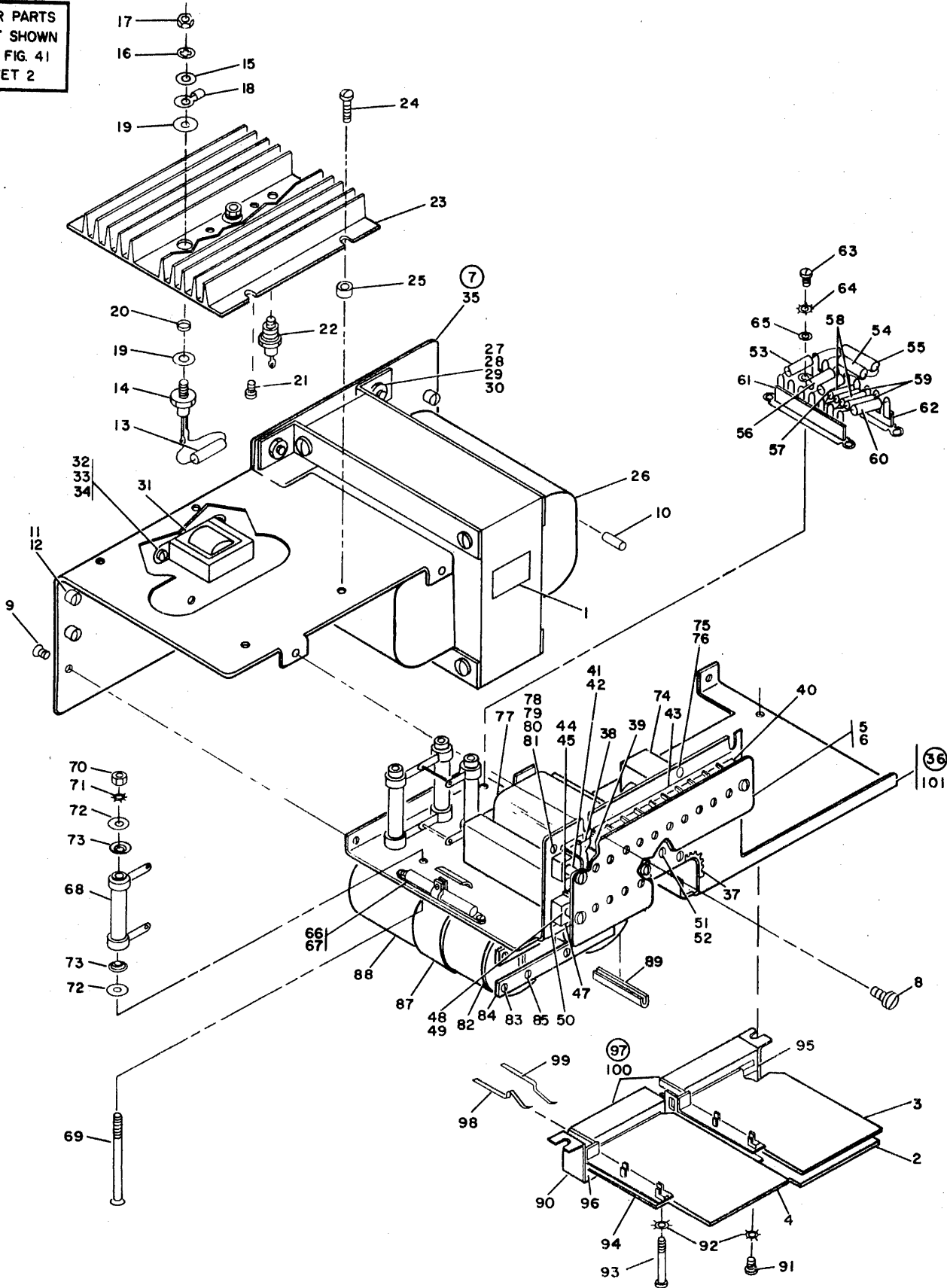


FIGURE 53. 60V AT 8 AMP POWER SUPPLY ASSEMBLY. SEE LIST 53.

LIST AND INDEX NUMBER	PART NUMBER	DESCRIPTION	UNITS PER ASM.	USABLE ON CODE
		60V AT 8 AMP POWER SUPPLY ASSEMBLY		
53 -	5253780	POWER SUPPLY ASM-60V AT 8 AMP SEE FIG. 41-76 FOR NEXT HIGHER ASSEMBLY AND FIG. 53 FOR ILLUSTRATION	REF	
- 1	5261412	. LABEL	1	
- 2	372973	. CARD	1	
- 3	374826	. CARD ASSEMBLY	1	
- 4	374981	. CARD ASSEMBLY	1	
- 5	5709464	. SHIELD	1	
- 6	210984	. SCREW, RD HD MACH-6-32 X .250 LG ATT PT	1	
- 7	5253788	. PLATE ASM-BOT POWER SUPPLY 60V AT 8 AMP	1	
- 8	81693	. SCREW, MACH-BIND HD 6-32 X 3/8 LG ATT PT	2	
- 9	38443	. SCREW, MACH-FL CSK HD 6-32 X 5/16 LG ATT PT	4	
- 10	5261379	. . PIN, STRAIGHT DOWEL	1	
- 11	5261315	. . ADAPTER-CAPTIVE SCREW	4	
- 12	5261314	. . SCREW, CAPTIVE- 10-32 X 1/2 LG ATT PT	4	
- 13	529203	. . CAPACITOR, FIXED, TANTALUM-47 UF 35V	2	
- 14	5213349	. . SEMICONDUCTOR DEVICE-CONTROLLED RECT	2	
- 15	3550	. . WASHER, FL- 1/4 X 9/16 OD X 0.050 THK ATT PT	2	
- 16	76574	. . LOCKWASHER-EXT TOOTH ID .267 X OD .510 ATT PT	2	
- 17	160017	. . NUT, PLAIN, HEX- 1/4-28 X 7/16 FL W ATT PT	4	
- 18	360370	. . TERMINAL-WIRE RING TONGUE	2	
- 19	529691	. . WASHER-MICA	4	
- 20	5351173	. . BUSHING-INSULATOR	2	
- 21	183900	. . SCREW, THD CTG-BIND HD 8-32 X 1/4 LG	2	
- 22	216197	. . RECTIFIER, SILICON-ALLOY	1	
- 23	5253807	. . HEAT SINK-DIODE	1	
- 24	337	. . SCREW, MACH-FIL H 8-32 X 3/8 LG ATT PT	4	
- 25	337549	. . INSULATOR - HEAT SINK MOUNTING	4	
- 26	5253783	. . TRANSFORMER-POWER	1	
- 27	325660	. . SCREW-MACH FH 1/4-20 X .625 LG ATT PT	4	
- 28	3550	. . WASHER, FL- 1/4 X 9/16 OD X 0.050 THK ATT PT	4	
- 29	76574	. . LOCKWASHER-EXT TOOTH ID .267 X OD .510 ATT PT	4	
- 30	3960	. . NUT, PLAIN, HEX- 1/4-20 X 7/16 FL W ATT PT	4	
- 31	5253835	. . TRANSFORMER	1	
- 32	55726	. . SCREW, MACH-BIND HD 6-32 X .188 LG ATT PT	2	
- 33	56722	. . WASHER, LOCK-EXT TEETH NO. 6 ATT PT	2	
- 34	257986	. . WASHER, FLAT NO. 6 ATT PT	2	
- 35	5253784	. . PLATE-POWER SUPPLY MTG	1	
- 36	5253789	. . PLATE ASM-TOP POWER SUPPLY 60V AT 8 AMP	1	
- 37	730432	. . GROMMET, CATERPILLAR	1	
- 38	5276271	. . TAB, TERMINAL	11	
- 39	5276270	. . TAB, TERMINAL	11	
- 40	5253845	. . TERMINAL BOARD-12 POS	1	
- 41	210884	. . STUD-SHIELD MTG, NO. 6-32 ATT PT	2	
- 42	62031	. . WASHER, LOCK-INT TEETH NO. 6 X 0.295 OD ATT PT	2	
- 43	5253825	. . MARKER STRIP-12 POS	1	
- 44	5276271	. . TAB, TERMINAL	4	
- 45	5276270	. . TAB, TERMINAL	4	
- 46	5253824	. . TERMINAL BOARD-4 POS	1	
- 47	210883	. . STUD-SHIELD MTG, TAPPED, NO. 6-32 ATT PT	1	
- 48	322550	. . SCREW	1	
- 49	62031	. . WASHER, LOCK-INT TEETH NO. 6 X 0.295 OD ATT PT	2	
- 50	5253823	. . MARKER STRIP-4 POS	1	
- 51	10170	. . SCREW, MACH-BIND HD 6-32 X 1/4 LG	1	
- 52	56722	. . WASHER, LOCK-EXT TEETH NO. 6	1	
- 53	479168	. . RESISTOR, FXD, FILM- 12.40K P/M 1% 1/8W	1	
- 54	5213445	. . RESISTOR, FIXED, FILM-9.76K P/M 1 PCT 0.5W	1	
- 55	491318	. . CAPACITOR, POLYESTER 0.22 MFD P/M 5 PCT	1	
- 56	481613	. . RESISTOR	1	
- 57	492384	. . RESISTOR, FXD, 422 OHMS 1/8W 1%	1	
- 58	301815	. . RESISTOR	2	
- 59	491227	. . CAPACITOR, FILM, .001 MMFD 10% 100 VOLTS	2	
- 60	512400	. . RESISTOR, FXD, COMP- 200 OHMS P/M 5% 1W	1	
- 61	317199	. . TERMINAL BOARD-14 POS	1	
- 62	317200	. . TERMINAL BOARD- 8 LUG TERMINALS	1	
- 63	55726	. . SCREW, MACH-BIND HD 6-32 X .188 LG ATT PT	4	
- 64	56722	. . WASHER, LOCK-EXT TEETH NO. 6 ATT PT	4	
- 65	257986	. . WASHER, FLAT NO. 6 ATT PT	4	
- 66	505375	. . RESISTOR-POWER 200 OHMS	1	
- 67	438548	. . SCREW, MACH-BIND HD 4-40 X 3/16 LG ATT PT	2	
- 68	5762466	. . RESISTOR	4	
- 69	5213285	. . SCREW, MACH-FL CSK HD 6-32 X 2-1/2 LG ATT PT	4	
- 70	56722	. . WASHER, LOCK-EXT TEETH NO. 6 ATT PT	4	
- 71	257187	. . NUT, PLAIN, HEX- 6-32 X 3/8 FL W ATT PT	4	

FOR PARTS
NOT SHOWN
SEE FIG. 41
SHEET 2

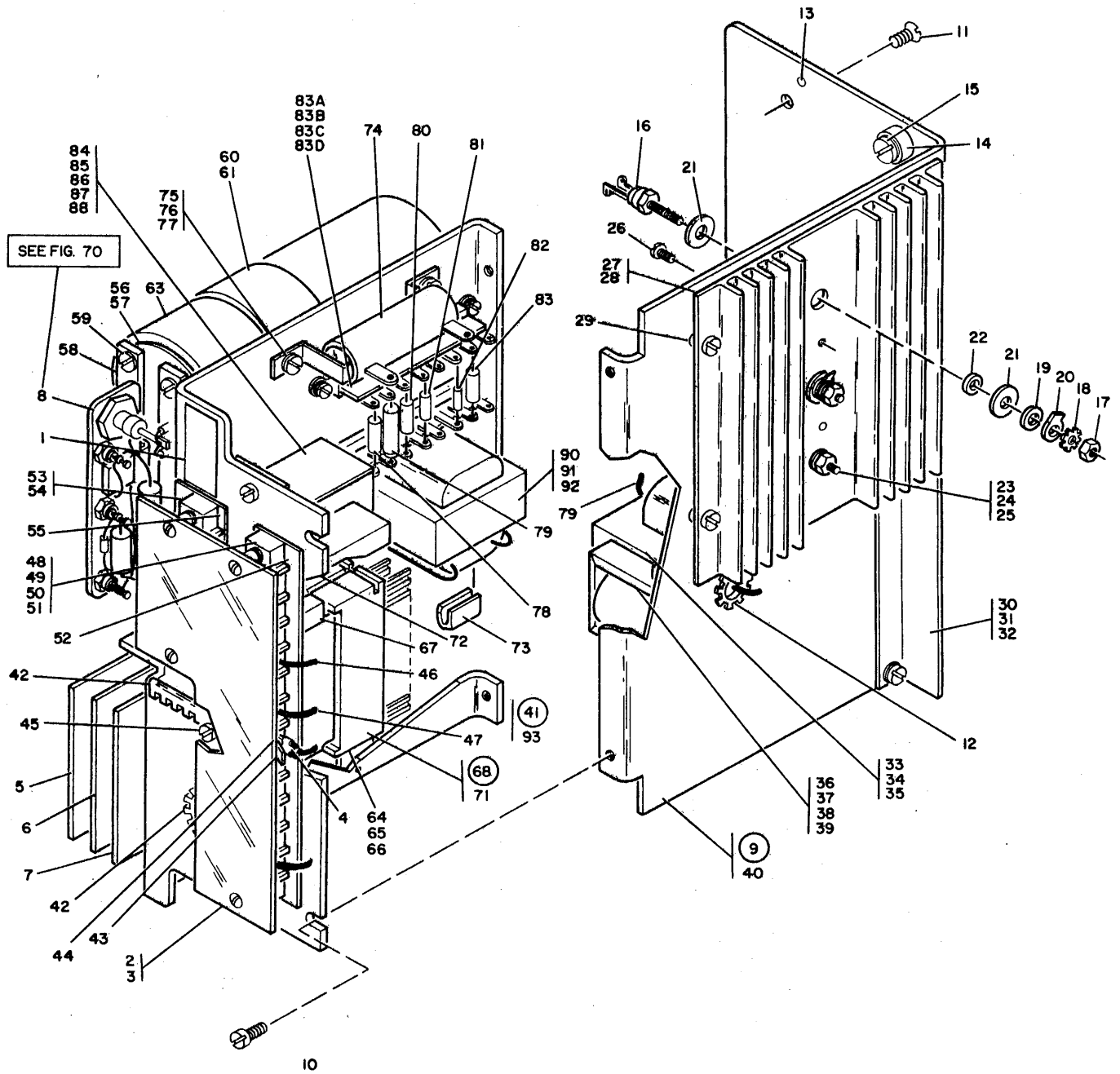


FIGURE 54. 12 P/M 6VDC AT 5A O/V O/C POWER SUPPLY ASSEMBLY. SEE LIST 54.

LIST AND INDEX NUMBER	PART NUMBER	DESCRIPTION	UNITS PER ASM.	USABLE ON CODE
		12 P/M 6 VDC AT 5 AMP O/V O/C POWER SUPPLY ASSEMBLY		
54 -	5712160	POWER SUPPLY ASSEMBLY- O/V O/C SEE FIG. 41-77 FOR NEXT HIGHER ASSEMBLY AND FIG. 54 FOR ILLUSTRATION	REF	
- 1	5261412	. LABEL	1	
- 2	5253820	. COVER-TERM BOARD	1	
- 3	10170	. SCREW,MACH-BIND HD 6-32 X 1/4 LG ATT PT	2	
- 4	596255	. TERMINAL,SLIP-ON	1	
- 5	374772	. CARD ASM	1	
- 6	374826	. CARD ASSEMBLY	1	
- 7	374981	. CARD ASSEMBLY	1	
- 8	5708932	. REMOTE O/V-O/C SEE FIG. 70 FOR DETAIL BREAKDOWN	1	
- 9	5712173	. PLATE ASSEMBLY	1	
- 10	81693	. SCREW,MACH-BIND HD 6-32 X 3/8 LG ATT PT	3	
- 11	38443	. SCREW,MACH-FL GSK HD 6-32 X 5/16 LG ATT PT	3	
- 12	730432	. GROMMET,CATERPILLAR	1	
- 13	5261379	. PIN,STRAIGHT DOWEL	2	
- 14	5261315	. ADAPTER-CAPTIVE SCREW	2	
- 15	5261314	. SCREW,CAPTIVE- 10-32 X 1/2 LG ATT PT	2	
- 16	5311759	. SEMICONDUCTOR DEVICE,DIODE	2	
- 17	160017	. NUT,PLAIN,HEX- 1/4-28 X 7/16 FL W ATT PT	2	
- 18	76574	. LOCKWASHER-EXT TOOTH ID .267 X OD .510 ATT PT	2	
- 19	3550	. WASHER,FL- 1/4 X 9/16 OD X 0.050 THK ATT PT	2	
- 20	15484	. LUG	2	
- 21	529691	. WASHER-MTCA	8	
- 22	5351173	. BUSHING-INSULATOR	2	
- 23	216197	. RECTIFIER,SILICON-ALLOY	1	
- 24	11891	. NUT-PLAIN,HEX,10-32 X 3/8 FL W BRS ATT PT	1	
- 25	56079	. WASHER,LOCK-EXT T .195 ID .410 OD ATT PT	1	
- 26	183900	. SCREW,THD CTG-BIND HD 8-32 X 1/4 LG	2	
- 27	5253807	. HEAT SINK-DIODE	1	
- 28	337	. SCREW,MACH-FIL H 8-32 X 3/8 LG ATT PT	4	
- 29	337549	. INSULATOR - HEAT SINK MOUNTING	4	
- 30	5253827	. BRACKET-AIR TRANSFER	1	
- 31	10170	. SCREW,MACH-BIND HD 6-32 X 1/4 LG ATT PT	2	
- 32	56722	. WASHER,LOCK-EXT TEETH NO. 6 ATT PT	2	
- 33	5712169	. TRANSFORMER- 2500 HZ SQ WAVE	1	
- 34	58207	. SCREW,MACH-UNDRCT BIND HD 8-32 X 1/4 LG ATT PT	2	
- 35	55901	. WASHER,LOCK-EXT TEETH NO. 8 X 0.381 OD ATT PT	2	
- 36	5253835	. TRANSFORMER	1	
- 37	10170	. SCREW,MACH-BIND HD 6-32 X 1/4 LG ATT PT	2	
- 38	56722	. WASHER,LOCK-EXT TEETH NO. 6 ATT PT	2	
- 39	257986	. WASHER,FLAT NO. 6 ATT PT	2	
- 40	5712167	. PLATE	1	
- 41	5712163	. PLATE ASSEMBLY	1	
- 42	5240477	. SHIELD,CAPACITOR	2	
- 43	5276270	. TAB,TERMINAL	4	
- 44	5276271	. TAB,TERMINAL	11	
- 45	10170	. SCREW,MACH-BIND HD 6-32 X 1/4 LG	1	
- 46	334921	. TERMINAL-RING,18-22 AWG,#6 HOLE,INS	4	
- 47	596255	. TERMINAL,SLIP-ON	10	
- 48	5253845	. TERMINAL BOARD-12 POS	1	
- 49	210883	. STUD-SHIELD MTG,TAPPED,NO. 6-32 ATT PT	2	
- 50	56722	. WASHER,LOCK-EXT TEETH NO. 6 ATT PT	2	
- 51	257986	. WASHER,FLAT NO. 6 ATT PT	2	
- 52	5253825	. MARKER STRIP-12 POS	1	
- 53	5253824	. TERMINAL BOARD-4 POS	1	
- 54	322550	. SCREW	2	
- 55	5253823	. MARKER STRIP-4 POS	1	
- 56	5240477	. SHIELD,CAPACITOR	2	
- 57	332620	. SCREW,MACH-BIND HD 10-32 X 1/2 LG ATT PT	4	
- 58	5253804	. BUS BAR-CAPACITOR	2	
- 59	236849	. SCREW,MACH-BIND HD 10-32 X 0.250 LG ATT PT	4	
- 60	5253822	. BRACKET-CAPACITOR MTG	1	
- 61	10295	. SCREW,MACH-BIND HD 10-32 X 1.125 LG ATT PT	1	
- 62	56079	. WASHER,LOCK-EXT T .195 ID .410 OD ATT PT	1	
- 63	1143248	. CAPACITOR,FIXED,ELECT-1500 UF 25V	2	
- 64	5253806	. BRACKET-CONNECTOR MTG	1	
- 65	10170	. SCREW,MACH-BIND HD 6-32 X 1/4 LG ATT PT	2	
- 66	56722	. WASHER,LOCK-EXT TEETH NO. 6 ATT PT	2	
- 67	216206	. GUIDE-SINGLE CARD LONG	3	
- 68	216076	. TERMINAL BLOCK AND CONTACT ASSEMBLY	3	
- 69	216088	. SPRING-CONTACT	8	
- 70	216087	. SPRING-CONTACT	8	

FOR PARTS
NOT SHOWN
SEE FIG 51
SHEET 2

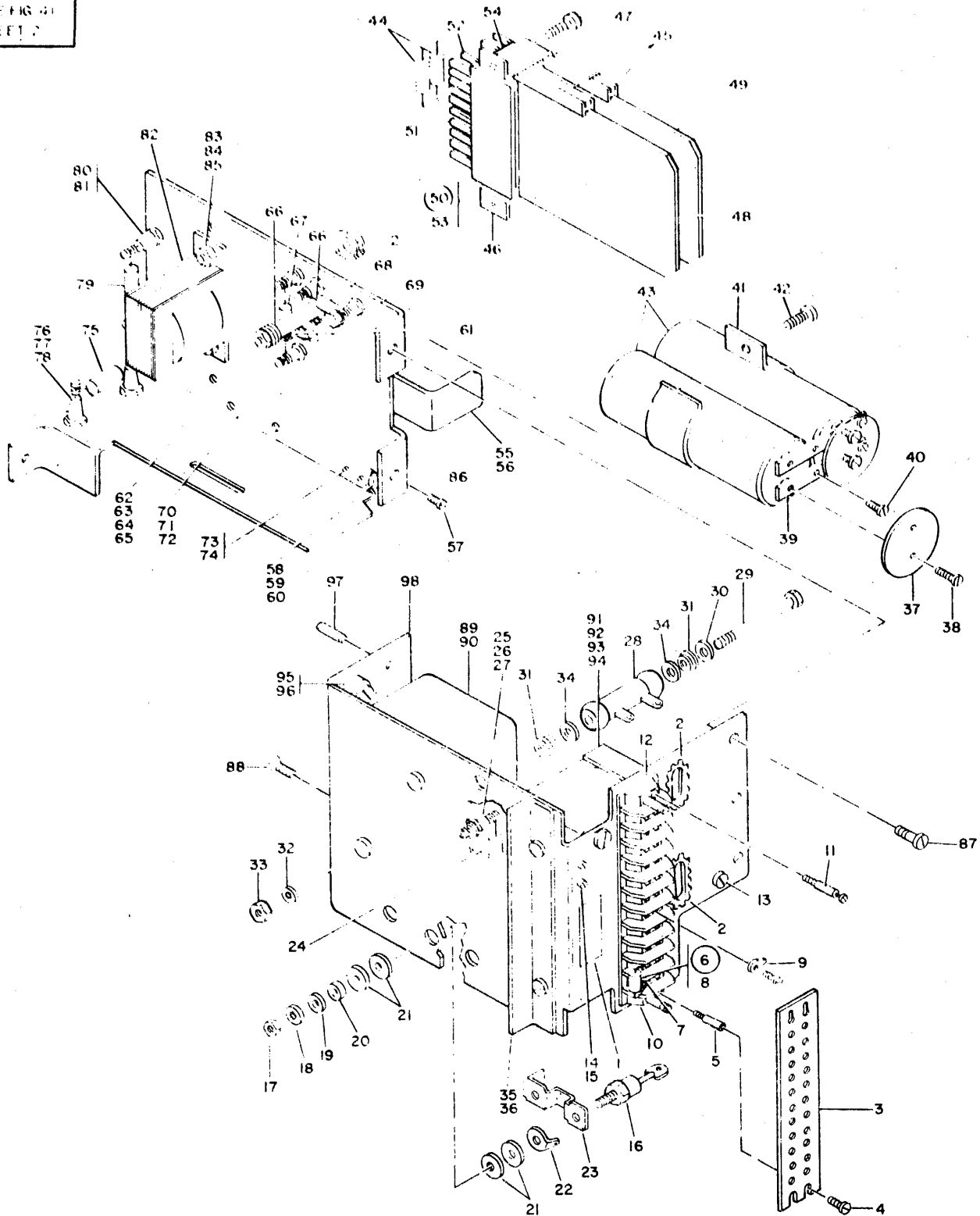


FIGURE 55. 48V AT 2 AMP MAGNETIC AMPLIFIER ASSEMBLY. SEE LIST 55.

LIST AND INDEX NUMBER	PART NUMBER	DESCRIPTION	UNITS PER ASM.	USABLE ON CODE
		48V AT 2 AMP MAGNETIC AMPLIFIER ASSEMBLY		
55 -	5261280	AMPLIFIER ASSEMBLY, 48V AT 2AMP MAGNETIC SEE FIG. 41-78 FOR NEXT HIGHER ASSEMBLY AND FIG. 55 FOR ILLUSTRATION	REF	
- 1	5261412	• LABEL	1	
- 2	730432	• GROMMET, CATERPILLAR	3	
- 3	187843	• SHIELD	1	
- 4	210984	• SCREW, RD HD MACH-6-32 X .250 LG	1	ATT PT
- 5	5261627	• STUD, EXTENSION	1	
- 6	5708939	• CAPACITOR ASM- 0.100MFD P/M 10% 100VDC	1	
- 7	334921	• TERMINAL-RING, 18-22 AWG, #6 HOLE, INS	2	
- 8	217077	• CAPACITOR, FXD-POLY- .1MFD P/M 10% 100VDC	1	
- 9	334921	• TERMINAL-RING, 18-22 AWG, #6 HOLE, INS	4	
- 10	80352	• STRIP	1	
- 11	5261626	• STUD	3	ATT PT
- 12	341492	• MARKER, TERMINAL	1	
- 13	38452	• SCREW, MACH-FL CSK HD 8-32 X 5/16 LG	2	
- 14	55726	• SCREW, MACH-BIND HD 6-32 X .188 LG	1	
- 15	56722	• WASHER, LOCK-EXT TEETH NO. 6	1	
- 16	5213400	• RECTIFIER, SILICON	4	
- 17	11891	• NUT-PLAIN, HEX, 10-32 X 3/8 FL W BRS	1	ATT PT
- 18	56121	• WASHER, LOCK-INT TEETH NO. 10 X 0.381 OD	4	ATT PT
- 19	45690	• WASHER, FL - NO.10 X 7/16 OD X 1/32 THK	1	ATT PT
- 20	473582	• INSULATOR	4	
- 21	217019	• WASHER, INSULATING	10	
- 22	316996	• TERMINAL, LUG-NONINS 9AWG NO. 8 MTG HOLE	2	
- 23	478043	• JUMPER - PLATE	1	
- 24	326367	• CAPACITOR, FXD, PAPER- 0.1 UF P/M 10% 400V	1	
- 25	533534	• TERMINAL	1	
- 26	10170	• SCREW, MACH-BIND HD 6-32 X 1/4 LG	1	ATT PT
- 27	62031	• WASHER, LOCK-INT TEETH NO. 6 X 0.295 OD	1	ATT PT
- 28	2102582	• RESISTOR, FXD, WW- 250 OHMS P/M 5% 25W	1	
- 29	438593	• SCREW-MACH-BIND HD NO. 8-32 X 2 1/2 LG	1	ATT PT
- 30	22478	• WASHER, FL- 0.170 ID 0.375 OD 0.32 THK	1	ATT PT
- 31	507144	• WASHER-CENTERING 0.173 ID X 5/8 OD	2	ATT PT
- 32	60646	• WASHER, LOCK-INT T NO. 8	1	ATT PT
- 33	257189	• NUT, HEX- 8-32	1	ATT PT
- 34	442958	• INSULATOR, WASH- 7/16 ID 3/4 OD 1/32 THK	2	
- 35	5261286	• BRACKET	1	
- 36	55726	• SCREW, MACH-BIND HD 6-32 X .188 LG	2	ATT PT
- 37	5261296	• COVER-CAPACITOR	2	
- 38	32042	• SCREW, MACH BIND. HD 10-32 X 3/8 LG.	4	ATT PT
- 39	5261306	• BUS BAR	2	
- 40	221790	• SCREW, MACH-BIND HD 8-32 X 3/16 LG	4	ATT PT
- 41	5261276	• CLAMP	1	
- 42	186758	• SCREW, MACH-BIND HD 8-32 X 0.438	1	ATT PT
- 43	5709383	• CAPACITOR, FIXED, ELECT-2500 UF 75 V	2	
- 44	5261789	• CAPACITOR ASSEMBLY, 0.022UF, PORM 10 PCT	2	
- 45	216207	• GUIDE-SINGLE CARD SHORT	2	
- 46	473530	• BRACKET	1	
- 47	55726	• SCREW, MACH-BIND HD 6-32 X .188 LG	2	ATT PT
- 48	372973	• CARD	1	
- 49	372969	• CARD	1	
- 50	216076	• TERMINAL BLOCK AND CONTACT ASSEMBLY	2	
- 51	216088	• SPRING-CONTACT	8	
- 52	216087	• SPRING-CONTACT	8	
- 53	216073	• TERMINAL BLOCK AND CONTACT ASSEMBLY	1	
- 54	473547	• SPACER, 1 X 2 3/8 IN .12 IN THICK	1	
- 55	5261316	• BRACKET, CARD RETAINING	1	
- 56	479714	• SCREW, SHLDR-FLAT HD 4-40 X 19/64 LG	2	ATT PT
- 57	5261354	• SCREW, MACH, CAPTIVE- 6-32 X 3/8 LG	1	
- 58	5261317	• BRACKET	1	
- 59	10170	• SCREW, MACH-BIND HD 6-32 X 1/4 LG	1	ATT PT
- 60	56722	• WASHER, LOCK-EXT TEETH NO. 6	1	ATT PT
- 61	239611	• RESISTOR, WW, ADJUSTABLE- 5K 10W	1	
- 62	438592	• SCREW, MACH-BIND HD 8-32 X 2-1/4 LG	1	ATT PT
- 63	60646	• WASHER, LOCK-INT T NO. 8	2	ATT PT
- 64	22478	• WASHER, FL- 0.170 ID 0.375 OD 0.32 THK	2	ATT PT
- 65	257189	• NUT, HEX- 8-32	1	ATT PT
- 66	419130	• WASHER, MICA, .195 I.D., 5/8 O.D. X .002 THCK	2	
- 67	501551	• RESISTOR, FIXED, WIREWOUND	1	
- 68	317429	• RESISTOR, FXD, COMP- 1.3K P/M 5% 1/2W	1	
- 69	492411	• CAPACITOR, FXD, FILM- 0.10 UF P/M 5% 100V	1	
- 70	533534	• TERMINAL	4	
- 71	10170	• SCREW, MACH-BIND HD 6-32 X 1/4 LG	4	ATT PT

FOR PARTS
NOT SHOWN
SEE FIG. 41
SHEET 2

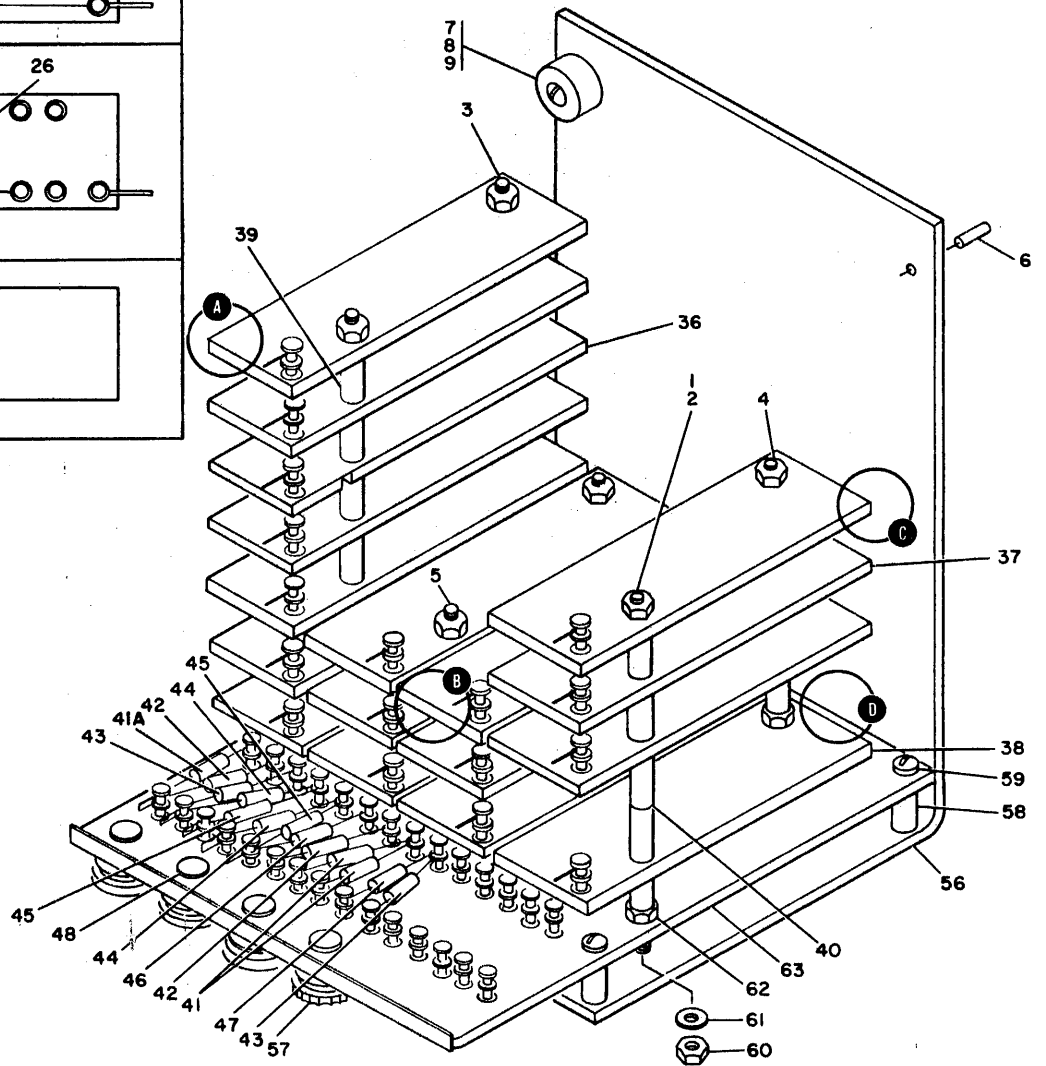
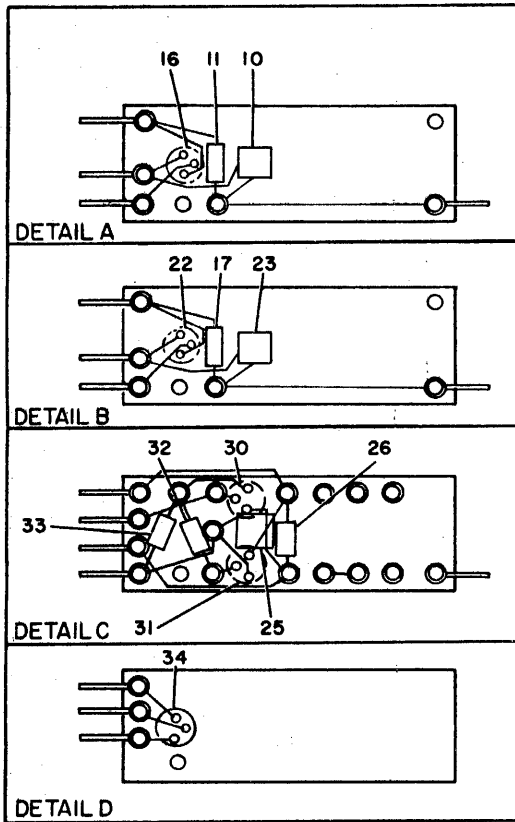
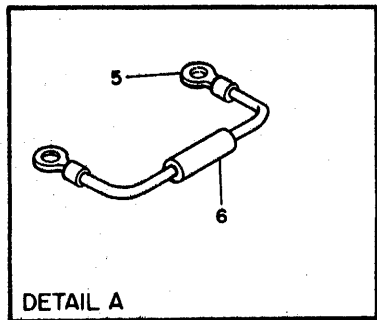


FIGURE 56. OVERVOLTAGE ASSEMBLY. SEE LIST 56.

LIST AND INDEX NUMBER	PART NUMBER	DESCRIPTION	UNITS PER ASM.	USABLE ON CODE
			1 2 3 4	
		OVERVOLTAGE ASSEMBLY		
56 -	5364170	OVERVOLTAGE ASM SEE FIG. 41-79 FOR NEXT HIGHER ASSEMBLY AND FIG. 56 FOR ILLUSTRATION	REF	
- 1	257187	• NUT,PLAIN,HEX- 6-32 X 3/8 FL W	8	
- 2	6364	• WASHER,LOCK-SPLIT NO. 6 X 1/4 OD	8	
- 3	5271669	• STUD	2	
- 4	5495780	• STUD	2	
- 5	322555	• SCREW,MACH-RH 6-32 X 2-1/4 LG	4	
- 6	5351116	• PIN,LOCATING	2	
- 7	5351115	• INSULATOR-BUSHING	2	
- 8	5351114	• BUSHING-CAP	2	
- 9	5351113	• SCREW-CAPTIVE BIND HD 10/32 X 1.0 LG ATT PT	2	
- 10	419184	• CAPACITOR-O 1MFD 75V	10	
- 11	213693	• RESISTOR,FXD,COMP- 1K P/M 5% 1/2W	10	
- 16	369652	• TRANSISTOR-PNP	10	
- 17	213693	• RESISTOR,FXD,COMP- 1K P/M 5% 1/2W	3	
- 22	369652	• TRANSISTOR-PNP	3	
- 23	419184	• CAPACITOR-O 1MFD 75V	3	
- 25	419184	• CAPACITOR-O 1MFD 75V	3	
- 26	213693	• RESISTOR,FXD,COMP- 1K P/M 5% 1/2W	3	
- 30	369654	• TRANSISTOR-NPN	3	
- 31	369652	• TRANSISTOR-PNP	3	
- 32	360902	• RESISTOR,FXD,COMP-270 MEGOHM P/M 5% 1/2W	3	
- 33	317006	• RESISTOR,FXD,COMP- 200 OHMS P/M 5% 1/2W	3	
- 34	369652	• TRANSISTOR-PNP	3	
- 36	5495783	• COMPONENT BOARD	1	
- 37	5361891	• COMPONENT BOARD	13	
- 38	5361890	• COMPONENT BOARD	3	
- 39	5361886	• SPACER	1	
- 40	323656	• SPACER- 3/16 ID X 5/16 OD X 1/2 THK	32	
- 41	360902	• RESISTOR,FXD,COMP-270 MEGOHM P/M 5% 1/2W	4	
- 41A	321196	• RESISTOR,FXD- 220 OHMS 1 WATT	2	
- 42	317008	• RESISTOR,FXD- 300 OHMS 1/2 WATT	1	
- 43	317009	• RESISTOR,FXD 390 OHM P/M 5 PCT 0.5W	2	
- 44	209002	• SEMICONDUCTOR DEVICE,DIODE	2	
- 45	491017	• CAPACITOR,ELECTROLYTIC-5 UF P/M20% 50VDC	2	
- 46	317432	• RESISTOR,FXD 470 OHM P/M 5% 1 WATT	1	
- 47	317015	• RESISTOR,FXD,COMP- 750 OHMS P/M 5% 1/2W	1	
- 48	483115	• POTENTIOMETER-250 OHMS P/M 5% 1W	4	
- 56	5495827	• FRAME	1	
- 57	483115	• POTENTIOMETER-250 OHMS P/M 5% 1W	4	
- 58	5361886	• SPACER	4	
- 59	322552	• SCREW,MACH-BIND HD 6-32 X 7/8 LG ATT PT	2	
- 60	257187	• NUT,PLAIN,HEX- 6-32 X 3/8 FL W	4	
- 61	6364	• WASHER,LOCK-SPLIT NO. 6 X 1/4 OD	4	
- 62	257187	• NUT,PLAIN,HEX- 6-32 X 3/8 FL W	8	
- 63	5361889	• COMPONENT BOARD	1	



FOR PARTS
NOT SHOWN
SEE FIG. 41
SHEET 3

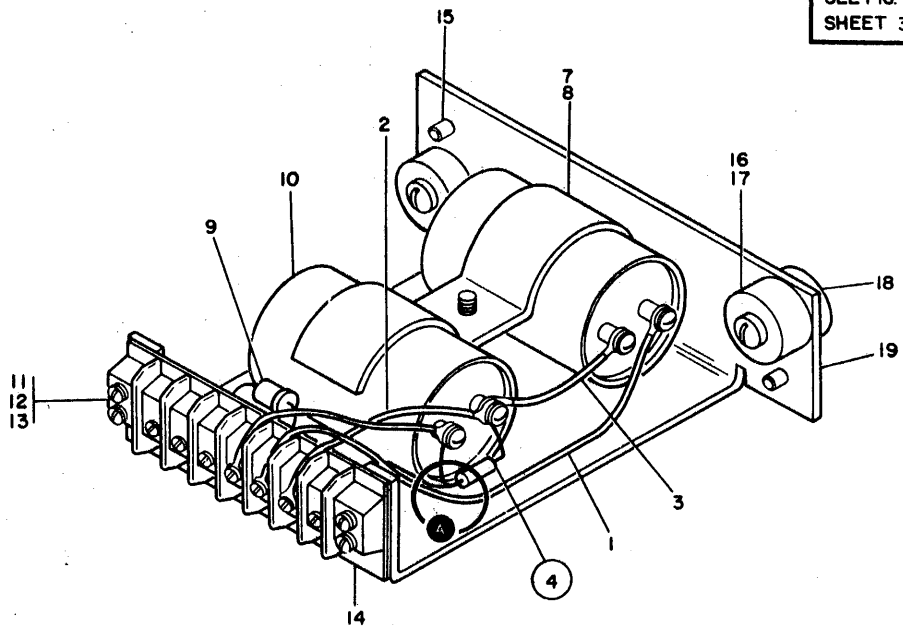


FIGURE 57. OVERVOLTAGE POWER SUPPLY ASSEMBLY. SEE LIST 57.

LIST AND INDEX NUMBER	PART NUMBER	DESCRIPTION	UNITS	
			PER ASM.	USABLE ON CODE
		1 2 3 4		
		OVERVOLTAGE POWER SUPPLY ASSEMBLY		
57 -	5351111	POWER SUPPLY ASSEMBLY, OVERVOLTAGE SEE FIG. 41-145 FOR NEXT HIGHER ASSEMBLY AND FIG. 57 FOR ILLUSTRATION		REF
- 1	442499	• JUMPER ASSEMBLY		1
- 2	5351157	• JUMPER ASSEMBLY SEE FIG. 79-42B AND -48 FOR COMPONENT PARTS		AR
- 3	2101310	• JUMPER ASSEMBLY SEE FIG. 79-48 FOR COMPONENT PARTS		AR
- 4	5351145	• RESISTOR ASSEMBLY-1.5K 1/2W		2
- 5	94856	• LUG, TERMINAL		2
- 6	317017	• RESISTOR, FXD, COMP- 1.5K P/M 5% 1/2W		1
- 7	552994	• CLAMP-CAPACITOR		1
- 8	438588	• SCREW, MACH-UNDRCT BIND HD 8-32 X 1-1/4	ATT PT	1
- 9	5323537	• SEMICONDUCTOR DEVICE, DIO- 200V 6 AMP		4
- 10	483106	• CAPACITOR-CAN TYPE-ELECTROLYTIC 1500MFD		2
- 11	521829	• STRIP-BARRIER		1
- 12	322065	• SCREW, MACH-BIND HD 6-32 X 5/8 LG	ATT PT	4
- 13	56722	• WASHER, LOCK-EXT TEETH NO. 6	ATT PT	4
- 14	5351124	• STRIP, MARKER		1
- 15	5351116	• PIN, LOCATING		2
- 16	5351115	• INSULATOR-BUSHING		2
- 17	5351113	• SCREW-CAPTIVE BIND HD 10/32 X 1.0 LG	ATT PT	2
- 18	5351114	• BUSHING-CAP		2
- 19	5351112	• FRAME		1

FOR PARTS
NOT SHOWN
SEE FIG. 41
SHEET 4

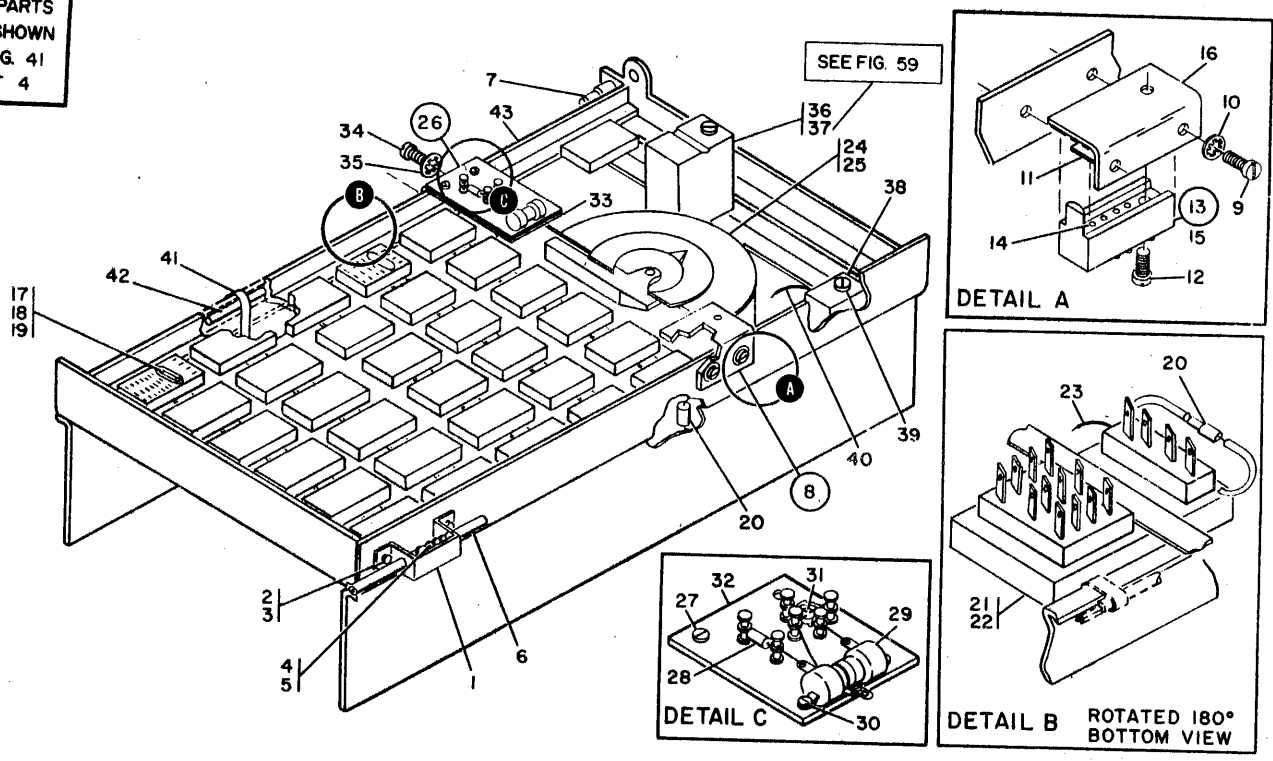


FIGURE 58. GATE RELAY ASSEMBLY. SEE LIST 58.
GATE RELAY ASSEMBLY

58 -	5364220	GATE RELAY ASSEMBLY	REF
		SEE FIG. 41-192 FOR NEXT HIGHER ASSEMBLY AND FIG. 58 FOR ILLUSTRATION	
- 1	520658	• GUIDE-LATCH PIN	
- 2	10170	• SCREW, MACH-BIND HD 6-32 X 1/4 LG	1
- 3	56722	• WASHER, LOCK-EXT TEETH NO. 6	2
- 4	528013	• STUD-LATCH	2
- 5	528012	• SPRING, HELICAL, COMPR	1
- 6	520657	• PIN-LATCH	1
- 7	760303	• CATCH-PULL	1
- 8	5364531	• TERMINAL BOARD ASSEMBLY	1
- 9	251970	• SCREW-MACH BD. HD. 4-40 X 1/4 LG	1
- 10	338169	• WASHER, LOCK-EXT TEETH NO. 4 X .260 OD	2
- 11	317766	• INSULATOR-TERMINAL BLOCK	2
- 12	438550	• SCREW, MACH-BIND HD 4-40 X 1/2 LG	1
- 13	317767	• TERMINAL BOARD ASM- 12 FEEDTHRU TERMINAL	1
- 14	302089	• SPRING-TERMINAL BOARD CONTACT	1
- 15	317768	• TERMINAL BOARD- 12 POSITION BLANK	4
- 16	5364529	• BRACKET, TERMINAL BOARD	1
- 17	5351139	• SOCKET, RELAY- 6 POSITION	1
- 18	438548	• SCREW, MACH-BIND HD 4-40 X 3/16 LG	15
- 19	5364197	• GROUND-RELAY	15
- 20	2111232	• SEMICONDUCTOR DEVICE, DIODE-TYPE AM	15
- 21	5318967	• SOCKET, 4 POSITION RELAY	18
- 22	438548	• SCREW, MACH-BIND HD 4-40 X 3/16 LG	16
- 23	5364197	• GROUND-RELAY	16
- 24	5214330	• SWITCH	16
- 25	81693	• SCREW, MACH-BIND HD 6-32 X 3/8 LG	1
- 26	5364511	• SENSE ASSEMBLY, POWER ON	2
- 27	251970	• SCREW-MACH BD. HD. 4-40 X 1/4 LG	1
- 28	335017	• RESISTOR, FIXED COMP 240 OHMS PM 5% 1W	2
- 29	5364515	• RESISTOR, PWR ADJ, WW- 2K P/M 10% 15W	1
- 30	38265	• SCREW, MACH-FIL H 4-40 X 7/16 LG	1
- 31	369652	• TRANSISTOR-PNP	2
- 32	5364513	• BOARD ASSEMBLY	1
- 33	5364514	• BRACKET	1
- 34	251970	• SCREW-MACH BD. HD. 4-40 X 1/4 LG	1
			2

FOR PARTS
NOT SHOWN
SEE FIG. 58

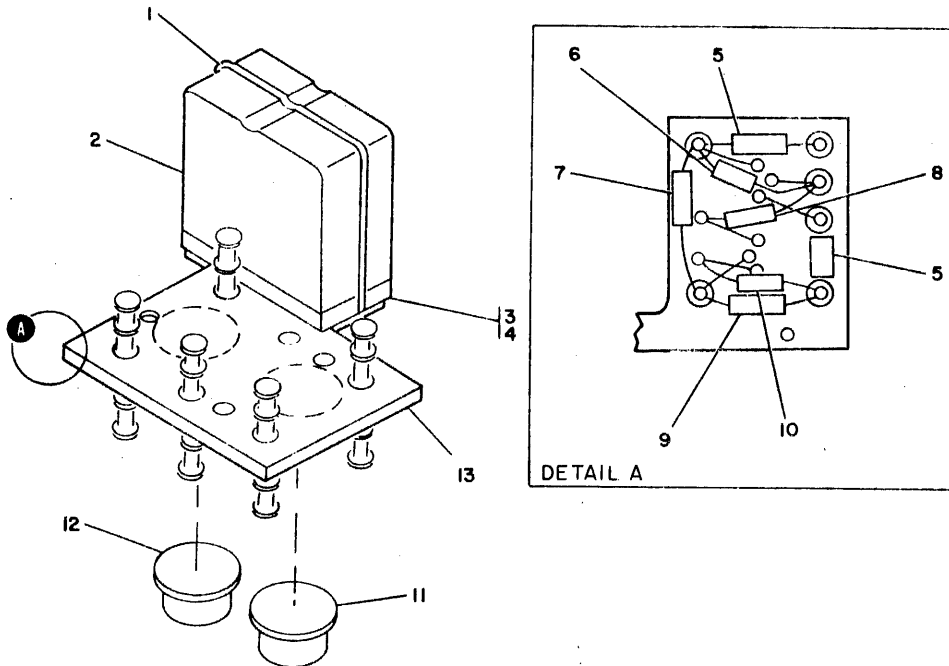


FIGURE 59. 5 SECOND TIME DELAY ASSEMBLY. SEE LIST 59.

LIST AND INDEX NUMBER	PART NUMBER	DESCRIPTION				UNITS PER ASM.	USABLE ON CODE
		1	2	3	4		
		5 SECOND TIME DELAY ASSEMBLY					
59 -	5276249	DELAY ASSEMBLY, TIME, 5 SECONDS SEE FIG. 58-39 FOR NEXT HIGHER ASSEMBLY AND FIG. 59 FOR ILLUSTRATION				REF	
- 1	5351163	• RETAINER-RELAY				1	
- 2	5351156	• RELAY, ARM-COIL 24V CONTY 30V 5 AMP 6PDT				1	
- 3	5351139	• SOCKET, RELAY- 6 POSITION				1	
- 4	438550	• SCREW, MACH-BIND HD 4-40 X 1/2 LG				1	ATT PT
- 5	211232	• DIODE				2	
- 6	217082	• RESISTOR, FXD, COMP- 820 OHMS P/M 5% 1/4W				1	
- 7	216492	• RESISTOR, FIXED-COMP 110K P/M 5% 1/4W				1	
- 8	216452	• RESISTOR, FXD CARB, 2K OHM, 1/4W, 5%				1	
- 9	222098	• CAPACITOR, FIXED, TANTALUM-100 UF 10V				1	
- 10	597977	• DIODE, SEMICONDUCTOR- 700 OHMS 8.8V TY DT				1	
- 11	369654	• TRANSISTOR-NPN				1	
- 12	369652	• TRANSISTOR-PNP				1	
- 13	5276250	• BOARD ASM				1	

FOR PARTS
NOT SHOWN
SEE FIG. 41
SHEET 4

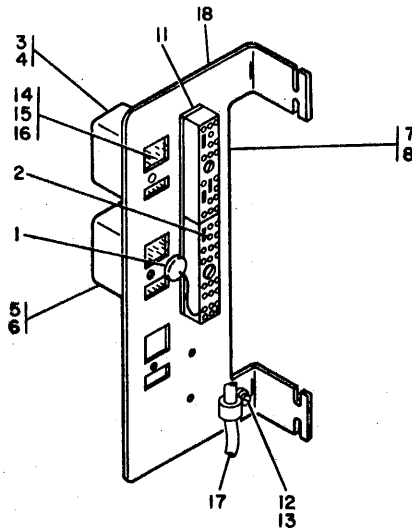


FIGURE 60. I/O INTERFACE ASSEMBLY. SEE LIST 60.

LIST AND INDEX NUMBER	PART NUMBER	DESCRIPTION				UNITS PER ASM.	USABLE ON CODE
		1	2	3	4		
		I/O INTERFACE ASSEMBLY					
60 -	5366746	INTERFACE ASSEMBLY, I/O SEE FIG. 41-196 FOR NEXT HIGHER ASSEMBLY AND FIG. 60 FOR ILLUSTRATION				REF	
- 1	2100878	• RESISTOR, FXD, WW- 1K P/M 5% 5W				1	
- 2	205329	• JUMPER-BRASS, 3/16				4	
- 3	5364161	• RELAY-4PDT 5AMP 18VDC				1	
- 4	5318966	• RETAINER-RELAY				1	
- 5	5318968	• RELAY, ARM-COIL 24V CONT 30V 5 AMP 4PDT				1	
- 6	5318966	• RETAINER-RELAY				1	
- 7	302090	• CONNECTOR, RECP, ELEC- 24 FEMALE CONTACTS				2	
- 8	38266	• SCREW, MACH-FIL H 4-40 X 1/2 LG ATT PT				2	
- 11	302131	• INSULATOR, TERMINAL BLOCK				2	
- 12	533289	• CLAMP, CABLE				1	
- 13	10170	• SCREW, MACH-BIND HD 6-32 X 1/4 LG ATT PT				1	
- 14	5318967	• SOCKET, 4 POSITION RELAY				2	
- 15	438548	• SCREW, MACH-BIND HD 4-40 X 3/16 LG ATT PT				2	
- 16	5364197	• GROUND-RELAY				2	
- 17	5366748	• CABLE ASSEMBLY				AR	
		SEE FIG. 79-28, -64A, -109 AND -110 FOR COMPONENT PARTS					
- 18	5366745	• BRACKET, RELAY				1	

FOR PARTS
NOT SHOWN
SEE FIG. 41
SHEET 4

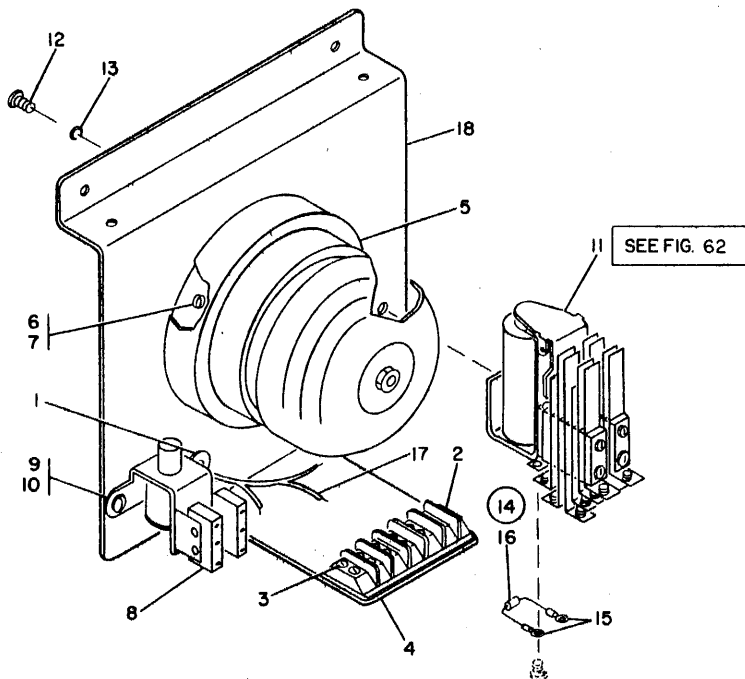


FIGURE 61. BELL ASSEMBLY. SEE LIST 61.

LIST AND INDEX NUMBER	PART NUMBER	DESCRIPTION				UNITS PER ASM.	USABLE ON CODE
		1	2	3	4		
		BELL ASSEMBLY					
61 -	5364160	BELL ASM				REF	
		SEE FIG. 41-202 FOR NEXT HIGHER ASSEMBLY AND FIG. 61 FOR ILLUSTRATION					
- 1	317138	• GROMMET, RUB-FOR 7/16 HOLE X 1/8 PNL				1	
- 2	317310	• TERMINAL BOARD- 5 DBL SCREW TERMINALS				1	
- 3	81693	• SCREW, MACH-BIND HD 6-32 X 3/8 LG				4	ATT PT
- 4	740554	• STRIP-MARKER, 5 POSITION				1	
- 5	5276380	• BELL, ALARM				1	
- 6	58207	• SCREW, MACH-UNDRCT BIND HD 8-32 X 1/4 LG				3	ATT PT
- 7	55901	• WASHER, LOCK-EXT TEETH NO. 8 X 0.381 OD				3	ATT PT
- 8	5327723	• RELAY, ARMATURE-DPDT TIME DELAY				1	
- 9	58207	• SCREW, MACH-UNDRCT BIND HD 8-32 X 1/4 LG				2	ATT PT
- 10	55901	• WASHER, LOCK-EXT TEETH NO. 8 X 0.381 OD				2	ATT PT
- 11	124843	• 40V DUO RELAY ASSEMBLY				1	
		SEE FIG. 62 FOR DETAIL BREAKDOWN					
- 12	58207	• SCREW, MACH-UNDRCT BIND HD 8-32 X 1/4 LG				2	ATT PT
- 13	55901	• WASHER, LOCK-EXT TEETH NO. 8 X 0.381 OD				2	ATT PT
- 14	5270652	• DIODE ASM				1	
- 15	334921	• TERMINAL-RING, 18-22 AWG, #6 HOLE, INS				2	
- 16	2111232	• SEMICONDUCTOR DEVICE, DIODE-TYPE AM				1	
- 17	5364234	• CABLE ASSEMBLY-BELL				AR	
		SEE FIG. 79-28,-42,-42C AND -58					
		FOR COMPONENT PARTS					
- 18	5364188	• BRACKET-BELL MTG				1	

FOR PARTS
NOT SHOWN
SEE FIG. 75

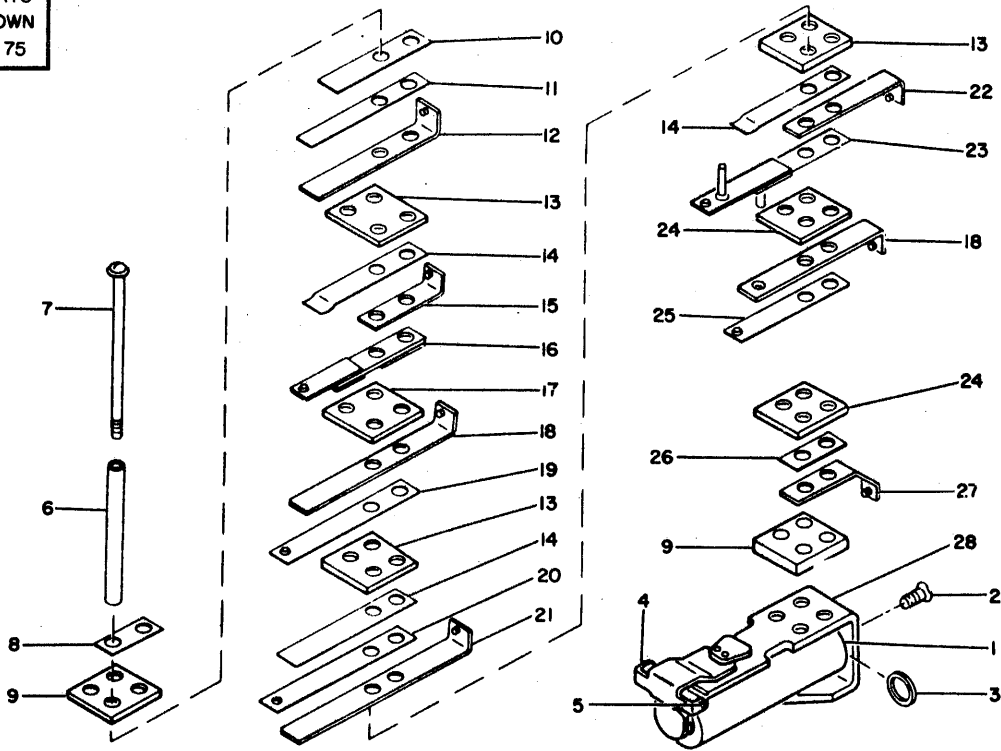


FIGURE 62. RELAY ASSEMBLY. SEE LIST 62.

		RELAY ASSEMBLY	
62 -	124843	40V DUO RELAY ASSEMBLY	REF
		SEE FIG. 61-11 FOR NEXT HIGHER ASSEMBLY AND FIG. 62 FOR ILLUSTRATION	
- 1	154350	• COIL AND TERMINAL ASSEMBLY	1
- 2	19587	• SCREW, MACH-FL CSK HD 8-32 X 3/8 LG	ATT PT 1
- 3	115552	• WASHER-COIL MOUNTING	ATT PT 1
- 4	107177	• ARMATURE ASSEMBLY-MAGNET	1
- 5	165594	• PIVOT-ARMATURE	ATT PT 1
- 6	122311	• INSULATOR-SCR 0.128 ID 0.186 OD 1-9/32LG	2
- 7	173218	• SCREW, MACH-RD WASHER HD 5-40 X 1-15/32	ATT PT 2
- 8	121011	• PLATE-DUO RELAY TOP	2
- 9	120942	• INSULATOR-DUO RELAY	2
- 10	105826	• SPRING-STIFFENER	2
- 11	105832	• SPRING ASSEMBLY-UPPER CONTACT	2
- 12	189844	• TERMINAL ASSEMBLY-CONTACT	2
- 13	120924	• INSULATOR-DUO RELAY	3
- 14	125872	• SPRING-STIFFENER	6
- 15	141964	• TERMINAL ASSEMBLY-CONTACT	2
- 16	141977	• SPRING ASSEMBLY-OPERATING CONTACT	2
- 17	120925	• INSULATOR-DUO RELAY	1
- 18	141967	• TERMINAL ASSEMBLY-CONTACT	4
- 19	125877	• SPRING ASSEMBLY-CONTACT	2
- 20	120837	• SPRING ASSEMBLY-UPPER CONTACT	2
- 21	141971	• TERMINAL ASSEMBLY-CONTACT	2
- 22	141969	• TERMINAL ASSEMBLY-CONTACT	2
- 23	141981	• SPRING ASSEMBLY-OPERATING CONTACT	2
- 24	120926	• INSULATOR-DUO RELAY	2
- 25	121839	• SPRING ASSEMBLY-CONTACT	2
- 26	156909	• SPACER- 1 LG X 3/8 W X 1/16 THK	2
- 27	105835	• TERMINAL ASSEMBLY-CONTACT	2
- 28	165595	• YOKE ASSEMBLY MAGNET	1

FOR PARTS
NOT SHOWN
SEE FIG. 41
SHEET 4

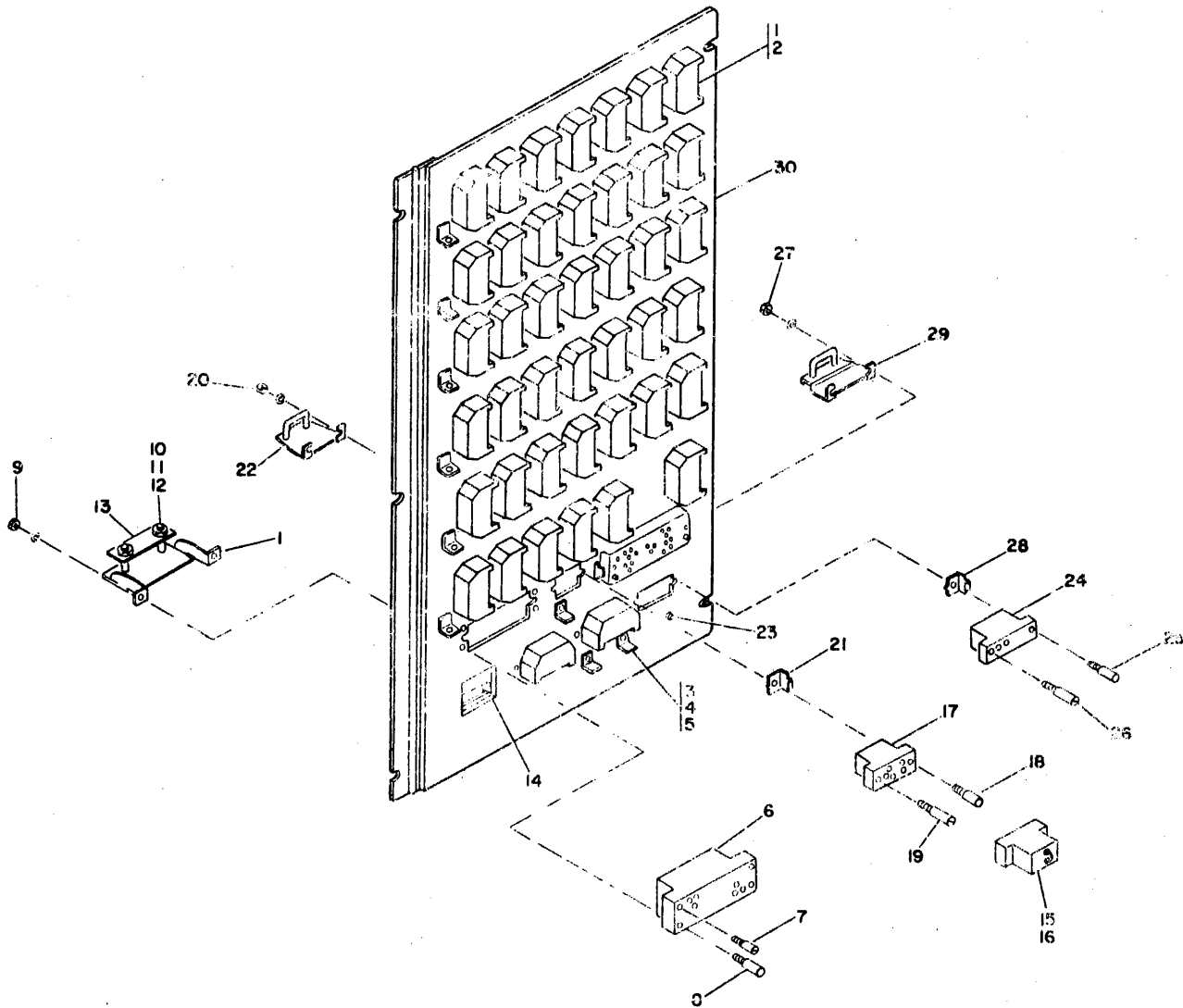


FIGURE 63. CONNECTOR PANEL ASSEMBLY. SEE LIST 63.

LIST AND INDEX NUMBER	PART NUMBER	DESCRIPTION	UNITS PER ASM.	USABLE ON CODE
		1 2 3 4		
		CONNECTOR PANEL ASSEMBLY		
63 -	5364150	CONNECTOR PANEL ASM SEE FIG. 41-234 FOR NEXT HIGHER ASSEMBLY AND FIG. 63 FOR ILLUSTRATION	REF	
- 1	523269	• CONNECTOR-ELECT 6 POS INSERT	43	
- 2	251970	• SCREW-MACH BD. HD. 4-40 X 1/4 LG ATT PT	86	
- 3	5271288	• TERMINAL, FIXED TAB	44	
- 4	438548	• SCREW, MACH-BIND HD 4-40 X 3/16 LG ATT PT	44	
- 5	338169	• WASHER, LOCK-EXT TEETH NO. 4 X .260 OD ATT PT	44	
- 6	2122472	• CONNECTOR, 50 PLACE FEMALE	2	
- 7	2123029	• JACKSCREW-STUD, FIXED ATT PT	2	
- 8	2123028	• JACK SCREW, SOCKET, FIXED ATT PT	2	
- 9	37913	• NUT-HEX 4-40 X .250 ID ATT PT	2	
- 10	38266	• SCREW, MACH-FIL H 4-40 X 1/2 LG	4	
- 11	338169	• WASHER, LOCK-EXT TEETH NO. 4 X .260 OD	4	
- 12	2114985	• NUT, SELF LKG HEX 4-40 X .062 THK	4	
- 13	2123034	• CLAMP, CABLE 50 PLACE	2	
- 14	725557	• CONNECTOR, PLUG- 3 CIRCUIT	1	
- 15	2122215	• BLOCK, MALE- 14 POSITIONS	1	
- 16	2122258	• PIN-CONTACT, MALE 20/22 AWG	2	
- 17	2122214	• BLOCK, FEMALE- 14 POSITIONS	1	
- 18	2122202	• SOCKET-GUIDE ATT PT	2	
- 19	2122203	• PIN, GUIDE, BRASS, /SUPPLIED W/HARDWARE/ ATT PT	2	
- 20	37913	• NUT-HEX 4-40 X .250 ID	2	
- 21	2127985	• CATCH, LOCKING SPRING- 14 AND 20 POS CONN	2	
- 22	2127853	• CLAMP, STRAIN RELIEF- 14 POSITIONS	1	
- 23	10170	• SCREW, MACH-BIND HD 6-32 X 1/4 LG	1	
- 24	2122254	• BLOCK, FEMALE- 20 POSITIONS	1	
- 25	2122202	• SOCKET-GUIDE ATT PT	1	
- 26	2122203	• PIN, GUIDE, BRASS, /SUPPLIED W/HARDWARE/ ATT PT	1	
- 27	37913	• NUT-HEX 4-40 X .250 ID ATT PT	2	
- 28	2127985	• CATCH, LOCKING SPRING- 14 AND 20 POS CONN	2	
- 29	2123032	• CLAMP, STRAIN RELIEF- 20 POSITIONS	1	
- 30	5364178	• PANEL-CONNECTOR	1	

FOR PARTS
NOT SHOWN
SEE FIG. 41
SHEET 4

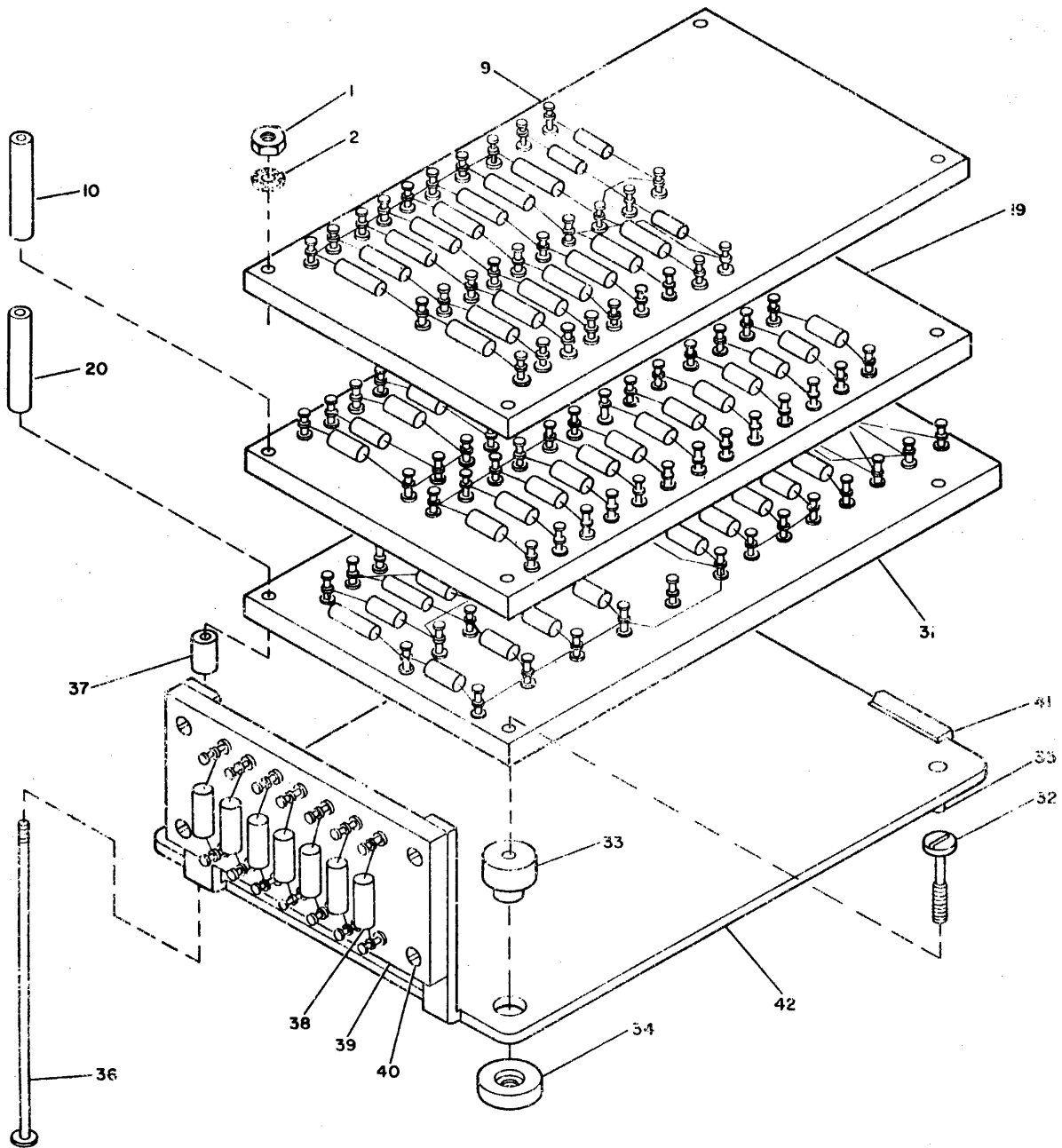


FIGURE 64. VOLTAGE SENSE ASSEMBLY. SHEET 1 OF 2. SEE LIST 64.

FOR PARTS
NOT SHOWN
SEE FIG. 41
SHEET 4

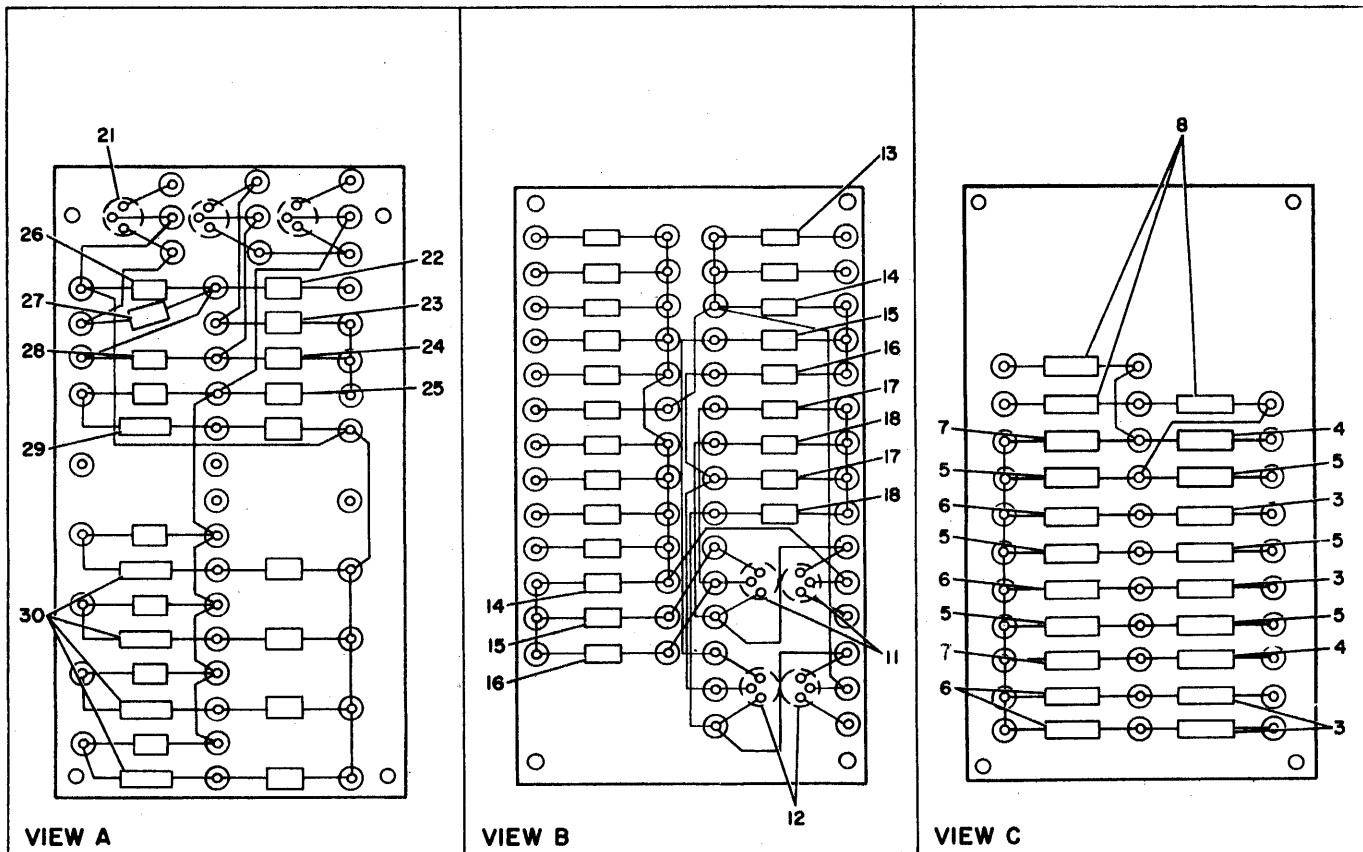
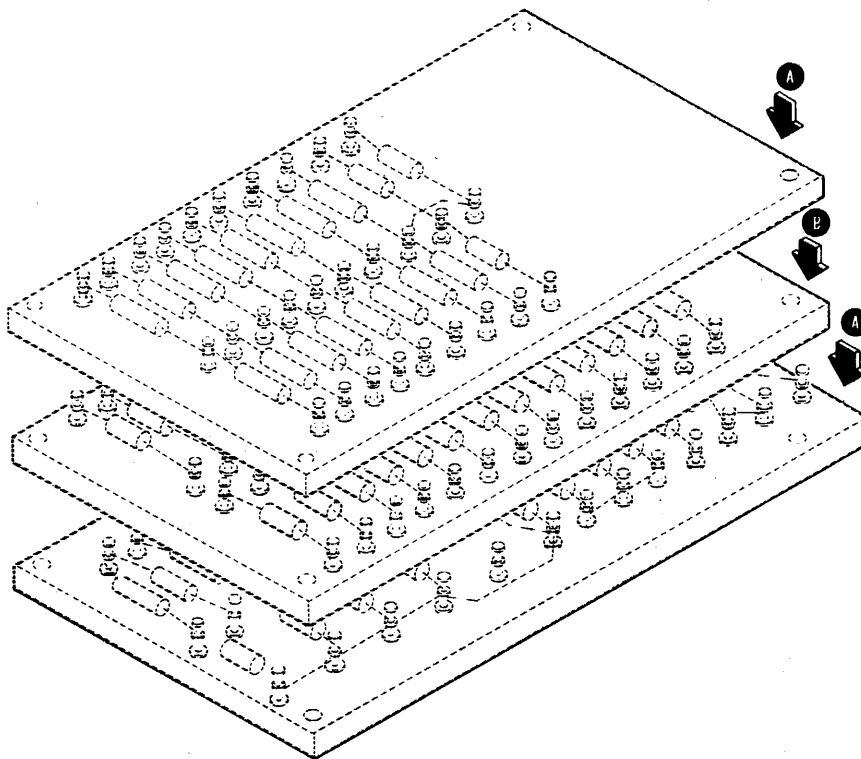


FIGURE 64. VOLTAGE SENSE ASSEMBLY. SHEET 2 OF 2. SEE LIST 64.

LIST AND INDEX NUMBER	PART NUMBER	DESCRIPTION	UNITS PER ASM.	USABLE ON CODE
		VOLTAGE SENSE ASSEMBLY		
64 -	5364230	VOLTAGE SENSE ASSEMBLY SEE FIG. 41-240 FOR NEXT HIGHER ASSEMBLY AND FIG. 64 FOR ILLUSTRATION	REF	
- 1	257187	• NUT,PLAIN,HEX- 6-32 X 3/8 FL W	4	
- 2	56722	• WASHER,LOCK-EXT TEETH NO. 6	4	
- 3	317006	• RESISTOR,FXD,COMP- 200 OHMS P/M 5% 1/2W	4	
- 4	440514	• RESISTOR,FXD WW 150 OHM P/M 5 PCT 5W	2	
- 5	492584	• RESISTOR,FXD,WW- 100 OHMS P/M 1% 2W	6	
- 6	317004	• RESISTOR,FXD,CARBON- 120 OHMS 1/2W	4	
- 7	316144	• RESISTOR,FXD,WW- 50 OHMS P/M 1% 5W	2	
- 8	2111232	• SEMICONDUCTOR DEVICE,DIODE-TYPE AM	3	
- 9	5364272	• TERMINAL BOARD ASSEMBLY	1	
- 10	190822	• SPACER,NO. 4-DOUBLE CARD GUIDE	4	
- 11	369654	• TRANSISTOR-NPN	2	
- 12	369652	• TRANSISTOR-PNP	2	
- 13	2111232	• SEMICONDUCTOR DEVICE,DIODE-TYPE AM	12	
- 14	300721	• RESISTOR,FXD,COMP- 10K P/M 5% 1/2W	2	
- 15	317010	• RESISTOR,FXD,COMP- 430 OHMS P/M 5% 1/2W	2	
- 16	317001	• RESISTOR,FXD,COMP-1.1K P/M 5 PCT 1/2W	2	
- 17	2414815	• SEMICONDUCTOR DEVICE,DIODE	2	
- 18	317003	• RESISTOR,FXD,COMP- 47 OHMS P/M 5% 1/2W	2	
- 19	5364227	• TERMINAL BOARD ASSEMBLY	1	
- 20	190822	• SPACER,NO. 4-DOUBLE CARD GUIDE	4	
- 21	369654	• TRANSISTOR-NPN	3	
- 22	317003	• RESISTOR,FXD,COMP- 47 OHMS P/M 5% 1/2W	1	
- 23	317010	• RESISTOR,FXD,COMP- 430 OHMS P/M 5% 1/2W	1	
- 24	317016	• RESISTOR,FXD,COMP- 820 OHMS P/M 5% 1/2W	1	
- 25	300721	• RESISTOR,FXD,COMP- 10K P/M 5% 1/2W	1	
- 26	317004	• RESISTOR,FXD,CARBON- 120 OHMS 1/2W	1	
- 27	2111232	• SEMICONDUCTOR DEVICE,DIODE-TYPE AM	11	
- 28	369611	• DIODE,SEMICONDUCTOR-ZENER,TYPE DY	1	
- 29	320661	• RESISTOR,FXD,COMP- 3K P/M 5% 1W	1	
- 30	317057	• RESISTOR,FXD,COMP- 4.7K P/M 5% 1W	4	
- 31	5364228	• TERMINAL BOARD ASSEMBLY	1	
- 32	5351113	• SCREW-CAPTIVE BIND HD 10/32 X 1.0 LG	2	
- 33	5351114	• BUSHING-CAP	2	
- 34	5351115	• INSULATOR-BUSHING	2	
- 35	5351116	• PIN,LOCATING	2	
- 36	5312633	• SCREW,MACH BH 6-32 X 4 IN.LG	4	
- 37	225815	• ROLLER-RIBBON DRIVE	4	
- 38	334928	• RESISTOR,FXD,COMP- 1300 OHMS P/M 5% 1W	7	
- 39	5364229	• TERMINAL BOARD ASSEMBLY	1	
- 40	81693	• SCREW,MACH-BIND HD 6-32 X 3/8 LG	4	ATT PT
- 41	5213226	• CONNECTOR,MALE	6	
- 42	5364221	• BRACKET,VOLTAGE SENSE MOUNTING	1	

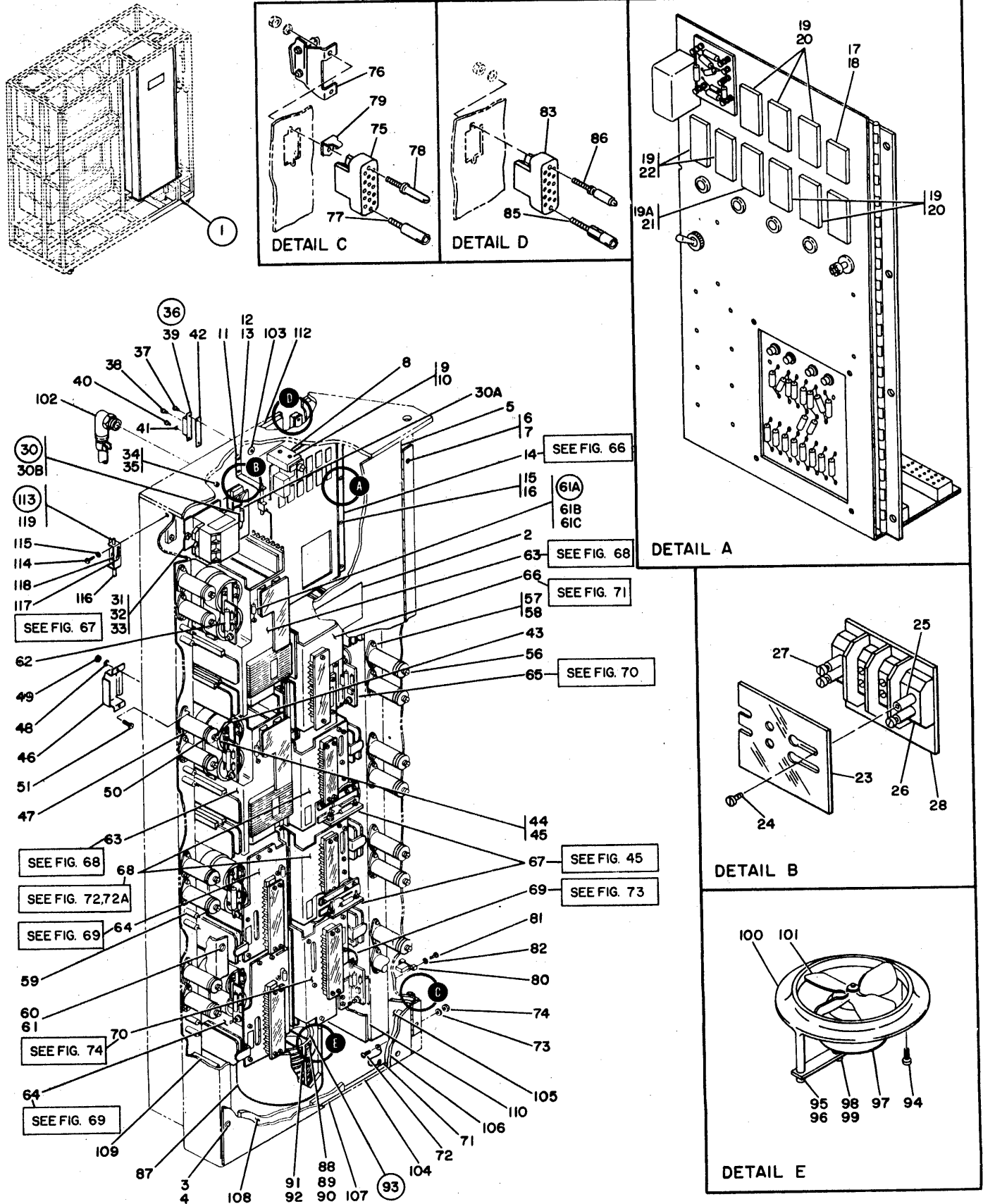


FIGURE 65. FRAME 04, 512K FINAL ASSEMBLY. SHEET 1 OF 2. INDEX NOS. 1-119. SEE LIST 65.

LIST AND INDEX NUMBER	PART NUMBER	DESCRIPTION	UNITS PER ASM.	USABLE ON CODE
		1 2 3 4		
		FRAME 04 512K FINAL ASSEMBLY		
		CODE 1 USED ON ASM PRIOR TO N9 SUFFIX CODE 2 USED ON ASM FROM N9 TO CURRENT		
65 -	5365240 NP	FRAME 04 512K FINAL ASSEMBLY SEE FIG. 65 FOR ILLUSTRATION		
- 1	5474710	• FINAL ASSEMBLY	1	
- 2	369208	• • DECAL, INST-HAZARDOUS AREA	1	
- 3	5271226	• • STUD-CAMLOC	4	
- 4	808361	• • WASHER SELF-LOCKING 300 ID ATT PT	4	
- 5	5474666	• • COVER	1	
- 6	28413	• • SCREW, MACH-BIND HD 10-32 X 5/16 LG ATT PT	5	
- 7	9092	• • WASHER-LOCK, SPLIT RING, .194 ID .3370D ATT PT	5	
- 8	5257518	• • THERMOSWITCH	1	
- 9	251970	• • SCREW-MACH BD. HD. 4-40 X 1/4 LG ATT PT	2	
- 10	257984	• • WASHER, LOCK-SPLIT 1/8 ID X 13/64 OD ATT PT	4	
- 11	5474668	• • BRACKET, LATCH	1	
- 12	186759	• • SCREW, MACH-BIND HD 8-32 X 5/16 LG ATT PT	2	
- 13	1090873	• • WASHER, LOCK, SPLIT RING- .168 ID, .296 OD ATT PT	2	
- 14	5474664	• • PANEL ASSEMBLY, RELAY SEE FIG. 66 FOR DETAIL BREAKDOWN	1	
- 15	186759	• • SCREW, MACH-BIND HD 8-32 X 5/16 LG ATT PT	4	
- 16	1090873	• • WASHER, LOCK, SPLIT RING- .168 ID, .296 OD ATT PT	4	
- 17	5318966	• • RETAINER-RELAY	1	
- 18	5213415	• • RELAY, ARM-COIL 3V CONT 30V 5 AMP 4PDT	1	
- 19	5351163	• • RETAINER-RELAY	8	
- 19A	5364198	• • RETAINER-RELAY	1	
- 20	5351156	• • RELAY, ARM-COIL 24V CONT 30V 5 AMP 6PDT	5	
- 21	5364164	• • RELAY, ARMATURE- 6V DC ENCLOSED	1	
- 22	5276325	• • RELAY, ENCLOSED, 18VDC	2	
- 23	187467	• • SHIELD, 2 POSITION	1	
- 24	210984	• • SCREW, RD HD MACH-6-32 X .250 LG ATT PT	1	
- 25	210883	• • STUD-SHIELD MTG, TAPPED, NO. 6-32 ATT PT	1	
- 26	323840	• • TERMINAL BOARD- 2 DBL SCREW TERMINALS	1	
- 27	210884	• • STUD-SHIELD MTG, NO. 6-32 ATT PT	3	
- 28	2101380	• • MARKER STRIP- 2 POS NOS. 1 AND 2	1	
- 30	5270652	• • DIODE ASM	1	
- 30A	334921	• • TERMINAL-RING, 18-22 AWG, #6 HOLE, INS	2	
- 30B	2111232	• • SEMICONDUCTOR DEVICE, DIODE-TYPE AM	1	
- 31	5276703	• • RELAY-24 VDC COIL	1	
- 32	58207	• • SCREW, MACH-UNDRCT BIND HD 8-32 X 1/4 LG ATT PT	2	
- 33	55901	• • WASHER, LOCK-EXT TEETH NO. 8 X 0.381 OD ATT PT	2	
- 34	58207	• • SCREW, MACH-UNDRCT BIND HD 8-32 X 1/4 LG	1	
- 35	1090873	• • WASHER, LOCK, SPLIT RING- .168 ID, .296 OD	1	
- 36	596468	• • BAR ASM-DC RETURN	1	
- 37	34512	• • SCREW, BIND, HD 8-32 X .375 LG ATT PT	2	
- 38	10170	• • SCREW, MACH-BIND HD 6-32 X 1/4 LG	4	
- 39	596469	• • BUS BAR- 4 POS 3/8 W X 1/8 H X 2-5/8 LG	1	
- 40	38351	• • SCREW, MACH-FIL HD 6-32 X .312 LG ATT PT	2	
- 41	56722	• • WASHER, LOCK-EXT TEETH NO. 6 ATT PT	2	
- 42	596467	• • INSULATOR	1	
- 43	5758605	• • JUMPER ASSEMBLY	16	
- 44	32042	SEE FIG. 79-46 FOR COMPONENT PARTS		
- 45	56079	• • SCREW, MACH BIND. HD 10-32 X 3/8 LG.	32	
- 46	5276892	• • WASHER, LOCK-EXT T .195 ID .410 OD	32	
- 47	322550	• • SHIELD-CAPACITOR	4	
- 48	56722	• • SCREW ATT PT	8	
- 49	257187	• • WASHER, LOCK-EXT TEETH NO. 6 ATT PT	16	
- 50	5364225	• • NUT, PLAIN, HEX- 6-32 X 3/8 FL W ATT PT	8	
- 51	10170	• • CAPACITOR, FIXED, MYLAR-0.5 UF 100V	8	
- 52	10170	• • SCREW, MACH-BIND HD 6-32 X 1/4 LG ATT PT	8	
- 53	5364225	• • CAPACITOR, FIXED, MYLAR-0.5 UF 100V	8	
- 54	10170	• • SCREW, MACH-BIND HD 6-32 X 1/4 LG ATT PT	16	
- 55	56722	• • WASHER, LOCK-EXT TEETH NO. 6 ATT PT	16	
- 56	5213431	• • CAPACITOR, FIXED-FEED THRU 0.47 UF 100V	8	
- 57	808360	• • FASTENER	4	
- 58	179743	• • NUT, PLAIN, HEX- 15/32-32 X 9/16 FL W ATT PT	4	
- 59	5364691	• • CAPACITOR ASSEMBLY	4	
- 60	334921	• • TERMINAL-RING, 18-22 AWG, NO. 6 HOLE, INS	2	
- 61	491319	• • CAPACITOR - 4700 MFD 100V	1	
- 62	5708934	• • REMOTE O/V-O/C ASSEMBLY	4	
- 63	5712180	SEE FIG. 67 FOR DETAIL BREAKDOWN • • POWER SUPPLY ASSEMBLY, 60 VDC AT 8 AMPS	2	
- 64	5712480	SEE FIG. 68 FOR DETAIL BREAKDOWN • • MAGNETIC AMPLIFIER ASSEMBLY, 56V AT 4 AMP	2	

LIST AND INDEX NUMBER	PART NUMBER	DESCRIPTION				UNITS PER ASM.	USABLE ON CODE
		1	2	3	4		
65 - 65	5708932	SEE FIG. 69 FOR DETAIL BREAKDOWN .. REMOTE O/V-O/C ASSEMBLY				1	
- 66	5712100	SEE FIG. 70 FOR DETAIL BREAKDOWN .. POWER SUPPLY ASSEMBLY, 18 VDC AT 11 AMP SEE FIG. 71 FOR DETAIL BREAKDOWN				1	
- 67	5708902	.. REMOTE O/V-O/C ASM SEE FIG. 45 FOR DETAIL BREAKDOWN				2	
- 68	5712020	.. MAGNETIC AMPLIFIER ASSEMBLY- 3V AT 40A SEE FIG. 72 FOR DETAIL BREAKDOWN				2	1
- 68	5712020	.. MAGNETIC AMPLIFIER ASSEMBLY - 3V AT 40A SEE FIG. 72A FOR DETAIL BREAKDOWN				2	2
- 69	5708904	.. REMOTE O/V-O/C ASM SEE FIG. 73 FOR DETAIL BREAKDOWN				1	
- 70	5712140	.. MAGNETIC AMPLIFIER ASSEMBLY- 6V AT 40A SEE FIG. 74 FOR DETAIL BREAKDOWN				1	
- 71	5210704	.. JUMPER ASSEMBLY SEE FIG. 79-49 FOR COMPONENT PARTS				1	
- 72	34512	.. SCREW,BIND.HD 8-32 X .375 LG ATT PT				2	
- 73	55901	.. WASHER,LOCK-EXT TEETH NO. 8 X 0.381 OD ATT PT				2	
- 74	257189	.. NUT,HEX- 8-32 ATT PT				2	
- 75	2122837	.. CONNECTOR,PLUG,ELECTRICAL,FEMALE				1	
- 76	2122839	.. CLAMP-STRAIN RELIEF				1	
- 77	2122202	.. SOCKET-GUIDE				1	
- 78	2122203	.. PIN,GUIDE,BRASS,/SUPPLIED W/HARDWARE/				1	
- 79	2127987	.. CATCH,LOCK SPG-26 POS CONNECTOR				2	
- 80	5353853	.. HOUSING				1	
- 81	322550	.. SCREW ATT PT				2	
- 82	6364	.. WASHER,LOCK-SPLIT NO. 6 X 1/4 OD ATT PT				2	
- 83	2122257	.. CONNECTOR,PLUG,ELEC-34 MALE CONTACTS				1	
- 84	2123033	.. CLAMP-STRAIN RELIEF				1	
- 85	2123028	.. JACK SCREW,SOCKET,FIXED				1	
- 86	2123029	.. JACKSCREW-STUD,FIXED				1	
- 87	5783222	.. FILTER,AIR				1	
- 88	5357059	.. GUARD TOP				1	
- 89	55918	.. SCREW, MACH BIND. HD 10-32 X 5/8 LG. ATT PT				2	
- 90	9092	.. WASHER-LOCK,SPLIT RING, .194 ID .337OD ATT PT				2	
- 91	5357060	.. GUARD 5 IN FAN				1	
- 92	83606	.. SCREW,THD CTG-BIND HD 10-32 X 5/16 LG ATT PT				2	
- 93	5357050	.. FAN ASM- 208/230V 60 HZ				1	
- 94	5357068	.. BRACKET-MOTOR MTG				1	
- 95	120211	.. SCREW,MACH-HEX HD 10-32 X 1/2 LG ATT PT				2	
- 96	56079	.. WASHER,LOCK-EXT T .195 ID .410 OD ATT PT				2	
- 97	5357067	.. MOTOR 208V/230V 60HZ 220V 50HZ				1	
- 98	130434	.. SCREW-MACH,SLOTTED HEX HD NO.10-32 X.375 ATT PT				2	
- 99	56079	.. WASHER,LOCK-EXT T .195 ID .410 OD ATT PT				2	
-100	5357069	.. ORIFICE-FAN				1	
-101	5357066	.. BLADE				1	
-102	61486	.. CONNECTOR-ELBOW				1	
-103	123070	.. GROMMET-RUBBER				2	
-104	5474673	.. INSULATION				2	
-105	5474675	.. INSULATION				1	
-106	5474676	.. INSULATION				1	
-107	5474678	.. INSULATION				1	
-108	5474677	.. INSULATION				1	
-109	5474674	.. INSULATION				1	
-110	5474696	.. INSULATION				2	
-112	5474671	.. INSULATION				1	
-113	760447	.. LATCH ASSEMBLY				1	
-114	186759	.. SCREW,MACH-BIND HD 8-32 X 5/16 LG ATT PT				2	
-115	1090873	.. WASHER,LOCK,SPLIT RING- .168 ID, .296 OD ATT PT				2	
-116	204499	.. PIN-LATCH RELAY GATE 3/8 DIA X 3-3/8 LG				1	
-117	610052	.. STUD-REL-GATE LATCH				1	
-118	220856	.. SPRING,HELICAL,COMPR- 9 TURNS				1	
-119	760446	.. BRACKET,LATCH				1	

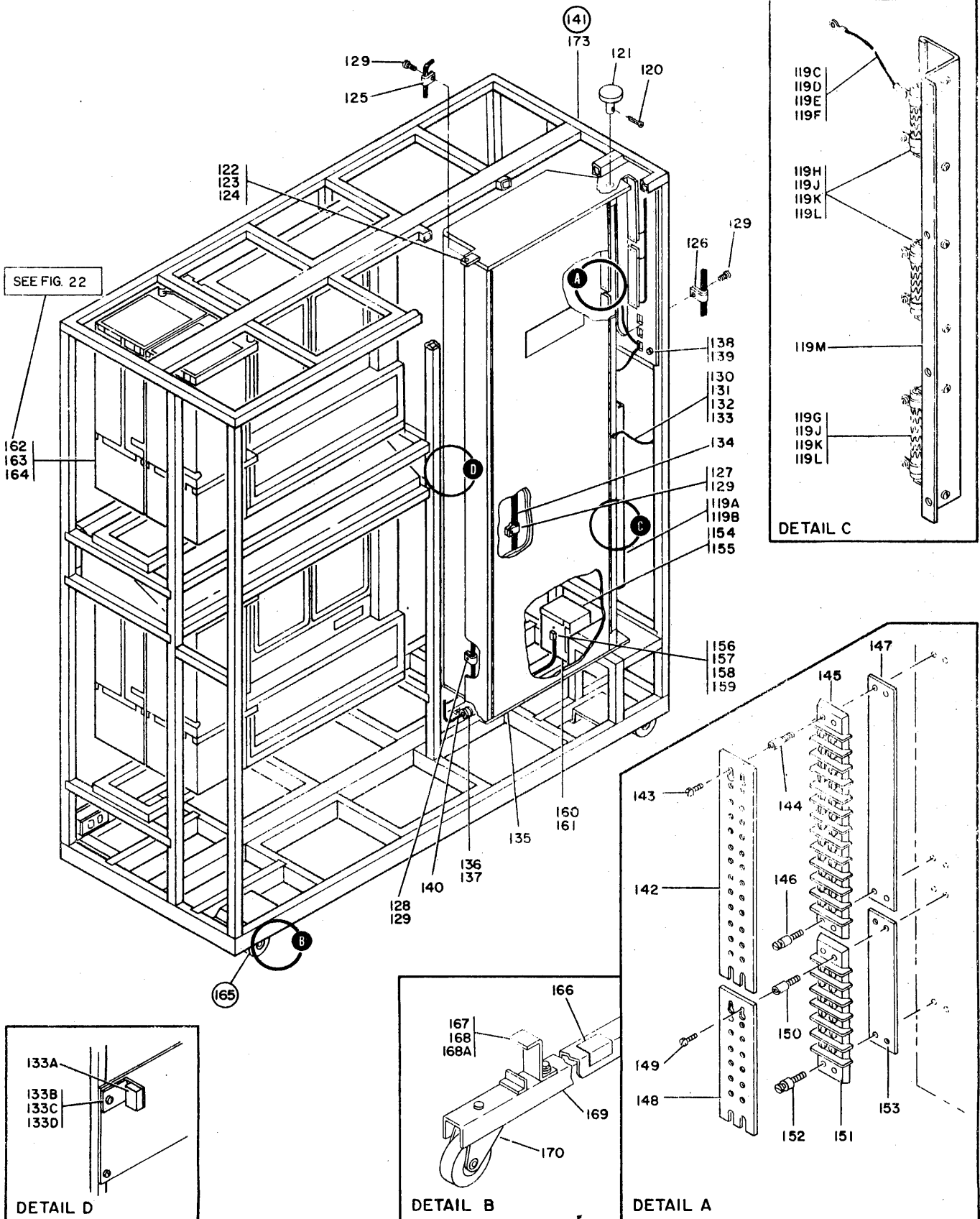
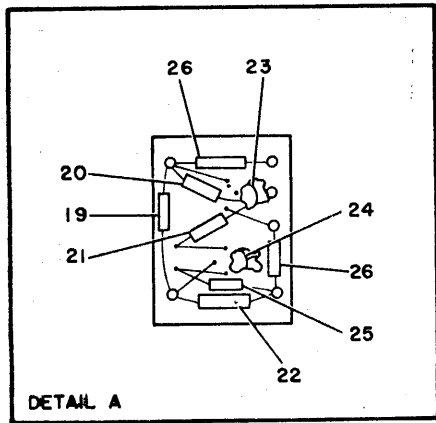


FIGURE 65. FRAME 04, 512K FINAL ASSEMBLY. SHEET 2 OF 2. INDEX NOS. 119A-173. SEE LIST 65.

LIST AND INDEX NUMBER	PART NUMBER	DESCRIPTION	UNITS	USABLE
			PER ASM.	ON CODE
65 -119A	5477952	. . RESISTOR ASSEMBLY	1	
-119B	236849	. . SCREW,MACH-BIND HD 10-32 X 0.250 LG ATT PT	4	
-119C	5477953	. . . JUMPER ASSEMBLY SEE FIG. 79-48 AND -49 FOR COMPONENT PARTS	6	
-119D	42003	. . . SCREW,MACH-TRUSS HD 8-32 X 1/4 LG ATT PT	6	
-119E	60646	. . . WASHER,LOCK-INT TEETH NO. 8 ATT PT	6	
-119F	257189	. . . NUT,HEX- 8-32 ATT PT	6	
-119G	5477946	. . . RESISTOR,FIXED-WW 0.6 OHMS P/M 10% 110W	1	
-119H	5477945	. . . RESISTOR,FIXED-WW 0.3 OHMS P/M 10% 75W	2	
-119J	34512	. . . SCREW,MACH-BIND HD 8-32 X 0.375 LG ATT PT	6	
-119K	60646	. . . WASHER,LOCK-INT TEETH NO. 8 ATT PT	6	
-119L	257189	. . . NUT,HEX- 8-32 ATT PT	6	
-119M	5477947	. . . SHIELD,HEAT	1	
-120	5474667	. . . PIN,HINGE	2	
-121	37989	. . . PIN,COTTER	2	
-122	5474669	. . . BRACKET	1	
-123	32617	. . . SCREW,MACH-BIND HD 10-32 X 0.438 LG ATT PT	3	
-124	56079	. . . WASHER,LOCK-EXT T .195 ID .410 OD ATT PT	3	
-125	357433	. . . CLAMP,LOOP- 0.187 ID 0.203 DIA MTG HOLE	5	
-126	216885	. . . CLAMP-ADJUSTABLE	1	
-127	2102365	. . . CLAMP,LOOP- 0.330 ID 0.170 DIA MTG HOLE	1	
-128	327922	. . . CLAMP, CABLE-.625 DIAMETER	1	
-129	34512	. . . SCREW,BIND.HD 8-32 X .375 LG ATT PT	8	
-130	5820580	. . . JUMPER ASM SEE FIG. 79-42E FOR COMPONENT PART	1	
-131	25627	. . . SCREW,MACH-BIND HD 8-32 X 1/2 LG ATT PT	1	
-132	55901	. . . WASHER,LOCK-EXT TEETH NO. 8 X 0.381 OD ATT PT	1	
-133	56079	. . . WASHER,LOCK-EXT T 0.195 ID X 0.410 OD ATT PT	1	
-134	5474690	. . . CABLE ASSEMBLY-HI FREQ. INPUT SEE FIG. 79-18,-28,-42B,-132 AND -133 FOR COMPONENT PARTS	AR	
-134	5474691	. . . CABLE ASSEMBLY-MARGINAL CHECK SEE FIG. 79-14,-20,-28,-28M,-35 AND -42C FOR COMPONENT PARTS	AR	
-134	5474692	. . . CABLE ASSEMBLY-DC DISTRIBUTION TO MEMORY SEE FIG. 79-7,-8,-28,-28M,-42A AND -42E FOR COMPONENT PARTS	AR	
-134	5474693	. . . CABLE ASM-512K MEMORY THERMISTOR SENSE SEE FIG. 79-3,-26,-28,-28M,-29,-34,-35 AND -87 FOR COMPONENT PARTS	AR	
-134	5474694	. . . CABLE ASSEMBLY-HI FREQ. DISTRIBUTION SEE FIG. 79-28,-42B,-44,-50A,-126 AND -140 FOR COMPONENT PARTS	AR	
-134	5474695	. . . CABLE ASSEMBLY-RELAY CONTROL SEE FIG. 79-22,-28,-28A,-28B,-28C,-28D, -30,-33,-35,-42B,-42C,-42D,-64 AND 137 FOR COMPONENT PARTS	AR	
-134	2134555	. . . JUMPER ASSEMBLY SEE FIG. 79-42B AND -48 FOR COMPONENT PARTS	AR	
-134	5343348	. . . JUMPER ASSEMBLY	AR	
-134	5760229	. . . JUMPER ASSEMBLY SEE FIG. 79-42C AND -42D FOR COMPONENT PARTS	AR	
-135	5474663	. . . FRAME ASSEMBLY- 512 POWER MODULE	1	
-136	532393	. . . CLAMP-ADJUSTABLE CABLE	25	
-137	2181008	. . . SCREW ATT PT	25	
-138	186759	. . . SCREW,MACH-BIND HD 8-32 X 5/16 LG	1	
-139	55901	. . . WASHER,LOCK-EXT TEETH NO. 8 X 0.381 OD	1	
-140	5802928	. . . CABLE ASSEMBLY SEE FIG. 79-28V,-63M,-120 AND -121 FOR COMPONENT PARTS	AR	
-140	5364080	. . . CABLE ASM-DC & THERMAL, LOGIC FRAME NO.1 SEE FIG. 79-4,-5,-6,-14,-28,-28M,-28N, -29,-30,-34,-42C,-42D AND -103 FOR COMPONENT PARTS	AR	
-140	5364081	. . . CABLE ASM-DC & THERMAL, LOGIC FRAME NO.2 SEE FIG. 79-14,-28,-28M,-28N,-30,-42C AND -42D FOR COMPONENT PARTS	AR	
-140	5364082	. . . CABLE ASSEMBLY-PDU TO LOGIC FRAME	AR	
-140	5364083	. . . CABLE ASSEMBLY-PDU TO LOGIC FRAME SEE FIG. 79-7,-8,-28,-42,-42A,-42C,-44 AND -69 FOR COMPONENT PARTS	AR	
-140	5364085	. . . CABLE ASSEMBLY-PDU TO LOGIC FRAME SEE FIG. 79-3,-5,-6,-28,-28M,-29,-34, -55A AND -82 FOR COMPONENT PARTS	AR	

LIST AND INDEX NUMBER	PART NUMBER	DESCRIPTION				UNITS PER ASM.	USABLE ON CODE
		1	2	3	4		
65 -140	5364086	. CABLE ASSEMBLY-PDU TO LOGIC FRAME SEE FIG. 79-28,-28M,-55A AND -82 FOR COMPONENT PARTS				AR	
-140	5364088	. CABLE ASM- 208V AC PWR TO LOGIC FR.1				AR	
-140	5364089	. CABLE ASM- 208V AC PWR TO LOGIC FR.1 & 2 SEE FIG. 79-17,-20A,-21 AND -28 FOR COMPONENT PARTS				AR	
-140	5364090	. CABLE ASM- 115V AC CONV OUTLET POWER SEE FIG. 79-31 FOR COMPONENT PARTS				AR	
-140	5364381	. CABLE ASSEMBLY-66V METER SEE FIG. 79-28,-35,-42C AND -42D FOR COMPONENT PARTS				AR	
-140	5363934	. CABLE ASSEMBLY-CONNECTOR, GATE E SEE FIG. 79-10,-28,-42C AND -54 FOR COMPONENT PARTS				AR	
-140	5802929	. CABLE ASSEMBLY SEE FIG. 79-1A,-28V,-63M,-120,-120A,-121 AND -121A FOR COMPONENT PARTS				AR	
-141	5365041	. FRAME ASM, FRAME 4				1	
-142	187855	. . SHIELD,BLOCK,2 IN. X .062 X 7 3/4 LONG				2	
-143	210984	. . SCREW, RD HD MACH-6-32 X .250 LG ATT PT				2	
-144	210985	. . STUD,EXT-INT 6-32 EXT 8-32 X 0.900 LG OA				2	
-145	81898	. . BLOCK,12 DBL SCREW TERMINALS				2	
-146	210986	. . STUD-SHIELD MOUNTING				6	
-147	510638	. . MARKER STRIP				2	
-148	186944	. . SHIELD,TERMINAL BOARD- 6 POSITION				1	
-149	210984	. . SCREW, RD HD MACH-6-32 X .250 LG ATT PT				1	
-150	210985	. . STUD,EXT-INT 6-32 EXT 8-32 X 0.900 LG OA				1	
-151	317131	. . TERMINAL BOARD- 6 DBL SCREW TERMINALS				1	
-152	210986	. . STUD-SHIELD MOUNTING				3	
-153	322266	. . MARKER STRIP- 6 POS NOS. 1 THRU 6				1	
-154	5407507	. . COVER-SAFETY CONNECTOR				1	
-155	5350012	. . SCREW, THD FORMING HEX WSR HD 8-32 X .25 ATT PT				2	
-156	5353853	. . HOUSING				1	
-157	322551	. . SCREW,MACH-BIND HD 6-32X3/4 LG ATT PT				2	
-158	257986	. . WASHER,FLAT NO. 6 ATT PT				2	
-159	6364	. . WASHER,LOCK-SPLIT NO. 6 X 1/4 OD ATT PT				2	
-160	5368354	. . BRACKET-CONNECTOR MTG				1	
-161	5319854	. . SCREW,THD CUTTING-HEX HD 8-32 X 0.375 LG ATT PT				4	
-162	2500610	. . FINAL ASSEMBLY,128K SEE FIG. 22 FOR DETAIL BREAKDOWN				2	
-163	38688	. . SCREW-SUPPORT & TRIM MOUNTING .750 LONG ATT PT				8	
-164	6935	. . WASHER,LOCK-SPLIT 1/4 X 0.493 OD ATT PT				8	
-165	5469510	. . OUTRIGGER ASSEMBLY				2	
-166	5474701	. . LABEL				1	
-167	5469509	. . BRACKET				2	
-168	180072	. . SCREW,CAP-SLOTTED HEX HD 5/16-18X0.875LG ATT PT				4	
-168A	257983	. . WASHER,LOCK-SPLIT 5/16 ATT PT				4	
-169	5469508	. . CHANNEL				1	
-170	5477977	. . CASTER				2	
-173	5462364	. . FRAME ASSEMBLY,MEMORY				1	



FOR PARTS
NOT SHOWN
SEE FIG. 61
SHEET 1

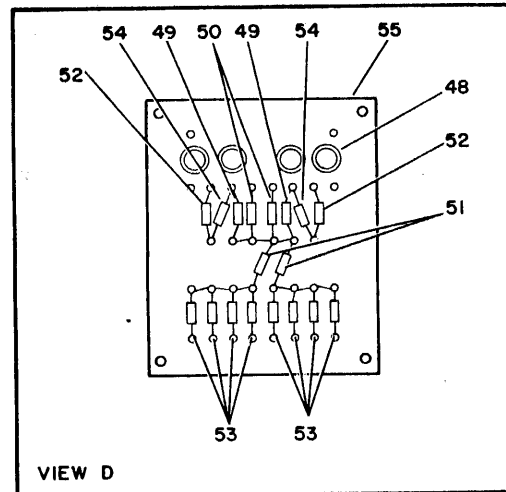
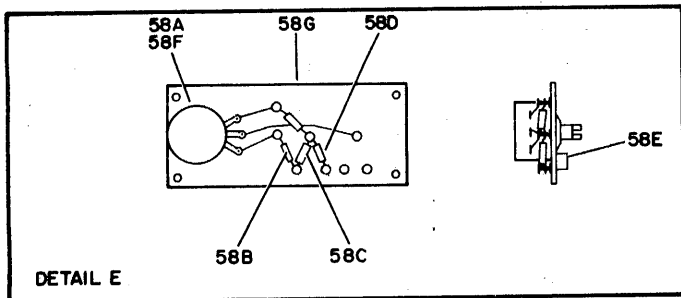
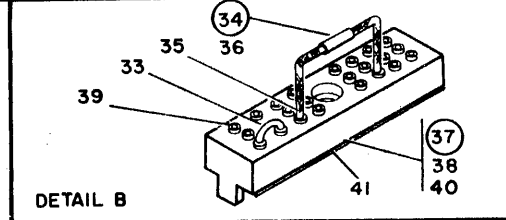
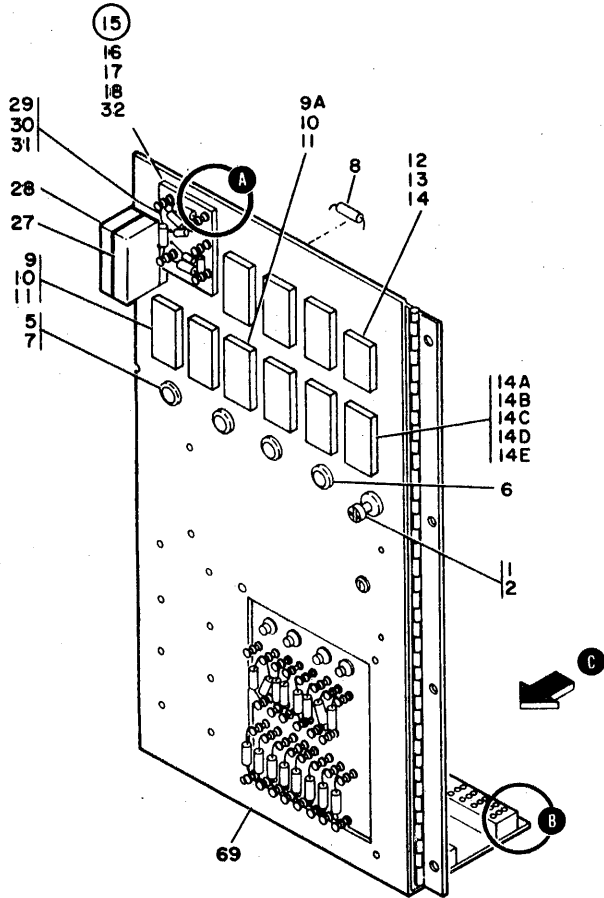
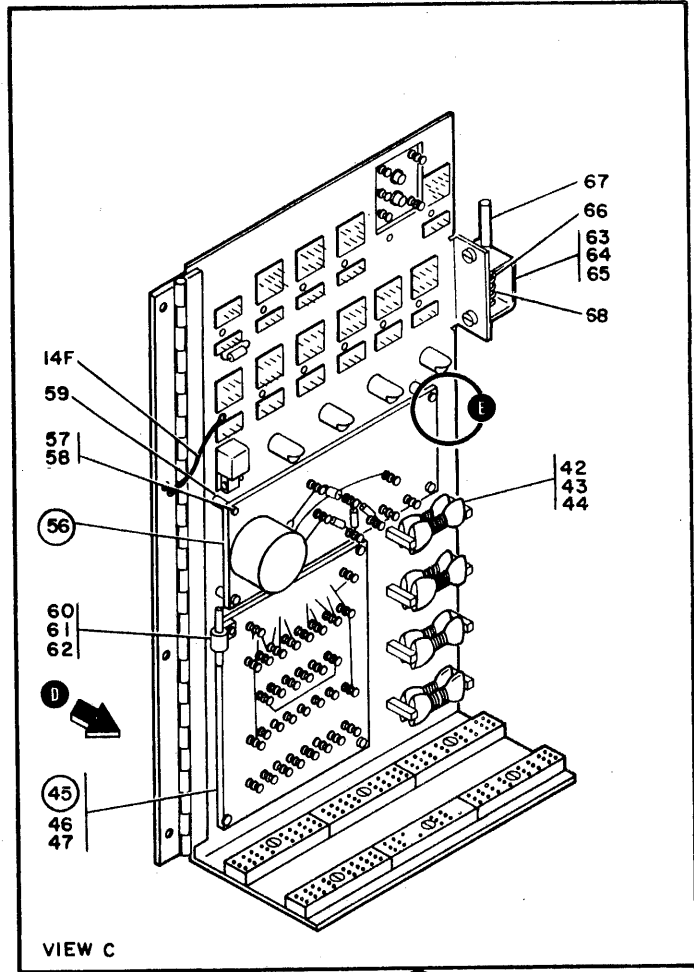


FIGURE 66. 512K POWER MODULE RELAY PANEL ASSEMBLY. SEE LIST 66.

LIST AND INDEX NUMBER	PART NUMBER	DESCRIPTION	UNITS PER ASM.	USABLE ON CODE
		512K POWER MODULE RELAY PANEL ASSEMBLY		
66 -	5474664	PANEL ASSEMBLY, RELAY SEE FIG. 65-14 FOR NEXT HIGHER ASSEMBLY AND FIG. 66 FOR ILLUSTRATION	REF	
- 1	189138	• KNOB-SWITCH BLACK	1	
- 2	215679	• SWITCH, PUSH-NO 125V AC 1 AMP	1	
- 5	5376712	• INDICATOR ASSEMBLY, 24V-WHITE	2	
- 6	5376713	• INDICATOR ASSEMBLY, 24V-RED	2	
- 7	5353888	• HOUSING	4	
- 8	2111232	• SEMICONDUCTOR DEVICE, DIODE-TYPE AM	9	
- 9	5351139	• SOCKET, RELAY- 6 POSITION	7	
- 9A	5364276	• SOCKET-RELAY 2 POS	1	
- 10	438548	• SCREW, MACH-BIND HD 4-40 X 3/16 LG ATT PT	8	
- 11	5364197	• GROUND-RELAY	8	
- 12	5318967	• SOCKET, 4 POSITION RELAY	1	
- 13	438548	• SCREW, MACH-BIND HD 4-40 X 3/16 LG ATT PT	1	
- 14	5364197	• GROUND-RELAY	1	
- 14A	5351139	• SOCKET, RELAY- 6 POSITION	1	
- 14B	438549	• SCREW, MACH-BIND HD 4-40 X 7/16 LG ATT PT	1	
- 14C	56722	• WASHER, LOCK-EXT TEETH NO. 6 ATT PT	1	
- 14D	37913	• NUT, HEX- 4-40 ATT PT	1	
- 14E	5364197	• GROUND-RELAY	1	
- 14F	5820594	• JUMPER ASSEMBLY SEE FIG. 79-42C AND -42D FOR COMPONENT PARTS	1	
- 15	5276683	• TIME DELAY ASSEMBLY	1	
- 16	338238	• SCREW, MACH-BD HD 4-40 NC X .3125 LG ATT PT	1	
- 17	338169	• WASHER, LOCK-EXT TEETH NO. 4 X .260 OD ATT PT	2	
- 18	257186	• NUT, PLAIN, HEX- 4-40 X 5/16 FL W ATT PT	1	
- 19	492475	• RESISTOR- 220K 1/4W	1	
- 20	217082	• RESISTOR, FXD, COMP- 820 OHMS P/M 5% 1/4W	1	
- 21	216452	• RESISTOR, FXD CARB, 2K OHM, 1/4W, 5%	1	
- 22	1132587	• CAPACITOR, ELEC- 100 MFD -10&75% 15 VDC	1	
- 23	369654	• TRANSISTOR-NPN	1	
- 24	369652	• TRANSISTOR-PNP	1	
- 25	597977	• DIODE, SEMICONDUCTOR- 700 OHMS 8.8V TY DT	1	
- 26	2111232	• SEMICONDUCTOR DEVICE, DIODE-TYPE AM	2	
- 27	5351163	• RETAINER-RELAY	1	
- 28	5351156	• RELAY, ARM-COIL 24V CONT 30V 5 AMP 6PDT	1	
- 29	5351139	• SOCKET, RELAY- 6 POSITION	1	
- 30	438550	• SCREW, MACH-BIND HD 4-40 X 1/2 LG ATT PT	1	
- 31	5364197	• GROUND-RELAY	1	
- 32	5276250	• BOARD ASM	1	
- 33	205331	• JUMPER- 0.125 BRASS	13	
- 34	615354	• DIODE ASM- SILICON- TYPE AM	3	
- 35	187243	• TERMINAL, SMALL TAPER	2	
- 36	2111232	• SEMICONDUCTOR DEVICE, DIODE-TYPE AM	1	
- 37	302090	• CONNECTOR, RECP, ELEC- 24 FEMALE CONTACTS	6	
- 38	438549	• SCREW, MACH-BIND HD 4-40 X 7/16 LG ATT PT	6	
- 39	302089	• SPRING-TERMINAL BOARD CONTACT	8	
- 40	302088	• TERMINAL BOARD	1	
- 41	302131	• INSULATOR, TERMINAL BLOCK	6	
- 42	5276705	• RESISTOR, FIXED, WIREWOUND	4	
- 43	5276706	• RESISTOR, FIXED, WIREWOUND	4	
- 44	438551	• SCREW, MACH-BIND HD 4-40 X 5/8 LG ATT PT	8	
- 45	5276660	• BOARD ASSEMBLY, VOLT SENSE	1	
- 46	10170	• SCREW, MACH-BIND HD 6-32 X 1/4 LG ATT PT	3	
- 47	6364	• WASHER, LOCK-SPLIT NO. 6 X 1/4 OD ATT PT	3	
- 48	369654	• TRANSISTOR-NPN	4	
- 49	317001	• RESISTOR, FXD, COMP-1.1K P/M 5 PCT 1/2W	2	
- 50	317010	• RESISTOR, FXD, COMP- 430 OHMS P/M 5% 1/2W	2	
- 51	300721	• RESISTOR, FXD, COMP- 10K P/M 5% 1/2W	2	
- 52	317003	• RESISTOR, FXD, COMP- 47 OHMS P/M 5% 1/2W	2	
- 53	2111232	• SEMICONDUCTOR DEVICE, DIODE-TYPE AM	8	
- 54	2414815	• SEMICONDUCTOR DEVICE, DIODE	2	
- 55	5276661	• BOARD ASSEMBLY, PIN	1	
- 56	5364656	• COMPONENT ASSEMBLY	1	
- 57	438551	• SCREW, MACH-BIND HD 4-40 X 5/8 LG ATT PT	4	
- 58	338169	• WASHER, LOCK-EXT TEETH NO. 4 X .260 OD ATT PT	4	
- 58A	208300	• POTENTIOMETER, 250 OHM P/M10% 2W	1	
- 58B	317009	• RESISTOR, FXD 390 OHM P/M 5 PCT 0.5W	2	
- 58C	209002	• SEMICONDUCTOR DEVICE, DIODE	1	
- 58D	317433	• RESISTOR, FXD, COMP- 560 OHMS P/M 5% 1W	1	
- 58E	369652	• TRANSISTOR-PNP	1	
- 58F	846555	• WASHER, LOCK-INT TEETH 0.380 ID	1	
- 58G	5364657	• TERMINAL BOARD - U/V	1	

FOR PARTS
NOT SHOWN
SEE FIG. 65,75
SHEET 1, 2

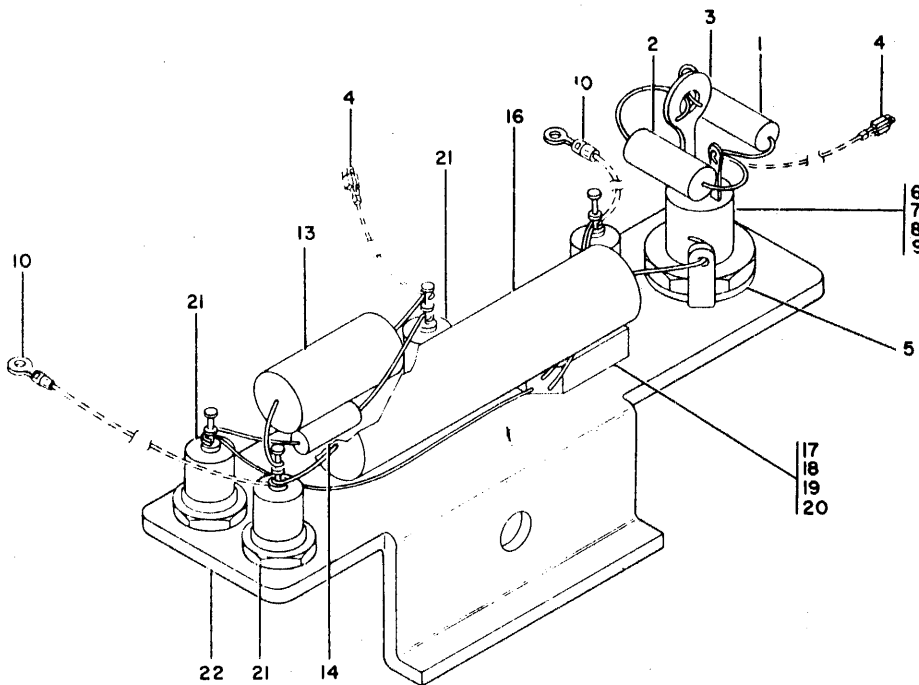


FIGURE 67. REMOTE O/V-O/C ASSEMBLY. SEE LIST 67.

REF. AN. INDEX NUMBER	PART NUMBER	DESCRIPTION	UNITS PER ASM.	USABLE ON CODE
		REMOTE O/V-O/C ASSEMBLY		
67 -	5708934	REMOTE O/V-O/C ASSEMBLY SEE FIG. 65-62 AND 75-71 FOR NEXT HIGHER ASSEMBLY AND FIG. 67 FOR ILLUSTRATION	REF	
- 1	213693	• RESISTOR,FXD,COMP- 1K P/M 5% 1/2W	1	
- 2	491228	• CAPACITOR,FXD,FILM- 0.01MF P/M 10% 100V	1	
- 3	334910	• TERMINAL-RING,14-16 AWG,#6 HOLE,INS	1	
- 4	596255	• TERMINAL,SLIP-ON	2	
- 5	322765	• TERMINAL,LUG	1	
- 6	595256	• SEMICONDUCTOR DEVICE,D10- 5V 2 AMP	1	
- 7	3550	• WASHER,FL- 1/4 X 9/16 OD X 0.050 THK	1	ATT PT
- 8	65756	• WASHER,LOCK-INT TEETH 0.267 ID X 0.478OD	1	ATT PT
- 9	160017	• NUT,PLAIN,HEX- 1/4-28 X 7/16 FL W	1	ATT PT
- 10	359695	• TERMINAL,RING LUG-INSULATED	2	
- 13	317350	• RESISTOR,FXD COMP-CARBON 2K	1	
- 14	216425	• RESISTOR,FXD,CARBON- 75 OHMS P/M 5% 1/4W	1	
- 16	472250	• RESISTOR,FXD- 0.5 OHMS P/M 5% 10W	1	
- 17	529214	• RESISTOR,VAR- 100 OHMS P/M 5% 1W	1	
- 18	52618	• SCREW, MACHINE-FILLISTER HEAD	2	ATT PT
- 19	45624	• WASHER,FL-NO. 2 X 7/32 OD X 0.020 THK	2	ATT PT
- 20	47987	• NUT,PLAIN,HEX- 2-56 X 3/16 FL W	2	ATT PT
- 21	5261459	• TERMINAL,STANDOFF	4	
- 22	5713516	• BRACKET	1	

FOR PARTS
NOT SHOWN
SEE FIG. 65,75
SHEET 1, 2

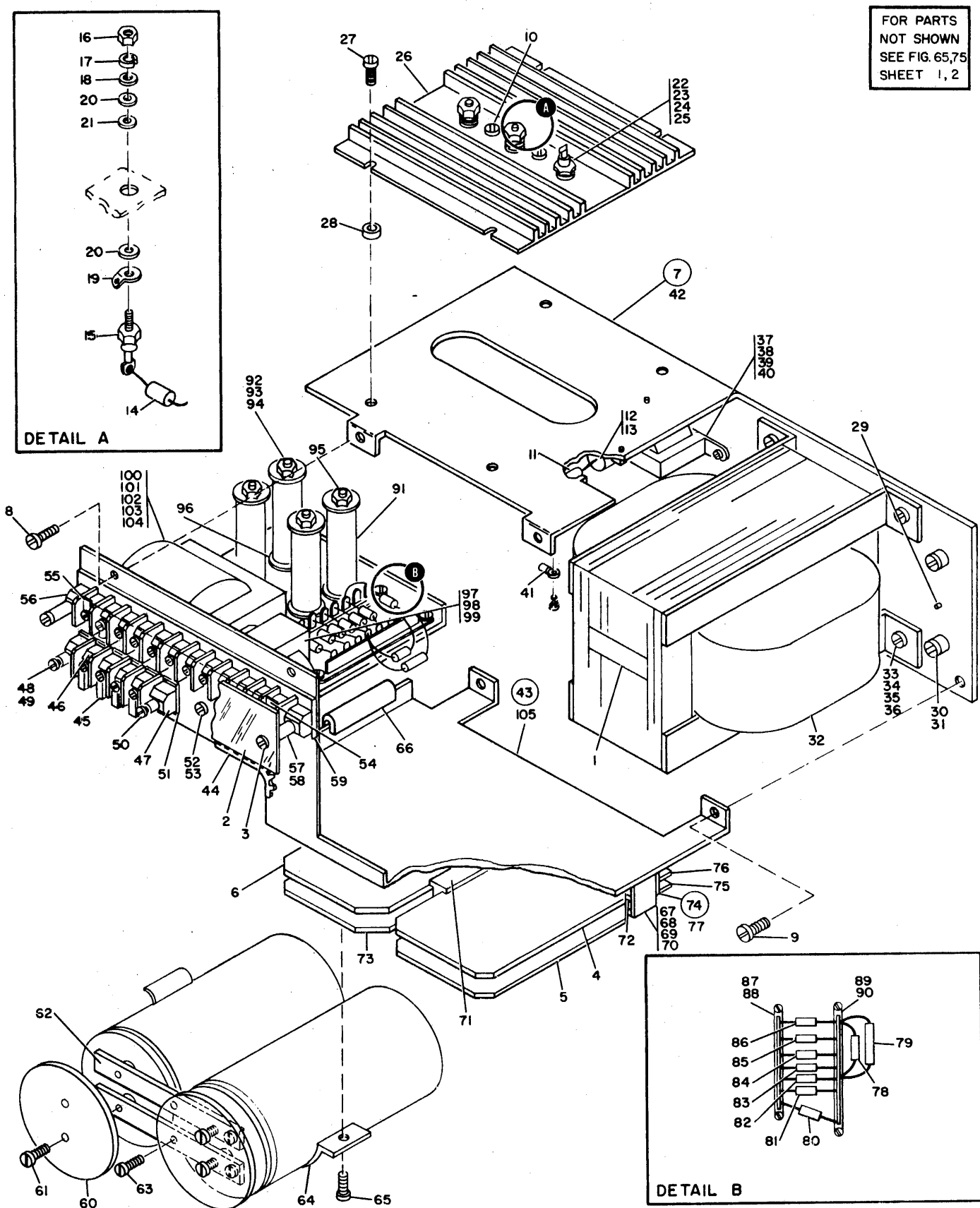
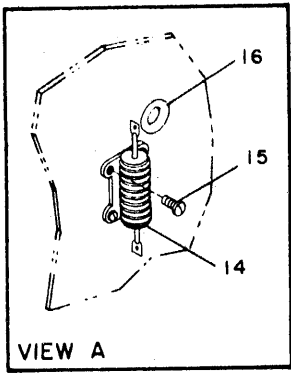


FIGURE 68. 60V AT 8 AMP POWER SUPPLY ASSEMBLY. SEE LIST 68.

LIST AND INDEX NUMBER	PART NUMBER	DESCRIPTION	UNITS	USABLE
			PER ASM.	ON CODE
		60V AT 8 AMP POWER SUPPLY ASSEMBLY		
68 -	5712180	POWER SUPPLY ASSEMBLY, 60V AT 8 AMP SEE FIG. 65-63 AND 75-72 FOR NEXT HIGHER ASSEMBLY AND FIG. 68 FOR ILLUSTRATION	REF	
- 1	5261412	. LABEL	1	
- 2	5709464	. SHIELD	1	
- 3	210984	. SCREW, RD HD MACH-6-32 X .250 LG ATT PT	1	
- 4	374772	. CARD ASM	1	
- 5	374826	. CARD ASSEMBLY	1	
- 6	374981	. CARD ASSEMBLY	1	
- 7	5713600	. PLATE ASSEMBLY	2	
- 8	81693	. SCREW, MACH-BIND HD 6-32 X 3/8 LG ATT PT	4	
- 9	38443	. SCREW, MACH-FL CSK HD 6-32 X 5/16 LG ATT PT	2	
- 10	183900	. SCREW, THD CTG-BIND HD 8-32 X 1/4 LG	1	
- 11	5261389	. CAPACITOR, PAPER-0.022 UF P/M 1% 600VDC	1	
- 12	5240462	. RESISTOR, FXD, WW-150 OHMS P/M 5% 50W	2	
- 13	251970	. SCREW-MACH BD. HD. 4-40 X 1/4 LG ATT PT	2	
- 14	529203	. CAPACITOR, FIXED, TANTALUM-47 UF 35V	2	
- 15	5214104	. SEMICONDUCTOR- 11.5A 400V	2	
- 16	160017	. NUT, PLAIN, HEX- 1/4-28 X 7/16 FL W ATT PT	2	
- 17	76574	. LOCKWASHER-EXT TOOTH ID .267 X OD .510 ATT PT	2	
- 18	3550	. WASHER, FL- 1/4 X 9/16 OD X 0.050 THK ATT PT	2	
- 19	322765	. TERMINAL, LUG	4	
- 20	217017	. WASHER-INSULATING	2	
- 21	5351173	. BUSHING-INSULATOR	1	
- 22	216197	. RECTIFIER, SILICON-ALLOY	1	
- 23	11891	. NUT-PLAIN, HEX, 10-32 X 3/8 FL W BRS ATT PT	1	
- 24	56079	. WASHER, LOCK-EXT T .195 ID .410 OD ATT PT	1	
- 25	45690	. WASHER, FL - NO.10 X 7/16 OD X 1/32 THK ATT PT	1	
- 26	5253807	. HEAT SINK-DIODE	4	
- 27	337	. SCREW, MACH-FIL H 8-32 X 3/8 LG ATT PT	4	
- 28	337549	. INSULATOR - HEAT SINK MOUNTING	1	
- 29	5261379	. PIN, STRAIGHT DOWEL	4	
- 30	5261315	. ADAPTER-CAPTIVE SCREW	4	
- 31	5261314	. SCREW, CAPTIVE- 10-32 X 1/2 LG ATT PT	1	
- 32	5253783	. TRANSFORMER-POWER	4	
- 33	325660	. SCREW-MACH FH 1/4-20 X .625 LG ATT PT	4	
- 34	3550	. WASHER, FL- 1/4 X 9/16 OD X 0.050 THK ATT PT	4	
- 35	76574	. LOCKWASHER-EXT TOOTH ID .267 X OD .510 ATT PT	4	
- 36	3960	. NUT, PLAIN, HEX- 1/4-20 X 7/16 FL W ATT PT	1	
- 37	5253835	. TRANSFORMER	2	
- 38	55726	. SCREW, MACH-BIND HD 6-32 X .188 LG ATT PT	2	
- 39	56722	. WASHER, LOCK-EXT TEETH NO. 6 ATT PT	2	
- 40	257986	. WASHER, FLAT NO. 6 ATT PT	1	
- 41	323925	. TERMINAL	1	
- 42	5253784	. PLATE-POWER SUPPLY MTG	1	
- 43	5713599	. PLATE ASM, TOP-60VDC AT 8A	1	
- 44	730432	. GROMMET, CATERPILLAR	4	
- 45	5276271	. TAB, TERMINAL	4	
- 46	5276270	. TAB, TERMINAL	1	
- 47	5253824	. TERMINAL BOARD-4 POS	1	
- 48	322550	. SCREW	2	
- 49	62031	. WASHER, LOCK-INT TEETH NO. 6 X 0.295 OD ATT PT	1	
- 50	210883	. STUD-SHIELD MTG, TAPPED, NO. 6-32 ATT PT	1	
- 51	5253823	. MARKER STRIP-4 POS	1	
- 52	10170	. SCREW, MACH-BIND HD 6-32 X 1/4 LG	1	
- 53	56722	. WASHER, LOCK-EXT TEETH NO. 6	11	
- 54	5276271	. TAB, TERMINAL	11	
- 55	5276270	. TAB, TERMINAL	1	
- 56	5253845	. TERMINAL BOARD-12 POS	2	
- 57	210884	. STUD-SHIELD MTG, NO. 6-32 ATT PT	2	
- 58	62031	. WASHER, LOCK-INT TEETH NO. 6 X 0.295 OD ATT PT	1	
- 59	5253825	. MARKER STRIP-12 POS	2	
- 60	5240477	. SHIELD, CAPACITOR	4	
- 61	32617	. SCREW, MACH-BIND HD 10-32 X 0.438 LG ATT PT	2	
- 62	5261327	. BUS BAR	4	
- 63	236849	. SCREW, MACH-BIND HD 10-32 X 0.250 LG ATT PT	1	
- 64	5253822	. BRACKET-CAPACITOR MTG	1	
- 65	438602	. SCREW, MACH-BIND HD 10-32 X 1-1/2 LG ATT PT	2	
- 66	237455	. RUBBER CHANNEL	1	
- 67	5253833	. CLAMP-CONNECTOR MTG	2	
- 68	10170	. SCREW, MACH-BIND HD 6-32 X 1/4 LG ATT PT	1	
- 69	438570	. SCREW, MACH-BIND HD 6-32 X 1-1/2 LG ATT PT	3	
- 70	56722	. WASHER, LOCK-EXT TEETH NO. 6 ATT PT		



FOR PARTS
NOT SHOWN
SEE FIG. 65,75
SHEET 1, 2

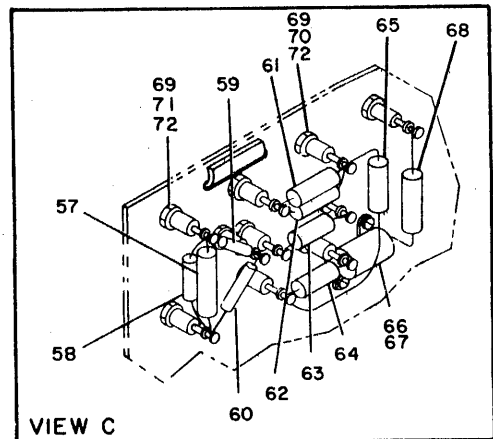
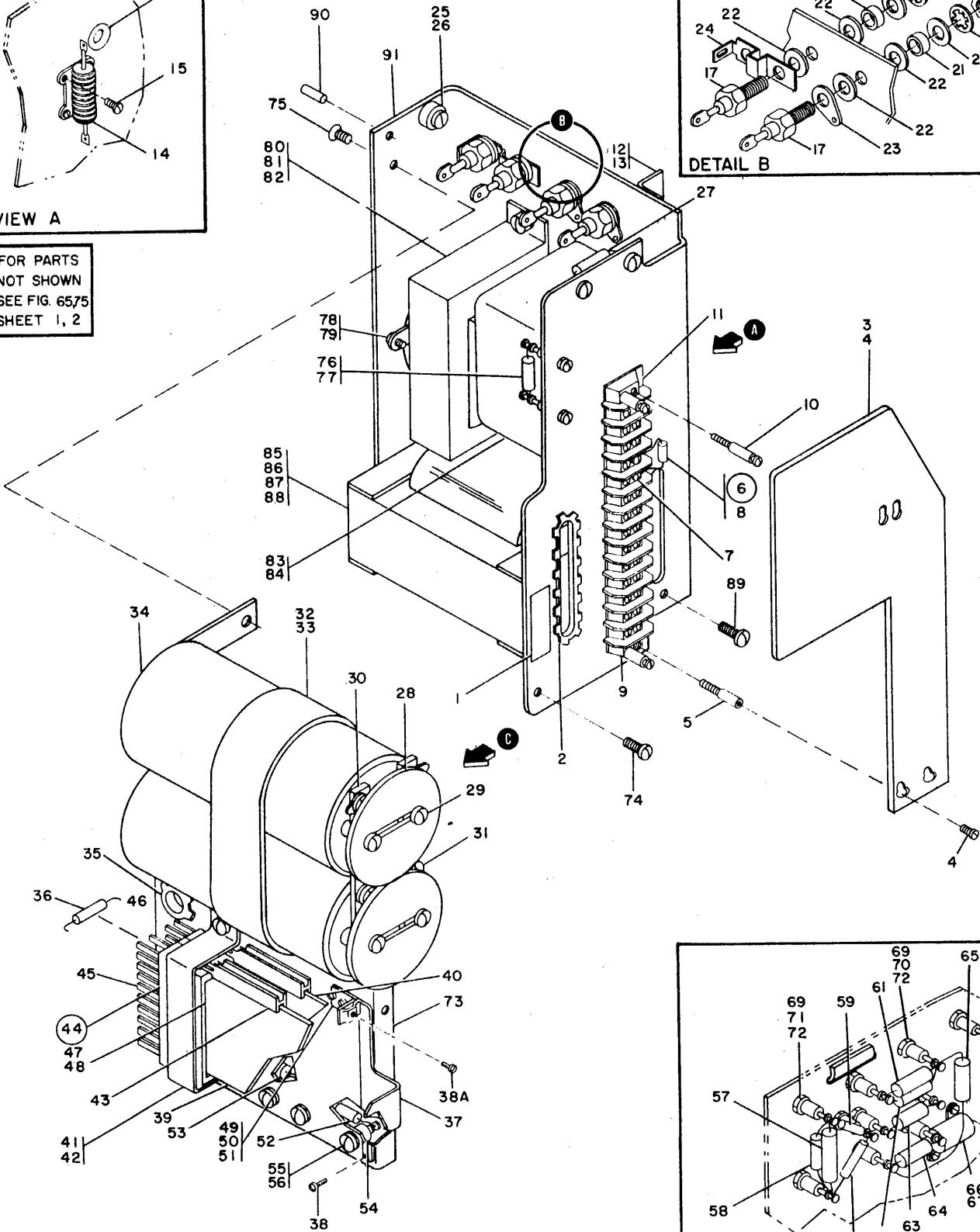
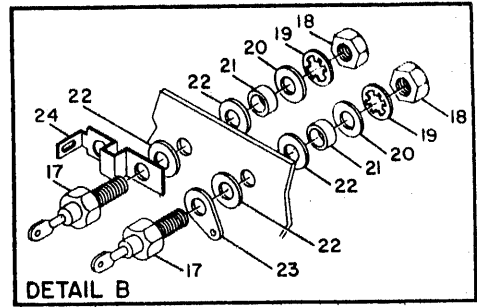


FIGURE 69. 56V AT 4 AMP MAGNETIC AMPLIFIER ASSEMBLY. SEE LIST 69.

LIST AND INDEX NUMBER	PART NUMBER	DESCRIPTION	UNITS	USABLE
			PER ASM.	ON CODE
		56V AT 4 AMP MAGNETIC AMPLIFIER ASSEMBLY		
69 -	5712480	MAGNETIC AMPLIFIER ASSEMBLY, 56V AT 4 AMP SEE FIG. 65-64 AND 75-73 FOR NEXT HIGHER ASSEMBLY AND FIG 69 FOR ILLUSTRATION	REF	
- 1	5261412	. LABEL	1	
- 2	730432	. GROMMET, CATERPILLAR	1	
- 3	5730854	. SHIELD, SAFETY	1	
- 4	210984	. SCREW, RD HD MACH-6-32 X .250 LG ATT PT	1	
- 5	210883	. STUD-SHIELD MTG, TAPPED, NO. 6-32 ATT PT	1	
- 6	5708939	. CAPACITOR ASM- 0.100MFD P/M 10% 100VDC	1	
- 7	334921	. . TERMINAL-RING, 18-22 AWG, #6 HOLE, INS	2	
- 8	217077	. . CAPACITOR, FXD-POLY- .1MFD P/M 10% 100VDC	1	
- 9	317314	. TERMINAL BOARD- 4 DBL SCREW TERMINALS	1	
- 10	210884	. STUD-SHIELD MTG, NO. 6-32 ATT PT	3	
- 11	5261294	. STRIP, MARKER	1	
- 12	5261307	. BRACKET	1	
- 13	55726	. SCREW, MACH-BIND HD 6-32 X .188 LG ATT PT	2	
- 14	5240462	. RESISTOR, FXD, WW-150 OHMS P/M 5% 50W	1	
- 15	438548	. SCREW, MACH-BIND HD 4-40 X 3/16 LG ATT PT	2	
- 16	53193	. GROMMET, RUB-FOR 7/16 HOLE X 3/32 PNL	1	
- 17	5213400	. RECTIFIER, SILICON	4	
- 18	11891	. NUT-PLAIN, HEX, 10-32 X 3/8 FL W BRS ATT PT	4	
- 19	56121	. WASHER, LOCK-INT TEETH NO. 10 X 0.381 OD ATT PT	4	
- 20	45690	. WASHER, FL - NO.10 X 7/16 OD X 1/32 THK ATT PT	4	
- 21	473582	. INSULATOR	4	
- 22	217019	. WASHER, INSULATING	8	
- 23	316996	. TERMINAL, LUG-NONINS 9AWG NO. 8 MTG HOLE	2	
- 24	478043	. JUMPER - PLATE	1	
- 25	5261315	. ADAPTER-CAPTIVE SCREW	2	
- 26	5261314	. SCREW, CAPTIVE- 10-32 X 1/2 LG ATT PT	2	
- 27	332585	. RESISTOR	1	
- 28	362206	. COVER, CAPACITOR	2	
- 29	236849	. SCREW, MACH-BIND HD 10-32 X 0.250 LG ATT PT	4	
- 30	5261313	. BUS BAR	2	
- 31	32617	. SCREW, MACH-BIND HD 10-32 X 0.438 LG ATT PT	4	
- 32	5261325	. BRACKET	1	
- 33	55918	. SCREW, MACH-BIND HD 10-32 X 5/8 LG ATT PT	1	
- 34	5261369	. CAPACITOR, ELEC-5000 UF P/M 10% 75VDC	2	
- 35	730432	. GROMMET, CATERPILLAR	1	
- 36	5261789	. CAPACITOR ASSEMBLY, 0.022UF, PORM 10 PCT	2	
- 37	5261316	. BRACKET, CARD RETAINING	1	
- 38	479714	. SCREW, SHLDR-FLAT HD 4-40 X 19/64 LG ATT PT	1	
- 38A	5261354	. SCREW, MACH, CAPTIVE- 6-32 X 3/8 LG	1	
- 39	374771	. CARD ASM	1	
- 40	374772	. CARD ASM	1	
- 41	473530	. BRACKET	1	
- 42	55726	. SCREW, MACH-BIND HD 6-32 X .188 LG ATT PT	2	
- 43	216207	. GUIDE-SINGLE CARD SHORT	2	
- 44	216076	. TERMINAL BLOCK AND CONTACT ASSEMBLY	2	
- 45	216087	. . SPRING-CONTACT	8	
- 46	216088	. . SPRING-CONTACT	8	
- 47	216073	. . TERMINAL BLOCK AND CONTACT ASSEMBLY	1	
- 48	473547	. SPACER, 1 X 2 3/8 IN .12 IN THICK	1	
- 49	5261317	. BRACKET	1	
- 50	10170	. SCREW, MACH-BIND HD 6-32 X 1/4 LG ATT PT	2	
- 51	56722	. WASHER, LOCK-EXT TEETH NO. 6 ATT PT	2	
- 52	335017	. RESISTOR, FIXED COMP 240 OHMS PM 5% 1W	1	
- 53	335017	. RESISTOR, FIXED COMP 240 OHMS PM 5% 1W	1	
- 54	533534	. TERMINAL	6	
- 55	10170	. SCREW, MACH-BIND HD 6-32 X 1/4 LG ATT PT	6	
- 56	62031	. WASHER, LOCK-INT TEETH NO. 6 X 0.295 OD ATT PT	6	
- 57	491319	. CAPACITOR-4700MFD 100V	1	
- 58	5213445	. RESISTOR, FIXED, FILM-9.76K P/M 1 PCT 0.5W	1	
- 59	479168	. RESISTOR, FXD, FILM- 12.40K P/M 1% 1/8W	1	
- 60	481613	. RESISTOR	1	
- 61	481447	. RESISTOR	1	
- 62	335131	. RESISTOR, FIXED COMP 100 OHM 5% 1 WATT	1	
- 63	207324	. RESISTOR, FXD, WW- 0.1 OHM P/M 5% 5W	1	
- 64	492448	. RESISTOR, FXD, FILM- 130 OHMS P/M 5% 2W	1	
- 65	217017	. WASHER-INSULATING	1	
- 66	5240461	. RESISTOR	1	
- 67	438548	. SCREW, MACH-BIND HD 4-40 X 3/16 LG ATT PT	2	
- 68	326367	. CAPACITOR, FXD, PAPER- 0.1 UF P/M 10% 400V	1	
- 69	533534	. TERMINAL	10	

FOR PARTS
NOT SHOWN
SEE FIG. 65,75
SHEET 1,2

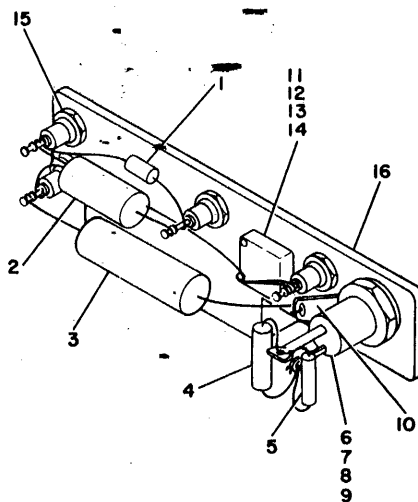


FIGURE 70. REMOTE O/V-O/C ASSEMBLY. SEE LIST 70.

LIST AND INDEX NUMBER	PART NUMBER	DESCRIPTION	UNITS	USABLE
			PER ASM.	ON CODE
		1 2 3 4		
		REMOTE O/V-O/C ASSEMBLY		
70 -	5708932	REMOTE O/V-O/C ASSEMBLY SEE FIG 54-8, 65-68 AND 75-74 FOR NEXT HIGHER ASSEMBLY AND FIG 70 FOR ILLUSTRATION	REF	
- 1	550051	• RESISTOR	1	
- 2	472579	• RESISTOR,FXD,COMP 510 OHM P/M 5 PCT 2W	1	
- 3	208226	• RESISTOR,FXD,WW 0.3 OHMS P/M 5% 1/2W	1	
- 4	491228	• CAPACITOR,FXD,FILM- 0.01MF P/M 10% 100V	1	
- 5	213693	• RESISTOR,FXD,COMP- 1K P/M 5% 1/2W	1	
- 6	595256	• SEMICONDUCTOR DEVICE,D10- 5V 2 AMP	1	
- 7	160017	• NUT,PLAIN,HEX- 1/4-28 X 7/16 FL W ATT PT	1	
- 8	65756	• WASHER,LOCK-INT TEETH 0.267 ID X 0.4780D ATT PT	1	
- 9	3550	• WASHER,FL- 1/4 X 9/16 OD X 0.050 THK ATT PT	1	
- 10	322765	• TERMINAL,LUG	1	
- 11	529214	• RESISTOR,VAR- 100 OHMS P/M 5% 1W	1	
- 12	52618	• SCREW, MACHINE-FILLISTER HEAD ATT PT	2	
- 13	45624	• WASHER,FL-NO. 2 X 7/32 OD X 0.020 THK ATT PT	2	
- 14	47987	• NUT,PLAIN,HEX- 2-56 X 3/16 FL W ATT PT	2	
- 15	5261459	• TERMINAL,STANDOFF	5	
- 16	5713516	• BRACKET	1	

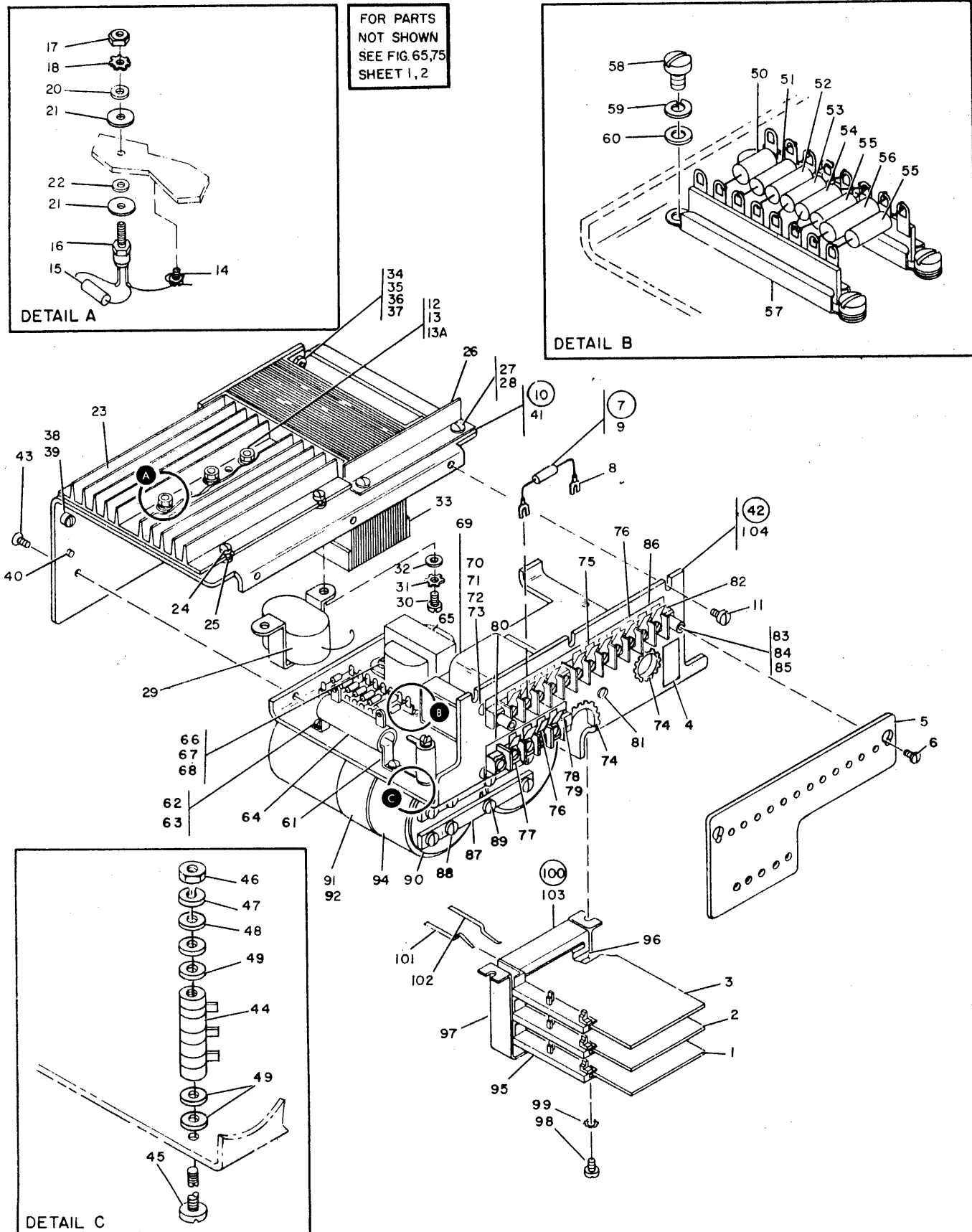


FIGURE 71. 18VDC AT 11 AMP POWER SUPPLY ASSEMBLY. SEE LIST 71.

LIST AND INDEX NUMBER	PART NUMBER	DESCRIPTION				UNITS PER ASM.	USABLE ON CODE
		1	2	3	4		
		18VDC AT 11 AMP POWER SUPPLY ASSEMBLY					
		CODE 1 USED ON ASM PRIOR TO L6 SUFFIX CODE 2 USED ON ASM L6 TO B8 SUFFIX CODE 3 USED ON ASM FROM B8 TO CURRENT					
71 -	5712100	18 VDC AT 11 AMPS POWER SUPPLY ASSEMBLY FOR NEXT HIGHER ASM SEE FIG. 65-66 AND 75-75 FOR ILLUSTRATION SEE FIG. 71				REF	
- 1	374772	• CARD ASSEMBLY				1	
- 2	374826	• CARD ASSEMBLY				1	
- 3	374981	• CARD ASSEMBLY				1	
- 4	5261412	• LABEL				1	
- 5	5253820	• COVER-TERM BOARD				1	
- 6	10170	• SCREW,MACH-BIND HD 6-32 X 1/4 LG ATT PT				2	
- 7	5708939	• CAPACITOR ASM- 0.100MFD 10% 100VDC				1	
- 8	334921	• • TERMINAL-RING, 18-22 AWG, NO. 6 HOLE, INS				2	
- 9	217077	• • CAPACITOR,FXD-POLY- .1MFD P/M 10% 100VDC				1	
- 10	5709325	• PLATE ASSEMBLY,BOTTOM,POWER SUPPLY, 18VDC				1	
- 11	81693	• SCREW,MACH-BIND HD 6-32 X 3/8 LG ATT PT				3	
- 12	216197	• • RECTIFIER,SILICON-ALLOY				1	
- 13	11891	• • NUT-PLAIN,HEX, 10-32 X 3/8 FL W BRS ATT PT				1	
- 13A	56079	• • WASHER,LOCK-EXT T .195 ID .410 OD ATT PT				1	
- 14	5319854	• • SCREW,THD CUTTING-HEX HD 8-32 X 0.375 LG				2	
- 15	529203	• • CAPACITOR,FIXED,TANTALUM- 47 UF 35V				2	
- 16	5311759	• • SEMICONDUCTOR DEVICE,DIODE				2	1
- 16	5214153	• • SEMICONDUCTOR DEVICE,DIODE				2	2
- 16	5241104	• • SEMICONDUCTOR- 11.5A 400V				2	3
- 17	160017	• • NUT,PLAIN,HEX- 1/4-28 X 7/16 FL W ATT PT				2	
- 18	76574	• • LOCKWASHER-EXT TOOTH ID .267 X OD .510 ATT PT				2	
- 20	3550	• • WASHER,FL- 1/4 X 9/16 OD X 0.050 THK ATT PT				2	
- 21	217017	• • WASHER-INSULATING ATT PT				4	
- 22	5351173	• • BUSHING-INSULATOR ATT PT				2	
- 23	5253807	• • HEAT SINK-DIODE				1	
- 24	337	• • SCREW,MACH-FIL H 8-32 X 3/8 LG ATT PT				4	
- 25	337549	• • INSULATOR - HEAT SINK MOUNTING				4	
- 26	5253827	• • BRACKET-AIR TRANSFER				1	
- 27	55726	• • SCREW,MACH-BIND HD 6-32 X .188 LG ATT PT				2	
- 28	56722	• • WASHER,LOCK-EXT TEETH NO. 6 ATT PT				2	
- 29	5253835	• • TRANSFORMER				1	
- 30	55726	• • SCREW,MACH-BIND HD 6-32 X .188 LG ATT PT				2	
- 31	56722	• • WASHER,LOCK-EXT TEETH NO. 6 ATT PT				2	
- 32	257986	• • WASHER,FLAT NO. 6 ATT PT				2	
- 33	5253803	• • TRANSFORMER-POWER STEP DOWN				1	
- 34	367	• • SCREW,MACH-FL CSK HD 10-32 X 5/8 LG ATT PT				4	
- 35	45690	• • WASHER,FL - NO. 10 X 7/16 OD X 1/32 THK ATT PT				4	
- 36	56079	• • WASHER,LOCK-EXT T .195 ID .410 OD ATT PT				4	
- 37	11598	• • NUT,PLAIN-HEX 10-32 X 3/8 FL W ATT PT				4	
- 38	5261315	• • ADAPTER-CAPTIVE SCREW				2	
- 39	5261314	• • SCREW,CAPTIVE- 10-32 X 1/2 LG ATT PT				2	
- 40	5261379	• • PIN,STRAIGHT DOWEL				2	
- 41	5253796	• • PLATE-POWER SUPPLY MTG				1	
- 42	5709323	• PLATE ASSEMBLY,TOP,POWER SUPPLY, 18VDC				1	
- 43	38443	• SCREW,MACH-FL CSK HD 6-32 X 5/16 LG ATT PT				3	
- 44	437261	• • RESISTOR,VARIABLE,WIREWOUND				1	3
- 45	438592	• • SCREW,MACH-BIND HD 8-32 X 2-1/4 LG ATT PT				1	
- 46	257189	• • NUT,HEX- 8-32 ATT PT				1	
- 47	60646	• • WASHER,LOCK-INT T NO. 8 ATT PT				1	
- 48	22478	• • WASHER,FL- 0.170 ID 0.375 OD 0.32 THK ATT PT				1	
- 49	419130	• • WASHER,MICA, .195 IS 5/8 OD X .002 THK ATT PT				4	
- 50	335138	• • RESISTOR,FXD,COMP- 200 OHMS P/M 5% 2W				1	
- 51	321271	• • RESISTOR,FXD,COMP- 10 OHMS P/M 5% 1/2W				1	
- 52	355683	• • RESISTOR				1	2
- 53	492448	• • RESISTOR,FXD,FILM- 130 OHMS P/M 5% 2W				1	
- 54	213693	• • RESISTOR,FXD,COMP- 1K P/M 5% 1/2W				1	
- 55	317276	• • RESISTOR,FXD,COMP- 1.2K P/M 5% 1/2W				2	
- 56	529203	• • CAPACITOR,FIXED,TANTALUM- 47 UF 35V				1	
- 57	317200	• • TERMINAL BOARD- 8 LUG TERMINALS				2	
- 58	55726	• • SCREW,MACH-BIND HD 6-32 X .188 LG ATT PT				4	
- 59	56722	• • WASHER,LOCK-EXT TEETH NO. 6 ATT PT				4	
- 60	257986	• • WASHER,FLAT NO. 6 ATT PT				4	
- 61	510316	• • BRACKET-MTG, 25W RESISTOR				2	
- 62	55726	• • SCREW,MACH-BIND HD 6-32 X .188 LG ATT PT				2	
- 63	56722	• • WASHER,LOCK-EXT TEETH NO. 6 ATT PT				2	
- 64	353632	• • RESISTOR-WIREWOUND 25 OHMS 25 WATTS				1	
- 65	5266044	• • TRANSFORMER,CONTROL				1	
- 66	10170	• • SCREW,MACH-BIND HD 6-32 X 1/4 LG ATT PT				2	

LIST AND INDEX NUMBER	PART NUMBER	DESCRIPTION	UNITS PER ASM.	USABLE ON CODE
71 - 67	56722	. . WASHER, LOCK-EXT TEETH NO. 6	ATT PT	2
- 68	257986	. . WASHER, FLAT NO. 6	ATT PT	2
- 69	5253839	. . CHOKE, FILTER- 5KC 1MH AT 12.2 AMP		1
- 70	119	. . SCREW, MACH-FL CSK HD 8-32 X 1/2 LG	ATT PT	4
- 71	22478	. . WASHER, FL- 0.170 ID 0.375 OD 0.32 THK	ATT PT	4
- 72	55901	. . WASHER, LOCK-EXT TEETH NO. 8 X 0.381 OD	ATT PT	4
- 73	257189	. . NUT, HEX- 8-32	ATT PT	4
- 74	730432	. . GROMMET, CATERPILLAR		AR
- 75	5261270	. . TAB, TERMINAL		15
- 76	5276271	. . TAB, TERMINAL		15
- 77	5253824	. . TERMINAL BOARD-4 POS		1
- 78	322550	. . SCREW, MACH-BIND HD 6-32 X .5 LG	ATT PT	2
- 79	56722	. . WASHER, LOCK-EXT TEETH NO. 6	ATT PT	2
- 80	5253823	. . MARKER STRIP-4 POS		1
- 81	10170	. . SCREW, MACH-BIND HD 6-32 X 1/4 LG		1
- 82	5253845	. . TERMINAL BOARD- 12 POS		1
- 83	210883	. . STUD-SHIELD MTG, TAPPED, NO. 6-32	ATT PT	2
- 84	56722	. . WASHER, LOCK-EXT TEETH NO. 6	ATT PT	2
- 85	257986	. . WASHER, FLAT NO. 6	ATT PT	2
- 86	5253825	. . MARKER STRIP- 12 POS		1
- 87	5253804	. . BUS BAR-CAPACITOR		2
- 88	32042	. . SCREW, MACH-BIND HD 10-32 X 3/8 LG	ATT PT	4
- 89	236849	. . SCREW, MACH-BIND HD 10-32 X 0.250 LG	ATT PT	4
- 90	5240477	. . SHIELD, CAPACITOR		2
- 91	5253822	. . BRACKET-CAPACITOR MTG		1
- 92	438602	. . SCREW, MACH-BIND HD 10-32 X 1-1/2 LG	ATT PT	1
- 94	1143248	. . CAPACITOR, FIXED, ELECT-1500 UF 25V		2
- 95	216206	. . GUIDE-SINGLE CARD LONG		3
- 96	473547	. . SPACER, 1 X 2-3/8 IN .12 IN THK		2
- 97	5253806	. . BRACKET-CONNECTOR MTG		1
- 98	10170	. . SCREW, MACH-BIND HD 6-32 X 1/4 LG	ATT PT	2
- 99	56722	. . WASHER, LOCK-EXT TEETH NO. 6	ATT PT	2
-100	216076	. . TERMINAL BLOCK AND CONTACT ASSEMBLY		3
-101	216088	. . SPRING-CONTACT		24
-102	216087	. . SPRING-CONTACT		24
-103	216073	. . TERMINAL BLOCK AND CONTACT ASSEMBLY		3
-104	5253797	. . PLATE-POWER SUPPLY MTG		1

FOR PARTS
NOT SHOWN
SEE FIG. 65, 75
SHEET 1, 2

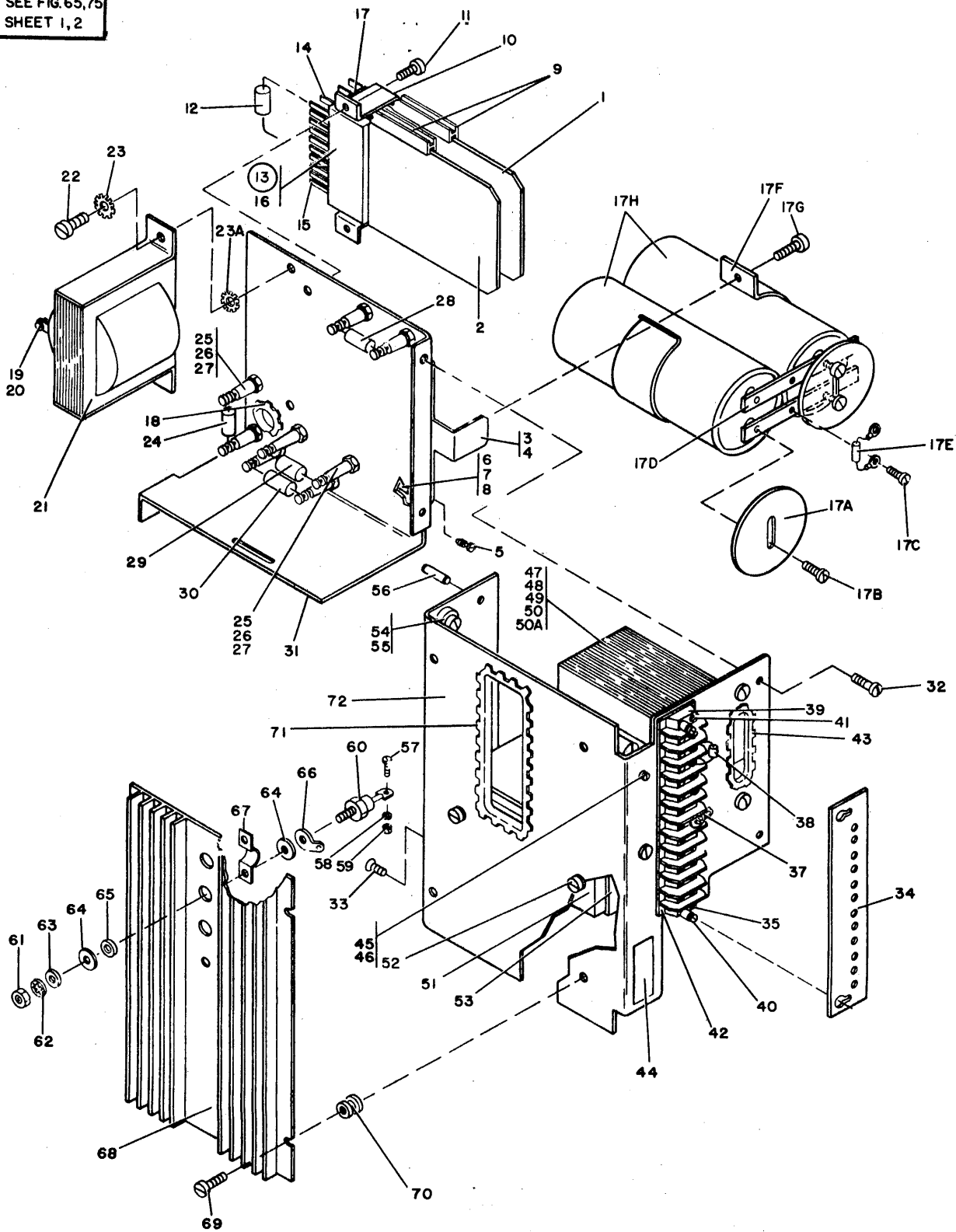


FIGURE 72. 3V AT 40 AMP MAGNETIC AMPLIFIER ASSEMBLY. SEE LIST 72.

LIST AND INDEX NUMBER	PART NUMBER	DESCRIPTION				UNITS PER ASM.	USABLE ON CODE
		1	2	3	4		
		3V AT 40A MAGNETIC AMPLIFIER ASSEMBLY					
72 -	5712020	MAGNETIC AMPLIFIER ASSEMBLY- 3V AT 40A USED PRIOR TO N9 SUFFIX SEE FIG. 65-68 AND 75-77 FOR NEXT HIGHER ASSEMBLY AND FIG. 72 FOR ILLUSTRATION				REF	
- 1	5261322	• HEAT SINK				1	
- 2	34512	• SCREW,BIND,HD 8-32 X .375 LG				4	
- 3	337549	• INSULATOR - HEAT SINK MOUNTING				4	
- 4	5213402	• RECTIFIER,SILICON				4	
- 5	160017	• NUT,PLAIN,HEX- 1/4-28 X 7/16 FL W				4	
- 6	65756	• WASHER,LOCK-INT TEETH 0.267 ID X 0.4780D				4	
- 7	3550	• WASHER,FL- 1/4 X 9/16 OD X 0.050 THK				4	
- 8	473592	• INSULATOR				3	
- 9	217017	• WASHER-INSULATING				6	
- 10	322765	• TERMINAL,LUG				1	
- 11	5261606	• JUMPER PLATE				1	
- 12	81693	• SCREW,MACH-BIND HD 6-32 X 3/8 LG				1	
- 13	38051	• NUT,PLAIN,HEX- 6-32 X 1/4 FL W STL				1	
- 14	56722	• WASHER,LOCK-EXT TEETH NO. 6				AR	
- 15	730432	• GROMMET,CATERPILLAR				1	
- 16	5261315	• ADAPTER-CAPTIVE SCREW				2	
- 17	5261314	• SCREW,CAPTIVE- 10-32 X 1/2 LG				2	
- 18	5261412	• LABEL				1	
- 19	191481	• SHIELD, TERMINAL BLOCK				1	
- 20	210984	• SCREW, RD HD MACH-6-32 X .250 LG				1	
- 21	5261627	• STUD,EXTENSION				1	
- 22	5708939	• CAPACITOR ASM- 0.100MFD P/M 10% 100VDC				1	
- 23	217077	• CAPACITOR,FXD-POLY- .1MFD P/M 10% 100VDC				1	
- 24	334921	• TERMINAL-RING,18-22 AWG,#6 HOLE,INS				2	
- 25	323839	• TERMINAL BOARD- 12 DBL SCREW TERMINALS				1	
- 26	5261626	• STUD				3	
- 27	806569	• STRIP,MARKER				1	
- 28	5738338	• RESISTOR ASSEMBLY- 12 OHM 2W				1	
- 29	5240477	• SHIELD,CAPACITOR				2	
- 30	332620	• SCREW,MACH-BIND HD 10-32 X 1/2 LG				4	
- 31	5261327	• BUS BAR				2	
- 32	236849	• SCREW,MACH-BIND HD 10-32 X 0.250 LG				4	
- 33	5261324	• BRACKET				1	
- 34	332620	• SCREW,MACH-BIND HD 10-32 X 1/2 LG				1	
- 35	5709381	• CAPACITOR,FIXED,ELECT-100,000 UF 6V				2	
- 36	5261789	• CAPACITOR ASSEMBLY,0.022UF,PORM 10 PCT				2	
- 37	473530	• BRACKET				1	
- 38	55726	• SCREW,MACH-BIND HD 6-32 X .188 LG				2	
- 39	473547	• SPACER,1 X 2 3/8 IN .12 IN THICK				1	
- 40	216207	• GUIDE-SINGLE CARD SHORT				2	
- 41	372966	• CARD				1	
- 42	374772	• CARD ASM				1	
- 43	216076	• TERMINAL BLOCK AND CONTACT ASSEMBLY				2	
- 43A	216088	• SPRING-CONTACT				8	
- 43B	216087	• SPRING-CONTACT				8	
- 44	5261316	• BRACKET, CARD RETAINING				1	
- 45	479714	• SCREW,SHLDR-FLAT HD 4-40 X 19/64 LG				1	
- 46	5261354	• SCREW,MACH,CAPTIVE- 6-32 X 3/8 LG				1	
- 47	509638	• RESISTOR,FXD 620 OHM P/M 5 PCT 2W				1	
- 48	335017	• RESISTOR,FIXED COMP 240 OHMS PM 5% 1W				1	
- 49	492448	• RESISTOR,FXD,FILM- 130 OHMS P/M 5% 2W				1	
- 50	481439	• RESISTOR,FXD,FILM- 30.9 OHMS 1PCT 1/2W				1	
- 51	533534	• TERMINAL				8	
- 52	10170	• SCREW,MACH-BIND HD 6-32 X 1/4 LG				8	
- 53	62031	• WASHER,LOCK-INT TEETH NO. 6 X 0.295 OD				8	
- 54	730432	• GROMMET,CATERPILLAR				1	
- 55	58207	• SCREW,MACH-UNDRCT BIND HD 8-32 X 1/4 LG				2	
- 56	60646	• WASHER,LOCK-INT T NO. 8				2	
- 57	5261229	• CHOKE,FILTER				1	
- 58	58207	• SCREW,MACH-UNDRCT BIND HD 8-32 X 1/4 LG				2	
- 59	60646	• WASHER,LOCK-INT T NO. 8				2	
- 60	5261317	• BRACKET				1	
- 61	55726	• SCREW,MACH-BIND HD 6-32 X .188 LG				2	
- 62	56722	• WASHER,LOCK-EXT TEETH NO. 6				2	
- 63	5261319	• PLATE				1	
- 64	186759	• SCREW,MACH-BIND HD 8-32 X 5/16 LG				2	
- 65	5261379	• PIN,STRAIGHT DOWEL				2	
- 66	5261223	• TRANSFORMER,POWER- 2500CPS 409VA				1	

FOR PARTS
NOT SHOWN
SEE FIG 65,75
SHEET 1,2

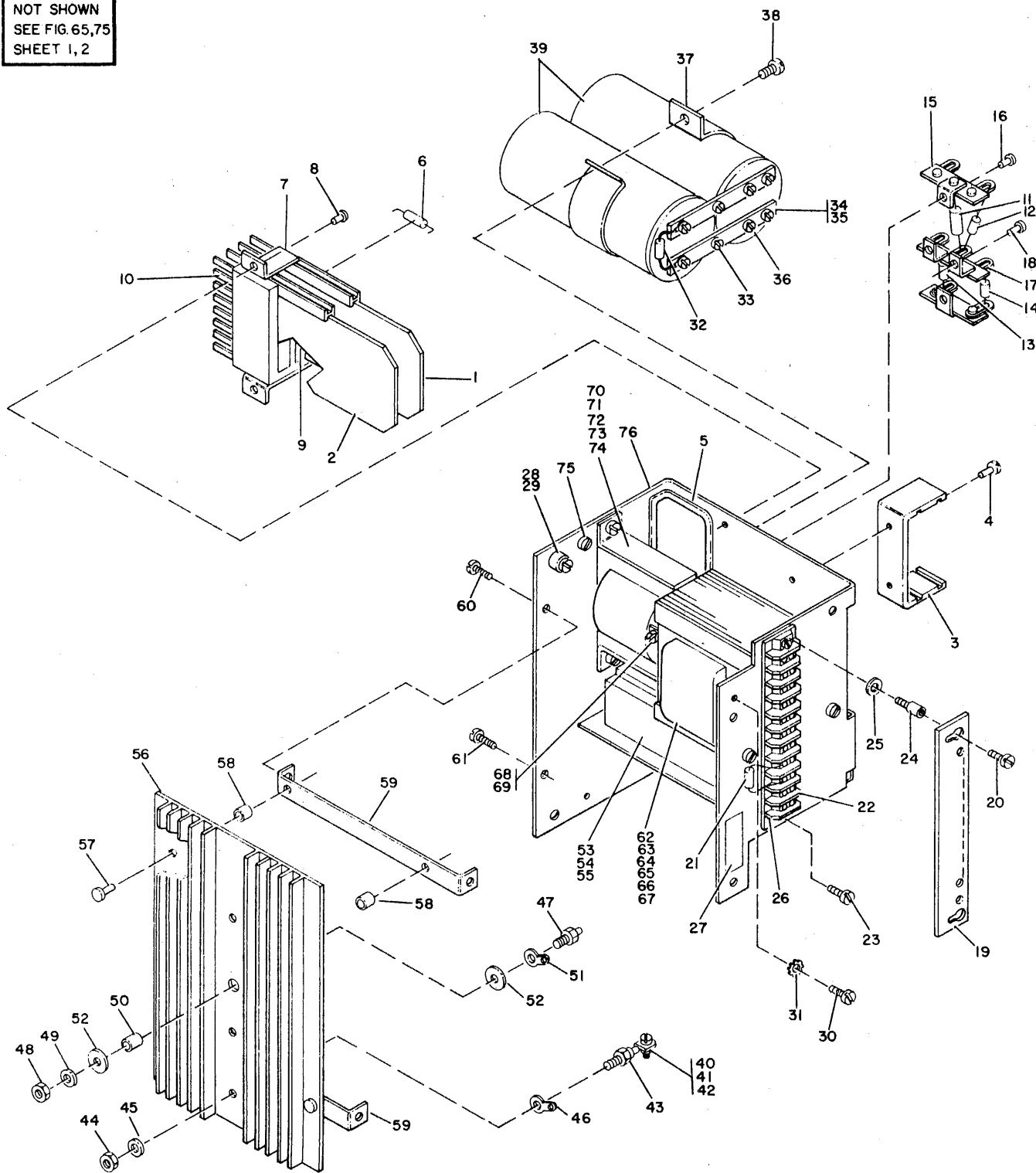


FIGURE 72A. 3 VOLT AT 40 AMP MAGNETIC AMPLIFIER ASSEMBLY. SEE LIST 72A.

LIST AND INDEX NUMBER	PART NUMBER	DESCRIPTION				UNITS PER ASM.	USABLE ON CODE
		1	2	3	4		
		3 VOLT AT 40 AMP MAGNETIC AMPLIFIER ASSEMBLY					
72A-	5712020	3V AT 40 AMP MAGNETIC AMPLIFIER ASSEMBLY USED FROM N9- SUFFIX TO CURRENT FOR NEXT HIGHER ASSEMBLY SEE FIG. 65-68 AND 75-77 FOR ILLUSTRATION SEE FIGURE 72A				REF	
- 1	372966	• CARD				1	
- 2	374772	• CARD ASM				1	
- 3	2572773	• HOLDER-CARD,SMS				1	
- 4	2572793	• RIVET				2	
- 5	518578	• RUBBER CHANNEL				AR	
- 6	5261789	• CAPACITOR ASSEMBLY, 0.022UF, PORM 10%				2	
- 7	2573845	• BRACKET				1	
- 8	2572793	• RIVET				2	
- 9	473537	• SPACER, 1 X 2-3/8 IN .12 IN THK				1	
- 10	216076	• TERMINAL BLOCK AND CONTACT ASSEMBLY				2	
- 11	509638	• RESISTOR,FXD 620 OHM P/M 5% 2W				1	
- 12	335017	• RESISTOR,FXD COMP 240 OHMS P/M 5% 1W				1	
- 13	481439	• RESISTOR,FXD,FILM- 30.9 OHMS 1% 1/2W				1	
- 14	492448	• RESISTOR,FXD,FILM- 130 OHMS P/M 5% 2W				1	
- 15	314047	• TERMINAL BOARD- 2 SOLDER LUGS				2	
- 16	2572793	• RIVET				2	
- 17	301679	• TERMINAL BOARD-STRIP TYPE 3 TERM				1	
- 18	2572793	• RIVET				2	
- 19	352825	• COVER-TERMINAL 12 ON 40				1	
- 20	10170	• SCREW,MACH-BIND HD 6-32 X 1/4 LG				2	
- 21	5708939	• CAPACITOR ASM- 0.100MFD P/M 10% 100VDC				1	
- 22	323839	• TERMINAL BOARD- 12 DBL SCREW TERMINALS				1	
- 23	81693	• SCREW,MACH-BIND HD 6-32 X 3/8 LG				2	
- 24	5762407	• STUD,TAPPED MOUNTING				2	
- 25	257986	• WASHER,FLAT NO. 6				2	
- 26	806569	• STRIP,MARKER				1	
- 27	5261412	• LABEL				1	
- 28	5261315	• ADAPTER-CAPTIVE SCREW				2	
- 29	5261314	• SCREW CAPTIVE-10-32 X 1/2 LG				2	
- 30	10170	• SCREW,MACH-BIND HD 6-32 X 1/4 LG				1	
- 31	56722	• WASHER,LOCK-EXT TEETH NO. 6				1	
- 32	5738338	• RESISTOR ASSEMBLY- 12 OHM 2W				1	
- 33	236849	• SCREW,MACH-BIND HD 10-32 X 0.250 LG				4	
- 34	5261327	• BUS BAR				2	
- 35	32617	• SCREW,MACH-BIND HD 10-32 X 0.438 LG				4	
- 36	5240477	• SHIELD,CAPACITOR				2	
- 37	5261324	• BRACKET				1	
- 38	332620	• SCREW,MACH-BIND HD 10-32 X 1/2 LG				1	
- 39	5709381	• CAPACITOR, FIXED, ELECT- 100,000 UF 6V				2	
- 40	81693	• SCREW,MACH-BIND HD 6-43 X 3/8 LG				1	
- 41	56722	• WASHER,LOCK-EXT TEETH NO. 6				1	
- 42	257187	• NUT,PLAIN,HEX- 6-32 X 3/8 FL W				1	
- 43	5213402	• RECTIFIER,SILICON				2	
- 44	160017	• NUT,PLAIN,HEX- 1/4-28 X 7/16 FL W				2	
- 45	3550	• WASHER,FL- 1/4 X 9/16 OD X 0.050 THK				2	
- 46	5762386	• TERMINAL				1	
- 47	5213402	• RECTIFIER,SILICON				2	
- 48	160017	• NUT,PLAIN,HEX- 1/4-28 X 7/16 FL W				2	
- 49	3550	• WASHER,FL- 1/4 X 9/16 OD X 0.050 THK				2	
- 50	473592	• INSULATOR				2	
- 51	5672386	• TERMINAL				2	
- 52	217017	• WASHER-INSULATION				8	
- 53	5261228	• REACTOR,SATURABLE				1	
- 54	5528	• SCREW,MACH BIND HD 8-32 X .625 LG				2	
- 55	54291	• SPACER- 0.191 ID X 3/8 OD X 3/8 THK				2	
- 56	2572766	• HEAT SINK				1	
- 57	5761907	• RIVET				4	
- 58	337549	• INSULATOR - HEAT SINK MOUNTING				4	
- 59	2572763	• BRACKET				2	
- 60	10170	• SCREW,MACH-BIND HD 6-32 X 1/4 LG				2	
- 61	38442	• SCREW,MACH-FL CSK HD 6-32 X 1/4 LG				2	
- 62	5261223	• TRANSFORMER,POWER- 2500CPS 409VA				1	
- 63	32617	• SCREW,MACH-BIND HD 10-32 X 0.438 LG				3	
- 64	45690	• WASHER,FL- NO. 10 X 7/15 OD X 1/32 THK				3	
- 65	9092	• WASHER-LOCK,SPLIT RING, .194 ID .337 OD				3	
- 66	11598	• NUT,PLAIN-HEX 10-32 X 3/8 FL W				3	
- 67	56079	• WASHER,LOCK-EXT T .195 ID .410 OD				1	
- 68	58207	• SCREW,MACH-UNDRCT BIND HD 8-32 X 1/4 LG				2	
- 69	55901	• WASHER,LOCK-EXT TEETH NO. 8 X 0.381 OD				2	
- 70	5261229	• CHOKE,FILTER				1	

FOR PARTS
NOT SHOWN
SEE FIG. 65,75
SHEET 1,2

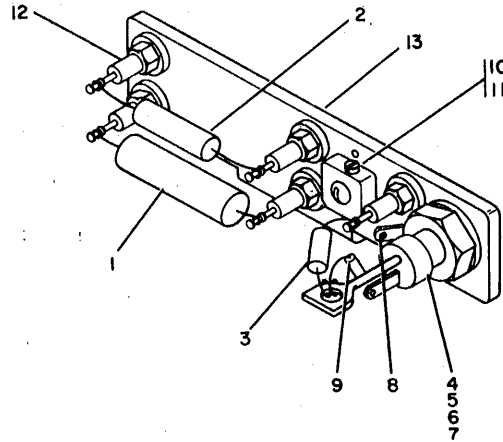


FIGURE 73. REMOTE O/V-O/C ASSEMBLY. SEE LIST 73.

LIST AND INDEX NUMBER	PART NUMBER	DESCRIPTION	UNITS	USABLE
			PER ASM.	ON CODE
		1 2 3 4		
		REMOTE O/V-O/C ASSEMBLY		
73 -	5708904	REMOTE O/V-O/C ASM SEE FIG. 65-69 AND 75-78 FOR NEXT HIGHER ASSEMBLY AND FIG 73 FOR ILLUSTRATION	REF	
- 1	207324	• RESISTOR,FXD,WW- 0.1 OHM P/M 5% 5W	1	
- 2	132784	• RESISTOR,FXD,COMP- 120 OHMS P/M 5% 1W	1	
- 3	508040	• RESISTOR,FXD,FILM- 68 OHMS P/M 5% 1/2W	1	
- 4	595256	• SEMICONDUCTOR DEVICE,D10- 5V 2 AMP	1	
- 5	160017	• NUT,PLAIN,HEX- 1/4-28 X 7/16 FL W	1	ATT PT
- 6	65756	• WASHER,LOCK-INT TEETH 0.267 ID X 0.478OD	1	ATT PT
- 7	3550	• WASHER,FL- 1/4 X 9/16 OD X 0.050 THK	1	ATT PT
- 8	322765	• TERMINAL,LUG	1	
- 9	491228	• CAPACITOR,FXD,FILM- 0.01MF P/M 10% 100V	1	
- 10	5213799	• RESISTOR-VAR WW 200 OHM 1W	1	
- 11	438539	• SCREW,MACH-UNDRCT BIND HD 2-56 X 5/16 LG	2	ATT PT
- 12	5261459	• TERMINAL,STANDOFF	5	
- 13	5266286	• BRACKET	1	

FOR PARTS
NOT SHOWN
SEE FIG. 65,75
SHEET 1, 2

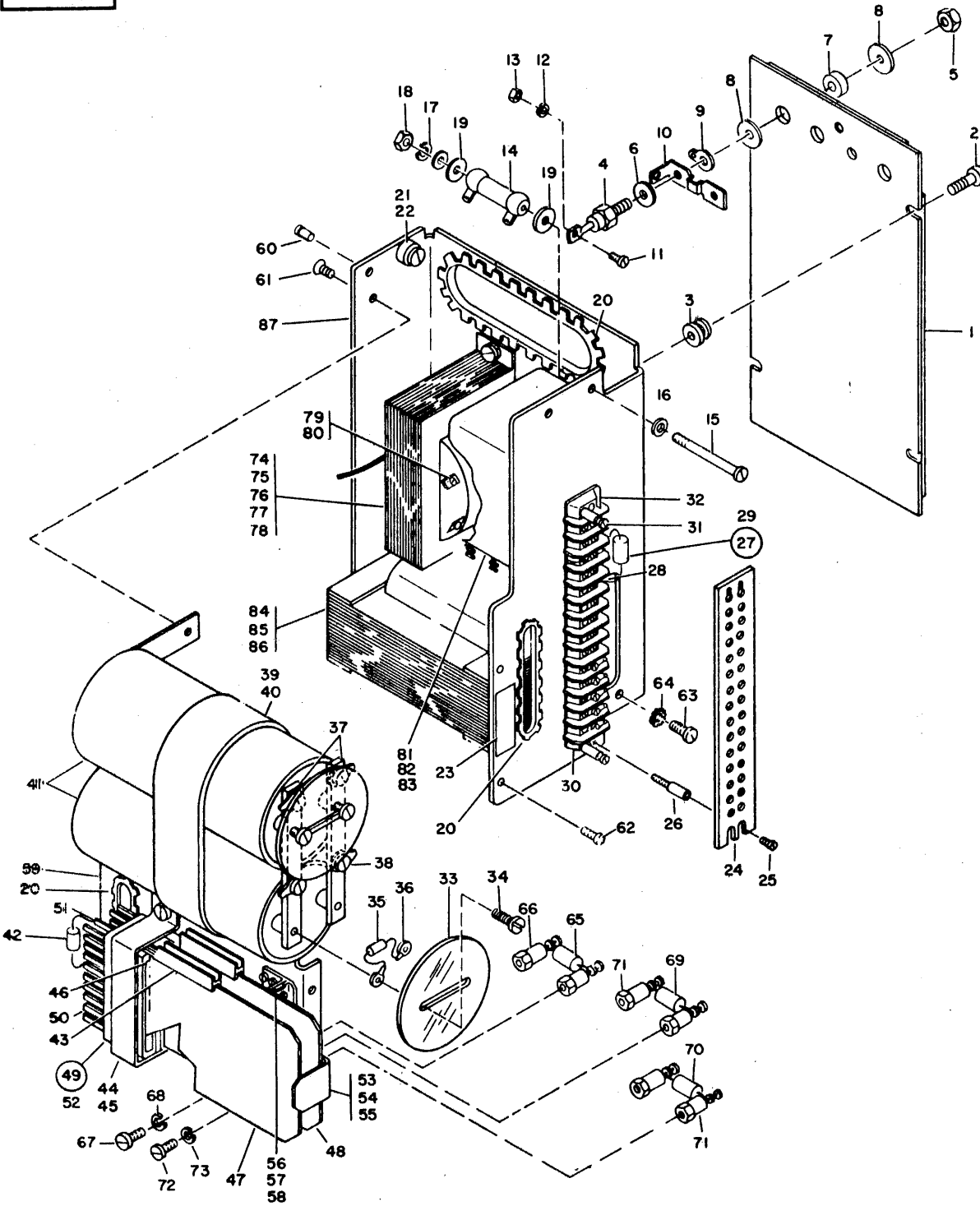


FIGURE 74. 6V AT 40 AMP MAGNETIC AMPLIFIER ASSEMBLY. SEE LIST 74.

LIST AND INDEX NUMBER	PART NUMBER	DESCRIPTION	UNITS	USABLE
			PER ASM.	ON CODE
		1 2 3 4		
		6V AT 40 AMP MAGNETIC AMPLIFIER ASSEMBLY		
74 -	5712140	MAGNETIC AMPLIFIER ASSEMBLY- 6V AT 40A SEE FIG. 65-70 AND 75-79 FOR NEXT HIGHER ASSEMBLY AND FIG. 74 FOR ILLUSTRATION	REF	
- 1	5261323	• HEAT SINK	1	
- 2	34512	• SCREW,BIND,HD 8-32 X .375 LG ATT PT	4	
- 3	337549	• INSULATOR - HEAT SINK MOUNTING	4	
- 4	5213402	• RECTIFIER,SILICON	4	
- 5	160017	• NUT,PLAIN,HEX- 1/4-28 X 7/16 FL W ATT PT	4	
- 6	3550	• WASHER,FL- 1/4 X 9/16 OD X 0.050 THK ATT PT	4	
- 7	473592	• INSULATOR	3	
- 8	217017	• WASHER-INSULATING	6	
- 9	322765	• TERMINAL,LUG	2	
- 10	5261606	• JUMPER PLATE	1	
- 11	81693	• SCREW,MACH-BIND HD 6-32 X 3/8 LG	2	
- 12	56722	• WASHER,LOCK-EXT TEETH NO. 6	1	
- 13	38051	• NUT,PLAIN,HEX- 6-32 X 1/4 FL W STL	1	
- 14	443052	• RESISTOR-WIREWOUND,350 OHMS PM 5 PCT	1	
- 15	438570	• SCREW,MACH-BIND HD 6-32 X 1-1/2 LG ATT PT	1	
- 16	257986	• WASHER,FLAT NO. 6 ATT PT	1	
- 17	62031	• WASHER,LOCK-INT TEETH NO. 6 X 0.295 OD ATT PT	1	
- 18	257187	• NUT,PLAIN,HEX- 6-32 X 3/8 FL W ATT PT	1	
- 19	203801	• INSULATOR WASH- 0.172 ID 9/16 OD 1/16THK	2	
- 20	730432	• GROMMET,CATERPILLAR	3	
- 21	5261315	• ADAPTER-CAPTIVE SCREW	2	
- 22	5261314	• SCREW,CAPTIVE- 10-32 X 1/2 LG ATT PT	2	
- 23	5261412	• LABEL	1	
- 24	533360	• COVER-TERMINAL BOARD	1	
- 25	10170	• SCREW,MACH-BIND HD 6-32 X 1/4 LG ATT PT	2	
- 26	5762407	• STUD,TAPPED MOUNTING ATT PT	2	
- 27	5708939	• CAPACITOR ASM- 0.100MFD P/M 10% 100VDC	1	
- 28	334921	• TERMINAL-RING,18-22 AWG,#6 HOLE,INS	2	
- 29	217077	• CAPACITOR,FXD-POLY- .1MFD P/M 10% 100VDC	1	
- 30	82353	• TERMINAL BOARD- 14 DBL SCREW TERMINALS	1	
- 31	35739	• SCREW,MACH-BIND HD 6-32 X 15/16 LG ATT PT	2	
- 32	620240	• INSULATOR	1	
- 33	5240477	• SHIELD,CAPACITOR	2	
- 34	236849	• SCREW,MACH-BIND HD 10-32 X 0.250 LG ATT PT	4	
- 35	216797	• RESISTOR,FXD,FILM- 24 OHMS P/M 5% 2W	1	
- 36	334932	• TERMINAL-RING,18-22 AWG,#10 HOLE,INS	2	
- 37	5261327	• BUS BAR	2	
- 38	32042	• SCREW, MACH BIND. HD 10-32 X 3/8 LG. ATT PT	4	
- 39	5261326	• BRACKET-CAPACITOR	1	
- 40	55918	• SCREW,MACH-BIND HD 10-32 X 5/8 LG ATT PT	1	
- 41	5261247	• CAPACITOR,ELEC-60,000 UF P/M 10% 8VDC	2	
- 42	5261789	• CAPACITOR ASSEMBLY,0.022UF,PORM 10 PCT	2	
- 43	216207	• GUIDE-SINGLE CARD SHORT	2	
- 44	473530	• BRACKET	1	
- 45	55726	• SCREW,MACH-BIND HD 6-32 X .188 LG ATT PT	2	
- 46	473547	• SPACER,1 X 2 3/8 IN .12 IN THICK	1	
- 47	372965	• CARD ASSEMBLY,TESTER	1	
- 48	374772	• CARD ASM	1	
- 49	216076	• TERMINAL BLOCK AND CONTACT ASSEMBLY	2	
- 50	216088	• SPRING-CONTACT	8	
- 51	216087	• SPRING-CONTACT	8	
- 52	216073	• TERMINAL BLOCK AND CONTACT ASSEMBLY	1	
- 53	5261316	• BRACKET, CARD RETAINING	1	
- 54	479714	• SCREW,SHLDR-FLAT HD 4-40 X 19/64 LG ATT PT	1	
- 55	5261354	• SCREW,MACH,CAPTIVE- 6-32 X 3/8 LG ATT PT	1	
- 56	5261317	• BRACKET	1	
- 57	10170	• SCREW,MACH-BIND HD 6-32 X 1/4 LG ATT PT	2	
- 58	56722	• WASHER,LOCK-EXT TEETH NO. 6 ATT PT	2	
- 59	5261328	• PLATE-POWER SUPPLY	1	
- 60	5261379	• PIN,STRAIGHT DOWEL ATT PT	2	
- 61	38452	• SCREW,MACH-FL CSK HD 8-32 X 5/16 LG	1	
- 62	186759	• SCREW,MACH-BIND HD 8-32 X 5/16 LG ATT PT	2	
- 63	55726	• SCREW,MACH-BIND HD 6-32 X .188 LG ATT PT	1	
- 64	56722	• WASHER,LOCK-EXT TEETH NO. 6 ATT PT	1	
- 65	335017	• RESISTOR,FIXED COMP 240 OHMS PM 5% 1W	1	
- 66	533534	• TERMINAL	2	
- 67	10170	• SCREW,MACH-BIND HD 6-32 X 1/4 LG ATT PT	2	
- 68	62031	• WASHER,LOCK-INT TEETH NO. 6 X 0.295 OD ATT PT	2	
- 69	481439	• RESISTOR,FXD,FILM- 30.9 OHMS 1PCT 1/2W	1	
- 70	492448	• RESISTOR,FXD,FILM- 130 OHMS P/M 5% 2W	1	

LIST AND INDEX NUMBER	PART NUMBER	DESCRIPTION				UNITS PER ASM.	USABLE ON CODE
		1	2	3	4		
74 - 71	533534	. TERMINAL				4	
- 72	38442	. SCREW,MACH-FL CSK HD 6-32 X 1/4 LG				4	
- 73	62031	. WASHER,LOCK-INT TEETH NO. 6 X 0.295 OD				4	
- 74	5261229	. CHOKE,FILTER				1	
- 75	38454	. SCREW,MACH-FL CSK HD 8-32 X 7/16 LG				2	
- 76	22478	. WASHER,FL- 0.170 ID 0.375 OD 0.32 THK				2	
- 77	55901	. WASHER,LOCK-EXT TEETH NO. 8 X 0.381 OD				2	
- 78	257189	. NUT,HEX- 8-32				2	
- 79	58207	. SCREW,MACH-UNDRCT BIND HD 8-32 X 1/4 LG				2	
- 80	55901	. WASHER,LOCK-EXT TEETH NO. 8 X 0.381 OD				2	
- 81	5261248	. REACTOR,SATURABLE				1	
- 82	38451	. SCREW,MACH-FL CSK HD 8-32 X 1/4 LG				1	
- 83	58207	. SCREW,MACH-UNDRCT BIND HD 8-32 X 1/4 LG				1	
- 84	5261243	. TRANSFORMER,POWER				1	
- 85	236849	. SCREW,MACH-BIND HD 10-32 X 0.250 LG				4	
- 86	56079	. WASHER,LOCK-EXT T .195 ID .410 OD				4	
- 87	5261249	. PLATE				1	

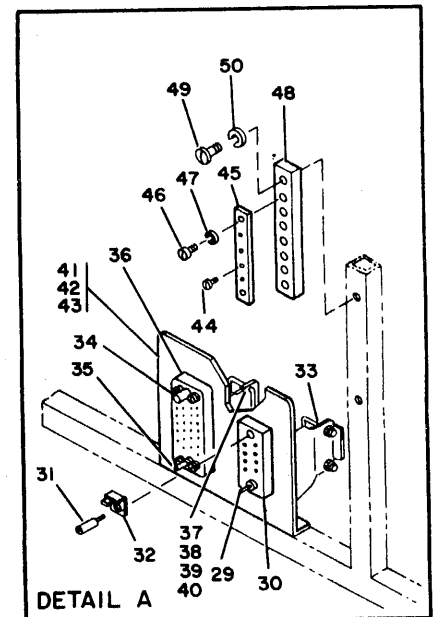
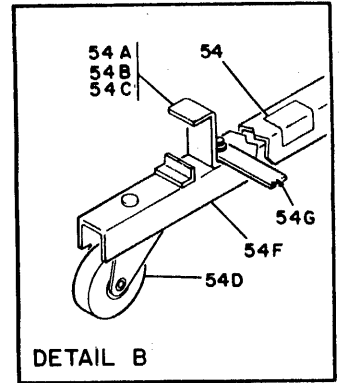
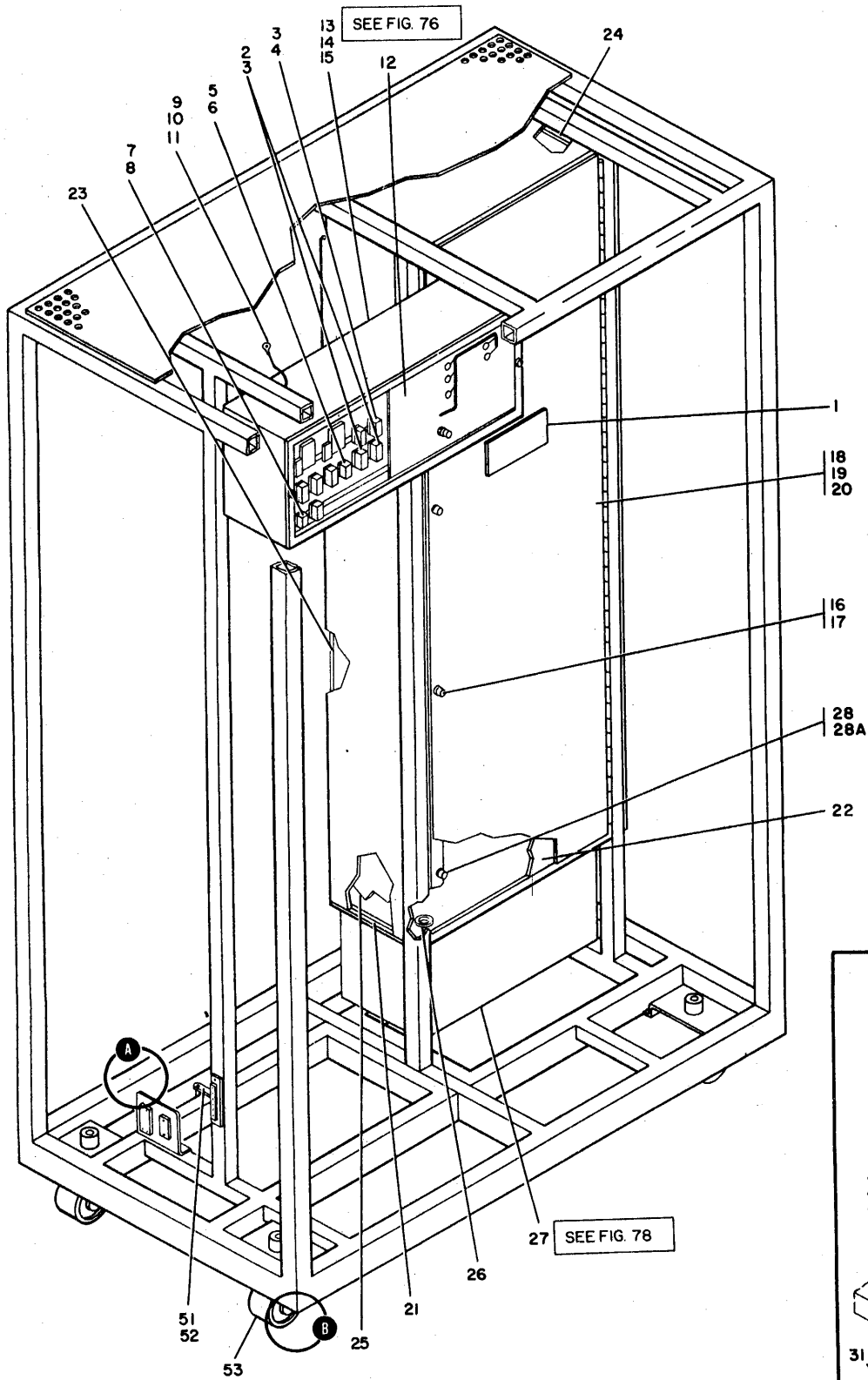


FIGURE 75. FRAME 5, 512K FINAL ASSEMBLY 50/60 HZ. SHEET 1 OF 2. INDEX NOS. 1-54G. SEE LIST 75.

LIST AND INDEX NUMBER	PART NUMBER	DESCRIPTION	UNITS PER ASM.	USABLE ON CODE
		1 2 3 4		
		FRAME 05 512K FINAL ASSEMBLY 50/60 HZ		
		CODE 1 USED ON ASM PRIOR TO N9 SUFFIX CODE 2 USED ON ASM FROM N9 TO CURRENT		
75 -	5366770	FINAL ASM, FRAME 5, 512K 50/60 HZ SEE FIG. 75 FOR ILLUSTRATION	REF	
- 1	369208	• DECAL, INST-HAZARDOUS AREA	1	
- 2	5276325	• RELAY, ENCLOSED, 18VDC	2	
- 3	5351163	• RETAINER-RELAY	7	
- 4	5351156	• RELAY, ARM-COIL 24V CONT 30V 5 AMP 6PDT	5	
- 5	5318966	• RETAINER-RELAY	1	
- 6	5213415	• RELAY, ARM-COIL 3V CONT 30V 5 AMP 4PDT	1	
- 7	5364198	• RETAINER	1	
- 8	5364164	• RELAY	1	
- 9	598273	• JUMPER ASM-POWER TO GROUND SEE FIG. 79-49 FOR COMPONENT PART	2	
- 10	58207	• SCREW, MACH-UNDRCT BIND HD 8-32 X 1/4 LG	4	ATT PT
- 11	55901	• WASHER, LOCK-EXT TEETH NO. 8 X 0.381 OD	4	ATT PT
- 12	5364663	• RELAY GATE ASSEMBLY	1	
		SEE FIG. 76 FOR DETAIL BREAKDOWN		
- 13	5276672	• ENCLOSURE-RELAY	1	
- 14	32042	• SCREW, MACH BIND. HD 10-32 X 3/8 LG.	4	ATT PT
- 15	56079	• WASHER, LOCK-EXT T .195 ID .410 OD	4	ATT PT
- 16	5271226	• STUD-CAMLOC	4	
- 17	808361	• WASHER SELF-LOCKING 300 ID	4	ATT PT
- 18	5276652	• COVER-REGULATOR TUB	1	
- 19	221790	• SCREW, MACH-BIND HD 8-32 X 3/16 LG	6	ATT PT
- 20	55901	• WASHER, LOCK-EXT TEETH NO. 8 X 0.381 OD	6	ATT PT
- 21	5366644	• INSULATION-BOTTOM	1	
- 22	5276655	• INSULATION-NOISE REGULATOR COVER	1	
- 23	5364674	• INSULATION-REAR	1	
- 24	5366648	• INSULATION-RIGHT SIDE	1	
- 25	5366647	• INSULATION-LEFT SIDE	1	
- 26	511553	• GROMMET, RUB-FOR 1 HOLE X 1/8 PNL	1	
- 27	5366768	• FAN ASSEMBLY- 60 HZ USED ON 60 HZ ONLY	1	
- 27	5366773	• FAN ASSEMBLY- 50 HZ USED ON 50 HZ ONLY SEE FIG. 78 FOR DETAIL BREAKDOWN	1	
- 28	808360	• FASTENER	4	
- 28A	179743	• NUT, PLAIN, HEX- 15/32-32 X 9/16 FL W	4	ATT PT
- 29	2122203	• PIN, GUIDE, BRASS, /SUPPLIED W/HARDWARE/	1	
- 30	2122837	• CONNECTOR, PLUG, ELECTRICAL, FEMALE	1	
- 31	2122202	• SOCKET-GUIDE	1	
- 32	2127987	• CATCH, LOCK SPG-26 POS CONNECTOR	1	
- 33	2122839	• CLAMP-STRAIN RELIEF	1	
- 34	2123028	• JACK SCREW, SOCKET, FIXED	1	
- 35	2123029	• JACKSCREW-STUD, FIXED	1	
- 36	2122257	• CONNECTOR, PLUG, ELEC-34 MALE CONTACTS	1	
- 37	2123033	• CLAMP-STRAIN RELIEF	1	
- 38	38264	• SCREW, MACH-FIL H 4-40 X 3/8 LG	2	ATT PT
- 39	338169	• WASHER, LOCK-EXT TEETH NO. 4 X .260 OD	2	ATT PT
- 40	37913	• NUT-HEX 4-40 X .250 ID	2	ATT PT
- 41	5364660	• PANEL, CONNECTOR	1	
- 42	34512	• SCREW, BIND. HD 8-32 X .375 LG	2	ATT PT
- 43	55901	• WASHER, LOCK-EXT TEETH NO. 8 X 0.381 OD	4	ATT PT
- 44	10170	• SCREW, MACH-BIND HD 6-32 X 1/4 LG	4	
- 45	596469	• BUS BAR- 4 POS 3/8 W X 1/8 H X 2-5/8 LG	1	
- 46	38352	• SCREW, MACH-FIL H 6-32 X 3/8 LG	2	ATT PT
- 47	6364	• WASHER, LOCK-SPLIT NO. 6 X 1/4 OD	2	ATT PT
- 48	596467	• INSULATOR	1	
- 49	322065	• SCREW, MACH-BIND HD 6-32 X 5/8 LG	2	ATT PT
- 50	56722	• WASHER, LOCK-EXT TEETH NO. 6	2	ATT PT
- 51	523250	• CLAMP-ADJUSTABLE CABLE	1	
- 52	38454	• SCREW, MACH-FL CSK HD 8-32 X 7/16 LG	1	
- 53	5469510	• OUTRIGGER ASSEMBLY	2	
- 54	5474701	• LABEL	1	
- 54A	5469509	• BRACKET	2	
- 54B	180072	• SCREW, CAP-SLOTTED HEX HD 5/16-18X0.875 LG	4	ATT PT
- 54C	257983	• WASHER, LOCK-SPLIT 5/16	4	ATT PT
- 54D	5477977	• CASTER	2	
- 54F	5469508	• CHANNEL	1	
- 54G	5474759	• BAR, SUPPORT-OUTRIGGER FRAME	2	

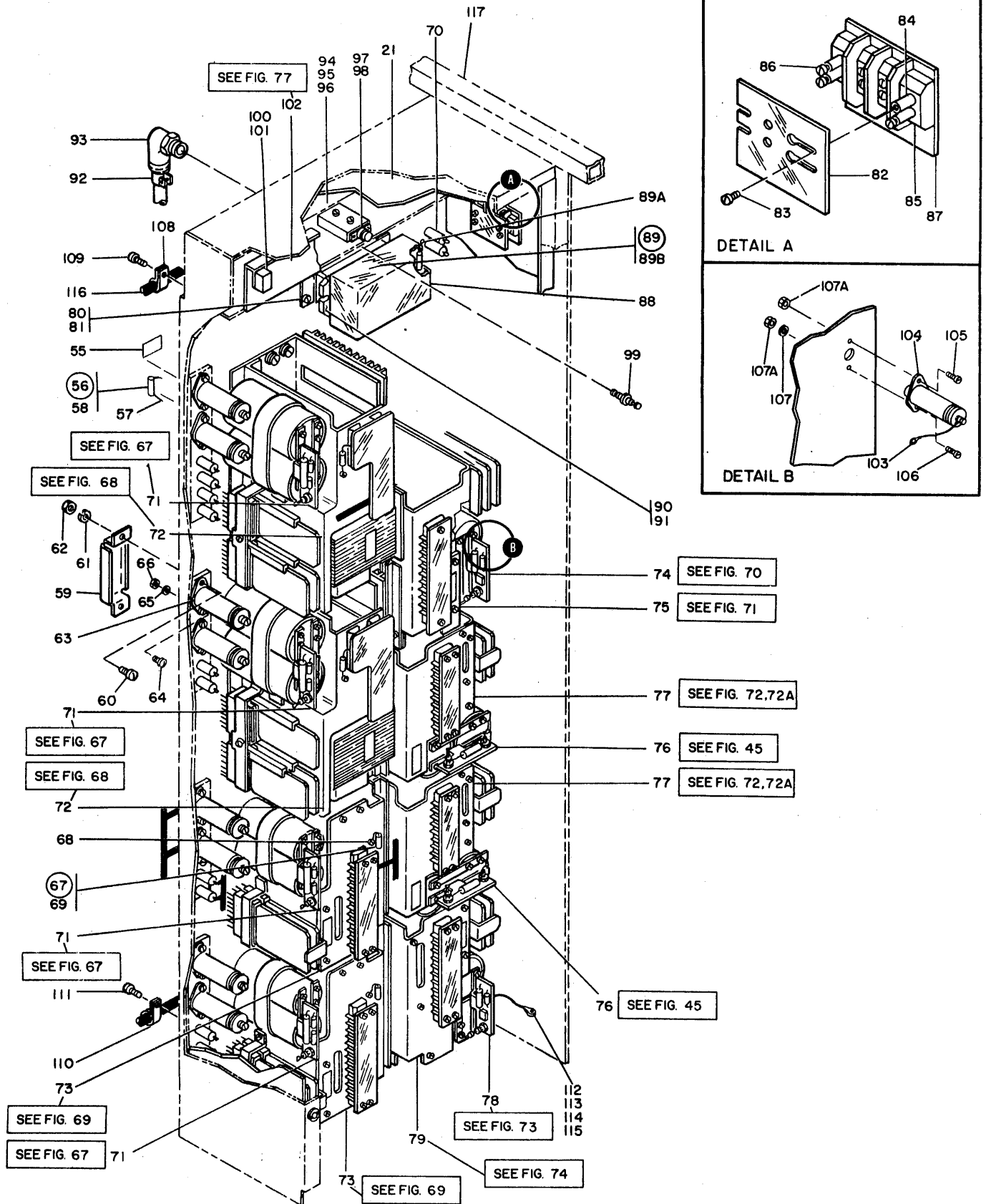


FIGURE 75. FRAME 5, 512K FINAL ASSEMBLY 50/60 HZ. SHEET 2 OF 2. INDEX NOS. 55-117. SEE LIST 75.

LIST AND INDEX NUMBER	PART NUMBER	DESCRIPTION	UNITS PER ASM.	USABLE ON CODE
75 - 55	1141554	• LABEL, SAFETY	1	
- 56	5366637	• RESISTOR ASSEMBLY- 56 OHMS, 38W	1	
- 57	359695	• • TERMINAL, RING LUG-INSULATED	1	
- 58	5247161	• • RESISTOR, FIXED-WW 0.56 OHMS P/M 1% 38W	1	
- 59	5276892	• SHIELD-CAPACITOR	4	
- 60	322065	• SCREW, MACH-BIND HD 6-32 X 5/8 LG	8	ATT PT
- 61	56722	• WASHER, LOCK-EXT TEETH NO. 6	8	ATT PT
- 62	257187	• NUT, PLAIN, HEX- 6-32 X 3/8 FL W	8	ATT PT
- 63	5364225	• CAPACITOR, FIXED, MYLAR-0.5 UF 100V	8	
- 64	35739	• SCREW, MACH-BIND HD 6-32 X 15/16 LG	8	ATT PT
- 65	56722	• WASHER, LOCK-EXT TEETH NO. 6	8	ATT PT
- 66	257187	• NUT, PLAIN, HEX- 6-32 X 3/8 FL W	8	ATT PT
- 67	5364691	• CAPACITOR ASSEMBLY	4	
- 68	334921	• • TERMINAL-RING, 18-22 AWG, #6 HOLE, INS	2	
- 69	491319	• • CAPACITOR-4700MFD 100V	1	
- 70	5213431	• CAPACITOR, FIXED-FEED THRU 0.47 UF 100V	20	
- 71	5708934	• REMOTE O/V-O/C ASSEMBLY	4	
- 72	5712180	SEE FIG. 67 FOR DETAIL BREAKDOWN • POWER SUPPLY ASSEMBLY, 60 VDC AT 8 AMPS SEE FIG. 68 FOR DETAIL BREAKDOWN	2	
- 73	5712480	• MAGNETIC AMPLIFIER ASSEMBLY, 56V AT 4 AMP SEE FIG. 69 FOR DETAIL BREAKDOWN	2	
- 74	5708932	• REMOTE O/V-O/C ASSEMBLY	1	
- 75	5712100	SEE FIG. 70 FOR DETAIL BREAKDOWN • POWER SUPPLY ASSEMBLY, 18 VDC AT 11 AMP SEE FIG. 71 FOR DETAIL BREAKDOWN	1	
- 76	5708902	• REMOTE O/V-O/C ASM SEE FIG. 45 FOR DETAIL BREAKDOWN	2	
- 77	5712020	• MAGNETIC AMPLIFIER ASSEMBLY- 3V AT 40A SEE FIG. 72 FOR DETAIL BREAKDOWN	2	1
- 77	5712020	• MAGNETIC AMPLIFIER ASSEMBLY- 3V AT 40A SEE FIG. 72A FOR DETAIL BREAKDOWN	2	2
- 78	5708904	• REMOTE O/V-O/C ASM SEE FIG. 73 FOR DETAIL BREAKDOWN	1	
- 79	5712140	• MAGNETIC AMPLIFIER ASSEMBLY- 6V AT 40A SEE FIG. 74 FOR DETAIL BREAKDOWN	1	
- 80	58207	• SCREW, MACH-UNDRCT BIND HD 8-32 X 1/4 LG	1	
- 81	55901	• WASHER, LOCK-EXT TEETH NO. 8 X 0.381 OD	1	
- 82	187467	• SHIELD, 2 POSITION	1	
- 83	210984	• SCREW, RD HD MACH-6-32 X .250 LG	1	ATT PT
- 84	210883	• STUD-SHIELD MTG, TAPPED, NO. 6-32	1	
- 85	323840	• TERMINAL BOARD- 2 DBL SCREW TERMINALS	1	
- 86	210884	• STUD-SHIELD MTG, NO. 6-32	3	
- 87	2101380	• MARKER STRIP- 2 POS NOS. 1 AND 2	1	
- 88	5276716	• COVER-SAFETY CONTACTOR	1	
- 89	5270652	• DIODE ASM	1	
- 89A	334921	• • TERMINAL-RING, 18-22 AWG, #6 HOLE, INS	2	
- 89B	2111232	• • SEMICONDUCTOR DEVICE, DIODE-TYPE AM	1	
- 90	5276703	• RELAY-24 VDC COIL	1	
- 91	58207	• SCREW, MACH-UNDRCT BIND HD 8-32 X 1/4 LG	2	ATT PT
- 92	237327	• CLAMP-CABLE	1	
- 93	465627	• ELBOW-3/4 MALE AND FEMALE	1	
- 94	5364274	• BRACKET, THERMAL SWITCH	1	
- 95	10170	• SCREW, MACH-BIND HD 6-32 X 1/4 LG	1	ATT PT
- 96	56722	• WASHER, LOCK-EXT TEETH NO. 6	1	ATT PT
- 97	5364275	• THERMAL SWITCH & BLOCK ASSEMBLY	1	
- 98	81693	• SCREW, MACH-BIND HD 6-32 X 3/8 LG	1	ATT PT
- 99	5261458	• TERMINAL-INSULATED FEED THRU	2	
-100	5351163	• RETAINER-RELAY	1	
-101	5351156	• RELAY, ARM-COIL 24V CONT 30V 5 AMP 6PDT	1	
-102	5364654	• COMPONENT ASSEMBLY SEE FIG. 77 FOR DETAIL BREAKDOWN	1	
-103	5364236	• JUMPER ASSEMBLY SEE FIG. 79-56 FOR COMPONENT PART	AR	
-104	5364225	• CAPACITOR, FIXED, MYLAR-0.5 UF 100V	8	
-105	55726	• SCREW, MACH-BIND HD 6-32 X .188 LG	8	ATT PT
-106	35739	• SCREW, MACH-BIND HD 6-32 X 15/16 LG	8	ATT PT
-107	56722	• WASHER, LOCK-EXT TEETH NO. 6	16	ATT PT
-107A	257187	• NUT, PLAIN, HEX- 6-32 X 3/8 FL W	8	ATT PT
-108	478012	• CLAMP-ADJUSTABLE CABLE	3	
-109	438573	• SCREW, MACH-FH 6-32 X 7/16 LG	3	ATT PT
-110	524515	• CLAMP-ADJUSTABLE CABLE	1	
-111	38454	• SCREW, MACH-FL CSK HD 8-32 X 7/16 LG	1	ATT PT
-112	5210704	• JUMPER ASSEMBLY	1	
-113	58207	• SCREW, MACH-UNDRCT BIND HD 8-32 X 1/4 LG	2	ATT PT
-114	55901	• WASHER, LOCK-EXT TEETH NO. 8 X 0.381 OD	2	ATT PT

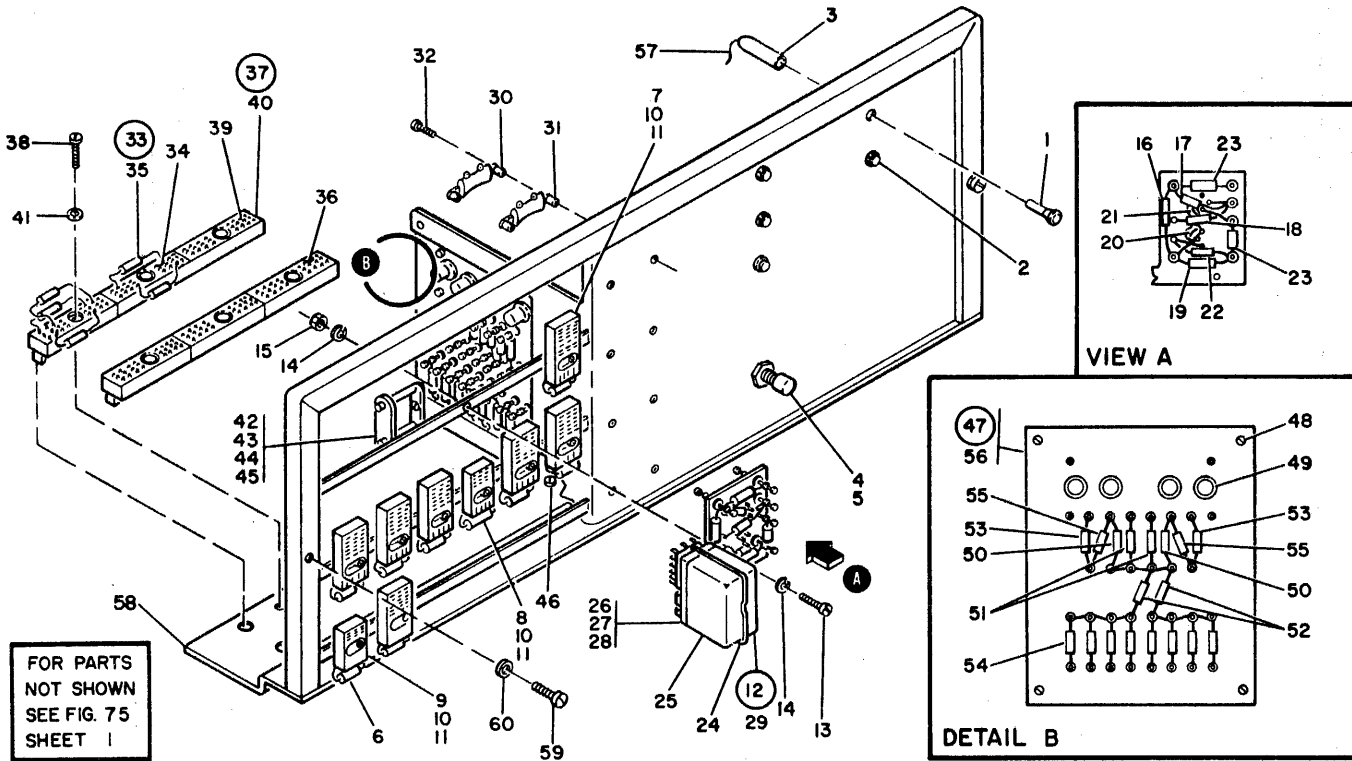


FIGURE 76. RELAY GATE ASSEMBLY. SEE LIST 76.

LIST AND INDEX NUMBER	PART NUMBER	DESCRIPTION	UNITS	
			PER ASM.	USABLE ON CODE
		1 2 3 4		
		RELAY GATE ASSEMBLY		
76 -	5364663	RELAY GATE ASSEMBLY SEE FIG. 75-12 FOR NEXT HIGHER ASSEMBLY AND FIG. 76 FOR ILLUSTRATION		REF
- 1	5376712	• INDICATOR ASSEMBLY, 24V-WHITE		2
- 2	5376713	• INDICATOR ASSEMBLY, 24V-RED		3
- 3	5353888	• HOUSING		5
- 4	189138	• KNOB-SWITCH BLACK		1
- 5	215679	• SWITCH, PUSH-NO 125V AC 1 AMP		1
- 6	2111232	• SEMICONDUCTOR DEVICE, DIODE-TYPE AM		9
- 7	5351139	• SOCKET, RELAY- 6 POSITION		7
- 8	5318967	• SOCKET, 4 POSITION RELAY		1
- 9	5364276	• SOCKET		1
- 10	438548	• SCREW, MACH-BIND HD 4-40 X 3/16 LG ATT PT		9
- 11	5364197	• GROUND-RELAY		9
- 12	5276683	• TIME DELAY ASSEMBLY		1
- 13	338238	• SCREW, MACH-BD HD 4-40 NC X .3125 LG ATT PT		1
- 14	338169	• WASHER, LOCK-EXT TEETH NO. 4 X .260 OD ATT PT		2
- 15	257186	• NUT, PLAIN, HEX- 4-40 X 5/16 FL W ATT PT		1
- 16	492475	• RESISTOR- 220K 1/4W		1
- 17	217082	• RESISTOR, FXD, COMP- 820 OHMS P/M 5% 1/4W		1
- 18	216452	• RESISTOR, FXD CARB, 2K OHM, 1/4W, 5%		1
- 19	1132587	• CAPACITOR, ELEC- 100 MFD -10% 15 VDC		1
- 20	369654	• TRANSISTOR-NPN		1
- 21	369652	• TRANSISTOR-PNP		1
- 22	597977	• DIODE, SEMICONDUCTOR- 700 OHMS 8.8V TY DT		1
- 23	2111232	• SEMICONDUCTOR DEVICE, DIODE-TYPE AM		2
- 24	5351163	• RETAINER-RELAY		1
- 25	5351156	• RELAY, ARM-COIL 24V CONT 30V 5 AMP 6PDT		1
- 26	5351139	• SOCKET, RELAY- 6 POSITION		1
- 27	438550	• SCREW, MACH-BIND HD 4-40 X 1/2 LG ATT PT		1
- 28	5364197	• GROUND-RELAY		1

FOR PARTS
NOT SHOWN
SEE FIG. 75
SHEET 2

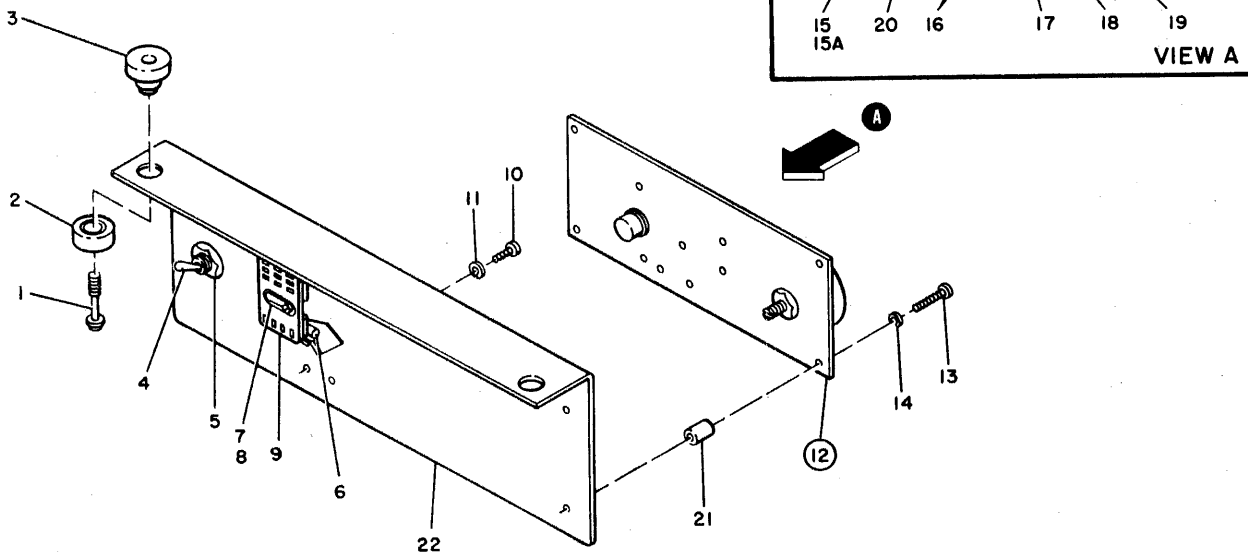


FIGURE 77. COMPONENT ASSEMBLY. SEE LIST 77.

LIST AND INDEX NUMBER	PART NUMBER	DESCRIPTION	UNITS PER ASM.	USABLE ON CODE
			1	2
		COMPONENT ASSEMBLY		
77 -	5364654	COMPONENT ASSEMBLY SEE FIG. 75-102 FOR NEXT HIGHER ASSEMBLY AND FIG. 77 FOR ILLUSTRATION	REF	
- 1	5351113	• SCREW-CAPTIVE BIND HD 10/32 X 1.0 LG	2	
- 2	5351115	• INSULATOR-BUSHING	2	
- 3	5351114	• BUSHING-CAP	2	
- 4	738827	• SWITCH-TOGGLE DPDT 20V 0.02A	1	
- 5	216323	• NUT, DRESS, KNURL- 15/32-32 X 41/64 CHROME ATT PT	1	
- 6	2111232	• SEMICONDUCTOR DEVICE, DIODE-TYPE AM	1	
- 7	5364197	• GROUND-RELAY	1	
- 8	251970	• SCREW-MACH BD. HD. 4-40 X 1/4 LG	1	
- 9	5351139	• SOCKET, RELAY- 6 POSITION	1	
- 10	10170	• SCREW, MACH-BIND HD 6-32 X 1/4 LG	1	
- 11	56722	• WASHER, LOCK-EXT TEETH NO. 6	1	
- 12	5364656	• COMPONENT ASSEMBLY	1	
- 13	438551	• SCREW, MACH-BIND HD 4-40 X 5/8 LG ATT PT	4	
- 14	338169	• WASHER, LOCK-EXT TEETH NO. 4 X .260 OD ATT PT	4	
- 15	208300	• POTENTIOMETER, 250 OHM P/M 10% 2W	1	
- 15A	846555	• WASHER, LOCK-INT TEETH 0.380 ID ATT PT	1	
- 16	317009	• RESISTOR, FXD 390 OHM P/M 5 PCT 0.5W	2	
- 17	209002	• SEMICONDUCTOR DEVICE, DIODE	1	
- 18	317433	• RESISTOR, FXD, COMP- 560 OHMS P/M 5% 1W	1	
- 19	369652	• TRANSISTOR-PNP	1	
- 20	5364657	• TERMINAL BOARD-U/V	1	
- 21	316187	• SPACER- 0.186 ID X 1/4 OD X 5/16 THK	1	
- 22	5364655	• PANEL, COMPONENT	1	

FOR PARTS
NOT SHOWN
SEE FIG. 75
SHEET 1

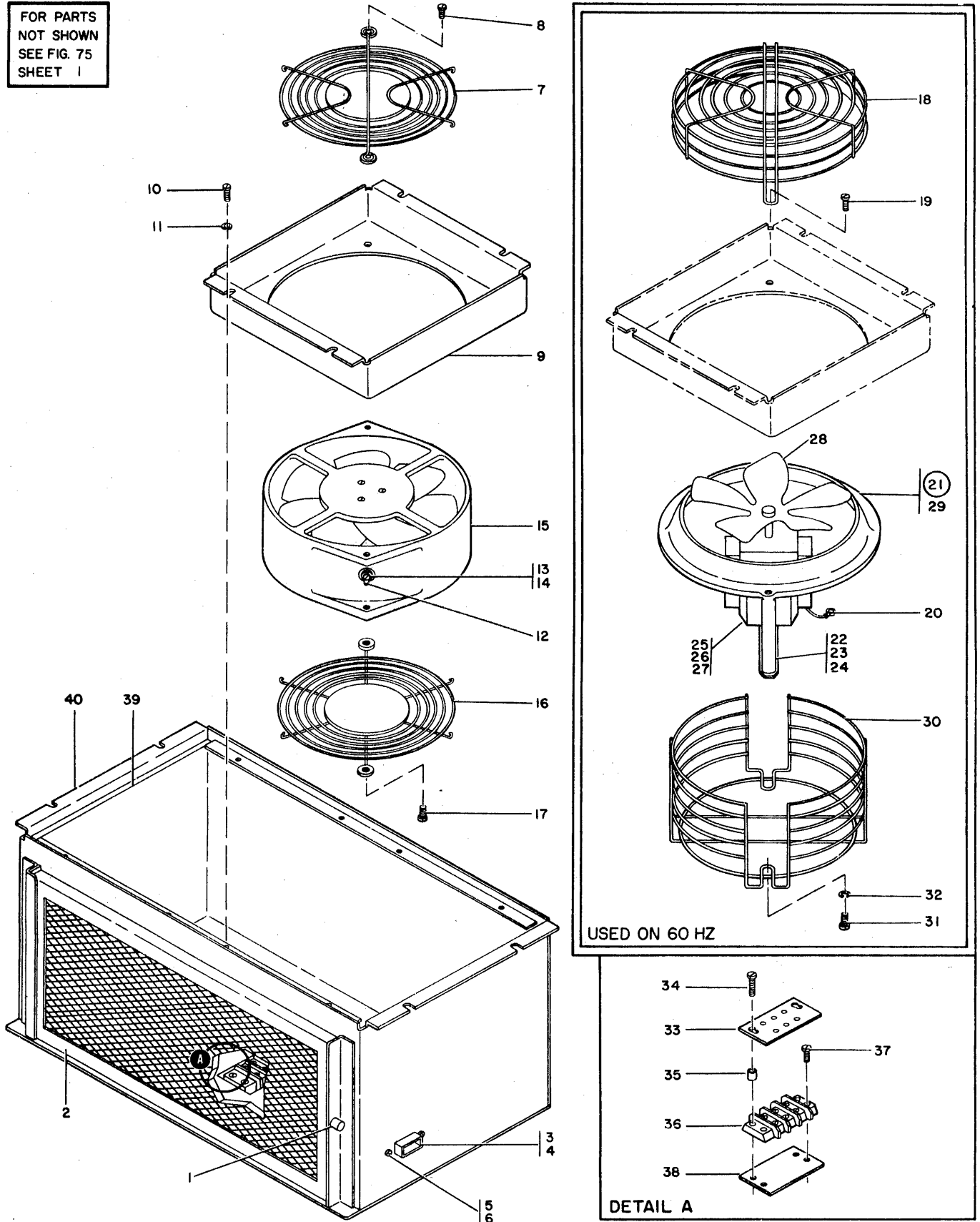


FIGURE 78. 50/60 HZ FAN ASSEMBLIES. SEE LIST 78.

LIST AND INDEX NUMBER	PART NUMBER	DESCRIPTION				UNITS PER ASM.	USABLE ON CODE
		1	2	3	4		
		50/60 HZ FAN ASSEMBLIES					
		CODE A USED ON 60 HZ CODE B USED ON 50 HZ					
78 -							
-	5366768	FAN ASSEMBLY- 60 HZ				REF	A
-	5366773	FAN ASSEMBLY- 50 HZ SEE FIG. 75-27 FOR NEXT HIGHER ASSEMBLY AND FIG. 78 FOR ILLUSTRATION				REF	B
- 1	5357135	. CATCH				1	
- 2	5366769	. FILTER, AIR				1	
- 3	5353854	. CONTACT, MALE 16-20 WIRE				AR	
- 4	5353853	. HOUSING				1	
- 5	322550	. SCREW ATT PT				2	
- 6	257187	. NUT, PLAIN, HEX- 6-32 X 3/8 FL W ATT PT				2	
- 7	4103594	. GUARD-FAN				2	B
- 8	55918	. SCREW, MACH-BIND HD 10-32 X 5/8 LG ATT PT				8	
- 9	5276674	. HOUSING-FAN				2	
- 10	58207	. SCREW, MACH-UNDRCT BIND HD 8-32 X 1/4 LG ATT PT				8	
- 11	1090873	. WASHER, LOCK, SPLIT RING- .168 ID, .296 OD ATT PT				8	
- 12	334910	. TERMINAL-RING, 14-16 AWG, #6 HOLE, INS				AR	B
- 13	10170	. SCREW, MACH-BIND HD 6-32 X 1/4 LG ATT PT				AR	
- 14	56722	. WASHER, LOCK-EXT TEETH NO. 6				AR	
- 15	4120172	. FAN- 50 HZ				2	B
- 16	4103594	. GUARD-FAN				2	B
- 17	55918	. SCREW, MACH-BIND HD 10-32 X 5/8 LG ATT PT				8	
- 18	5357059	. GUARD TOP				2	A
- 19	32042	. SCREW, MACH BIND. HD 10-32 X 3/8 LG. ATT PT				8	
- 20	359695	. TERMINAL, RING LUG-INSULATED				AR	A
- 21	5357050	. FAN ASM- 208/230V 60 HZ				2	A
- 22	5357068	. BRACKET-MOTOR MTG				1	
- 23	120211	. SCREW, MACH-HEX HD 10-32 X 1/2 LG ATT PT				2	
- 24	56079	. WASHER, LOCK-EXT T .195 ID .410 OD ATT PT				2	
- 25	5357067	. MOTOR 208V/230V 60HZ 220V 50HZ				1	
- 26	130434	. SCREW-MACH, SLOTTED HEX HD NO. 10-32 X .375 ATT PT				2	
- 27	56079	. WASHER, LOCK-EXT T .195 ID .410 OD ATT PT				2	
- 28	5357066	. BLADE				1	
- 29	5357069	. ORIFICE-FAN				1	
- 30	5357060	. GUARD 5 IN FAN				2	A
- 31	83606	. SCREW, THD CTG-BIND HD 10-32 X 5/16 LG ATT PT				8	
- 32	56079	. WASHER, LOCK-EXT T .195 ID .410 OD ATT PT				2	
- 33	352827	. COVER, TERMINAL 3 ON 141				1	
- 34	322552	. SCREW, MACH-BIND HD 6-32 X 7/8 LG ATT PT				2	
- 35	316187	. SPACER- 0.186 ID X 1/4 OD X 5/16 THK				2	
- 36	323841	. TERMINAL BOARD- 3 DBL SCREW TERMINALS				1	
- 37	35739	. SCREW, MACH-BIND HD 6-32 X 15/16 LG ATT PT				2	
- 38	589716	. STRIP-MARKER				1	
- 39	5364653	. INSULATION				1	
- 40	5366772	. ENCLOSURE, FAN MTG				1	

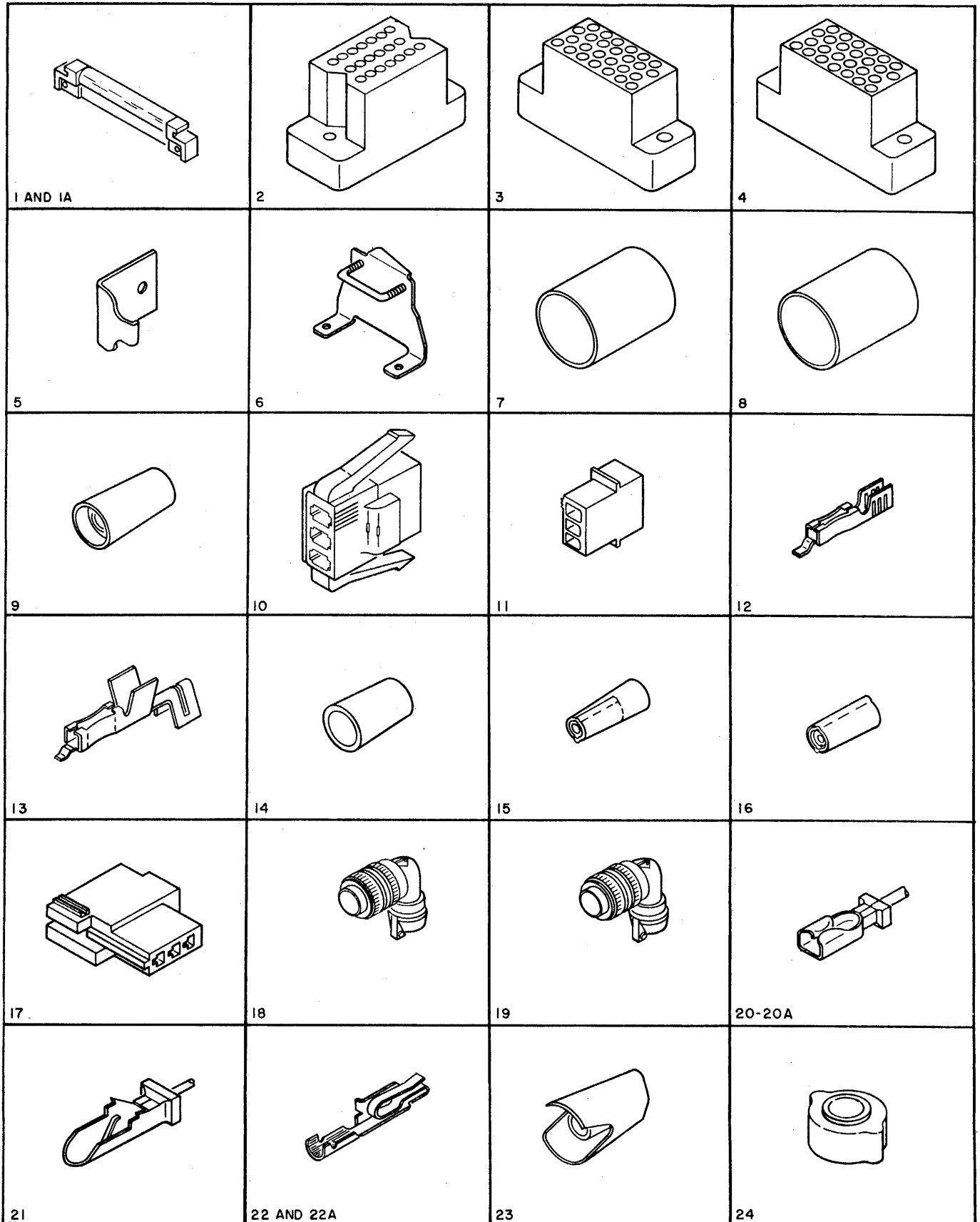


FIGURE 79. CABLE AND JUMPER ASSEMBLY COMPONENT PARTS. SHEET 1 OF 6. INDEX NOS. 1-24. SEE LIST 79.

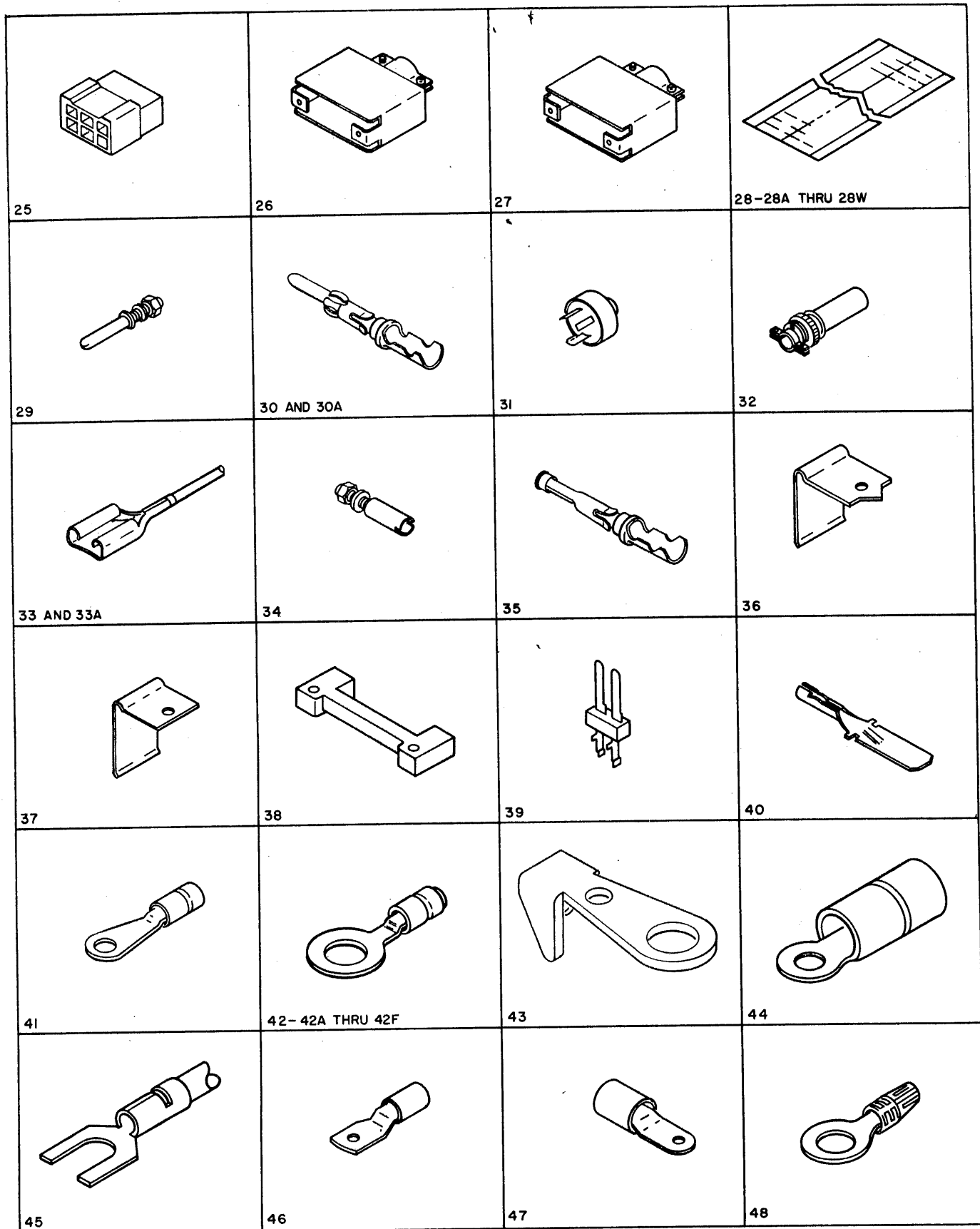


FIGURE 79. CABLE AND JUMPER ASSEMBLY COMPONENT PARTS. SHEET 2 OF 6. INDEX NOS. 25-48. SEE LIST 79.

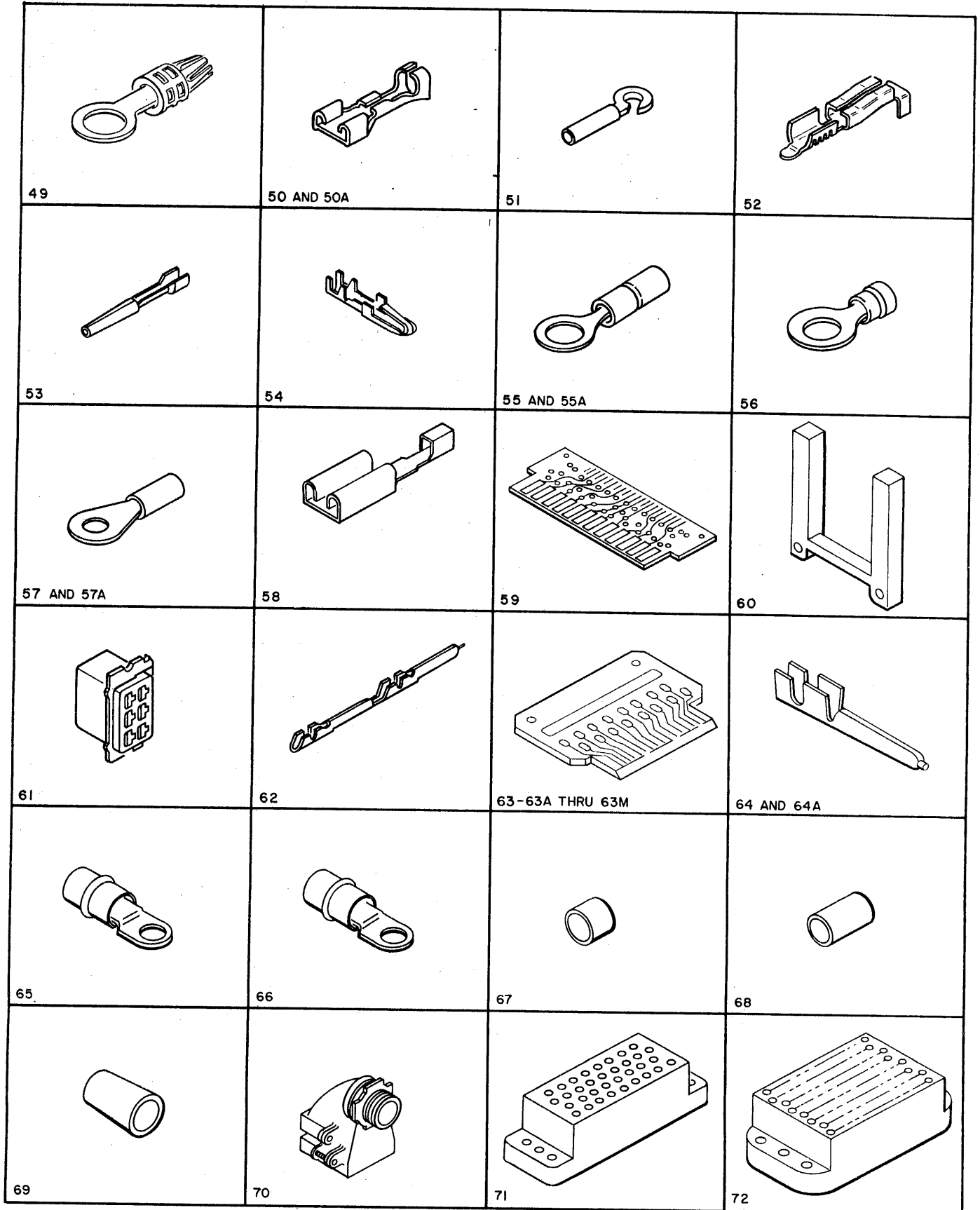


FIGURE 79. CABLE AND JUMPER ASSEMBLY COMPONENT PARTS. SHEET 3 OF 6. INDEX NOS. 49-72. SEE LIST 79.

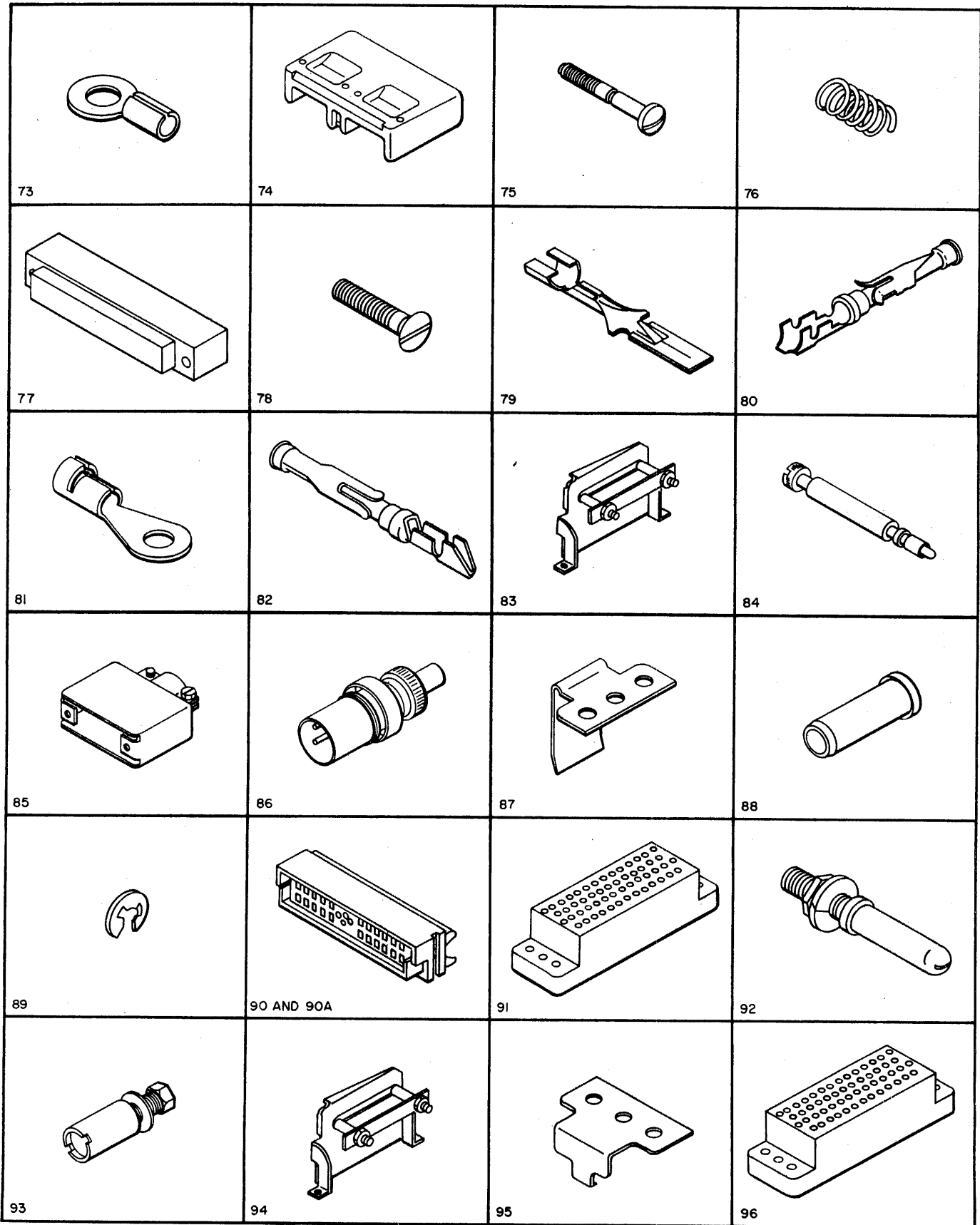


FIGURE 79. CABLE AND JUMPER ASSEMBLY COMPONENT PARTS. SHEET 4 OF 6. INDEX NOS. 73-96. SEE LIST 79.

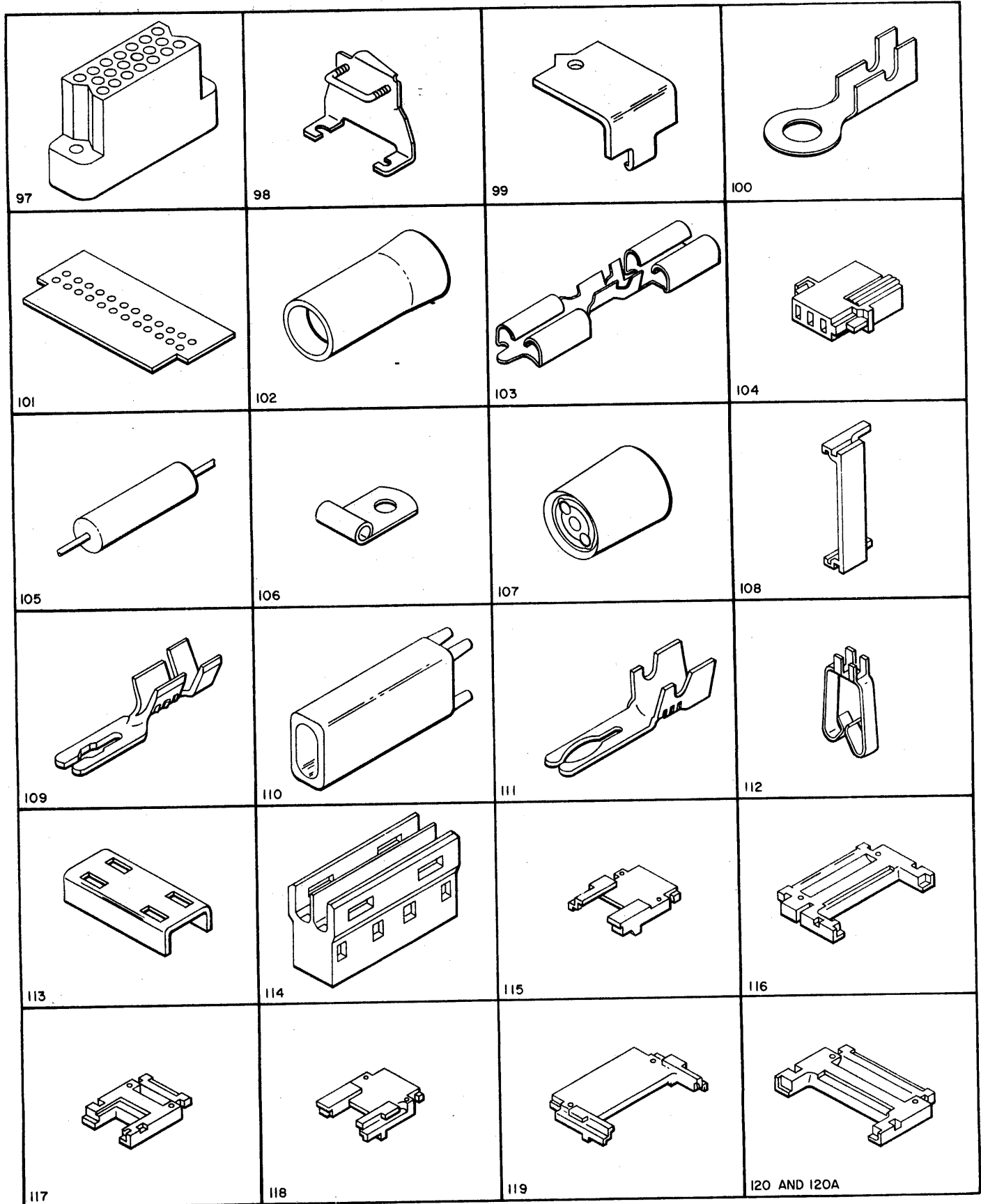


FIGURE 79. CABLE AND JUMPER ASSEMBLY COMPONENT PARTS. SHEET 5 OF 6. INDEX NOS. 97-120A. SEE LIST 79.

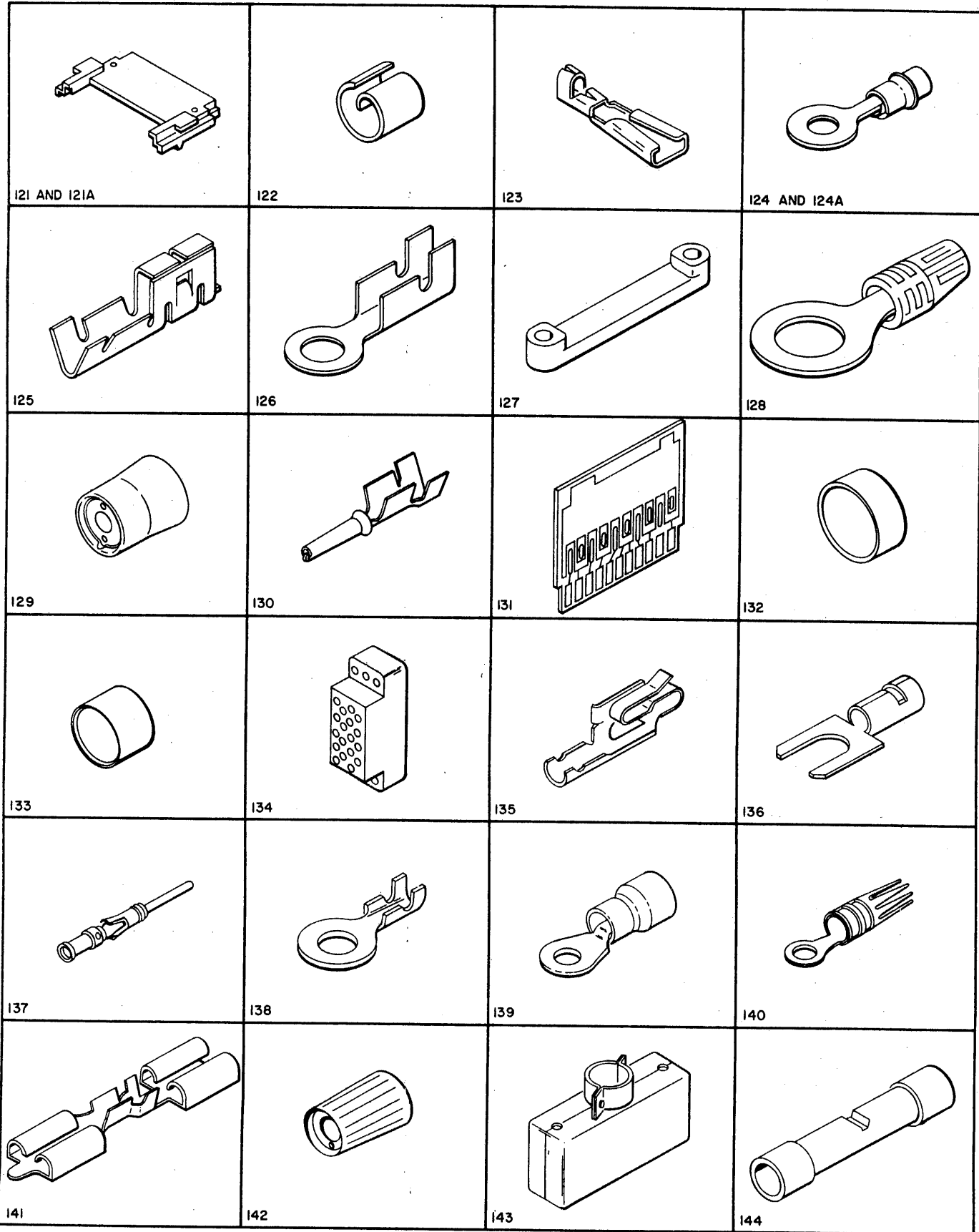


FIGURE 79. CABLE AND JUMPER ASSEMBLY COMPONENT PARTS. SHEET 6 OF 6. INDEX NOS. 121-144. SEE LIST 79.

LIST AND INDEX NUMBER	PART NUMBER	DESCRIPTION				UNITS PER ASM.	USABLE ON CODE
		1	2	3	4		
		CABLE AND JUMPER ASSEMBLY COMPONENT PARTS					
79 -	NO NO.	COMPONENT PARTS-CABLE SEE FIG. 79 FOR ILLUSTRATION				NP	
- 1	811751	• STRAIN RELIEF				AR	
- 1A	811752	• BLOCK, STRAIN RELIEF				AR	
- 2	2122255	• BLOCK, MALE- 20 POSITIONS				AR	
- 3	2122837	• CONNECTOR, PLUG, ELECTRICAL, FEMALE				AR	
- 4	2122838	• BLOCK-26 POS				AR	
- 5	2127987	• CATCH, LOCK SPG-26 POS CONNECTOR				AR	
- 6	2122839	• CLAMP-STRAIN RELIEF				AR	
- 7	350836	• SHEATH, CONNECTOR-OUTER				AR	
- 8	350837	• SHEATH, CONNECTOR-INNER				AR	
- 9	535640	• CONNECTOR, COMPRESSION, .460 LONG				AR	
- 10	725557	• CONNECTOR, PLUG- 3 CIRCUIT				AR	
- 11	725558	• CONNECTOR, CAP-3 CIRCUIT				AR	
- 12	811563	• CONNECTOR-SLIP-ON				AR	
- 13	811832	• TERMINAL LUG-NONINS 20AWG 2 WIRE SLIP-ON				AR	
- 14	2134542	• CONNECTOR, SHIELDED WIRE				AR	
- 15	2134616	• CONNECTOR, .210 WIRE HOLE				AR	
- 16	2161570	• CONNECTOR				AR	
- 17	5271721	• CONNECTOR BODY, PLUG-3 CONTACT				AR	
- 18	5276474	• CONNECTOR, PLUG, ELEC-3 MALE CONTACTS				AR	
- 19	5276475	• CONNECTOR, PLUG, ELEC-7 FEMALE CONTACTS				AR	
- 20	5351177	• TERMINAL, SLIP ON-18-22 AWG				AR	
- 20A	5353852	• CONTACT, FEMALE 16-20 WIRE				AR	
- 21	5353854	• CONTACT, MALE 16-20 WIRE				AR	
- 22	5362301	• CONTACT, LARGE SERPENT. 20-24AWG				AR	
- 22A	5404480	• CONTACT, GREAT SERPENT				AR	
- 23	188609	• FERRULE, CABLE, SHIELED				AR	
- 24	645018	• FERRULE-SHIELED WIRE 0.275 ID				AR	
- 25	523268	• HOUSING-TAB				AR	
- 26	2127895	• CATCH, LOCK SPG-14 AND 20 POS CONN				AR	
- 27	2130443	• HOOD				AR	
- 28	317296	• LABEL-NUMBERING L TO R 1 THRU 33				AR	
- 28A	317297	• LABEL, QUICK				AR	
- 28B	317298	• LABEL-NUMBERING L TO R 67 THRU 99				AR	
- 28C	317299	• LABEL-NUMBERING L TO R 100 THRU 124				AR	
- 28D	317300	• LABEL-NUMBERING L TO R 125 THRU 149				AR	
- 28E	325439	• LABEL-NUMBERING L TO R 301 THRU 450				AR	
- 28F	325440	• LABEL-NUMBERING L TO R 451 THRU 600				AR	
- 28G	334219	• LABEL-NUMBERING L TO R 150 THRU 174				AR	
- 28H	334220	• LABEL-NUMBERING L TO R 175 THRU 199				AR	
- 28J	596341	• LABEL-NUMBERING L TO R 225 THRU 249				AR	
- 28K	596342	• LABEL-NUMBERING L TO R 250 THRU 274				AR	
- 28L	596343	• LABEL-NUMBERING L TO R 275 THRU 299				AR	
- 28M	598381	• LABEL-LETTERS L TO R UP. CASE A THRU Z				AR	
- 28N	598382	• LABEL				AR	
- 28P	5327807	• LABELS-QUICK NOS. 300 THRU 324				AR	
- 28Q	5347748	• LABEL-QUICK				AR	
- 28R	5347749	• LABEL-QUICK				AR	
- 28S	5700591	• LABEL-QUICK				AR	
- 28T	5703197	• LABEL				AR	
- 28V	811825	• LABEL-CABLE				AR	
- 28W	5400709	• LABEL, QUICK				AR	
- 29	2122203	• PIN, GUIDE, BRASS, /SUPPLIED W/HARDWARE/				AR	
- 30	2122258	• PIN-CONTACT, MALE 20/22 AWG				AR	
- 30A	2127867	• PIN				AR	
- 31	624037	• PLUG				AR	
- 32	538724	• CONNECTOR, PLUG, ELECTRICAL				AR	
- 33	5213274	• TERMINAL, SLIP ON-18-22 AWG				AR	
- 33A	430798	• TERMINAL, SLIP ON- 18-20 AWG				AR	
- 34	2122202	• SOCKET-GUIDE				AR	
- 35	2122259	• TERMINAL, SOCKET CONTACT-22-20 AWG				AR	
- 36	2127984	• SPRING, LOCKING- 14 AND 20 POS CONNECTOR				AR	
- 37	2127986	• SPRING-LOCKING-26 POS CONNECTOR				AR	
- 38	5352960	• STRAIN RELIEF-COAX TWO-HI APPLICATION				AR	
- 39	5357070	• THERMAL SWITCH ASM-GATE				AR	
- 40	523255	• TERMINAL, QUICK DISCONNECT- 14/18AWG				AR	
- 41	82725	• TERMINAL, LUG-INS 6AWG 17/64 MTG HOLE				AR	
- 42	92784	• TERMINAL-RING, 18-20 AWG #8 HOLE, INS				AR	
- 42A	186968	• TERMINAL-RING, 10-12 AWG, #8 HOLE, INS				AR	
- 42B	334910	• TERMINAL-RING, 14-16 AWG, #6 HOLE, INS				AR	
- 42C	334921	• TERMINAL-RING, 18-22 AWG, #6 HOLE, INS				AR	
- 42D	334932	• TERMINAL-RING, 18-22 AWG, #10 HOLE, INS				AR	
- 42E	2101326	• TERMINAL, RING-12-10 AWG				AR	

LIST AND INDEX NUMBER	PART NUMBER	DESCRIPTION				UNITS PER ASM.	USABLE ON CODE
		1	2	3	4		
79 - 42F	2114849	• TERMINAL, RING 14-16 WIRE NO. 6 STUD				AR	
- 43	113750	• TERMINAL,LUG-NONINS 16AWG NO. 8 MTG HOLE				AR	
- 44	253740	• TERMINAL-RING,10-12 AWG,#6 HOLE,INS				AR	
- 45	313361	• TERMINAL-SPADE,20-24 AWG,#4 HOLE,NON INS				AR	
- 46	335327	• TERMINAL,LUG- SCREW SIZES 8 THRU 10				AR	
- 47	335970	• TERMINAL,LUG- 8 AWG 1/4 MTG HOLE				AR	
- 48	359695	• TERMINAL,RING LUG-INSULATED				AR	
- 49	360370	• TERMINAL-WIRE RING TONGUE				AR	
- 50	523267	• TERMINAL,QUICK DISCONNECT- 14/18AWG				AR	
- 50A	1127037	• TERMINAL,SLIP ON-16-18 AWG				AR	
- 51	526048	• TERMINAL,LUG-14-16 AWG NO. 8 MTG SLOT				AR	
- 52	596255	• TERMINAL,SLIP-ON				AR	
- 53	600844	• TERMINAL, SMALL TAPER, 55-24 AWG				AR	
- 54	609687	• CONTACT				AR	
- 55	806715	• TERMINAL,LUG-INS 22/26AWG NO. 8 MTG HOLE				AR	
- 55A	253453	• TERMINAL-RING,22-26 AWG,#6 HOLE,INS				AR	
- 56	124439	• TERMINAL,RING-10 AWG				AR	
- 57	2101327	• TERMINAL,LUG-INS 10/12AWG 1/4 MTG HOLE				AR	
- 57A	339156	• TERMINAL,SLIP ON				AR	
- 58	5276375	• TERMINAL LUG-NONINS 20-18AWG SLIP-ON				AR	
- 59	5800610	• CARD ASM-TERMINATOR				AR	
- 60	5352967	• STRAIN RELIEF, 20 STRANDS-.05 DIA				AR	
- 61	523269	• CONNECTOR-ELECT 6 POS INSERT				AR	
- 62	802570	• TERMINAL,LUG-TAPER 18/20AWG 0.617 LG OA				AR	
- 63	5815828	• CARD				AR	
- 63A	5800659	• CARD ASSEMBLY				AR	
- 63B	5800660	• CARD ASM				AR	
- 63C	5800662	• CARD ASSEMBLY				AR	
- 63D	5800664	• CARD ASSEMBLY				AR	
- 63E	5800665	• CARD ASM				AR	
- 63F	5800666	• CARD ASSEMBLY				AR	
- 63G	5800667	• CARD ASM				AR	
- 63H	5800668	• CARD ASM				AR	
- 63J	5800669	• CARD ASSEMBLY				AR	
- 63K	5800670	• CARD ASSEMBLY				AR	
- 63L	5800677	• CARD ASM				AR	
- 63M	5800674	• CARD ASM				AR	
- 64	187243	• TERMINAL,SMALL TAPER				AR	
- 64A	360433	• TERMINAL-PLUG,16-18 AWG				AR	
- 65	511544	• TERMINAL,LUG-INS 6AWG NO. 10 MTG HOLE				AR	
- 66	335971	• TERMINAL,LUG-INSULATED BARREL,NO. 10-12				AR	
- 67	2152788	• FERRULE,.453 OUTSIDE AND .400 INSIDE DIA				AR	
- 68	2152789	• FERRULE,.337 OUTSIDE AND .297 INSIDE DIA				AR	
- 69	535640	• CONNECTOR,COMPRESSION,.460 LONG				AR	
- 70	458813	• CLAMP				AR	
- 71	2122256	• CONNECTOR,RECP,ELEC-34 FEMALE CONTACTS				AR	
- 72	2122628	• JACKSOCKET-LONG SHIELD TYPE				AR	
- 73	1092019	• CLIP				AR	
- 74	5362306	• COVER,CONNECTOR BLOCK				AR	
- 75	5362308	• SCREW				AR	
- 76	1105806	• SPRING				AR	
- 77	5353896	• STRAIN RELIEF ASSEMBLY				AR	
- 78	438560	• SCREW-MACH-FLAT H 4-40 X 1 LG				AR	
- 79	827991	• TERMINAL,QUICK DISCONNECT				AR	
- 80	2122261	• SOCKET, CONTACT-18-16 AWG				AR	
- 81	187459	• TERMINAL,LUG-NONINS 20AWG NO.8 MTG HOLE				AR	
- 82	2127890	• SOCKET-CONTACT AWG 26-24				AR	
- 83	2123033	• CLAMP-STRAIN RELIEF				AR	
- 84	2122629	• JACK,SCREW,HAND-LONG SHIELD TYPE				AR	
- 85	2127893	• HOOD-180 DEG 2 PIECE 34 POSITION				AR	
- 86	719495	• CONNECTOR-30AMP				AR	
- 87	2127988	• SPRING,LOCKING-30 AND 50 POS CONNECTOR				AR	
- 88	595720	• RIVET, ROLLED FLANGE				AR	
- 89	264641	• RING,RETAINING-EXT 0.114 ID X 0.025 THK				AR	
- 90	5353867	• BLOCK, CONNECTOR-A STYLE				AR	
- 90A	5353869	• CONNECTOR BLOCK				AR	
- 91	2122472	• CONNECTOR, 50 PLACE FEMALE				AR	
- 92	2122734	• PIN,GUIDE CORNER 34 AND 50 POSITION				AR	
- 93	2122735	• PIN-SOCKET GUIDE				AR	
- 94	2123034	• CLAMP, CABLE 50 PLACE				AR	
- 95	2127989	• CATCH-LOCKING SPRING				AR	
- 96	5353868	• BLOCK, CONNECTOR-B STYLE				AR	
- 97	2122254	• BLOCK, FEMALE- 20 POSITIONS				AR	
- 98	2123032	• CLAMP, STRAIN RELIEF- 20 POSITIONS				AR	
- 99	2127985	• CATCH,LOCKING SPRING- 14 AND 20 POS CONN				AR	
-100	186960	• TERMINAL,RING				AR	

LIST AND INDEX NUMBER	PART NUMBER	DESCRIPTION	UNITS	USABLE
			PER ASM.	ON CODE
79	-101 5805019	• CARD ASSEMBLY, ARRAY CONNECTOR	AR	
	-102 559275	• CONNECTOR-SHEATH, OUTER INSULATED	AR	
	-103 5412817	• TERMINAL, QUICK DISCONNECT- 20-24 AWG	AR	
	-104 5369646	• CONTACT, ELECTRICAL	AR	
	-105 2414891	• DIODE	AR	
	-106 5366663	• TERMINAL	AR	
	-107 523171	• FERRULE, CABLE, SHIELEDED-INSULATED-18 AWG	AR	
	-108 811802	• GUIDE-CARD	AR	
	-109 813194	• CONNECTOR, DISCRETE 20-18 AWG	AR	
	-110 813197	• HOUSING-TERMINAL	AR	
	-111 813195	• CONNECTOR, DISCRETE 26-24-22 AWG	AR	
	-112 813681	• CONTACT	AR	
	-113 813802	• COVER	AR	
	-114 813801	• HOUSING	AR	
	-115 813807	• STRAIN RELIEF	AR	
	-116 815205	• BRACKET, CONNECTOR	AR	
	-117 813805	• STRAIN RELIEF	AR	
	-118 813806	• STRAIN RELIEF	AR	
	-119 815204	• BRACKET, CONNECTOR	AR	
	-120 813350	• BLOCK, STRAIN RELIEF	AR	
	-120A 813803	• BLOCK, STRAIN RELIEF	AR	
	-121 813351	• BLOCK, STRAIN RELIEF	AR	
	-121A 813804	• BLOCK, STRAIN RELIEF	AR	
	-122 352870	• LABEL, QUICK	AR	
	-123 259009	• TERMINAL, SLIP ON-22-24 AWG	AR	
	-124 322025	• TERMINAL-RING, 14-16 AWG, 1/4 HOLE, INS	AR	
	-124A 334768	• TERMINAL, RING-16-22 AWG 1/4 MTG HOLE	AR	
	-125 216265	• TERMINAL, QUICK DISCONNECT-NONINS 20 AWG	AR	
	-126 186959	• TERMINAL-RING, 14-16 AWG #8 HOLE, NON INS	AR	
	-127 5353922	• CLAMP	AR	
	-128 504879	• TERMINAL, RING-6-10 AWG 10 MTG HOLE	AR	
	-129 2160821	• TERMINATOR, SHIELD INSULATED	AR	
	-130 803125	• TERMINAL, TAPER PLUG	AR	
	-131 5800530	• CARD ASSEMBLY	AR	
	-132 5271723	• CONNECTOR-SHEATH OUTER	AR	
	-133 5271724	• CONNECTOR, RECEPTACLE	AR	
	-134 2122471	• CONNECTOR, PLUG, ELECTRICAL-MALE, 50 CONT	AR	
	-135 5362302	• CONTACT, SMALL SERPENT	AR	
	-137 2122260	• TERMINAL, PIN CONTACT-18-16 AWG	AR	
	-138 257284	• TERMINAL-RING, 16 AWG, #10 HOLE, NON INS	AR	
	-139 356705	• TERMINAL, LUG-NONINS 14-16AWG NO.8 MTG SL	AR	
	-140 186596	• TERMINAL-RING LUG INSULATED	AR	
	-141 731058	• RECEPTACLE	AR	
	-142 555432	• UNIRING, INSULATED	AR	
	-143 2127859	• HOOD	AR	
	-144 360363	• CONN, BUTT- 14AWG BLUE INS		

PART NO.	LIST AND INDEX NO.	PART NO.	LIST AND INDEX NO.	PART NO.	LIST AND INDEX NO.	PART NO.	LIST AND INDEX NO.
71	1 -304	4636-CONT	47 - 89	9092-CONT	33B- 82	10170-CONT	52 - 36
119	15 - 24		51 - 59		35 - 30		52 - 44
	21 - 13		51A- 56		35 -119		53 - 51
	50 - 82		55 - 83		35 -141		53 - 91
	51 - 50		72 - 71		41 -314		54 - 3
	53 - 78	5528	1 - 30		47A- 59		54 - 31
	54 - 85		1 - 40		65 - 7		54 - 37
	68 -101		1 - 87		65 - 90		54 - 45
	71 - 70		1 -113		72A- 65		54 - 65
203	22 - 46		1 -291	10170	4 - 21		54 - 91
	24 - 22		1 -325		5 - 25		55 - 26
	24A- 1		20 - 240		5 - 47		55 - 59
232	4 - 17		35 - 89		8 - 2		55 - 71
266	13 - 4		47A- 70		8 - 7		55 - 77
337	43 - 80		72A- 54		9 - 15		58 - 2
	50 - 23	5644	1 -289		22 - 18		60 - 13
	53 - 24		1 -323		22 - 42		63 - 23
	54 - 28		27 -155		23 - 3		65 - 38
	68 - 27	5677	2 - 18		23 - 5		65 - 51
	71 - 24		2 - 26		23 - 10		65 - 57
367	1 - 62		4 - 10		23 - 32A		66 - 46
	1 - 67	6325	41A- 5		25 - 49		66 - 64
	1 -102	6364	12 - 31		25 - 80		68 - 52
	1 -320		12 - 37		26 - 40		68 - 68
	50 - 39		21 - 47		27 - 9		68 - 98
	71 - 34		23 - 4		27 -178		69 - 50
453	15 - 17G		23 - 6		29 - 40		69 - 55
909	33A- 91		23 - 15		29 - 46		69 - 71
2300	29 - 6		23 - 32B		29 - 50		71 - 6
	30 - 6		23 - 39		30 - 15		71 - 66
3550	7 - 60		26 - 24		30 - 39		71 - 81
	15 - 50		26 - 41		30 - 44		71 - 98
	15 - 52		27 -156		30 - 48		72 - 52
	15 -118		31 - 10		31 - 15		72A- 20
	15 -157		31 - 16		33B- 2		72A- 30
	21 -109		33B- 49C		35 - 48		72A- 60
	27 -164		35 - 68		35 - 70		74 - 25
	33 - 46		35 - 71		36 - 2		74 - 57
	33A- 42		41 -160		41 - 29		74 - 67
	35 -136		41 -163		41 - 42		75 - 44
	43 - 22		41 -172		41 - 46		75 - 95
	44 - 8		47A- 66		41 - 59		76 - 46
	45 - 7		56 - 2		41 - 82		77 - 10
	46 - 8		56 - 61		41 - 89		78 - 13
	47 - 15		65 - 82		41 -100		54 - 61
	47A- 19		65 -159		41 -117	10295	15 - 5
	48 - 16		66 - 47		41 -125	10309	15 - 17G
	48 - 28		72A- 72		41 -138		15 - 17H
	49 - 24		75 - 47		41 -200	11598	15 - 178
	50 - 15	6935	15 - 8		41 -219		15 - 22
	51A- 64		15 - 63		41A- 3		16 - 17
	53 - 15		15 - 72		41A- 11		21 - 6
	53 - 28		15 -119		41A- 13		33 - 95
	54 - 19		21 - 52		41A- 33		33B- 81
	67 - 7		27 -131		43 - 4		34 - 8
	68 - 18		27 -163		43 - 18		35 -102C
	68 - 34		29 - 69		43 - 30		35 -120
	70 - 9		30 - 74		47 - 59		35 -140
	71 - 20		33B- 6		47 - 63		36 - 47
	72 - 7		33B- 85		47A- 3		43 - 78
	72A- 45		35 -137		47A- 12		47A- 61
	72A- 49		36 - 6		47A- 27		50 - 13
	73 - 7		65 -164		48 - 68		50 - 19
	74 - 6	8447	21 - 8		48 - 73		50 - 39
3960	5 -104	9092	15 - 21		49 - 4		71 - 37
	15 - 42		15 - 45		49 - 58		72A- 66
	15 -126		15 -136		49 - 62	11891	36 -110
	25 - 2		15 -141		50 - 3		51 - 68
	27 -126		15 -149		50 - 29		52 - 52
	30 - 26		21 - 5		50 - 32		54 - 24
	33B- 44		21 - 60		50 - 51		55 - 17
	35 -138		33 - 49		50 - 77		68 - 23
	36 - 61		33 - 53		50 - 94		69 - 18
	41 -305		33 - 57		51 - 5A		71 - 13
	53 - 30		33 - 64		51 - 31	15484	54 - 20
	68 - 36		33 - 94		51 - 55	15887	1 -164
4553	15 - 4		33 -105		51A- 29		27 -108
4636	13 - 41		33A- 45		51A- 34	18004	7 - 62
	41 -291		33A- 49		51A- 53	18272	33B- 78
	41 -293		33A- 53		52 - 29	19587	62 - 2

PART NO.	LIST AND INDEX NO.	PART NO.	LIST AND INDEX NO.	PART NO.	LIST AND INDEX NO.	PART NO.	LIST AND INDEX NO.
19944	41 -287	32042-CONT	2 - 21	34512-CONT	5 - 22	37989	65 -121
22349	15 - 17H		2 - 23		5 - 27	38051	47 - 22
22478	1 - 51		2 - 31		5 - 56		48 - 23
	1 - 95		2 - 33		5 - 59		49 - 22
	12 - 14		15 - 96		5 - 75		51A- 61
	12 - 19		15 -114		5 - 78		72 - 13
	15 - 58		15 -130		5 - 82		74 - 13
	15 -104		15 -151		5 - 85	38235	27 - 36
	21 - 66		18 - 60H		5 - 94		338- 61
	21 - 91		19 - 36		5 - 97		35 - 64
	27 -148		20 - 24A		12 - 13		35 - 99
	33 - 42		21 - 26		12 - 29		36 - 51
	33A- 39		30 - 12		15 -103		36 - 94
	338- 28		33 - 48		18 - 60B		43 - 1
	36 - 35		33 - 56		19 - 43		47 - 67
	48 - 81		33 - 61		20 - 24G		47 - 71
	49 - 74		33 - 63		20 - 63		51A- 59
	50 - 73		33A- 44		20 - 66		76 - 48
	50 - 84		33A- 52		21 - 24	38264	75 - 38
	51 - 52		33B- 55		21 - 65	38265	58 - 30
	51 - 53		34 - 19		21 - 90	38266	60 - 8
	51 - 60		35 - 6		27 - 10		63 - 10
	51A- 51		35 -102A		27 -167	38348	33B- 59
	52 - 80		35 -115		29 - 23		36 -125
	53 - 79		39 - 13		30 - 29	38350	41 -162
	54 - 87		40 - 13		32 - 6	38351	41 -119
	55 - 30		41 -266		36 - 80		41 -127
	55 - 64		41 -285		36 - 91		65 - 40
	68 -102		48 - 46		41 -104B	38352	27 -152
	71 - 48		49 - 37		41 -203		75 - 46
	71 - 71		51 - 17		41 -235	38354	22 - 7
	74 - 76		51A- 14		41 -271		27 -111
24107	15 - 10		55 - 38		47 - 24	38391	17 - 23
	21 - 16		65 - 44		48 - 30		18 - 38
	21 - 87		71 - 88		49 - 31		19 - 47
25627	5 - 35		74 - 38		51 - 77		20 - 11
	5 - 38		75 - 14		51A- 72	38434	14 - 4
	5 - 71		78 - 19		65 - 37	38442	47A- 28
	12 - 18	32617	1 - 56		65 - 72		51 - 34
	15 - 57		1 -100		65 -119J		51A- 30
	15 - 85		27 -144		65 -129		52 - 45
	18 - 59		33 - 52		72 - 2		55 - 81
	19 - 40		33 -101		74 - 2		69 - 70
	21 - 82		33A- 48		75 - 42		72A- 61
	27 - 72		41 -112	35739	22 - 11		74 - 72
	27 - 91		41 -178		29 - 10	38443	27 -153
	36 - 74		47A- 34		31A- 2		43 - 2
	36 - 77		47A- 57		31A- 6		50 - 9
	36 - 85		50 - 87		38 - 19		53 - 9
	36 - 88		51A- 12		39 - 22		54 - 11
	51 - 51		52 - 16		40 - 19		68 - 9
	65 -131		53 - 83		41 - 20		71 - 43
25891	50 - 36		65 -123		41 -195	38447	76 - 43
25895	33 - 76		68 - 61		41 -197	38450	47 - 81
	33A- 72		69 - 31		41 -206		72 - 76
27760	25 - 3		72A- 35		41 -213	38451	48 - 87
28413	1 -141		72A- 63		41 -225		49 - 68
	1 -175	33370	27 - 56		41A- 19		51 - 25
	1 -228	34512	1 - 7		49 - 10		74 - 82
	1 -241		1 - 25		74 - 31	38452	48 - 78
	1 -265		1 - 35		75 - 64		49 - 66
	2 - 6		1 - 42		75 -106		51 - 38
	15 - 92		1 - 47		78 - 37		51A- 22
	33 - 56		1 - 82	36109	33B- 7		51A- 38
	33A- 58		1 - 89		36 - 7		52 - 49
	338- 39		1 - 91	36844	30 - 62		55 - 13
	338- 63		1 -108		35 -135		55 - 88
	338- 69		1 -117	36883	5 - 87		69 - 75
	35 -101		1 -145	37066	23 - 43		74 - 61
	35 -105		1 -202		25 - 71	38454	48 - 80
	35 -124		1 -205		26 - 18		49 - 73
	36 - 89		1 -271	37913	25 - 38		74 - 75
	36 -117		1 -280		27 - 41		75 - 52
	47A- 72		1 -294		33 -106		75 -111
	65 - 6		1 -310		63 - 9	38686	41 -303
	72A- 75		1 -328		63 - 20	38688	15 -117
32042	2 - 2		5 - 2		63 - 27		21 - 51
	2 - 4		5 - 13		66 - 140		27 -162
	2 - 7		5 - 16		75 - 40		65 -163
	2 - 9		5 - 19	37935	15 - 17F	42003	65 -1190

PART NO.	LIST AND INDEX NO.	PART NO.	LIST AND INDEX NO.	PART NO.	LIST AND INDEX NO.	PART NO.	LIST AND INDEX NO.
44262	41 -193	55726-CONT	33A- 11	55901-CONT	28 - 9	55918-CONT	51A- 18
45624	67 - 19		33A- 19		29 - 4		52 - 18
	70 - 13		33A- 27		29 - 7		65 - 89
45690	15 -131		35 - 73		29 - 15		69 - 33
	30 - 56		35 - 95		29 - 18		74 - 40
	33 - 50		36 -101		29 - 24		78 - 8
	33 - 54		41 - 16		29 - 54		78 - 17
	33 - 58		41 -131		30 - 4	56079	15 - 93
	33 - 65		41 -165		30 - 7		15 -115
	33A- 46		41 -195		30 - 18		16 - 18
	33A- 50		41 -197		30 - 30		16 - 23
	33A- 54		41 -211		30 - 52		29 - 32
	33A- 60		43 - 38		32 - 7		29 - 62B
	33A- 90		43 - 55		35 -145		29 - 72
	35 - 29		43 - 59		41 - 6		29 - 75
	35 -112		43 - 62		41 - 9		30 - 13
	35 -131		43 - 71		41 - 25		30 - 37
	36 -112		47 - 42		41 - 51C		30 - 66
	47A- 58		47 - 55		41 - 51F		30 - 67B
	50 - 15		47 - 82		41 -134		30 - 77
	50 - 21		48 - 50		41 -136		30 - 80
	50 - 38		48 - 57		41 -151		32 - 3
	51 - 69		49 - 12		41 -154		33 - 38
	52 - 54		49 - 48		41 -191		33 - 72
	55 - 19		50 - 64		41 -204		33A- 35
	68 - 25		50 - 68		41 -223		33A- 59
	69 - 20		51 - 8		41 -236		33A- 67
	71 - 35		51 - 47		41 -239		33A- 92
	72A- 64		51A- 9		41A- 16		33B- 11
	76 - 60		51A- 74		41A- 50		34 - 7
47242	15 -135		52 - 12		47 - 76		35 - 93
	15 -140		52 - 22		47 - 86		35 -102B
	21 - 59		52 - 68		47A- 63		36 - 11
47987	1 -163		52 - 73		48 - 82		36 - 46
	23 - 44		53 - 32		48 - 85		36 -128
	25 - 70		53 - 63		49 - 71		39 - 6
	26 - 19		53 - 75		49 - 75		39 - 9
	67 - 20		54 - 76		50 - 83		40 - 6
	70 - 14		54 - 83B		51 - 61		40 - 9
48594	1 -302		55 - 14		51A- 50		41 -113
	27 -117		55 - 36		51A- 57		41 -157
	33B- 23		55 - 47		52 - 67		41 -179
	36 - 31		55 - 73		52 - 79		41 -267
52570	23 - 42		68 - 38		53 - 80		47A- 60
	25 - 72		68 - 88		54 - 35		48 - 91
	26 - 17		68 - 90		54 - 86		49 - 79
52618	67 - 18		69 - 13		55 - 84		50 - 14
	70 - 12		69 - 42		55 - 93		50 - 37
53193	33 - 85		69 - 78		61 - 7		54 - 25
	33A- 83		69 - 89		61 - 10		54 - 62
	52 - 76		71 - 27		61 - 13		65 - 45
	69 - 16		71 - 30		65 - 33		65 - 96
53287	15 - 81		71 - 58		65 - 73		65 - 99
	21 - 20		71 - 62		65 -132		65 -124
54291	47A- 71		72 - 38		65 -139		65 -133
	72A- 55		72 - 61		68 -103		68 - 24
55586	15 - 64		72 - 73		69 - 82		71 - 13A
	27 -128C		74 - 45		69 - 87		71 - 36
	27 -132		74 - 63		71 - 72		72A- 67
	27 -132C		75 -105		72 - 68		74 - 86
55726	1 -123	55901	4 - 14		72A- 69		75 - 15
	1 -132		4 - 18		74 - 77		78 - 24
	1 -159		5 - 3		74 - 80		78 - 27
	1 -210		5 - 14		75 - 11		78 - 32
	1 -219		5 - 17		75 - 20	56121	33 -102
	1 -234		5 - 20		75 - 43		36 -111
	1 -249		5 - 23		75 - 81		50 - 20
	1 -258		5 - 28		75 -114		51 - 70
	17 - 52		5 - 57	55918	15 - 44		52 - 53
	17 - 55		5 - 60		27 - 93		55 - 18
	18 - 68		5 - 62		33B- 56		69 - 19
	18 - 71		5 - 76		33B- 86		5 - 92
	19 - 64		5 - 79		33B- 93	56722	16 - 2
	19 - 67		5 - 83		36 - 45		16 - 13
	20 - 38		5 - 95		38 - 15		16 - 22
	29 - 20		5 - 98		39 - 15		26 - 9
	30 - 23		5 -106		40 - 15		26 - 14
	33 - 10A		23 - 21		48 - 48		26 - 44
	33 - 18		23 - 23		49 - 43		28 - 3
	33 - 29		26 - 19C		51 - 20		28 - 12

PART NO.	LIST AND INDEX NO.	PART NO.	LIST AND INDEX NO.	PART NO.	LIST AND INDEX NO.	PART NO.	LIST AND INDEX NO.
56722-CONT	28A- 8	56722-CONT	53 - 64	58207-CONT	5 -107	62031-CONT	55 - 72
	28A- 12		53 - 70		15 - 69B		55 - 78
	28A- 19		53 - 76		21 - 63		68 - 49
	29 - 21		53 - 92		29 - 3		68 - 58
	29 - 28		54 - 32		29 - 17		69 - 56
	29 - 41		54 - 38		29 - 53		69 - 72
	29 - 47		54 - 50		30 - 3		72 - 53
	29 - 51		54 - 66		30 - 51		74 - 17
	30 - 24		54 - 77		33 - 2		74 - 68
	30 - 34		54 - 83D		33 - 80		74 - 73
	30 - 40		54 - 92		33A- 2	65756	41 - 14B
	30 - 45		55 - 15		33A- 74		45 - 3
	30 - 49		55 - 60		33A- 78		46 - 7
	33B- 35		55 - 74		36 - 71		47 - 14
	36 - 42		57 - 13		41 -133		48 - 15
	36 - 95		58 - 3		41 -150		48 - 27
	36 - 99		64 - 2		41 -153		51A- 67
	41 - 17		65 - 41		41 -190		67 - 8
	41 - 21		65 - 48		41 -222		70 - 8
	41 - 30		65 - 58		41A- 49		72 - 6
	41 - 43		66 - 14C		47 - 75		73 - 6
	41 - 50		66 - 65		47 - 77	76574	27 -125
	41 - 60		68 - 39		47A- 62		29 - 61
	41 - 83		68 - 53		48 - 88		30 - 27
	41 - 90		68 - 70		49 - 69		30 - 63
	41 -101		68 - 93		49 - 70		33B- 45
	41 -108		68 - 99		52 - 66		33B- 66
	41 -116		69 - 51		54 - 34		36 - 62
	41 -120		69 - 79		61 - 6		41 -304
	41 -124		71 - 28		61 - 9		43 - 23
	41 -128		71 - 31		61 - 12		44 - 7
	41 -132		71 - 59		65 - 32		50 - 14
	41 -139		71 - 63		65 - 34		53 - 16
	41 -143		71 - 67		69 - 81		53 - 29
	41 -166		71 - 79		72 - 55		54 - 18
	41 -201		71 - 84		72 - 58		68 - 17
	41 -230		71 - 99		72A- 68		68 - 35
	41 -246		72 - 14		74 - 79		71 - 18
	41A- 14		72 - 62		74 - 83	78952	41 -102
	41A- 34		72 - 74		75 - 10	78999	30 - 1
	43 - 7		72A- 31		75 - 80		33 - 83
	43 - 14		72A- 41		75 - 91		33A- 81
	43 - 19		72A- 74		75 -113	79779	35 - 3A
	43 - 31		74 - 12		78 - 10		36 - 55
	43 - 39		74 - 58	58865	27 - 57		55 - 10
	43 - 42		74 - 64	59648	15 - 41	80352	43 - 76
	43 - 60		75 - 50	60646	47 - 78	80650	25 - 18
	43 - 63		75 - 61		50 - 72	80651	33B- 41
	43 - 66		75 - 65		55 - 32		33B- 72
	43 - 72		75 - 96		55 - 63		36 -119
	47 - 21		75 -107		65 -119E		36 -121
	47 - 56		76 - 44		65 -119K	81693	10 - 14
	47 - 83		77 - 11		71 - 47		10 - 21
	47A- 13		78 - 14		72 - 56		10 - 30
	47A- 15	58207	1 - 17		72 - 59		12 - 35
	47A- 67		1 -125	61486	15 - 83		16 - 12
	48 - 22		1 -127		65 -102		16 - 20
	48 - 51		1 -134	62031	27 -165C		28A- 7
	48 - 74		1 -136		31 - 3		28A- 11
	49 - 13		1 -147		31 - 7		30 - 20
	49 - 21		1 -149		31A- 3		31 - 2
	49 - 59		1 -151		31A- 7		31 - 6
	50 - 30		1 -161		47 - 60		36 - 98
	50 - 33		1 -170		47 - 64		41A- 36
	50 - 49		1 -184		47 - 68		47 - 20
	50 - 52		1 -187		47 - 72		47A- 9
	50 - 55		1 -194		48 - 35		47A- 14
	50 - 65		1 -196		48 - 69		48 - 21
	50 - 69		1 -212		49 - 17		49 - 20
	50 - 78		1 -214		49 - 63		50 - 8
	50 - 95		1 -221		50 - 55		53 - 8
	51 - 58		1 -223		51 - 32		54 - 10
	51 - 48		1 -236		51 - 35		58 - 25
	51 - 56		1 -251		51A- 31		61 - 3
	51A- 35		1 -253		51A- 60		64 - 40
	51A- 54		1 -260		52 - 37		66 - 61
	52 - 30		1 -273		52 - 46		68 - 8
	52 - 69		1 -275		53 - 42		71 - 11
	53 - 33		5 - 33		53 - 49		72 - 12
	53 - 52		5 - 72		55 - 27		72A- 23

PART NO.	LIST AND INDEX NO.	PART NO.	LIST AND INDEX NO.	PART NO.	LIST AND INDEX NO.	PART NO.	LIST AND INDEX NO.
81693-CONT	72A- 40	130434-CONT	30 - 36	186399	1 -162	186759-CONT	74 - 62
	74 - 11		30 - 65	186596	79 -140	186924	14 - 19
81898	75 - 98		39 - 8	186712	6 - 14	186944	65 -148
	21 - 33		40 - 8		7 - 5	186950	15 -159
82353	65 -145		41 -156		9 - 13		21 -111
	41 -106		65 - 98		10 - 12	186959	79 -126
	48 - 10		78 - 26		10 - 17	186960	79 -100
	49 - 9	130987	338- 79		10 - 19	186968	79 - 42A
	74 - 30	132768	51 - 16		10 - 28	187243	41A- 42
82725	79 - 41	132771	68 - 82		12 - 8		66 - 35
83606	2 - 12	132784	43 - 50	186758	5 - 32		76 - 34
	2 - 14		73 - 2		5 -102		79 - 64
	65 - 92	133743	50 - 60		13 - 3	187459	79 - 81
	78 - 31	138754	30 - 53		33 - 40	187467	65 - 23
90261	33B- 67		41A- 9		33A- 37		75 - 82
	36 - 65	138756	29 - 55		47 - 85	187470	48 - 3
91469	35 - 53		30 - 60		51A- 49	187479	23 - 9
91610	33B- 74		41 -174		52 - 78	187843	55 - 3
	33B- 91	139326	15 - 17		55 - 42	187854	41 - 52
92748	29 - 63	141964	62 - 15		55 - 92	187855	21 - 30
	30 - 68	141967	62 - 18		69 - 86		65 -142
92784	5 - 45	141969	62 - 22		72 - 67	187858	35 - 51
	32 - 8	141971	62 - 21	186759	1 -238	188609	79 - 23
	79 - 42	141977	62 - 16		1 -262	189138	41 - 92
94856	44 - 2	141981	62 - 23		5 - 6		66 - 1
	57 - 5	147297	27 -113		6 - 9		76 - 4
95961	25 - 75	149695	4 - 22		6 - 16	189844	62 - 12
101807	24 - 2	149908	5 -103		7 - 18	190822	64 - 10
	24 - 11	150209	35 - 20		7 - 24		64 - 20
	24 - 27	151598	21 - 22		7 - 36	191477	41 - 31
	24A- 1A	154350	62 - 1		7 - 48	191480	29 - 33
101922	35 - 69	156909	62 - 26		7 - 64	191481	47 - 3
104615	41 -104A	160017	33B- 84		7 - 66		51 - 39
105826	62 - 10		43 - 21		9 - 9		51A- 39
105832	62 - 11		44 - 6		9 - 22		72 - 19
105835	62 - 27		45 - 2		11 - 15	194355	15 - 84
107177	62 - 4		46 - 6		11 - 28		21 - 23
107611	23 - 19		47 - 13		11 - 34	203801	48 - 37
107669	41 -103		47A- 18		12 - 10		49 - 19
109918	4 - 4		48 - 14		12 - 33		74 - 19
110286	27 -128B		48 - 26		12 - 46	204464	35 - 17
	27 -132B		49 - 25		12 - 49	204499	65 -116
112628	4 - 6		50 - 13		12 - 51	205329	41A- 44
	15 -109		51A- 63		23 - 20		60 - 2
	21 - 68		53 - 17		26 - 19B	205331	66 - 33
	21 - 93		54 - 17		29 - 14		76 - 36
113750	79 - 43		67 - 9		30 - 17	206421	15 - 80
115552	62 - 3		68 - 16		33 - 91		21 - 19
120211	15 - 2		70 - 7		33A- 87	207310	43 - 57
	15 -139		71 - 17		35 -104	207320	44 - 3
	39 - 5		72 - 5		35 -125	207324	44 - 3
	40 - 5		72A- 44		36 - 28		45 - 5
	65 - 95		72A- 48		36 -108		46 - 1
	78 - 23		73 - 5		41 - 51B		52 - 41
120837	62 - 20		74 - 5		41 - 51E		69 - 63
120924	62 - 13	161351	27 -159		41 -135		73 - 1
120925	62 - 17		33B- 47		41 -269	208225	44 - 3
120926	62 - 24	165594	62 - 5		41 -273	208226	70 - 3
120942	62 - 9	165595	62 - 28		41 -275	208237	35 -102
121011	62 - 8	167141	15 -148		41 -277	208300	31 - 13
121839	62 - 25		41 -315		41 -280		66 - 58A
122311	62 - 6	173218	62 - 7		41 -283		77 - 15
123070	65 -103	179207	41 -270		47 - 80	208970	43 - 74
124439	79 - 56		41 -290		48 - 77	209002	56 - 44
124582	27 -118	179743	41 - 44		49 - 65		66 - 58C
124843	61 - 11		65 - 61		51 - 24		77 - 17
	62 - REF		75 - 28A		51 - 37		43 - 46
125360	1 -305	180072	21 -116		51A- 21	210324	43 - 46
125872	62 - 14		41 -323		51A- 37	210883	23 - 8
125877	62 - 19		65 -168		52 - 48		29 - 35
125930	1 - 63		75 - 54B		52 - 64		35 - 61
	1 - 68	180894	29 - 68		55 - 87		41 - 33
	1 -103		30 - 73		55 - 90		41 - 54
	1 -321	183900	28 - 8		65 - 12		43 - 6
	33A- 93		50 - 10		65 - 15		50 - 54
126036	29 - 38		53 - 21		65 -114		51 - 42
129334	22 - 34		54 - 26		65 -138		51A- 43
	25 - 37		68 - 10		69 - 74		52 - 5
130434	16 - 21	186036	1 -346		69 - 84		53 - 47
	29 - 31		33B- 65		72 - 64		54 - 49
							65 - 25

PART NO.	LIST AND INDEX NO.	PART NO.	LIST AND INDEX NO.	PART NO.	LIST AND INDEX NO.	PART NO.	LIST AND INDEX NO.
210883-CONT	68 - 50	216076-CONT	43 - 33	216792	47 - 31	236550-CONT	42 - 8
	69 - 5		47 - 47		47A- 31	236570	15 - 68
	71 - 83		47A- 49	216797	36 - 93		21 - 83
	75 - 84		48 - 61		48 - 43	236624	22 - 26
210884	23 - 7		49 - 52		49 - 38	236849	15 - 96A
	29 - 37		50 - 97		74 - 35		15 -128
	35 - 60		51 - 9	216885	65 -126		29 - 62A
	41 - 35		51A- 10	217017	47 - 17		29 - 71
	41 - 56		52 - 25		47A- 21		29 - 74
	50 - 48		53 - 97		48 - 17		30 - 67A
	51 - 43		54 - 68		49 - 26		30 - 76
	51A- 44		55 - 50		50 - 16		30 - 79
	52 - 10		68 - 74		51A- 66		32 - 2
	53 - 41		69 - 44		68 - 20		33 - 37
	65 - 27		71 -100		69 - 65		33 - 59
	68 - 57		72 - 43		71 - 21		33 - 71
	69 - 10		72A- 10		72 - 9		33A- 21
	75 - 86		74 - 49		72A- 52		33A- 34
210984	21 - 31	216082	35 - 78		74 - 8		33A- 55
	21 - 37	216083	35 - 75	217019	36 -113		33A- 66
	29 - 34	216085	35 - 74		50 - 16		35 - 84
	33B- 13	216087	35 - 76		51 - 71		35 - 86
	35 - 22		35 - 80		52 - 55		35 - 92
	35 - 52		47 - 49		52 - 59		35 -107
	35 - 58		48 - 63		55 - 21		35 -127
	36 - 16		50 - 99		69 - 22		36 - 72
	36 - 22		51 - 10	217077	43 - 11		36 - 75
	41 - 32		53 - 99		47 - 8		36 - 78
	41 - 53		54 - 70		47A- 6		36 - 86
	47 - 4		55 - 52		48 - 9		36 -127
	48 - 4		68 - 76		49 - 8		41 - 18
	51 - 40		69 - 45		52 - 8		41 - 22
	51A- 40		71 -102		55 - 8		41 -110
	52 - 4		72 - 43B		69 - 8		41 -176
	53 - 6		74 - 51		71 - 9		47 - 34
	55 - 4	216088	35 - 77		72 - 23		47A- 32
	65 - 24		35 - 81		74 - 29		48 - 42
	65 -143		47 - 48	217082	59 - 6		48 - 90
	65 -149		48 - 62		66 - 20		49 - 41
	68 - 3		50 - 98		76 - 17		49 - 78
	69 - 4		51 - 11	220856	65 -118		50 - 89
	72 - 20		53 - 98	220918	35 - 42		51 - 15
	75 - 83		54 - 69	221790	7 - 4		51A- 16
210985	21 - 32		55 - 51		15 -111B		52 - 14
	21 - 38		68 - 75		30 - 55		53 - 85
	35 - 55		69 - 46		35 -144		54 - 59
	65 -144		71 -101		41 - 5		65 -119B
	65 -150		72 - 43A		41 - 8		68 - 63
210986	21 - 34		74 - 50		41 - 24		69 - 29
	21 - 40	216197	50 - 18		41 -238		71 - 89
	35 - 54		53 - 22		41A- 15		72 - 32
	65 -146		54 - 23		43 - 36		72A- 33
	65 -152		68 - 22		48 - 84		74 - 34
211232	59 - 5		71 - 12		55 - 40		74 - 85
211442	20 - 36	216206	43 - 32		75 - 19		75 - 92
213547	31A- 17		50 - 96	222027	33 - 67	237327	50 - 80
213693	50 - 59		53 - 94		33A- 62	237455	53 - 89
	56 - 11		54 - 67	222098	59 - 9		54 - 73
	56 - 17		68 - 71	223410	34 - 6		68 - 66
	56 - 26		71 - 95	223528	33 - 98	237816	41 -299
	67 - 1	216207	47 - 43		33A- 96	239611	50 - 70
	70 - 5		48 - 58	225815	64 - 37		55 - 61
	71 - 54		49 - 49	234340	15 - 51		27 -138
213697	31A- 19		51 - 6		15 -121	244111	22 - 44
215679	66 - 2		51A- 7		15 -125	250697	22 - 44
	76 - 5		52 - 24		41 -302	251820	24A- 2
215680	41 - 93		55 - 45		41 -307	251970	7 - 31
216073	35 - 82		69 - 43		41 -309		7 - 43
	47 - 50		72 - 40		41 -318		7 - 55
	48 - 64		74 - 43	234341	15 -153		22 - 13
	50 -100		79 -125		15 -155		33 - 9
	51 - 12	216265	25 - 51		21 -104		33 -104
	53 -100	216323	77 - 5		21 -107		33A- 9
	54 - 71	216362	33 - 39		15 - 49		33B- 34
	55 - 53	216425	67 - 14	234344	15 -156		35 - 8
	68 - 77	216448	5 - 44		21 -108		35 - 19
	69 - 47	216452	59 - 8		27 -147		36 - 41
	71 -103		66 - 21	234565	30 - 57		41 -168
	74 - 52		76 - 18	234742	27 -136		41A- 24
216076	35 - 79	216492	59 - 7	236550	41A- 46		41A- 28
							58 - 9

PART NO.	LIST AND INDEX NO.	PART NO.	LIST AND INDEX NO.	PART NO.	LIST AND INDEX NO.	PART NO.	LIST AND INDEX NO.
251970-CONT	58 - 27	257189-CONT	51 - 54	301679	72A- 17	317026	31A- 21
	58 - 34		51 - 62	301815	53 - 58	317057	64 - 30
	58 - 37		51A- 52	302088	41A- 39	317077	51A- 25
	63 - 2		52 - 81		42 - 20	317082	30 - 69A
	65 - 9		53 - 81		66 - 40	317131	21 - 39
	68 - 13		54 - 88		76 - 40		41A- 18
	77 - 8		55 - 33	302089	41A- 40		65 -151
253453	79 - 55A		55 - 65		42 - 9	317138	35 - 49
253740	16 - 33		55 - 85		42 - 12		42 - 15
	79 - 44		55 - 94		42 - 19		61 - 1
255629	33B- 89		65 - 74		58 - 14	317145	43 - 12
257186	66 - 18		65 -119F		66 - 39	317199	53 - 61
	76 - 15		65 -119L		76 - 39		68 - 87
257187	1 - 28		68 -104	302090	41A- 38	317200	50 - 63
	1 - 38		69 - 88		42 - 17		53 - 62
	1 - 85		71 - 46		60 - 7		54 - 83A
	1 -111		71 - 73		66 - 37		68 - 89
	1 -292		72 - 69		76 - 37		71 - 57
	1 -326		74 - 78	302131	41A- 45	317232	23 - 11
	16 - 3		75 -115		42 - 21		31 - 1
	16 - 14	257284	79 -138		60 - 11		31A- 1
	23 - 16	257957	8 - 4		66 - 41		41 -224
	26 - 10	257959	7 - 33		76 - 41	317276	50 - 62
	26 - 15		7 - 45		29 - 1		71 - 55
	28 - 13		7 - 57	303549	29 - 1		71 - 55
	28A- 20	257965	5 - 9	303805	41A- 4	317286	33B- 58
	33B- 49D	257966	1 -301	311462	1 - 43		36 -124
	35 - 67	257966	1 -301	313246	41A- 7	317296	31A- 29
	41 - 40	257983	21 -116A	313361	12 - 23		79 - 28
	41 - 49		41 -323A		12 - 26	317297	79 - 28A
	41 -142		65 -168A		79 - 45	317298	79 - 288
	41 -159	257984	75 - 54C	313735	15 -111E	317299	79 - 28C
	41 -171		1 -303	313997	35 - 15	317300	79 - 28D
	41 -198		33 - 64	314047	47 - 66	317310	41 -205
	41 -209	257985	65 - 10		47A- 54		61 - 2
	41 -216		27 - 40		72A- 15	317314	41 -232
	43 - 41		27 - 97	316144	64 - 7		52 - 9
	43 - 67	257986	33 - 65	316187	29 - 58		69 - 9
	47 - 69		10 - 22		38 - 20	317350	67 - 13
	47 - 73		10 - 31		39 - 20	317428	12 - 24
	47A- 16		12 - 30		40 - 20		31A- 15
	47A- 68		12 - 36		66 - 59		31A- 23
	48 - 36		21 - 46		77 - 21	317429	55 - 68
	49 - 18		23 - 38		78 - 35	317432	56 - 46
	51A- 58		26 - 23	316807	41 - 39	317433	66 - 58D
	53 - 71		27 - 44		47A- 65		77 - 18
	56 - 1		27 -165D		72A- 71	317766	25 - 33
	56 - 60		30 - 21	316996	51 - 75		42 - 14
	56 - 62		31 - 17		52 - 56		58 - 11
	64 - 1		33B- 49B		55 - 22	317767	25 - 29
	65 - 49		43 - 64		69 - 23		42 - 11
	68 - 94		43 - 73	317001	64 - 16		58 - 13
	72A- 42		47A- 10		66 - 49	317768	42 - 13
	72A- 73		48 - 34		76 - 50		58 - 15
	74 - 18		49 - 16	317003	64 - 18	317889	24A- 34
	75 - 62		50 - 34		64 - 22		24A- 42
	75 - 66		50 - 56		66 - 52	319300	27 - 92
	75 -107A		50 - 79		76 - 53	320297	31 - 11
	76 - 45		53 - 34	317004	64 - 6	320451	18 - 58
	78 - 6		53 - 65		64 - 26		19 - 39
257189	1 - 49		54 - 39	317006	56 - 33		20 - 24C
	1 - 93		54 - 51		64 - 3	320661	64 - 29
	1 -139		54 - 83C	317008	56 - 42	321196	56 - 41A
	1 -173		65 -158	317009	31A- 20	321269	54 - 82
	1 -226		66 - 62		56 - 43	321271	24A- 2A
	1 -243		68 - 40		66 - 58B		31A- 9
	1 -267		71 - 32		77 - 16		71 - 51
	5 -105		71 - 60	317010	64 - 15	321397	15 -111F
	27 -100		71 - 68		64 - 23	321603	33B- 32
	27 -150		71 - 85		66 - 50		36 - 39
	29 - 25		72A- 25		76 - 51	322025	79 -124
	30 - 31		74 - 16	317015	31A- 24	322028	15 - 62
	33B- 30	259009	79 -123		54 - 78		27 -124
	34 - 14	264641	1 - 58		56 - 47	322029	15 - 7
	36 - 37		79 - 89	317016	64 - 24		15 - 71
	47 - 87	287502	13 - 9	317017	57 - 6		27 -130
	48 - 83		13 - 24	317018	31A- 11		33 - 45
	49 - 76	300721	64 - 14	317019	47 - 65		33A- 41
	50 - 74		64 - 25		47A- 53		41 -316
	50 - 85		66 - 51	317020	31A- 14	322061	15 - 17A
			76 - 52	317022	35 - 96A	322065	16 - 1

PART NO.	LIST AND INDEX NO.	PART NO.	LIST AND INDEX NO.	PART NO.	LIST AND INDEX NO.	PART NO.	LIST AND INDEX NO.
322065-CONT	26 - 8 26 - 13 27 -165B 28 - 2 28 - 11 28A- 18 36 - 52 41 -115 41 -123 41 -229 41 -233 41 -245 43 - 65 57 - 12 75 - 49 75 - 60 21 - 41 65 -153 43 - 15 31A- 16 50 - 60 54 - 80 5 - 91 25 - 14 26 - 43 27 - 52 27 - 85 29 - 27 30 - 33 33B- 62 41 -107 43 - 13 50 - 47 53 - 48 54 - 54 65 - 47 65 - 81 68 - 48 71 - 78 78 - 5 21 - 45 65 -157 24 - 6 24A- 10A 29 - 57 38 - 21 39 - 19 40 - 21 56 - 59 78 - 34 56 - 5 41 -313 29 - 12 15 - 87 43 - 26 44 - 9 45 - 6 46 - 9 47 - 18 48 - 19 48 - 24 67 - 5 68 - 19 70 - 10 72 - 10 73 - 8 74 - 9 29 - 36 43 - 54 56 - 40 38 - 22 39 - 21 41 - 55 41 -212 31A- 5 40 - 22 41 - 34 47 - 9 47A- 7 51 - 41	323839-CONT 51A- 42 72 - 25 72A- 22 323840 65 - 26 75 - 85 323841 78 - 36 323918 43 - 53 323925 22 - 33 23 - 14 25 - 67 68 - 41 42 - 7 324513 42 - 10 324514 79 - 28E 325439 79 - 28F 325440 33 - 74 325660 33A- 70 53 - 27 68 - 33 55 - 24 69 - 68 27 - 35 327921 66 - 60 327922 18 - 60G 19 - 35 20 - 24 41 -281 41 -286 65 -128 327923 5 - 84 41 -282 331982 33B- 27 36 - 34 332585 52 - 60 69 - 27 41 -173 332589 15 - 13 332620 15 - 89 21 - 3 21 - 76 33B- 10 33B- 49 33B- 52 35 - 28 36 - 10 36 -104 47 - 30 47 - 36 47A- 37 50 - 87 54 - 57 72 - 30 72 - 34 72A- 38 332628 41 -231 332747 1 -299 27 -160 333064 15 - 40 333202 31A- 22 334012 15 - 99 334219 79 - 28G 334220 79 - 28H 334635 41A- 8 334768 32 - 9 79 -124A 334900 43 - 49 334910 54 - 89 67 - 3 78 - 12 79 - 42B 334921 23 - 17 31 - 18 31A- 4 33B- 36 38 - 17 39 - 17 40 - 17 41 -148 41A- 17 43 - 10	334921-CONT 43 - 8A 47 - 7 47A- 5 48 - 8 49 - 7 51 - 40A 52 - 7 54 - 46 55 - 7 55 - 9 61 - 15 65 - 30A 65 - 61B 69 - 7 71 - 8 72 - 24 74 - 28 75 - 68 75 - 89A 79 - 42C 334923 48 - 54 50 - 62 334928 64 - 38 334932 28A- 15 35 - 96B 36 - 96 47 - 32 47 - 39 47A- 30 47A- 45 48 - 44 49 - 39 51 - 16A 74 - 36 79 - 42D 47 - 61 335017 47A- 52 48 - 66 49 - 60 51 - 27 51A- 27 52 - 34 55 - 79 58 - 28 69 - 52 69 - 53 72 - 48 72A- 12 74 - 65 69 - 62 43 - 52 335131 68 - 80 335138 71 - 50 25 - 31 335239 79 - 46 335327 51 - 26 335328 55 - 75 335474 41 -175 335486 68 - 83 335970 79 - 47 335971 79 - 66 336003 1 -185 337193 29 - 56 337549 43 - 81 47 - 25 47A- 25 48 - 31 49 - 32 50 - 24 51 - 78 51A- 73 53 - 25 54 - 29 68 - 28 71 - 25 72 - 3 72A- 58 74 - 3 15 -110 21 - 69	338169-CONT 21 - 94 41A- 31 58 - 10 58 - 35 63 - 5 63 - 11 66 - 17 66 - 58 75 - 39 76 - 14 77 - 14 338238 27 - 96 27 -167B 33 - 63 33B- 19 35 - 14 36 - 13 66 - 16 76 - 13 339156 79 - 57A 341492 55 - 12 342077 25 - 90 343747 1 -312 344015 23 - 27 26 - 38 347805 27 - 7 347807 27 - 3 349736 21 - 73 21 - 98 35 - 32 349902 5 -101 21 - 79 350665 41 -213A 350836 79 - 7 350837 79 - 8 351228 49 - 11 352121 15 - 95 41 -111 41 -177 352825 47A- 2 72A- 19 352827 78 - 33 352870 79 -122 353526 33 - 96 33A- 94 353598 25 - 73 353632 50 - 66 54 - 74 71 - 64 25 - 32 354474 71 - 52 355683 79 -139 356705 33A- 36 356742 41 -274 357433 65 -125 359695 67 - 10 75 - 57 78 - 20 79 - 48 79 -144 53 - 18 79 - 49 360363 41A- 47 360370 79 - 64A 33 - 84 33A- 82 41 -104 41A- 6 360882 56 - 32 56 - 41 41 -170 51 - 14 51A- 15 52 - 13 69 - 28 41A- 37 362243 41A- 37 363447 33 - 72A 364433 31A- 13 368168 41 - 95 368353 33B- 18			

PART NO.	LIST AND INDEX NO.	PART NO.	LIST AND INDEX NO.	PART NO.	LIST AND INDEX NO.	PART NO.	LIST AND INDEX NO.
368353-CONT	36 - 12	374989	43 - 28	438589	27 - 79	473582	36 - 114
369207	15 - 160E	375316	35 - 38	438592	50 - 71		51 - 73
	41A- 1	381741	1 - 72		55 - 62		52 - 57
369208	41 - 1		21 - 75E		71 - 45		55 - 20
	65 - 2		21 - 75G	438593	55 - 29		69 - 21
	75 - 1	383608	27 - 119	438601	15 - 98	473592	47 - 16
369214	43 - 77	418835	15 - 82	438602	15 - 147		47A- 20
369611	31A- 12		21 - 21		30 - 10		48 - 18
	64 - 28	419130	50 - 75		50 - 91		49 - 27
369631	31A- 10		51 - 72		53 - 87		51A- 68
369652	31A- 28		55 - 66		68 - 65		72 - 8
	56 - 16		71 - 49		71 - 92		72A- 50
	56 - 22	419184	56 - 10	438605	35 - 111	473629	74 - 7
	56 - 31		56 - 23		35 - 130		11 - 32
	56 - 34		56 - 25	438611	29 - 60		41 - 86
	58 - 31	419190	43 - 48	438623	30 - 25	475992	25 - 92
	59 - 12	430798	79 - 33A	440514	64 - 4	477974	33B- 37
	64 - 12	437261	71 - 44	442499	57 - 1		36 - 63
	66 - 24	438538	27 - 106	442958	53 - 72	478012	75 - 108
	66 - 58E	438539	73 - 11		55 - 34		76 - 42
	76 - 21	438547	27 - 69		68 - 96	478043	36 - 115
	77 - 19	438548	33 - 4		48 - 32		51 - 74
369654	31A- 27		33A- 4	443052	49 - 14		51A- 69
	56 - 30		33B- 21		74 - 14		52 - 58
	59 - 11		35 - 143	445304	43 - 70		55 - 23
	64 - 11		36 - 67	450957	33B- 57		69 - 24
	64 - 21		41A- 30		36 - 123	478045	43 - 37
	66 - 23		42 - 6	458813	79 - 70		43 - 58
	66 - 48		52 - 71	465627	75 - 93		43 - 75
	76 - 20		53 - 67	471672	22 - 27		47 - 70
	76 - 49		58 - 18		25 - 76	479168	52 - 39
369849	43 - 44		58 - 22		15 - 108		53 - 53
372688	12 - 28		58 - 39	472168	21 - 67		68 - 86
372965	49 - 50		60 - 15		21 - 92		69 - 59
	74 - 47		63 - 4		25 - 17	479714	47 - 53
372966	47 - 46		66 - 10	472250	67 - 16		48 - 71
	47A- 39		66 - 13	472579	70 - 2		49 - 55
	51 - 1		69 - 15	472639	12 - 27		51 - 3A
	51A- 4		69 - 67	472707	33B- 73		51A- 3
	72 - 41		76 - 10	472729	15 - 75		52 - 32
	72A- 1	438549	25 - 30		41 - 248		55 - 56
372969	55 - 49		66 - 148	473412	41 - 169A		69 - 38
372973	47 - 45		66 - 38	473422	41 - 169		72 - 45
	47A- 40		76 - 38	473530	43 - 29		74 - 54
	48 - 60	438550	22 - 48		47 - 41	479999	5 - 7
	49 - 51		27 - 39		48 - 56	481439	72 - 50
	50 - 4		42 - 8		49 - 47		72A- 13
	52 - 27		42 - 18		51 - 7		74 - 69
	53 - 2		58 - 12		51A- 8	481443	51 - 28
	55 - 48		59 - 4		52 - 21		51A- 23
372975	48 - 59		66 - 30		55 - 46	481447	69 - 61
374223	35 - 34		76 - 27		69 - 41	481484	46 - 2
374771	52 - 26	438551	27 - 74		72 - 37	481613	52 - 42
	69 - 39		27 - 76		74 - 44		53 - 56
374772	51 - 2		66 - 44	473531	33B- 42		68 - 85
	51A- 5		66 - 57		33B- 71		69 - 60
	54 - 5		77 - 13		35 - 4	481921	46 - 3
	68 - 4	438552	27 - 76C		36 - 56	482188	5 - 8
	69 - 40		76 - 32		36 - 120	482192	5 - 10
	71 - 1	438553	27 - 59	473536	33 - 87	482195	5 - 52
	72 - 42	438554	42 - 22		33 - 89		6 - 5
	72A- 2	438555	42 - 23	473537	72A- 9		7 - 13
	74 - 48	438560	79 - 78	473544	35 - 5		7 - 20
374785	35 - 36	438566	50 - 64		36 - 58		9 - 5
374788	35 - 37	438568	31 - 9	473547	43 - 34		10 - 7
374794	50 - 5	438570	48 - 33		47 - 44		11 - 5
	50 - 5		49 - 15		47A- 50		11 - 11
374812	43 - 27		53 - 93		48 - 65		12 - 42
374826	50 - 5		68 - 69		49 - 53	482215	7 - 21
	53 - 3		74 - 15		51 - 13	482217	5 - 53
	54 - 6	438571	23 - 37		51A- 11		6 - 6
	68 - 5		26 - 22		52 - 23		7 - 14
	71 - 2	438573	75 - 109		53 - 95		9 - 6
374981	50 - 6	438579	21 - 56		54 - 72		10 - 8
	50 - 6	438586	36 - 83		55 - 54		11 - 6
	53 - 4	438587	27 - 65		68 - 72		11 - 12
	54 - 7		36 - 81		69 - 48		12 - 43
	68 - 6		36 - 92		71 - 96	482219	5 - 4
	71 - 3	438588	27 - 80		72 - 39	482220	7 - 19
374982	35 - 35		57 - 8		74 - 46	482221	5 - 50

PART NO.	LIST AND INDEX NO.	PART NO.	LIST AND INDEX NO.	PART NO.	LIST AND INDEX NO.	PART NO.	LIST AND INDEX NO.
482221-CONT	6 - 4	510316-CONT	54 - 75	528287	1 - 52	595720	79 - 88
	7 - 12		71 - 61		1 - 96	596255	48 - 53
	9 - 4	510379	1 - 27	528484	33 - 36		54 - 4
	10 - 6		1 - 37		33A- 33		54 - 47
	11 - 4		1 - 84	529203	31A- 18		67 - 4
	11 - 10		1 -110		50 - 11		79 - 52
	12 - 41	510468	338- 31		50 - 61	596288	41 -114
483106	57 - 10		36 - 38		53 - 13	596292	41 -129
483111	35 - 11	510638	21 - 35		54 - 79	596293	41 -126
483115	56 - 48		65 -147		68 - 14	596341	79 - 28J
	56 - 57	511096	33A- 68		71 - 15	596342	79 - 28K
483327	44 - 5	511544	79 - 65		71 - 56	596343	79 - 28L
483328	44 - 5	511553	75 - 26	529214	67 - 17	596467	41 -121
	44 - 5	512068	25 - 83		70 - 11		65 - 42
483358	22 - 31	512071	41A- 35	529691	43 - 25		75 - 48
	25 - 56	512400	50 - 58		44 - 10	596468	41 -122
	25 - 63		53 - 60		50 - 16		41 -244
491017	44 - 4		54 - 83		51A- 65		65 - 36
	44 - 4	513668	1 -122		53 - 19	596469	41 -118
	56 - 45		1 -131		54 - 21		65 - 39
491227	53 - 59		1 -131	532393	5 - 29		75 - 45
491228	45 - 1		1 -158		5 - 99	596524	25 - 88
	46 - 4		1 -158		65 -136	597364	41 -217
	67 - 2		1 -209	533289	13 - 42	597383	41 -299
	70 - 4		1 -218		60 - 12	597671	1 - 26
	73 - 9		1 -218	533360	49 - 3		1 - 36
491237	43 - 51		1 -233		74 - 24		1 - 83
491300	31A- 8		1 -233	533371	50 - 17		1 -109
491318	53 - 55		1 -248	533534	47 - 58		1 -288
	68 - 79		1 -257		47 - 62		1 -322
491319	52 - 38		1 -257		48 - 67	597977	59 - 10
	65 - 61C	513669	1 -142		49 - 61		66 - 25
	69 - 57		1 -176		51 - 30		76 - 22
	75 - 69		1 -229		51 - 33	598273	41 -189
492384	53 - 57		1 -244		51A- 28		41 -237
	68 - 84		1 -268		52 - 35		75 - 9
492411	55 - 69	513740	41A- 20		52 - 43	598363	41 -299
492448	43 - 45	515380	34 - 9		55 - 25	598381	79 - 28M
	51 - 29		34 - 15		55 - 70	598382	79 - 28N
	51A- 24	515381	34 - 10		55 - 76	598700	1 -342
	54 - 81		34 - 16		55 - 80		21 - 86
	68 - 81	515620	41 - 36		69 - 54	599303	23 - 1
	69 - 64	515718	34 - 12		69 - 69		24 - 8
	71 - 53	515847	41 - 91		72 - 51		24A- 2C
	72 - 49	515873	29 - 5		74 - 66		26 - 46
	72A- 14	517913	16 - 34		74 - 71	600844	42 - 16
	74 - 70	518578	47A- 43		26 - 45		79 - 53
492475	66 - 19		72A- 5	534705	41 -279	601185	2 - 10
	76 - 16	518614	15 - 91	534768	79 - 9	609687	79 - 54
492503	47 - 40	519043	29 - 11	535640	79 - 69	610052	65 -117
	47A- 46	520657	58 - 6		79 - 32	610434	5 -109
492570	44 - 4		66 - 67	538724	70 - 1	615354	41A- 41
	52 - 61	520658	58 - 1	550051	57 - 7		66 - 34
	69 - 76		66 - 63	552994	9 - 17		76 - 33
492584	64 - 5	520663	21 -121	553380	11 - 23	615674	5 - 61
501551	55 - 67	520678	31 - 4		12 - 62	620240	48 - 12
503498	32 - 10	521829	57 - 11	555432	79 -142		74 - 32
504870	41 -228	523171	79 -107	556445	41 - 94	624037	79 - 31
504879	79 -128	523250	41 -292	556450	21 - 88	645018	79 - 24
505375	53 - 66		75 - 51	557542	41 - 87	719117	11 - 21
507142	50 - 66	523255	79 - 40	559275	79 -102		41 - 84
507144	53 - 73	523267	79 - 50	587562	15 -158	719495	79 - 86
	55 - 31	523268	79 - 25		21 -110	719551	11 - 31
	68 - 95	523269	41 -167		1 -344		41 - 85
507234	25 - 24		41A- 27	587834	1 -345	725379	6 - 2
	25 - 36		63 - 1	587866	1 -347		7 - 10
	35 - 10		79 - 61	587874	1 -343		9 - 2
507796	21 - 4	524317	31 - 12	587875	23 - 12		10 - 4
	33 - 93	524515	13 - 40	589715	41 -226		12 - 39
	35 -118		41 -290		78 - 38	725557	63 - 14
508040	73 - 3		75 -110	589716	35 - 56		79 - 10
509638	47 - 57	524519	13 - 38	589759	2 - 27	725558	79 - 11
	47A- 51		24 - 14	594234	43 - 20	727454	6 - 1
	72 - 47		24A- 2B	595256	45 - 4		7 - 9
	72A- 11	526048	79 - 51		46 - 5		9 - 1
510186	18 - 60	526378	16 - 15		67 - 6		10 - 3
	19 - 41	528012	58 - 5		70 - 6		12 - 38
	20 - 24E		66 - 68		73 - 4		33 - 78
510316	41 -218	528013	58 - 4	595355	22 - 39	730432	33A- 75
	50 - 67		66 - 66		25 - 64		33B- 53

PART NO.	LIST AND INDEX NO.	PART NO.	LIST AND INDEX NO.	PART NO.	LIST AND INDEX NO.	PART NO.	LIST AND INDEX NO.
730432-CONT	338- 75	734483-CONT	20 - 65	811427-CONT	20 - 30A	811496-CONT	18 - 28
	35 - 16	738827	77 - 4		27 - 50		18 - 56
	36 - 59	740489	12 - 11	811441	27 -175	811507	19 - 24
	41 - 80	740491	12 - 31A	811442	17 - 56		17 - 41
	41 -105	740501	16 - 5		18 - 72		18 - 60C
	43 - 17	740503	12 - 17		19 - 68		20 - 20
	47 - 2	740513	12 - 34		27 -181	811509	17 - 30
	48 - 2	740554	41 -207	811474	17 - 33	811520	18 - 29
	49 - 2		61 - 4		18 - 60F		18 - 46
	50 - 43	740608	12 - 17		20 - 23		19 - 27
	51 - 22	749033	12 - 53		21 - 75B	811530	17 - 20L
	51 - 45	749089	2 - 16		27 - 6		27 - 11
	51 - 66	760221	27 - 38	811476	17 - 22	811536	27 - 14
	51A- 32		41 -289		18 - 37	811556	27 - 8
	51A- 47		58 - 41		19 - 46	811563	79 - 12
	52 - 2	760303	20 - 32		20 - 10	811565	24A- 2D
	53 - 37		25 - 8		27 - 13	811581	27 - 1
	54 - 12		25 - 15	811481	17 - 21	811621	17 - 20G
	54 - 12		25 - 44		18 - 36		17 - 25
	55 - 2		58 - 7		20 - 9		17 - 36
	68 - 44	760446	65 -119		21 - 75A		18 - 25
	69 - 2	760447	65 -113		27 - 4		18 - 53
	69 - 35	760731	29 - 10A		27 - 63		19 - 23
	71 - 74	801391	25 - 87		27 - 77	811742	17 - 12
	72 - 15	801502	25 - 52		17 - 1		18 - 12
	72 - 54	802570	79 - 62	811482	18 - 1		19 - 12
	72 - 75	803125	79 -130		19 - 1		20 - 3
	74 - 20	804109	16 - 11		20 - 25		27 - 42
731058	79 -141	806569	47 - 11	811483	14 - 11	811751	79 - 1
731626	1 -143		47A- 11		17 - 20B	811752	79 - 1A
	1 -177		51 - 44		18 - 40	811802	14 - 1
	1 -230		51A- 45		18 - 48		17 - 60B
	1 -245		72 - 27		19 - 18		79 -108
	1 -269		72A- 26		19 - 29	811804	14 - 2
	21 - 78	806715	79 - 55		27 - 15		17 - 60C
	22 - 15	806926	30 - 5	811484	17 - 4	811825	27 - 53
	27 - 29	808360	41 - 37		18 - 4		79 - 28V
731629	21 - 75J		65 - 60		19 - 4	811832	79 - 13
731630	1 - 5		75 - 28		20 - 28	811850	25 - 41
	1 - 9	808361	41 - 3	811485	14 - 13	811851	25 - 40
	1 - 11		65 - 4		17 - 20C	811854	17 - 53
	1 - 22		75 - 17		18 - 41		18 - 69
	1 - 33		7 - 26		18 - 49		19 - 65
	1 - 70	808369	7 - 38		19 - 19		20 - 40
	1 - 76		7 - 50		19 - 30		27 -177
	1 - 80		18 - 85		27 - 18	811855	17 - 50
	1 -121	811066	18 - 94		14 - 15		18 - 66
	1 -130		19 - 70	811486	17 - 20F		19 - 62
	1 -157		19 - 71		17 - 20K		20 - 39
	1 -191		19 - 75		17 - 26		27 -179
	1 -200		19 - 80		17 - 37	811864	25 - 46
	1 -206		20 - 50		18 - 26	811865	25 - 43
	1 -208		20 - 58		18 - 44	811868	17 - 49
	1 -217		20 - 59		18 - 52		18 - 65
	1 -232	811363	17 - 60A		18 - 54		19 - 61
	1 -247	811417	17 - 44		19 - 22		20 - 35
	1 -256		18 - 48		19 - 26		27 -173
	1 -278		19 - 50		19 - 33	811869	17 - 45
	1 -285		20 - 30	811494	14 - 12		18 - 61
	1 -314		27 - 49		17 - 20E		19 - 57
	1 -318		17 - 31		17 - 20J		20 - 31
	1 -331	811422	17 - 42		17 - 27		27 -169
	1 -333		18 - 60D		17 - 38	811878	20 - 34
	1 -337		20 - 21		18 - 27		25 - 47
	15 - 79		21 - 75C		18 - 43	811879	20 - 33
	15 -134		17 - 6		18 - 51		25 - 45
	39 - 2	811426	17 - 8		19 - 21	811881	17 - 57
	40 - 2		17 - 13		19 - 25		18 - 73
	41 -250		18 - 6		19 - 32		19 - 69
	13 - 43		18 - 8		19 - 32		20 - 37
	17 - 18A		18 - 13	811495	14 - 14		27 -174
	17 - 51		19 - 6		17 - 20D	811895	25 - 48
	17 - 54		19 - 8		18 - 42	811896	27 -176
	18 - 23A		19 - 14		18 - 50	813072	27 - 27
	18 - 67		20 - 2		19 - 20	813073	27 - 21
	18 - 70		20 - 7		19 - 31	813078	27 - 22
	19 - 16A		27 - 43		27 - 17	813079	27 - 25
	19 - 63	811427	17 - 59	811496	17 - 20H	813080	27 - 20
	19 - 66		18 - 74		17 - 28	813084	27 - 23
	20 - 19A				17 - 39	813085	27 - 24
	20 - 41						

PART NO.	LIST AND INDEX NO.	PART NO.	LIST AND INDEX NO.	PART NO.	LIST AND INDEX NO.	PART NO.	LIST AND INDEX NO.
813179	17 - 43	815214	13 - 22	1132587	66 - 22	2122255	79 - 2
	18 - 4A	815217	13 - 20		76 - 19	2122256	79 - 71
	19 - 49	815219	13 - 17	1135130	14 - 8	2122257	65 - 83
	20 - 29	815220	13 - 19	1141554	75 - 55		75 - 36
	22 - 6	815224	13 - 14	1143248	50 - 92	2122258	63 - 16
	22 - 10	815225	13 - 14		54 - 63		79 - 30
	27 - 48	815226	13 - 14		71 - 94	2122259	79 - 35
813194	22 - 49	815263	17 - 48	1144956	27 - 104	2122260	79 - 137
	79 - 109		18 - 64	2100264	41A - 51	2122261	79 - 80
813195	15 - 111C		19 - 60	2100878	60 - 1	2122271	79 - 134
	22 - 38		27 - 172	2101310	57 - 3	2122472	63 - 6
	79 - 111	815942	17 - 7	2101326	79 - 42E		79 - 91
813197	15 - 1110		18 - 7	2101327	79 - 57	2122628	79 - 72
	22 - 53		19 - 7	2101338	5 - 89	2122629	79 - 84
	24A - 2E		20 - 1	2101358	5 - 90	2122734	79 - 92
	79 - 110	815946	17 - 5	2101380	65 - 28	2122735	79 - 93
813258	27 - 33		18 - 5		75 - 87	2122837	65 - 75
813261	27 - 33		19 - 5	2101887	23 - 30		75 - 30
813268	27 - 30	815963	17 - 46		26 - 32		79 - 3
813271	27 - 30		18 - 62	2102155	51A - 26	2122838	79 - 4
813318	13 - 6		19 - 58	2102365	65 - 127	2122839	65 - 76
	13 - 11		27 - 170	2102367	27 - 78		75 - 33
	13 - 26	815964	17 - 47		41 - 268		79 - 6
813319	13 - 13		18 - 63		41 - 276	2123028	63 - 8
	13 - 28		19 - 59	2102368	41 - 272		65 - 85
813321	13 - 5		27 - 171	2102369	41 - 284		75 - 34
	13 - 10	821612	24 - 12	2102582	55 - 28	2123029	63 - 7
	13 - 18		24A - 2F	2111232	31A - 26		65 - 86
	13 - 25	824466	12 - 57		41 - 51		75 - 35
813350	79 - 120	824467	12 - 56		41 - 140	2123032	63 - 29
813351	79 - 121	824468	12 - 61		41 - 147		79 - 98
813549	27 - 31	824471	12 - 58		41A - 43	2123033	65 - 84
813678	13 - 7	824476	11 - 20		43 - 43		75 - 37
	13 - 12	824477	11 - 29		58 - 20		79 - 83
	13 - 27	824478	11 - 22		61 - 16	2123034	63 - 13
813681	27 - 32		11 - 22		64 - 8		79 - 94
	79 - 112	824560	11 - 29		64 - 13	2127853	63 - 22
813703	27 - 34	824562	11 - 22		64 - 27	2127859	79 - 143
813706	13 - 21	824563	12 - 61		65 - 30B	2127867	79 - 30A
813760	21 - 121	824567	9 - 16		66 - 8	2127890	79 - 82
813801	17 - 3		12 - 56		66 - 26	2127893	79 - 85
	18 - 3	824569	11 - 20		66 - 36	2127895	79 - 26
	19 - 3	824580	11 - 21		66 - 53	2127984	79 - 36
	20 - 27	827991	79 - 79		75 - 89B	2127985	63 - 21
	27 - 19	838480	24 - 13		76 - 6		63 - 28
	79 - 114		24A - 2G		76 - 23		79 - 99
813802	17 - 2	845762	41 - 96		76 - 35	2127986	79 - 37
	18 - 2	846555	66 - 58F		76 - 54	2127987	65 - 79
	19 - 2		77 - 15A		77 - 6		75 - 32
	20 - 26	855282	15 - 160C	2114043	22 - 16		79 - 5
	27 - 16	855283	15 - 160B		22 - 40	2127988	79 - 87
	79 - 113	1077722	23 - 13		25 - 78	2127989	79 - 95
813803	79 - 120A	1090623	6 - 3		22 - 41	2128689	35 - 66
813804	79 - 121A		7 - 11	2114044	25 - 79		41 - 48
813805	79 - 117		9 - 3		27 - 83		41 - 141
813806	79 - 118		10 - 5	2114110	5 - 31		41 - 158
813807	79 - 115		11 - 3		13 - 1	2129550	17 - 14
815039	17 - 10		11 - 9		21 - 80		18 - 14
	18 - 10		12 - 40	2114111	5 - 30		19 - 13
	19 - 11	1090873	1 - 50		5 - 100		20 - 8
	20 - 5		1 - 94		13 - 2	2130443	79 - 27
	27 - 67		5 - 86		21 - 81	2134542	79 - 14
815080	17 - 29		12 - 15	2114680	22 - 17	2134555	65 - 134
815125	17 - 40		12 - 20	2114681	27 - 84	2134616	79 - 15
	18 - 29		27 - 149	2114849	79 - 42F	2152788	79 - 67
	18 - 57		33 - 41	2114985	63 - 12	2152789	79 - 68
	19 - 34		33A - 38	2122202	63 - 18	2154301	22 - 43
815151	17 - 32		33B - 29		63 - 25	2160821	79 - 129
	18 - 60E		34 - 13		65 - 77	2161570	79 - 16
	20 - 22		36 - 36		75 - 31	2172166	28 - 1
815166	13 - 23		65 - 13		79 - 34	2181002	15 - 160A
815167	13 - 22		65 - 16	2122203	63 - 19		21 - 105
815169	13 - 23		65 - 35		63 - 26	2181008	65 - 137
815171	13 - 22		65 - 115		65 - 78	2391011	27 - 26
815173	13 - 16		78 - 11		75 - 29	2391279	11 - 30
815174	13 - 16	1092019	79 - 73		79 - 29	2414815	64 - 17
815175	13 - 16	1105806	79 - 76	2122214	63 - 17		66 - 54
815204	79 - 119	1127037	30 - 69C	2122215	63 - 15		76 - 55
815205	79 - 116		79 - 50A	2122254	63 - 24		79 - 105
815210	13 - 15	1127763	42 - 24		79 - 97	2414891	79 - 105
						2414970	35 - 44

PART NO.	LIST AND INDEX NO.	PART NO.	LIST AND INDEX NO.	PART NO.	LIST AND INDEX NO.	PART NO.	LIST AND INPLX NO.
2500602	24 - 18 24A- 2H	5213400-CONT	55 - 16 69 - 17	5244093	50 - 41	5253838-CONT	68 - 100
2500603	22 - 14	5213402	47 - 12	5244096	50 - 7	5253839	50 - 81
2500606	24 - 5 24A- 19		47A- 17 48 - 13	5247161	75 - 58	5253840	71 - 69
2500610	21 - 50 21 - 50 21 - 50 22 - REF 65 - 162		48 - 25 49 - 23 51A- 62 72 - 4	5253780	41 - 76 53 - REF	5253845	50 - 81 50 - 53
2511310	24 - 24		72A- 43 72A- 47	5253783	53 - 26 68 - 32		53 - 40 54 - 48
2511311	22 - 23 24 - REF	5213415	74 - 4 65 - 18	5253784	53 - 35 68 - 42	5253847	68 - 56 71 - 82
2511333	22 - 9	5213430	75 - 6	5253786	50 - 92 53 - 88	5257518	43 - 69 35 - 9
2511335	22 - 8	5213431	32 - 1 41 - 14	5253787	53 - 101 68 - 105	5261219	65 - 8 51 - 58
2572724	33B- 54		75 - 6	5253788	53 - 7	5261220	41 - 67 47 - REF
2572725	33B- 94	5213435	32 - 1	5253789	53 - 36		41 - 67
2572726	33B- 88	5213444	41 - 14	5253790	41 - 71 50 - REF	5261223	47A- REF 47 - 84
2572727	33B- 87	5213445	65 - 59 75 - 70	5253793	50 - 35		47A- 56
2572728	33B- 40		29 - 30	5253794	50 - 2		72 - 66
2572729	33B- 48	5213479	23 - 13A		50 - 2		72A- 62
2572733	33B- 92	5213503	52 - 40	5253796	50 - 40	5261226	47 - 91 72 - 77
2572735	33A- 85	5213521	53 - 54 68 - 78	5253797	71 - 41 50 - 101	5261228	47 - 88 47A- 69
2572736	33A- 73	5213521	69 - 58		71 - 104		72 - 70
2572763	47A- 26 72A- 59	5213521	35 - 47 43 - 35	5253798	50 - 7		72A- 53
2572765	47A- 75	5213521	31A- 25	5253799	50 - 41	5261229	47 - 74 47A- 64
2572766	72A- 76 47A- 23	5213728	35 - 139	5253800	41 - 72 50 - REF		48 - 79
2572773	72A- 56 47A- 41	5213765	35 - 18	5253803	50 - 35		49 - 72
2572789	72A- 3	5213799	73 - 10	5253804	71 - 33 50 - 88		72 - 57 72A- 70
2572793	47A- 42 47A- 48 47A- 55 72A- 4 72A- 8 72A- 16 72A- 18 47A- 47	5213803	15 - 82 21 - 21 29 - 29 30 - 32	5253804	54 - 58 71 - 87 50 - 93	5261236	74 - 74 51 - 79 51A- 78
2573845	47A- 48	5213816	30 - 41	5253806	54 - 64 71 - 97	5261239	51 - 19 51A- 17
2611708	47A- 55	5213818	30 - 43	5253807	50 - 22 53 - 23	5261240	41 - 68 48 - REF
2611709	72A- 8	5213874	30 - 47 33B- 24		54 - 27	5261243	48 - 89 49 - 77
2611713	72A- 16	5213922	36 - 23	5253808	68 - 26 71 - 23		74 - 84
2611714	72A- 18	5213925	33B- 83	5253809	50 - 7	5261247	48 - 49 49 - 44
2735	47A- 47	5214094	36 - 49	5253820	50 - 41 50 - 2		74 - 41
4062615	72A- 7	5214104	36 - 109 50 - 12		54 - 2 71 - 5	5261248	48 - 86 49 - 67
4062616	33A- 25	5214153	68 - 15	5253821	50 - 22		74 - 81
4064448	33A- 20	5214330	71 - 16	5253822	50 - 90	5261249	48 - 92 49 - 80
4065157	37 - 23	5219971	58 - 24		53 - 86		74 - 87
4065182	33A- 99	5231749	50 - 12	5253823	54 - 60 68 - 64	5261253	52 - 77 69 - 85
4103594	37 - REF	5235193	24A- 3 33 - 90 33A- 86		71 - 91 50 - 50	5261256	52 - 82 69 - 91
4116231	33B- 25	5235293	5 - 34	5253824	53 - 50 54 - 55		68 - 51
4116433	28A- 10	5235516	40 - 18		68 - 51 71 - 80	5261257	52 - 47 69 - 73
4118360	28A- 13	5236966	15 - 113 15 - 112		50 - 46 53 - 46	5261258	62 - 63 69 - 83
4120172	30 - 58 28A- 1 28A- 16 38 - 14 39 - 14 40 - 14 78 - 7 78 - 16 28A- 9	5236967	41 - 265 35 - 146 69 - 66 33B- 20	5253825	54 - 53 68 - 47 71 - 77	5261259	52 - 65 69 - 80
4121259	30 - 61	5239098	36 - 66		50 - 57	5261266	55 - 98
5210704	30 - 64 33 - 100 38 - 16 39 - 16 40 - 16 78 - 15	5240461	52 - 70 68 - 12 69 - 14		53 - 43 54 - 52	5261267	55 - 86
5212657	39 - 16	5240462	47 - 29 47A- 35	5253826	68 - 59 71 - 86	5261270	71 - 75
5213226	40 - 16		48 - 41 49 - 36		53 - 46 54 - 53	5261276	55 - 41
5213274	78 - 15	5240477	49 - 36 50 - 86	5253826	53 - 96 68 - 73	5261280	41 - 78 55 - REF
5213285	30 - 59 41 - 23 65 - 71 75 - 112		53 - 82 54 - 42 54 - 56	5253827	50 - 28 54 - 30	5261283	55 - 91 55 - 35
5213349	41 - 278		68 - 60 71 - 90		71 - 26 53 - 90	5261288	55 - 89
5213400	64 - 41		72 - 29 72A- 36	5253833	68 - 67 50 - 31	5261289	55 - 82 52 - 11
	79 - 33		74 - 33 33B- 80		53 - 31 54 - 36	5261294	69 - 11 43 - 68
	53 - 69	5241094	71 - 16	5253835	68 - 37 71 - 29	5261296	55 - 37 35 - 31
	68 - 92	5241104	41 - 70		53 - 77	5261304	55 - 39
	53 - 14	5244090	50 - REF	5253838		5261306	52 - 72
	50 - 18					5261307	69 - 12
	51 - 67						
	52 - 51						

PART NO.	LIST AND INDEX NO.	PART NO.	LIST AND INDEX NO.	PART NO.	LIST AND INDEX NO.	PART NO.	LIST AND INDEX NO.
5261313	51 - 18	5261326-CONT	49 - 42	5261412-CONT	72 - 18	5261561	37 - 14
	51A- 13		74 - 39		72A- 27	5261562	37 - 13
	52 - 15	5261327	47 - 33		74 - 23	5261563	37 - 19
5261314	69 - 30		47A- 33	5261416	35 - 62	5261564	33 -108
	31 - 21		48 - 45	5261418	51A- 20		37 - REF
	43 - 82		49 - 40	5261419	51A- 55	5261565	37 - 5
	47 - 28		50 - 88	5261423	51A- 48	5261566	37 - 15
	47A- 73		53 - 84	5261424	43 - 61	5261569	33 - 33
	48 - 39		68 - 62	5261426	35 - 90		33A- 31
	49 - 34		72 - 31	5261428	51 - 23	5261570	35 -142
	50 - 27		72A- 34	5261433	51 - 49	5261572	33 - 32
	51 - 64		74 - 37	5261434	35 - 87		33A- 30
	51A- 77	5261328	48 - 76	5261435	34 - 5	5261573	33 - 31
	52 - 75		49 - 64		34 - 11		33A- 29
	53 - 12		74 - 59	5261436	35 -109	5261574	33 - 30
	54 - 15	5261329	47 - 90		35 -128		33A- 28
	55 - 96		72 - 72	5261437	35 -110	5261576	33 - 5
	68 - 31	5261330	33 - 81		35 -129		33A- 5
	69 - 26		33A- 79	5261438	35 - 13	5261577	33 - 11
	71 - 39	5261353	33 - 21	5261439	338- 26		33A- 12
	72 - 17		33A- 23		36 - 33	5261591	33 - 14
	72A- 29	5261354	47 - 51	5261442	33 - 69		33 - 25
	74 - 22		48 - 75		33A- 64		33A- 15
5261315	31 - 20		49 - 56	5261443	35 - 91	5261592	33 - 22
	43 - 83		51 - 4	5261445	338- 43		33A- 24
	47 - 27		51A- 1		36 - 60		37 - 22
	47A- 74		52 - 33	5261446	35 -108	5261593	33 - 19
	48 - 38		55 - 57	5261448	35 -106	5261594	33 - 13
	49 - 33		69 - 38A		35 -126		33 - 24
	50 - 26		72 - 46	5261449	35 - 45		33A- 14
	51 - 63	5261355	74 - 55	5261450	35 - 59	5261595	33 - 12
	51A- 76		35 - 96	5261451	338- 3		33 - 23
	52 - 74	5261369	52 - 19		36 - 3		33A- 13
	53 - 11		69 - 34	5261452	35 -103	5261596	35 - 97
	54 - 14	5261372	33 - 3	5261453	35 - 63	5261597	33 - 79
	55 - 95		33A- 3	5261454	338- 76		33A- 77
	68 - 30	5261379	31 - 22		36 - 44	5261598	33 - 35
	69 - 25		43 - 84	5261456	35 - 1		33A- 32
	71 - 38		47 - 26	5261457	338- 77	5261599	34 - 20
	72 - 16		48 - 40		36 - 48	5261606	47 - 19
	72A- 28		49 - 35	5261458	338- 25		48 - 20
5261316	74 - 21		50 - 25		36 - 32		49 - 28
	47 - 52		51 - 65		36 - 43		72 - 11
	48 - 70		51A- 75		36 - 68		74 - 10
	49 - 54		52 - 50		75 - 99	5261608	33 - 92
	51 - 3		53 - 10	5261459	338- 38		33A- 88
	51A- 2		54 - 13		36 - 69	5261609	35 - 50
	52 - 31		55 - 97		45 - 8	5261611	33 -107
	55 - 55		68 - 29		46 - 10	5261626	47 - 10
	69 - 37		69 - 90		52 - 62		48 - 11
	72 - 44		71 - 40		67 - 21		55 - 11
	74 - 53		72 - 65		69 - 77		72 - 26
5261317	47 - 54		74 - 60		70 - 15	5261627	47 - 5
	48 - 72	5261381	33 - 10		73 - 12		48 - 5
	49 - 57		33A- 10	5261460	338- 14		55 - 5
	51 - 5	5261382	33 - 28		35 - 24		72 - 21
	51A- 33		33A- 26		36 - 17	5261629	33 - 20
	52 - 28	5261383	33 - 15	5261461	35 - 88		33A- 22
	55 - 58		33 - 26	5261463	35 - 40	5261701	36 - 14
	69 - 49		33A- 16	5261465	35 - 43	5261702	35 - 50
	72 - 60	5261388	338- 50	5261466	338- 70	5261779	48 - 6
	74 - 56		36 -106		36 -118	5261789	47 - 38
5261318	51 - 36	5261389	68 - 11	5261480	41 - 75		47A- 44
	51A- 36	5261412	43 - 16		52 - REF		48 - 55
5261319	47 - 79		47 - 1	5261549	37 - 6		49 - 45
	72 - 63		47A- 1		37 - 16		51 - 8A
5261320	51A- 71		48 - 1	5261550	37 - 12		51A- 6
5261321	51 - 76		49 - 1	5261551	37 - 21		52 - 20
5261322	47 - 23		50 - 1	5261552	37 - 4		55 - 44
	72 - 1		50 - 1		37 - 17		69 - 36
5261323	48 - 29		50 - 42	5261553	37 - 1		72 - 36
	49 - 30		51 - 46		37 - 18		72A- 6
	74 - 1		51A- 46		37 - 8		74 - 42
5261324	47 - 35		52 - 1	5261554	37 - 8	5262000	14 - REF
	47A- 36		53 - 1	5261555	37 - 7		17 - 75
	72 - 33		54 - 1	5261556	37 - 3		
	72A- 37		55 - 1		37 - 20	5262005	14 - 5
5261325	52 - 17		68 - 1	5261557	37 - 2	5262010	14 - 9
	69 - 32		69 - 1	5261558	37 - 9	5262014	14 - 6
5261326	48 - 47		71 - 4	5261559	37 - 11	5262015	14 - 20
				5261560	37 - 10	5262016	14 - 7

PART NO.	LIST AND INDEX NO.	PART NO.	LIST AND INDEX NO.	PART NO.	LIST AND INDEX NO.	PART NO.	LIST AND INDEX NO.
5262017	14 - 18	5276270-CONT	53 - 45	5318967-CONT	66 - 12	5349220	11 - 1
5262018	14 - 17		54 - 43		76 - 8	5349429	4 - 12
5262019	14 - 16		68 - 46	5318968	41 - 181	5349886	28 - 14
5262020	14 - 10		68 - 55		41 - 186	5349887	15 - 106
5262035	30 - 69B	5276271	50 - 45		60 - 5		21 - 70
5262036	30 - 69		50 - 45	5319854	15 - 123		21 - 95
5262037	29 - 64		53 - 38		21 - 49		21 - 95
5262065	14 - 3		53 - 44		25 - 21	5349888	16 - 6
5262096	29 - 65		54 - 44		65 - 161		21 - 101
	30 - 70		68 - 45		71 - 14		28 - 16
5262098	29 - 62		68 - 54	5319888	21 - 58		28A - 2
5262099	30 - 67		71 - 76	5319909	38 - 18	5350006	4 - 24
5262102	29 - 62	5276325	65 - 22		39 - 18		22 - 2
5266044	50 - 76		75 - 2	5323537	57 - 9		22 - 30
	53 - 74	5276375	42 - 2	5327723	61 - 8		25 - 28
	54 - 90		79 - 58	5327807	79 - 28P		25 - 42
	68 - 97	5276380	61 - 5	5331015	15 - 97		25 - 54
	71 - 65	5276474	79 - 18	5343348	65 - 134		25 - 62
5266049	43 - 40	5276475	79 - 19	5347538	22 - 25	5350012	21 - 43
5266157	43 - 8	5276652	75 - 18	5347539	25 - 1		25 - 6
5266286	73 - 13	5276655	75 - 22	5347639	22 - 36		65 - 155
5266294	43 - 85	5276660	66 - 45	5347640	22 - 45	5350020	12 - 52
5266305	43 - 79		76 - 47		24 - 21		12 - 52
5270142	41 - 88	5276661	66 - 55		24A - 4A	5350093	5 - 42
5270177	12 - 6		76 - 56	5347655	22 - 35	5350094	5 - 41
5270179	11 - 13	5276672	75 - 13	5347670	25 - 25	5350095	5 - 40
5270559	29 - 43	5276674	78 - 9	5347673	25 - 22	5350096	5 - 39
	29 - 49	5276683	66 - 15	5347675	25 - 23	5351111	41 - 145
5270566	29 - 42		76 - 12	5347677	25 - 26		57 - REF
5270586	41 - 149	5276703	33 - 62	5347744	25 - 10	5351112	57 - 19
5270651	29 - 41A		33A - 57	5347746	22 - 52	5351113	56 - 9
	29 - 45		65 - 31	5347748	79 - 28Q		57 - 17
	30 - 40A		75 - 90	5347749	79 - 28R		64 - 32
	41 - 81	5276705	66 - 42	5347750	22 - 32		76 - 59
5270652	41 - 146		76 - 30		25 - 57		77 - 1
	61 - 14	5276706	66 - 43		25 - 65	5351114	56 - 8
	65 - 30		76 - 31	5347754	24A - 39		57 - 18
	75 - 89	5276716	75 - 88		24A - 44		64 - 33
5271216	29 - 48	5276892	65 - 46	5347755	24A - 7		77 - 3
5271226	41 - 2		75 - 59	5347756	24A - 8	5351115	56 - 7
	65 - 3	5277303	4 - 8	5347759	24A - 5		57 - 16
	75 - 16	5277305	4 - 8	5347760	22 - 24		64 - 34
5271245	29 - 59	5277307	4 - 8	5347761	22 - 20		77 - 2
5271288	41A - 29	5311306	24A - 6		22 - 22	5351116	56 - 6
	63 - 3		24A - 35		24 - 4		57 - 15
5271669	56 - 3		24A - 38		24A - 10		64 - 35
5271721	79 - 17		24A - 43		24A - 10A	5351120	41 - 155
5271723	79 - 132	5311409	22 - 28	5347762	24 - 16	5351124	57 - 14
5271724	79 - 133	5311415	9 - 20	5347763	24A - 12	5351139	42 - 5
5271785	41A - 22		11 - 24	5348452	4 - 16		58 - 17
5271786	41A - 32		12 - 63	5348453	4 - 15		59 - 3
5271787	41A - 2	5311420	12 - 54	5349002	6 - 13		66 - 9
5271788	41A - 55	5311437	9 - 18		12 - 7		66 - 14A
5271789	41A - 52		11 - 25	5349003	10 - 11		66 - 29
5271790	41A - 53		12 - 64		10 - 18		76 - 7
5271791	41A - 54	5311440	9 - 19		10 - 27		76 - 26
5271792	41A - 10		11 - 26	5349114	2 - 34		77 - 9
5271793	41 - 51A		12 - 65	5349115	2 - 22	5351140	41 - 63
	41A - REF	5311759	54 - 16	5349116	2 - 20		44 - REF
5271795	41A - 12		71 - 16	5349118	2 - 17	5351141	44 - 14
5276181	12 - 60	5312043	25 - 82	5349125	2 - 19		44 - 14
5276187	12 - 55		27 - 2	5349132	7 - 59	5351142	44 - 12
5276241	29 - 8	5312633	64 - 36	5349152	2 - 24	5351143	44 - 1
	31 - REF	5313144	41A - 48		4 - 11	5351145	57 - 4
5276243	31 - 14	5313928	24 - 9	5349174	2 - 28	5351156	41 - 188
5276244	31 - 8		24A - 4	5349192	2 - 34		42 - 4
	31A - REF	5318920	38 - 23	5349195	2 - 28		59 - 2
5276245	31 - 23		39 - 23	5349203	5 - 51		65 - 20
5276247	31A - 30		41 - 57		6 - 10		66 - 28
5276248	31 - 19		41 - 214		7 - 15		75 - 4
5276249	58 - 36	5318966	41 - 180		7 - 22		75 - 101
	59 - REF		41 - 184		7 - 61		76 - 25
5276250	59 - 13		41A - 21		9 - 10	5351157	57 - 2
	66 - 32		60 - 4		10 - 10	5351162	41 - 137
	76 - 29		60 - 6		11 - 16		41 - 161
5276259	43 - 3		65 - 17		12 - 44	5351163	41 - 187
5276265	43 - 5		75 - 5	5349215	1 - 6		42 - 1
5276270	50 - 44	5318967	41A - 23	5349217	11 - 8		59 - 1
	50 - 44		58 - 21	5349218	11 - 2		65 - 19
	53 - 39		60 - 14	5349219	11 - 7		66 - 27

PART NO.	LIST AND INDEX NO.	PART NO.	LIST AND INDEX NO.	PART NO.	LIST AND INDEX NO.	PART NO.	LIST AND INDEX NO.
5357748	17 - 70A	5357852	19 - 74A	5363939-CONT	7 - 54	5364079	5 - 43
5357749	17 - 70	5357853	19 - 74	5363940	7 - 25	5364080	21 -121
5357750	17 - 71A	5357854	18 - 90A	5363941	7 - 23		65 -140
5357751	17 - 71		20 - 55A		7 - 65	5364081	21 -121
5357752	17 - 72A		20 - 57A	5363943	7 - 17		65 -140
5357753	17 - 72	5357855	18 - 90	5363944	6 - 15	5364082	21 -121
5357754	17 - 73A		20 - 55	5363945	12 - 50		65 -140
5357755	17 - 73		20 - 57	5363946	9 - 14	5364083	21 -121
5357756	17 - 74A	5357857	19 - 73	5363947	6 - 8		65 -140
5357757	17 - 74	5357858	19 - 73A		9 - 8	5364085	21 -121
5357760	17 - 76A	5359174	20 - 52A		12 - 45		65 -140
5357761	17 - 76	5359175	20 - 52	5363949	7 - 3	5364086	21 -121
5357762	17 - 77A	5361886	56 - 39	5363954	7 - 49		65 -140
5357763	17 - 77		56 - 58	5363955	7 - 37	5364088	21 -121
5357764	17 - 78A	5361889	56 - 63	5363960	7 - 27		65 -140
5357765	17 - 78	5361890	56 - 38		7 - 39	5364089	21 -121
5357766	17 - 79A	5361891	56 - 37		7 - 51		65 -140
5357767	17 - 79	5361894	42 - 25	5363961	7 - 16	5364090	21 -121
5357768	18 - 75A	5361896	42 - 26	5363962	8 - 5		65 -140
5357769	18 - 75	5361898	42 - 27	5363963	12 - 4	5364098	5 - 73
5357770	18 - 76A	5361899	42 - 28	5363965	9 - 16	5364099	5 - 70
5357771	18 - 76	5361902	44 - 14	5363966	12 - 59	5364126	30 - 2
5357776	18 - 79A	5361903	41 - 64		12 - 59	5364127	32 - 11
5357777	18 - 79		44 - REF	5363967	6 - 7	5364128	30 - 28
5357778	18 - 80A	5362301	79 - 22		9 - 7		32 - REF
5357779	18 - 80	5362302	79 -135		10 - 9	5364133	30 - 81
5357780	18 - 77A	5362303	4 - 2		12 - 47	5364134	30 - 81
	20 - 42A	5362304	4 - 1	5363968	7 - 47	5364135	30 - 81
	20 - 44A	5362305	4 - 1A	5363969	7 - 35	5364136	30 - 81
5357781	18 - 77	5362306	79 - 74		7 - 63	5364137	30 - 16
	20 - 42	5362308	79 - 75	5363971	5 - 5	5364138	30 - 14
	20 - 44	5362314	10 - 1	5363974	5 -108	5364140	41 - 58
5357782	18 - 78A		12 - 1	5363980	5 -108		42 - REF
	20 - 43A	5362315	6 - 11	5363981	5 -108	5364141	41 -299
	20 - 45A		7 - 1	5363982	9 - 12	5364142	41 -299
5357783	18 - 78		9 - 11	5363987	9 - 21	5364143	13 - 44
	20 - 43		10 - 2		11 - 33		41 -299
	20 - 45		10 - 15		12 - 48	5364144	13 - 44
5357784	18 - 83A		12 - 2	5363988	11 - 27		41 -299
5357785	18 - 83	5363819	8 - 3	5363991	11 - 14	5364145	41 -299
5357786	18 - 84A	5363826	4 - REF	5364000	13 - REF	5364148	41 - 47
5357787	18 - 84	5363827	4 - REF	5364011	5 -108	5364149	41 - 45
5357788	18 - 81A	5363830	7 - 8	5364012	5 -108	5364150	41 -234
	20 - 46A	5363839	21 - REF	5364013	13 - 44		63 - REF
	20 - 48A	5363840	21 - REF	5364014	4 - 8	5364151	40 - 23
5357789	18 - 81	5363845	21 - REF	5364015	4 - 8	5364154	41 -130
	20 - 46	5363851	12 - 22	5364016	5 - 26	5364155	29 - 19
	20 - 48	5363859	12 - 25		7 - REF		30 - 22
5357790	18 - 82A	5363861	5 - 15	5364017	5 - 12	5364156	29 - 13
	20 - 47A	5363864	8 - 12		6 - REF	5364158	41 -199
	20 - 49A	5363866	5 - 74	5364018	5 - 1	5364159	29 - 52
5357791	18 - 82	5363869	10 - 33	5364019	5 - 58	5364160	41 -202
	20 - 47	5363873	12 - 66		9 - REF		61 - REF
	20 - 49	5363874	12 - 32	5364023	5 - 93	5364161	41 -185
5357792	18 - 87A	5363875	12 - 12		11 - REF		60 - 3
5357793	18 - 87	5363879	5 - 77	5364024	5 - 54	5364164	41 -183
5357794	18 - 88A	5363881	5 - 81	5364028	5 - 36		65 - 21
5357795	18 - 88		10 - REF	5364029	5 - 49		75 - 8
5357798	18 - 86A	5363883	5 - 55	5364031	5 - 46	5364165	41 -152
	20 - 51A		8 - REF	5364032	5 - 48	5364166	32 - 11
	20 - 53A	5363884	5 - 96	5364033	5 - 37	5364170	41 - 79
5357799	18 - 86		12 - REF	5364041	4 - 8		56 - REF
	20 - 51	5363900	19 - 82	5364042	17 - 20A	5364171	41 - 99
	20 - 53	5363903	7 - 68	5364043	19 - 28	5364178	63 - 30
5357800	18 - 91A	5363907	6 - 17	5364046	7 - 67	5364182	41 - 7
5357801	18 - 91	5363909	5 - 11	5364047	19 - 17	5364183	41 - 4
5357802	18 - 92A	5363919	9 - 23	5364048	4 - 8	5364184	29 - 2
5357803	18 - 92	5363922	5 -108	5364053	18 - 24	5364185	58 - 43
5357804	18 - 89A		13 - 44	5364054	10 - 16	5364186	38 - 24
	20 - 54A	5363923	13 - 44	5364055	12 - 5	5364187	40 - 24
	20 - 56A	5363934	65 -140	5364056	12 - 3	5364188	61 - 18
5357805	18 - 89	5363935	11 - 35	5364057	20 - 12	5364189	41 -262
	20 - 54	5363937	7 - 32	5364058	20 - 14	5364191	41 -256
	20 - 56		7 - 44	5364059	20 - 13	5364192	41 -264
5357806	19 - 72A		7 - 56	5364071	8 - 1	5364193	41 -254
5357807	19 - 72	5363938	7 - 34	5364073	4 - 8	5364197	41A- 25
5357808	19 - 76A		7 - 46		13 - 44		42 - 3
5357809	19 - 76		7 - 58	5364075	13 - 44		58 - 19
5357812	19 - 78A	5363939	7 - 30	5364076	13 - 44		58 - 23
5357813	19 - 78		7 - 42	5364077	4 - 8		58 - 40

PART NO.	LIST AND INDEX NO.	PART NO.	LIST AND INDEX NO.	PART NO.	LIST AND INDEX NO.	PART NO.	LIST AND INDEX NO.
5364197-CONT	60 - 16	5364319	1 - 18	5364538	41 -299	5366769	78 - 2
	66 - 11		1 -283	5364541	41 -194	5366770	75 - REF
	66 - 14	5364350	7 - 68	5364542	30 - 81	5366772	78 - 40
	66 - 14E	5364353	7 - REF	5364543	29 - 39	5366773	75 - 27
	66 - 31	5364354	6 - 17		30 - 38		78 - REF
	76 - 11	5364357	5 - 12	5364544	30 - 75	5368326	25 - 93
	76 - 28		5 - 26		39 - REF		26 - REF
	77 - 7		6 - REF	5364560	41 - 51D	5368327	26 - 47
5364198	41 -182	5364361	5 - 1	5364561	41 -208	5368328	26 - 4
	65 - 19A	5364362	5 - 21		41 -215	5368332	26 - 3
	75 - 7	5364364	9 - 16	5364562	13 - 44	5368333	26 - 1
5364199	41 -260	5364365	9 - 23		41 -299	5368334	22 - 3
5364200	29 - 77	5364368	5 - 58	5364563	41 -299	5368335	22 - 5
	30 - 82		9 - REF	5364564	13 - 44	5368337	22 - 29
	41 - REF	5364374	5 - 55		41 -299	5368339	22 - 54
5364203	29 - 76		8 - REF	5364568	41 -253		25 - REF
5364204	29 - 76	5364378	12 - 61	5364590	30 - 75	5368340	25 - 59
5364205	29 - 76	5364381	65 -140		38 - REF	5368341	25 - 94
5364206	41 -299	5364387	5 - 96	5364591	30 - 78	5368346	25 - 89
5364207	41 -299		12 - REF		40 - REF	5368347	25 - 86
5364208	41 -299	5364392	11 - 35	5364594	31 - 14	5368349	25 - 50
5364209	41 -299	5364395	5 - 93	5364595	30 - 8	5368354	21 - 48
5364210	29 - 73		11 - REF		31 - REF		65 -160
	40 - REF	5364396	5 - 54	5364596	31 - 5	5368355	25 - 55
5364211	41 -257	5364400	5 - REF	5364643	30 - 81	5368393	25 - 61
5364212	41 -251	5364402	10 - 33	5364644	30 - 50	5368396	25 - 58
5364213	41 -252	5364403	5 - 81	5364653	78 - 39		25 - 66
5364216	41 -259		10 - REF	5364654	75 -102	5368588	22 - 52
	41 -263	5364405	12 - 66		77 - REF	5368591	25 - 60
5364218	32 - 5	5364408	5 - 77	5364655	77 - 22	5369641	23 - 18
5364220	41 -192	5364442	5 -109	5364656	66 - 56	5369646	79 -104
	58 - REF		10 - 32		77 - 12	5369654	25 - 11
5364221	64 - 42	5364443	5 -109	5364657	66 - 58G	5369678	22 - 51
5364222	29 - 22		8 - 11		77 - 20	5369696	23 - 2
	32 - REF		10 - 32	5364660	75 - 41		26 - 19A
5364225	41 - 15	5364444	5 -109	5364663	75 - 12	5369697	23 - 33
	41 - 19		10 - 32		76 - REF		26 - 33
	65 - 50	5364445	5 -109	5364664	76 - 58	5369698	23 - 34
	65 - 56	5364446	5 -109	5364665	75 -116		26 - 39
	75 - 63	5364447	5 -109	5364666	75 -116	5369699	23 - 40
	75 -104	5364451	7 - 68	5364667	75 -116		26 - 29
5364226	41 -227	5364452	7 - REF	5364668	75 -116	5369700	23 - 28
5364227	64 - 19	5364454	6 - 17	5364669	75 -116		26 - 35
5364228	64 - 31	5364455	5 - 12	5364673	76 - 57	5369701	23 - 35
5364229	64 - 39		5 - 26	5364674	75 - 23		26 - 34
5364230	41 -240		6 - REF	5364691	65 - 61A	5369702	23 - 32
	64 - REF	5364458	5 - 1		75 - 67	5369704	23 - 25
5364231	41 -299	5364460	5 - 21	5364692	41 - 98		26 - 36
5364233	41 -299	5364463	9 - 23	5364695	75 -117	5369705	23 - 26
	58 - 42	5364464	5 - 58	5365041	65 -141		26 - 37
5364234	61 - 17		9 - REF	5365100	5 - REF	5369706	23 - 29
5364236	41 -299	5364466	10 - 33	5365220	29 - REF		26 - 30
	75 -103	5364467	5 - 81	5365230	30 - REF	5369707	23 - 31
	29 - 76		10 - REF	5365240	65 - REF		26 - 31
5364237	41 -109	5364478	12 - 66	5365428	13 - 44	5369708	23 - 22
5364238	41 -299	5364479	5 - 96	5365429	13 - 44	5369722	24A- 60
5364239	41 -299		12 - REF	5365452	5 - 24	5369727	24A- 63
5364243	41 -299	5364485	11 - 35	5365453	5 - 88	5369730	24A- 64
5364245	41 -299	5364486	5 - 93	5365454	5 - 80	5369731	24A- 65
5364272	64 - 9		11 - REF	5365471	18 - 45	5369756	22 - 47
5364273	29 - 44	5364487	5 - 55	5365473	5 -108	5369762	22 - 52
	30 - 42		8 - REF	5365614	5 - 18	5369764	24 - 23
5364274	75 - 94		5 - 77	5365616	5 - 18		24A- 51
5364275	75 - 97	5364489	18 - 39	5366635	29 - 66	5371671	12 - 21
5364276	58 - 38	5364491	5 - 54		30 - 71	5372742	13 - 8
	66 - 9A	5364498	76 - 9	5366636	41 -210	5372748	15 -124
	76 - 9	5364500	5 - REF	5366637	75 - 56	5372749	15 -122
5364278	41 -299	5364501	32 - 4	5366644	75 - 21	5372760	1 - 57
5364279	41 -299	5364505	39 - 24	5366647	75 - 25	5372775	1 - 24
5364282	41 -299	5364510	41 -164	5366648	75 - 24		1 - 34
5364286	41 -299	5364511	58 - 26	5366656	75 -116		1 - 81
5364294	29 - 76	5364513	58 - 32	5366663	79 -106		1 -107
5364295	41 - 38	5364514	58 - 33	5366744	41 -299	5372789	41 -319
5364296	41 - 41	5364515	58 - 29	5366745	60 - 18	5372795	15 - 69
5364297	29 - 16	5364516	29 - 26	5366746	41 -196		21 - 61
5364298	42 - 29	5364518	29 - 70		60 - REF		21 - 84
5364309	1 - 18		39 - REF	5366748	60 - 17	5372797	1 - 77
	1 -283	5364522	41 -299	5366767	75 -116	5372804	1 -340
5364312	5 - 18	5364529	58 - 16	5366768	75 - 27	5372821	15 -133
5364317	1 - 18	5364530	41 -299		78 - REF	5372823	15 -137
	1 -283	5364531	58 - 8				

PART NO.	LIST AND INDEX NO.	PART NO.	LIST AND INDEX NO.	PART NO.	LIST AND INDEX NO.	PART NO.	LIST AND INDEX NO.
5372824	15 -138	5373134	2 - 3	5400501	15 - 16	5403691	1 -104
5372831	1 - 73	5373169	1 - 19	5400502	15 - 6	5403692	1 -104
5372855	1 - 60	5373170	1 - 20	5400503	15 - 15	5403693	1 -104
5372858	1 - 66	5373176	1 -118	5400504	15 - 70	5403694	1 -114
	1 - 78		1 -153	5400510	1 -106		1 -308
	1 -316		1 -282		1 -287	5403695	1 -114
	1 -341	5373177	1 -154	5400511	1 -106		1 -308
	21 - 18		1 -281		1 -287	5403696	1 -114
5372866	1 - 21	5373178	1 -178	5400512	1 -106		1 -308
	1 -317	5373179	1 -179		1 -287	5403697	1 -114
5372877	1 - 59	5373223	17 - 11	5400513	1 -106		1 -308
5372878	15 -132		18 - 11		1 -287	5403698	1 - 31
5372883	1 -198		19 - 10	5400515	1 - 23		1 -329
	1 -204		20 - 6		1 -319	5403699	1 -329
	1 -279	5375636	12 - 59	5400516	1 - 23	5403700	1 -329
	1 -313	5376712	66 - 5		1 -319	5403701	1 -329
5372884	1 -311		76 - 1	5400517	1 - 23	5403741	1 -246
5372893	1 - 44	5376713	66 - 6		1 -319	5403763	1 -115
5372894	1 - 45		76 - 2	5400518	1 - 23	5403786	1 -119
5372895	1 - 41		12 - 9		1 -319		1 -155
	1 - 88	5383169	10 - 29	5400519	1 -270		1 -180
5372905	1 - 4	5383174	25 - 35	5400520	1 -144	5403792	5 -110
5372921	1 -133	5391340	25 - 34	5400573	1 - 16	5403812	15 - 20
	1 -169	5391385	22 - 51	5400574	27 -168		21 - 9
	1 -222	5391389	22 - 51	5400603	15 - 17K	5403816	15 - 9
	1 -237	5391390	25 - 39	5400612	1 - 12	5403817	1 -189
	1 -261	5391392	25 - 27	5400613	1 - 15	5403879	1 - 71
5372922	1 -124	5391393	22 - 52	5400631	1 -190	5403918	18 - 93A
	1 -213	5391403	22 - 52	5400632	1 -215	5403919	18 - 93
	1 -252	5391404	22 - 52	5400633	1 -224	5404480	79 - 22A
5372985	21 -122	5391416	24A - 66	5400634	1 -203	5404827	41 - 97
5372986	1 - 75	5391417	25 - 85		1 -207	5407422	1 - 65
	1 -335	5391434	26 - 2	5400635	1 -216		1 -105
5372987	1 - 74	5391444	22 - 52	5400639	15 - 17D		1 -286
	1 -336	5391450	25 - 84	5400640	15 - 17E	5407435	1 -197
5372989	1 -334	5391473	25 - 53	5400648	27 -114	5407436	1 -192
5372990	27 -182	5391474	25 - 81	5400650	27 -115	5407476	1 -182
5372998	1 -171	5391475	22 - 1	5400655	27 -112	5407506	41 -300
5372999	1 -201	5393036	15 - 73	5400656	27 - 98	5407507	21 - 42
5373000	1 -263	5393037	15 - 74	5400657	27 - 99		65 -154
5373001	1 -254	5393067	21 - 17	5400658	27 -110	5407558	1 - 48
5373002	1 -215	5393090	1 -309	5400661	27 -128		1 - 92
5373003	1 - 61	5393093	20 - 62	5400662	27 -128	5407559	1 - 54
	1 -101	5393095	20 - 64		27 -127		1 - 98
5373004	1 -116	5393123	21 - 54	5400663	27 -134	5407562	1 - 53
	1 -116	5393203	15 - 1	5400666	27 - 5		1 - 97
	1 -277	5393210	15 - 17C	5400672	27 - 95	5407563	1 -168
5373028	1 -188	5393211	1 - 13	5400675	27 - 37	5407564	1 -166
5373031	1 -203	5393212	1 - 10	5400689	27 -166	5407565	1 -140
5373035	1 - 29	5393222	1 - 14	5400709	27 - 54		1 -174
	1 - 39	5393226	15 - 3	5400719	79 - 28W		1 -227
	1 - 86	5393226	1 - 8	5400727	27 - 46		1 -240
	1 -112	5393915	1 - 8	5400736	27 - 73		1 -264
	1 -290	5397712	5 - 21	5400737	27 -183	5407566	1 -167
	1 -324		1 - 32	5400738	27 -183	5407568	1 -135
5373047	21 - 57	5397713	1 -330	5400739	27 -183		1 -160
5373048	1 -126		1 -330	5400740	27 -183		1 -220
	1 -148	5397714	1 - 32	5400741	27 -183		1 -235
	1 -211		1 - 32	5400742	27 -183		1 -259
	1 -250	5397715	1 - 32	5400743	27 -183	5407700	20 - 60A
	1 -274		1 -330	5400744	27 -183		20 - 61A
5373051	1 -146	5397716	1 - 55	5400745	27 - 63A	5407701	20 - 60
	1 -193		1 - 99	5400750	21 - 53		20 - 61
	1 -272	5397728	1 - 79		27 - REF	5408084	27 -109
5373059	1 -199		1 -284	5400753	27 -132A	5408090	27 -103
5373060	1 -152	5397729	1 - 79	5400770	21 - 53A	5408095	27 -102
	1 -276		1 -284		27 - REF	5408097	27 -105
5373063	1 -150	5397731	1 - 79	5400778	27 -121	5408098	27 -107
	1 -186		1 -284	5400781	27 -116	5408113	27 - 94
	1 -195	5397732	1 - 79	5400788	27 -183	5412547	13 - 39
5373097	2 - 5		1 -284	5400789	27 -183	5412548	13 - 39
5373107	10 - 13	5397801	1 -207	5400821	27 - 47	5412817	79 -103
5373108	10 - 20	5397802	1 -156	5400835	41 -249	5418113	1 -138
5373110	8 - 8	5397869	15 - 86	5400836	41 -247		1 -172
5373126	2 - 32		15 - 88	5403472	1 -255		1 -225
5373128	2 - 8		21 - 25	5403686	1 - 64		1 -242
5373129	2 - 32	5399673	41 - 14A	5403687	1 - 64		1 -266
5373130	1 - 1		41 -144	5403688	1 - 64	5418114	1 -183
	2 - REF	5400448	1 - 69	5403689	1 - 64		1 -183
5373131	1 - 2		1 -332	5403690	1 -104	5418131	1 -171
	2 - REF	5400500	15 - 14				

PART NO.	LIST AND INDEX NO.	PART NO.	LIST AND INDEX NO.	PART NO.	LIST AND INDEX NO.	PART NO.	LIST AND INDEX NO.
5418132	1 -224	5443255	2 - 25	5477952	65 -119A	5703217	36 - 79
5418134	1 -231		4 - 9	5477953	65 -119C	5703218	36 - 90
5418135	1 -239	5443256	2 - 25	5477962	1 - 8	5703219	36 - 82
5418142	15 - 17J		4 - 9	5477977	21 -118	5703220	33B- 4
5418145	1 -120	5443257	4 - 19		41 -325		36 - 8
5418146	1 -128	5443258	4 - 19		65 -170	5703221	36 - 76
5418147	1 -129	5443259	4 - 23		75 - 54D	5703222	36 - 73
5418148	1 -137	5443260	4 - 20	5495780	56 - 4	5703223	33 - 86
5418181	1 -165	5443261	2 - 1	5495783	56 - 36		33A- 84
5418185	1 -137	5443262	2 - 15	5495785	41 -299		35 - REF
5418257	1 - 46	5443263	2 - 30	5495827	56 - 56	5703224	35 -146
5418258	1 - 90	5443264	2 - 30	5672386	72A- 51	5703226	35 -113
5418270	1 -293	5443265	2 - 13	5700591	79 - 28S	5703228	35 - 83
	1 -327	5443266	2 - 13	5700640	6 - 12	5703229	35 -116
5420366	1 -306	5449014	18 - 47		7 - 2	5703230	33B- 68
5420367	1 -295	5449032	19 - 15	5700650	33 -100		35 -114
5420368	1 -307	5462020	18 - 60A		33A- 98		36 - 87
5420369	1 -298		19 - 42	5702900	27 - REF	5703231	35 -100
5420370	1 -300		20 - 24F	5702957	27 - 60	5703233	35 - 98
5420372	1 -297	5462355	15 -150	5702958	27 - 61	5703234	35 -117
5420373	1 -296	5462363	18 - 60J	5702959	27 - 62	5703235	35 -121
5420375	1 -287	5462364	65 -173	5702960	27 - 55	5703236	35 - 72
5420376	1 -287	5462367	15 -146	5702966	27 -122	5703237	35 - 85
5420377	1 -287	5462368	41 -311	5702968	27 -101	5703238	35 - 3
5420378	1 -287	5462369	41 -312	5702973	27 - 70	5703239	35 - 2
5420380	1 -319	5462378	41 -310	5702975	27 - 89	5703241	35 - 46
5420381	1 -319	5469508	21 -117	5702976	27 - 68	5703242	33 - 17
5420382	1 -319		41 -324	5702977	27 - 64		33A- 18
5420383	1 -319		65 -169		27 - 81	5703243	33 - 16
5420384	1 -129		75 - 54F	5702978	27 - 66		33A- 17
5420385	1 -156	5469509	21 -115		27 - 82	5703244	35 - 57
5420386	1 -216		41 -322	5702987	27 - 76B	5703245	36 - 97
5420447	1 -263		65 -167	5702990	27 - 76A	5703246	33 - 6
5420448	1 -239		75 - 54A	5702995	27 -135		33A- 6
5420449	1 -255	5469510	21 -113	5702996	27 -137	5703247	33 - 70
5420450	1 -231		41 -320	5702998	27 -128A		33A- 65
5421373	1 -315		65 -165	5702999	27 -158	5703248	33 - 68
5421374	41 -317		75 - 53	5703000	27 -157		33A- 63
5421375	41 -308	5474663	65 -135	5703001	27 -161	5703249	33 - 66
5421376	41 -306	5474664	65 - 14	5703002	15 - 61		33A- 61
5421379	41 -301		66 - REF		27 -123	5703250	35 - 94
5421427	1 -181	5474665	66 - 69		27 -129	5703251	33 - 27
5421462	15 -160	5474666	65 - 5	5703003	15 - 60	5703252	37 - 23
	21 -112	5474667	65 -120		27 -133	5703253	33 - 44
5421463	15 -152	5474668	65 - 11	5703004	27 -165		33A- 40
	21 -103	5474669	65 -122	5703006	27 -128D	5703255	33 - 55
5421479	21 -100	5474671	65 -112		27 -132D		33A- 51
5421481	21 - 77	5474673	65 -104	5703007	27 - 28	5703256	33 - 47
5422643	15 -111G	5474674	65 -109	5703008	27 -167A		33 - 51
5422644	15 -111A	5474675	65 -105	5703009	27 - 75		33A- 43
5428141	17 - 24	5474676	65 -106	5703052	27 -120		33A- 47
	18 - 24A	5474677	65 -108	5703154	27 -165A	5703257	33B- 15
5428142	17 - 35	5474678	65 -107	5703155	27 - 90		35 - 25
	20 - 15	5474690	65 -134	5703158	27 - 12		36 - 19
5428337	17 - 19	5474691	65 -134	5703197	79 - 28T		36 - 24
	41 - 26	5474692	65 -134	5703200	29 - 67	5703258	33B- 16
5428338	17 - 20	5474693	65 -134		29 - 67		35 - 23
5428339	17 - 18	5474694	65 -134		33 - REF		36 - 18
	18 - 23	5474695	65 -134		33A- REF		36 - 25
	19 - 16	5474696	65 -110	5703202	33 - 88	5703259	33B- 46
	20 - 19	5474701	21 -114		36 - REF		36 -102
5437762	24A- 11		41 -321	5703203	36 -129	5703260	33B- 17
5440636	13 - 44		65 -166	5703204	36 - 53		35 - 26
	19 - 37		75 - 54	5703206	33B- 60		36 - 20
	20 - 24B	5474710	65 - 1		36 - 50	5703262	33 - 82
5440638	20 - 24B	5474733	15 - 43	5703207	33B- 22		33A- 80
5440639	18 - 60J	5474734	15 -160D		36 - 30	5703264	33B- 12
	19 - 37	5474736	15 -129	5703209	36 -126		35 - 21
5443180	21 - 75H	5474758	41 -328	5703210	36 -103		36 - 15
5443181	21 - 75K	5474759	75 - 54G	5703211	33B- 51	5703265	33B- 33
5443184	21 - 75F	5474858	15 - 17D		36 -105		36 - 40
5443185	21 - 75D	5474859	15 - 17E	5703212	33B- 9	5703266	35 -142
5443186	21 - 75	5474861	15 - 17F		36 - 9	5703267	36 -107
5443212	15 -154	5477935	41 - 27	5703213	33B- 5	5703269	36 -116
	21 -106	5477936	41 - 28		36 - 5	5703276	27 - 71
5443249	4 - 13	5477939	41 -258	5703214	33B- 8	5703279	27 - 58
5443250	4 - 13	5477940	41 -261		36 - 4	5703282	27 -146
5443252	2 - 11	5477945	65 -119H	5703215	33B- 1	5703283	27 -154
5443253	2 - 29	5477946	65 -119G		36 - 1	5703284	27 -151
5443254	2 - 29	5477947	65 -119M	5703216	36 -100	5703285	27 -143

PART NO.	LIST AND INDEX NO.	PART NO.	LIST AND INDEX NO.	PART NO.	LIST AND INDEX NO.	PART NO.	LIST AND INDEX NO.
5703286	27 -145	5712030	41 - 74	5762429	35 -132		
5703287	27 -156A		51A- REF	5762466	53 - 68		
5703328	27 - 51	5712033	36 - 21		68 - 91		
5708902	41 - 65	5712034	33 - 97	5762573	33A- 89		
	45 - REF		33A- 95	5765808	19 - 79A		
	65 - 67	5712035	36 - 57	5765809	19 - 79		
	75 - 76	5712036	36 - 54	5765810	19 - 81A		
5708903	41 - 66	5712037	36 - 84	5765811	19 - 81		
	46 - REF	5712038	36 - 70	5780950	19 - 77A		
5708904	65 - 69	5712039	33 - 1	5780951	19 - 77		
	73 - REF		33A- 1	5783222	65 - 87		
	75 - 78		34 - REF	5800530	79 -131		
5708926	45 - 9	5712043	33B- 64	5800610	79 - 59		
5708927	46 - 11		36 - 64	5800659	79 - 63A		
5708932	54 - 8	5712044	35 - 33	5800660	79 - 63B		
	65 - 65	5712046	35 - 27	5800662	79 - 63C		
	70 - REF	5712100	65 - 66	5800664	79 - 63D		
	75 - 74		71 - REF	5800665	79 - 63E		
5708934	65 - 62		75 - 75	5800666	79 - 63F		
	67 - REF	5712120	41 - 61	5800667	79 - 63G		
	75 - 71		43 - REF	5800668	79 - 63H		
5708938	33 - 60	5712123	43 - 56	5800669	79 - 63J		
	33A- 56	5712140	65 - 70	5800670	79 - 63K		
5708939	43 - 9		74 - REF	5800674	79 - 63M		
	47 - 6		75 - 79	5800677	79 - 63L		
	47A- 4	5712160	41 - 77	5802225	13 - 44		
	48 - 7		54 - REF	5802236	22 - 50		
	49 - 6	5712163	54 - 41	5802425	13 - 44		
	51 - 40B	5712166	54 - 93	5802426	13 - 44		
	51A- 41	5712167	54 - 40	5802427	13 - 44		
	52 - 6	5712168	54 - 84	5802428	13 - 44		
	55 - 6	5712169	54 - 33	5802429	13 - 44		
	69 - 6	5712173	54 - 9	5802430	13 - 44		
	71 - 7	5712180	65 - 63	5802431	13 - 44		
	72 - 22		68 - REF	5802434	13 - 44		
	72A- 21		75 - 72	5802435	13 - 44		
	74 - 27	5712480	65 - 64	5802436	13 - 44		
5709006	33 - 7		69 - REF	5802437	13 - 44		
	33A- 7		75 - 73	5802439	13 - 44		
5709058	48 - 52	5713516	67 - 22	5802440	13 - 44		
	49 - 46		70 - 16	5802441	13 - 44		
5709059	33 - 78A	5713599	68 - 43	5802924	13 - 44		
	33A- 76	5713600	68 - 7	5802928	21 -121		
5709300	41 - 69	5719453	29 - 9		65 -140		
	49 - REF	5729268	1 -277	5802929	21 -121		
5709323	71 - 42	5730854	52 - 3		65 -140		
5709325	71 - 10		69 - 3	5802945	13 - 44		
5709380	51 - 21	5732323	30 - 46	5802946	13 - 44		
5709381	47 - 37	5738338	47A- 29	5805019	79 -101		
	47A- 38		72 - 28	5810946	25 - 12		
	72 - 35		72A- 32	5811287	27 - 45		
	72A- 39	5740008	28A- 6	5811289	27 - 46		
5709382	51A- 19	5740086	21 - 74	5811335	27 - 47		
5709383	55 - 43		28 - REF	5815828	79 - 63		
5709464	53 - 5	5740087	21 - 74	5820580	65 -130		
	68 - 2		28A- REF	5820594	66 - 14F		
5712000	30 - 72	5740089	28 - 19	5820770	15 - 69A		
	33 - REF		28A- 22		21 - 62		
5712003	33 - 86	5758602	34 - 1	8019065	30 - 11		
	35 - REF	5758605	65 - 43	8026380	30 - 35		
5712004	35 -123	5758615	34 - 2	8026896	30 - 9		
5712008	33 -103	5758616	34 - 3	8027125	30 - 19		
5712010	41 - 73	5759610	34 - 4	8027126	30 - 54		
	51 - REF	5760229	65 -134				
5712020	65 - 68	5761493	33 - 8				
	65 - 68		33A- 8				
	72 - REF	5761907	47A- 24				
	72A- REF		72A- 57				
	75 - 77	5762034	33B- 90				
	75 - 77	5762086	43 - 47				
5712023	33 - 73	5762119	35 - 12				
	33A- 69	5762133	35 - 7				
5712024	33 - 99	5762386	47A- 22				
	33A- 97		49 - 29				
5712025	33 - 75		51A- 70				
	33A- 71		72A- 46				
5712026	36 - 27	5762407	47A- 8				
5712027	34 - 18		49 - 5				
5712028	34 - 17		72A- 24				
5712029	36 - 26		74 - 26				

READER'S COMMENT FORM

2050 Processing Unit

S123-0420-4

● How did you use this publication?

- As a reference source
- As a classroom text
- As

● Based on your own experience, rate this publication...

- | | | | | | |
|------------------------|-------|-------|-------|-------|-------|
| As a reference source: | | | | | |
| | Very | Good | Fair | Poor | Very |
| | Good | | | | Poor |
| As a text: | | | | | |
| | Very | Good | Fair | Poor | Very |
| | Good | | | | Poor |

● What is your occupation?

● We would appreciate your other comments; please give specific page and line references where appropriate. If you wish a reply, be sure to include your name and address.

● Thank you for your cooperation. No postage necessary if mailed in the U.S.A.

..... CUT ALONG THIS LINE

YOUR COMMENTS, PLEASE

Your answers to the questions on the back of this form, together with your comments, will help us produce better publications for your use. Each reply will be carefully reviewed by the persons responsible for writing and publishing this material. All comments and suggestions become the property of IBM.

Please note: Requests for copies of publications and for assistance in utilizing your IBM system should be directed to your IBM representative or to the IBM sales office serving your locality.

fold

fold

FIRST CLASS
PERMIT NO. 419
POUGHKEEPSIE, N.Y.

BUSINESS REPLY MAIL
NO POSTAGE STAMP NECESSARY IF MAILED IN THE UNITED STATES



POSTAGE WILL BE PAID BY

**IBM CORPORATION
P.O. BOX 390
POUGHKEEPSIE, N.Y. 12602**

ATTENTION: PARTS CATALOGS, DEPT. B97

fold

fold

0902

2050

TAB INSERT FOR FRONT COVER

S123-0420-4

IBM 2050 Printed in U.S.A. S123-0420-4

IBM

**International Business Machines Corporation
Data Processing Division
1133 Westchester Avenue, White Plains, New York 10604
[U.S.A. only]**

**IBM World Trade Corporation
821 United Nations Plaza, New York, New York 10017
[International]**